



US00D821787S

(12) **United States Design Patent**  
**Wang**

(10) **Patent No.:** **US D821,787 S**  
(45) **Date of Patent:** **\*\* Jul. 3, 2018**

(54) **HEADPHONE STAND WITH CORD REEL**

- (71) Applicant: **Xiaopeng Wang**, San Jose, CA (US)
- (72) Inventor: **Xiaopeng Wang**, San Jose, CA (US)
- (73) Assignee: **M&O electronics, Inc.**, San Jose, CA (US)

- (\*\*) Term: **15 Years**
- (21) Appl. No.: **29/600,011**
- (22) Filed: **Apr. 8, 2017**

**Related U.S. Application Data**

- (63) Continuation-in-part of application No. 29/599,705, filed on Apr. 6, 2017.

(30) **Foreign Application Priority Data**

- Feb. 28, 2017 (CN) ..... 2017 3 0054463
- Mar. 9, 2017 (CN) ..... 2017 3 0066828

- (51) **LOC (11) Cl.** ..... **06-06**
- (52) **U.S. Cl.**  
USPC ..... **D6/682**

- (58) **Field of Classification Search**  
USPC ..... D6/675, 675.1–675.2, 682, 700–701;  
D14/205, 209.1  
CPC .. G10G 5/00; G10G 5/005; A47F 5/00; A47F  
5/0081; A47F 7/005  
See application file for complete search history.

(56) **References Cited**

**U.S. PATENT DOCUMENTS**

- D645,027 S 9/2011 Gougherty et al.
- D645,865 S \* 9/2011 Diehl ..... D14/299
- D684,145 S 6/2013 Rath
- D729,257 S \* 5/2015 Floersch ..... D14/451
- D737,606 S \* 9/2015 King ..... D6/682

(Continued)

**OTHER PUBLICATIONS**

“Headphone Partner with Cable Reel”, by M & O Electronics, Found Online [May 9, 2017] <http://mo-electronics.com/image/123554232.jpg>.

(Continued)

*Primary Examiner* — Kelley Donnelly

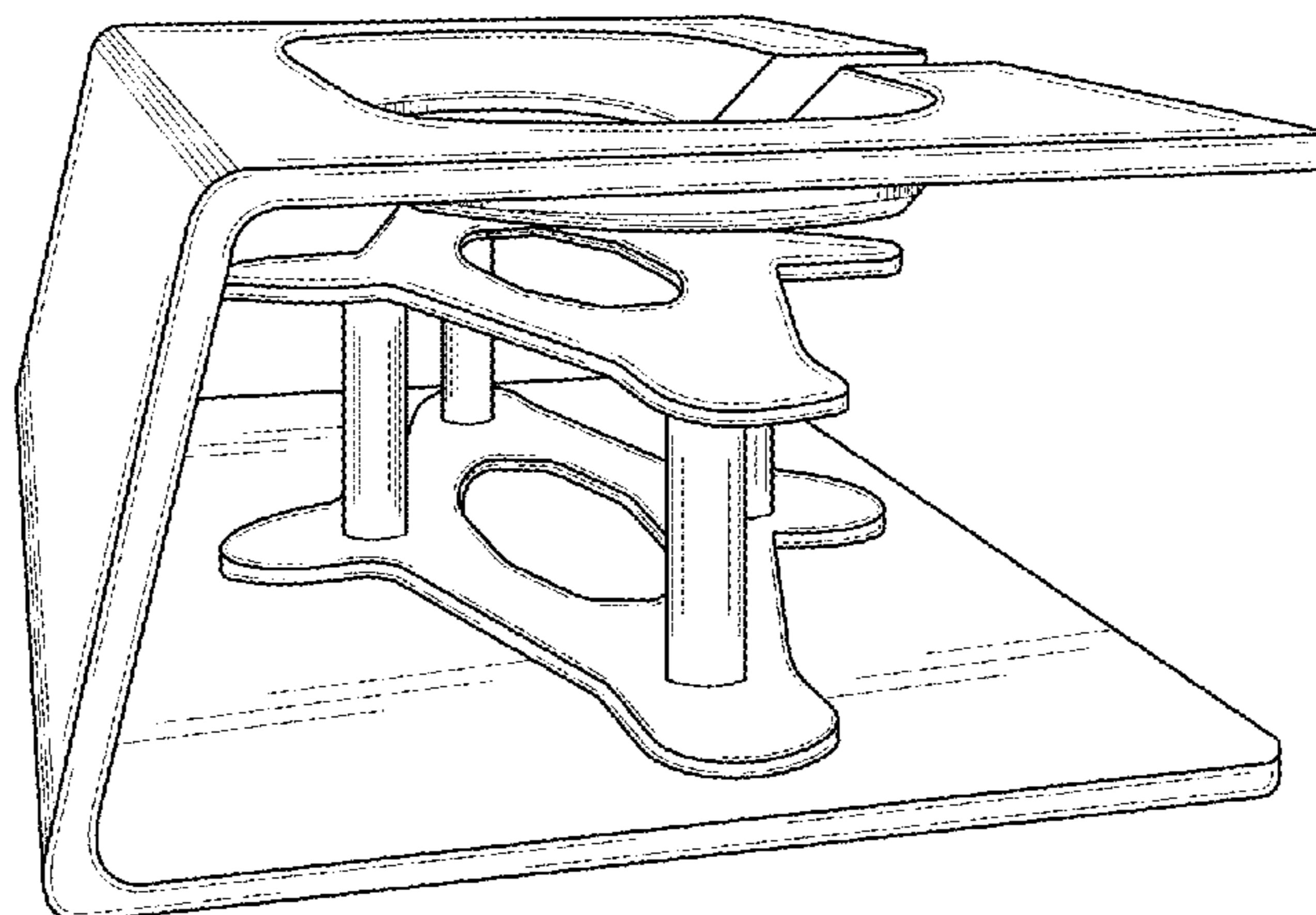
(57) **CLAIM**

The ornamental design for a headphone stand with cord reel, as shown and described.

**DESCRIPTION**

FIG. 1 is a front right-top perspective view for a headphone stand with cord reel, showing my new design;  
 FIG. 2 is a front elevational view of FIG. 1 thereof;  
 FIG. 3 is a rear elevational view of FIG. 1 thereof;  
 FIG. 4 is a left side elevational view of FIG. 1 thereof, the right side elevational view being a mirror image;  
 FIG. 5 is a top plan view of FIG. 1 thereof;  
 FIG. 6 is a bottom plan view of FIG. 1 thereof;  
 FIG. 7 is a front right-top perspective view for the headphone stand of FIG. 1 without the cord reel thereof;  
 FIG. 8 is a rear left-bottom perspective view of FIG. 7 thereof;  
 FIG. 9 is a rear elevational view of FIG. 7 thereof;  
 FIG. 10 is a left side elevational view of FIG. 7 thereof, the right side elevational view being a mirror image;  
 FIG. 11 is a top plan view of FIG. 7 thereof;  
 FIG. 12 is a bottom plan view of FIG. 7 thereof;  
 FIG. 13 is a front top perspective view for the cord reel of FIG. 1 without the headphone stand thereof;  
 FIG. 14 is a front elevational view of FIG. 13 thereof, the rear elevation view being a mirror image;  
 FIG. 15 is a left side elevational view of FIG. 13 thereof, the right side elevational view being a mirror image;  
 FIG. 16 is a top plan view of FIG. 13 thereof; and,  
 FIG. 17 is a bottom plan view of FIG. 13 thereof.

**1 Claim, 17 Drawing Sheets**



(56)

**References Cited**

U.S. PATENT DOCUMENTS

D743,955 S	*	11/2015	Wu	.....	D14/253
D755,796 S	*	5/2016	Gibson	.....	D14/447
D765,623 S		9/2016	Yang et al.		
D773,201 S	*	12/2016	Cardell	.....	D6/406.1
D780,490 S	*	3/2017	James	.....	D6/682
D786,593 S	*	5/2017	Almaghlouth	.....	D6/692.4
D788,080 S		5/2017	Turksu et al.		
D796,277 S	*	9/2017	Stiffel	.....	D7/701
D799,464 S	*	10/2017	Zaihui	.....	D14/252
D805,581 S	*	12/2017	Chang	.....	D19/75

OTHER PUBLICATIONS

“Headphone Partner with Cable Reel”, by M & O Electronics, Found Online [May 9, 2017] <http://mo-electronics.com/image/123554233.jpg>.

“Automatic winder mini headphone cable reel”, by Chitwan cable reel, Found Online [May 9, 2017] [https://is.alicdn.com/img/pb/881/451/834/834451881\\_985.jpg](https://is.alicdn.com/img/pb/881/451/834/834451881_985.jpg).

“Wire Organizer Set”, by Graphics and More, Found Online [May 9, 2017] [https://images-na.ssl-images-amazon.com/images/I/51z9h9fQMfL.\\_SL1001\\_.jpg](https://images-na.ssl-images-amazon.com/images/I/51z9h9fQMfL._SL1001_.jpg).

“Spool Earphone Tidy—earphone holder & earphone cable tidy”, by Cubic, Found Online [May 9, 2017] [https://images-na.ssl-images-amazon.com/images/I/61O3OATC70L.\\_SL1000\\_.jpg](https://images-na.ssl-images-amazon.com/images/I/61O3OATC70L._SL1000_.jpg).

\* cited by examiner

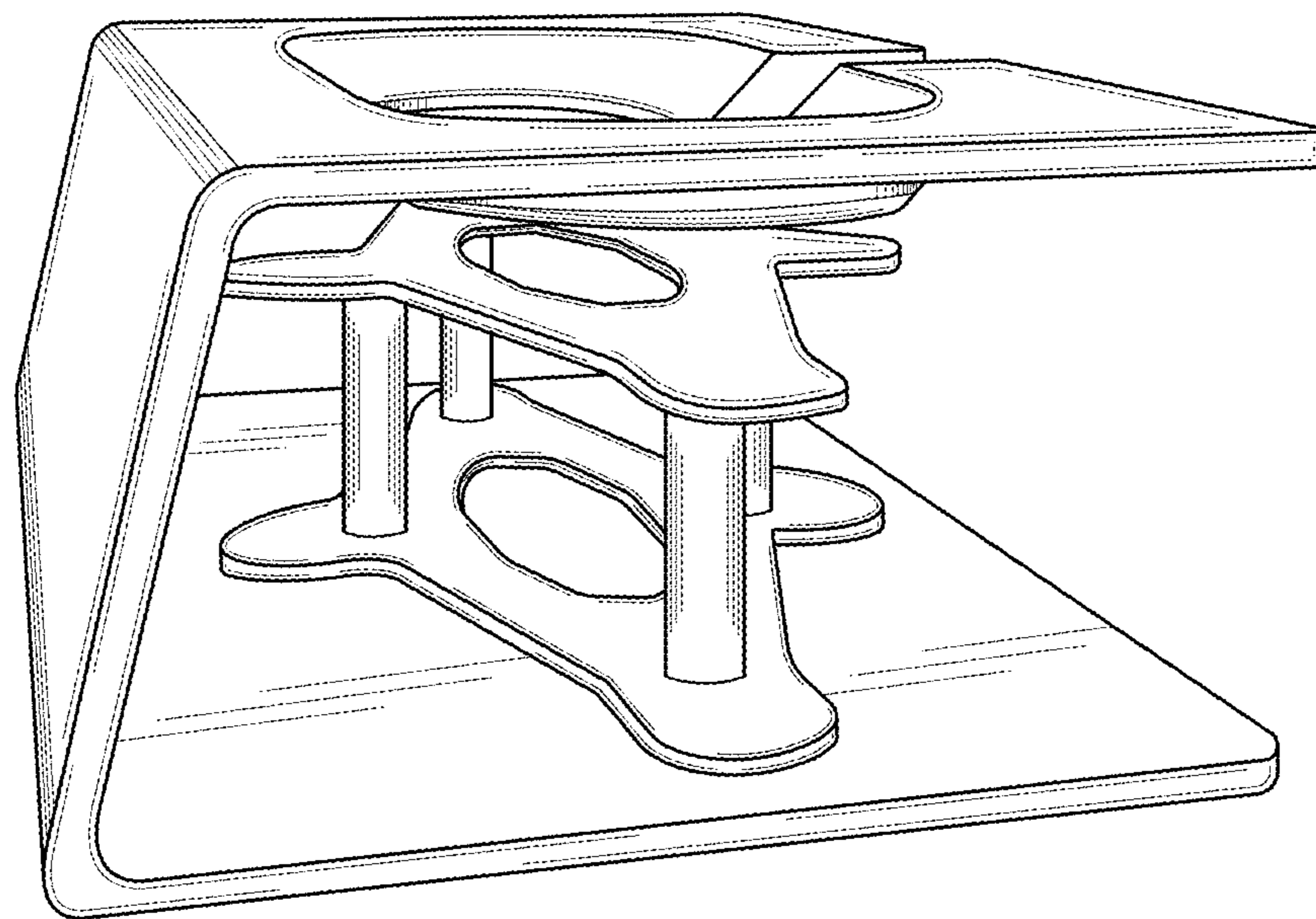
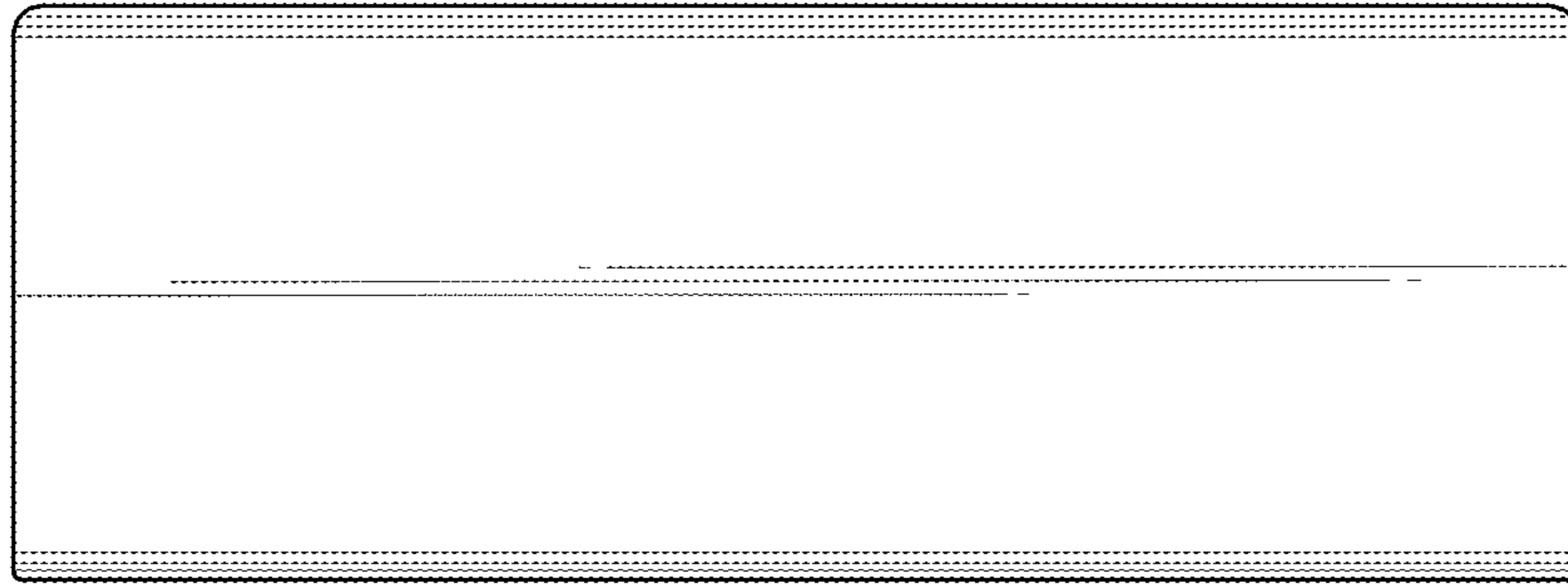


FIG. 1



**FIG. 2**

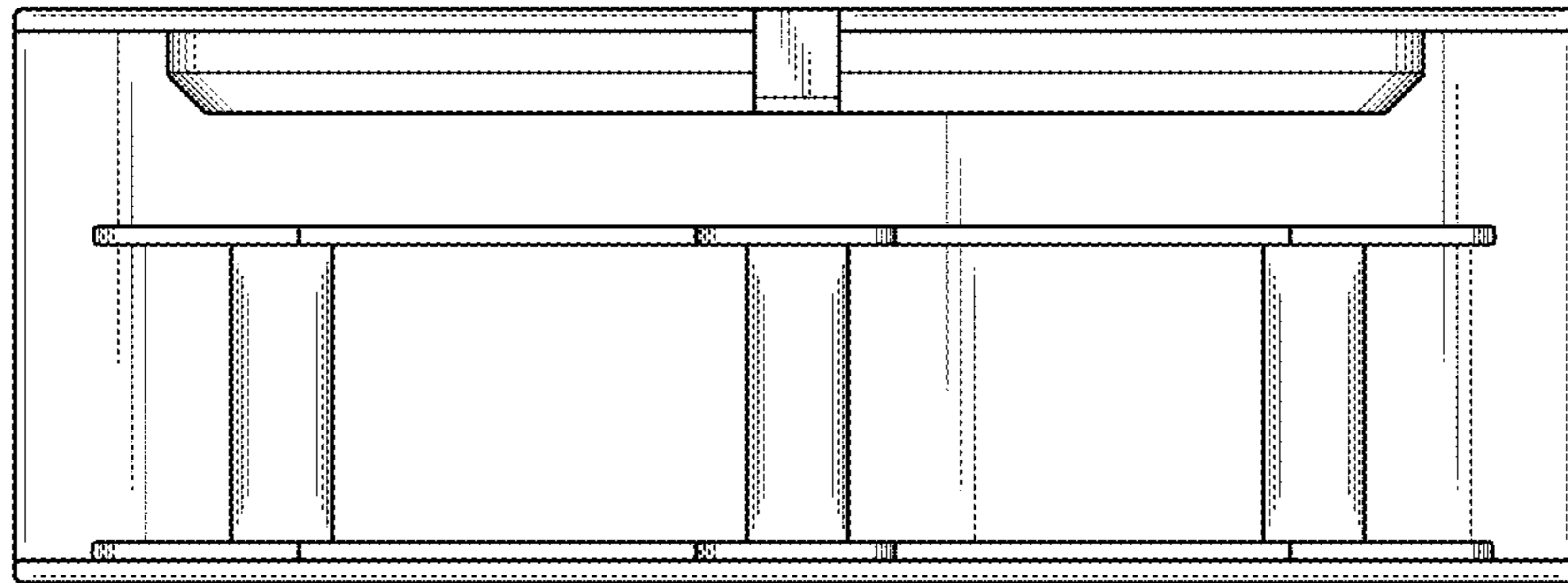


FIG. 3

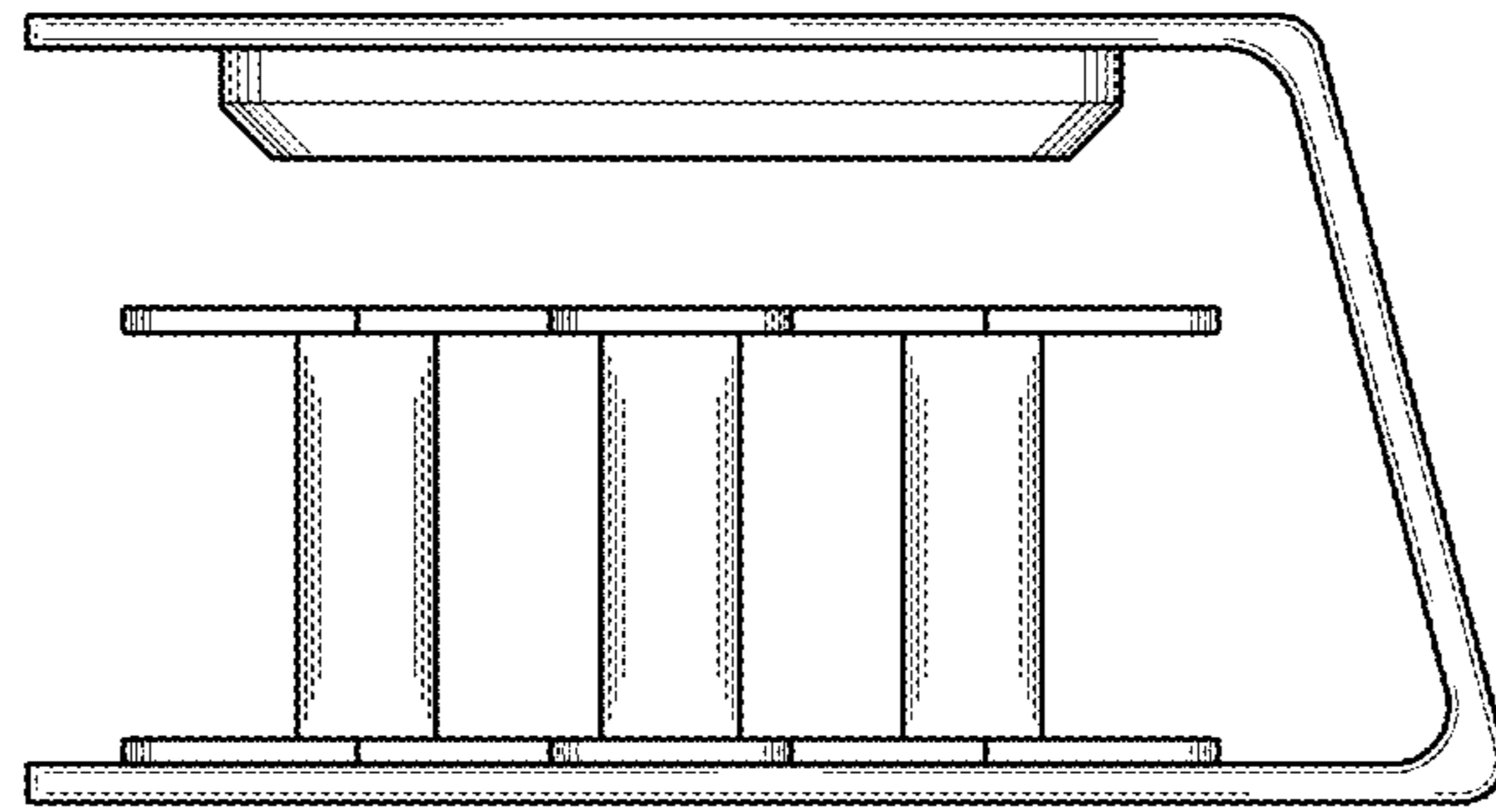
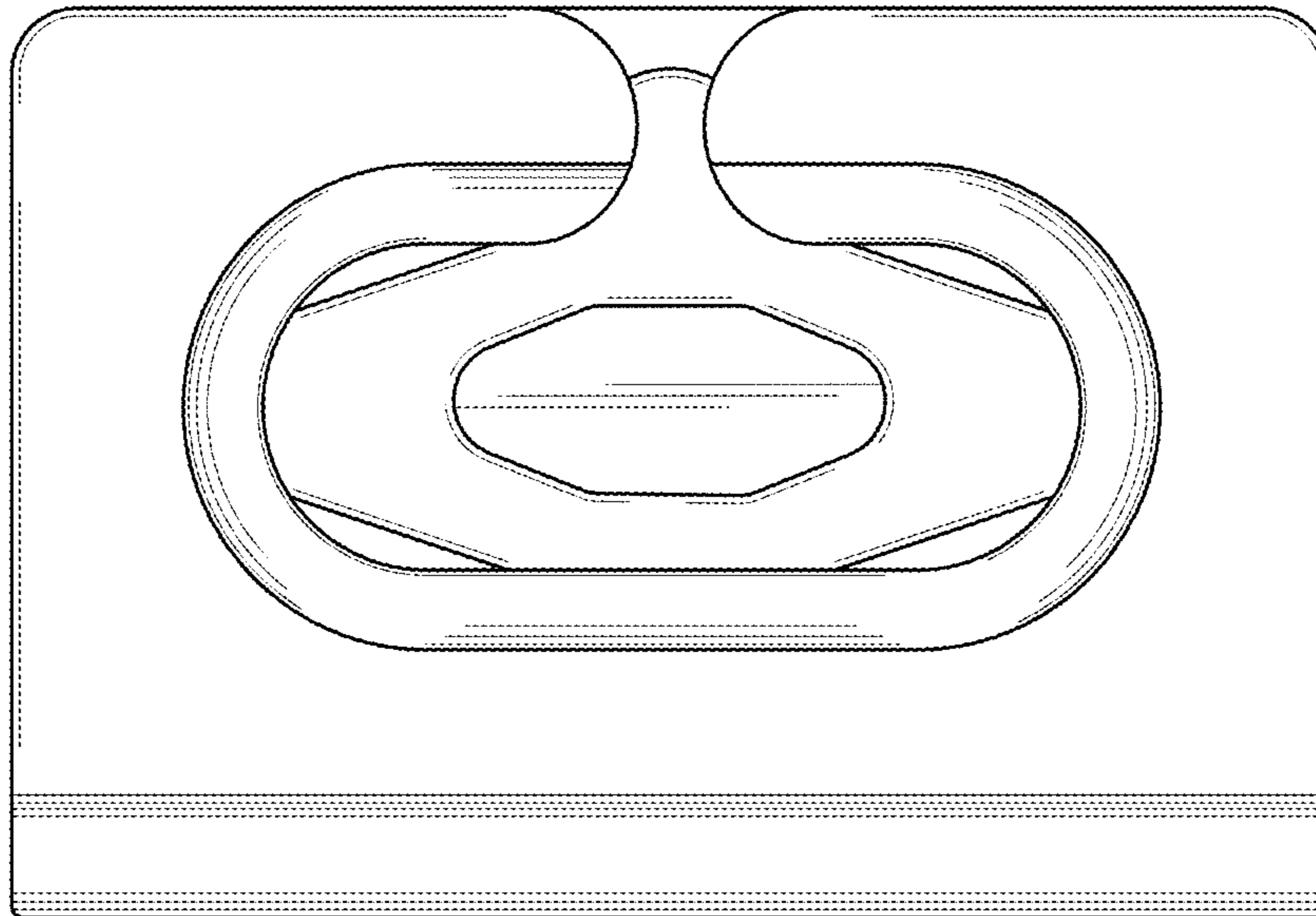
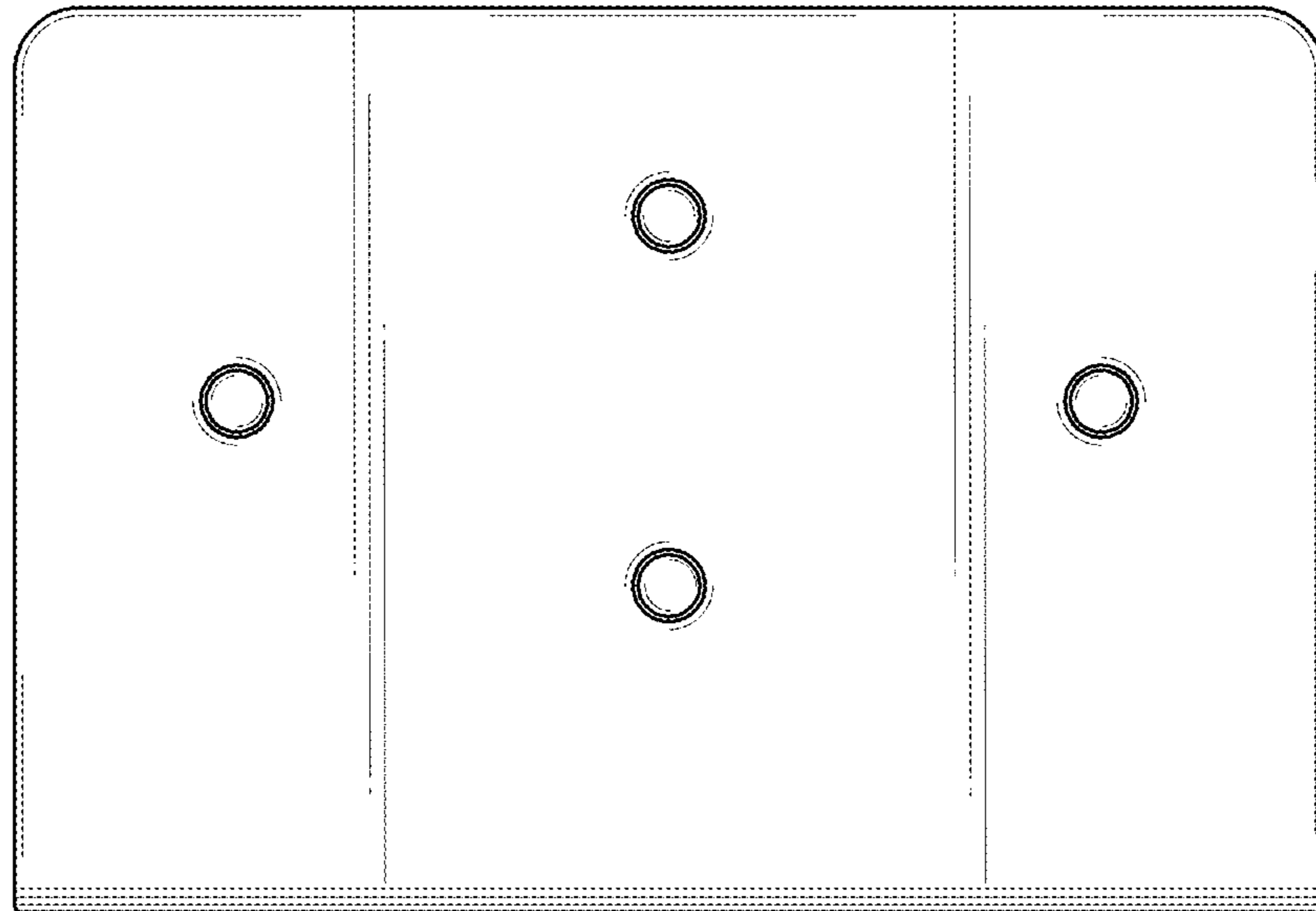


FIG. 4

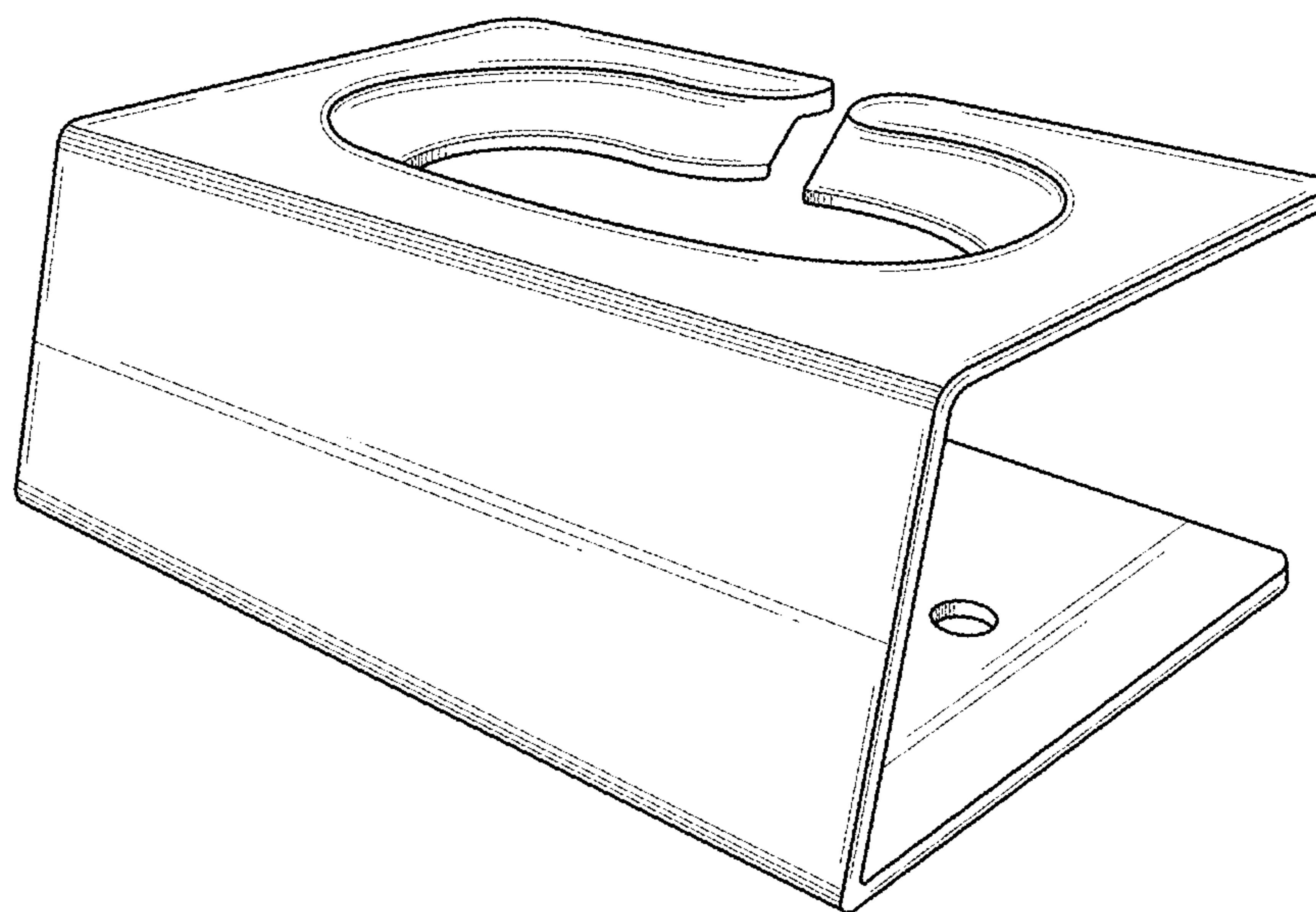


**FIG. 5**

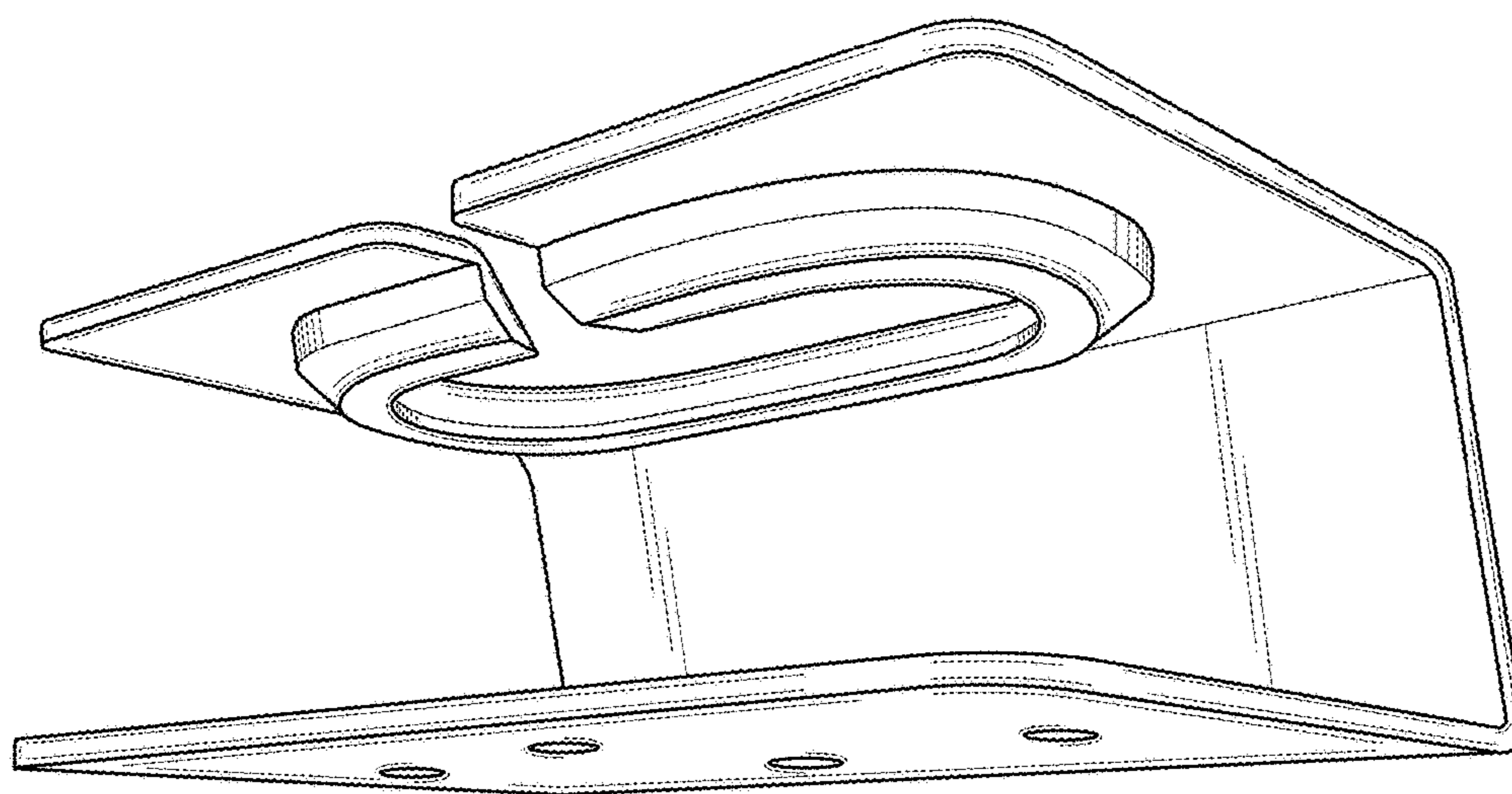


**FIG. 6**





**FIG. 7**



**FIG. 8**

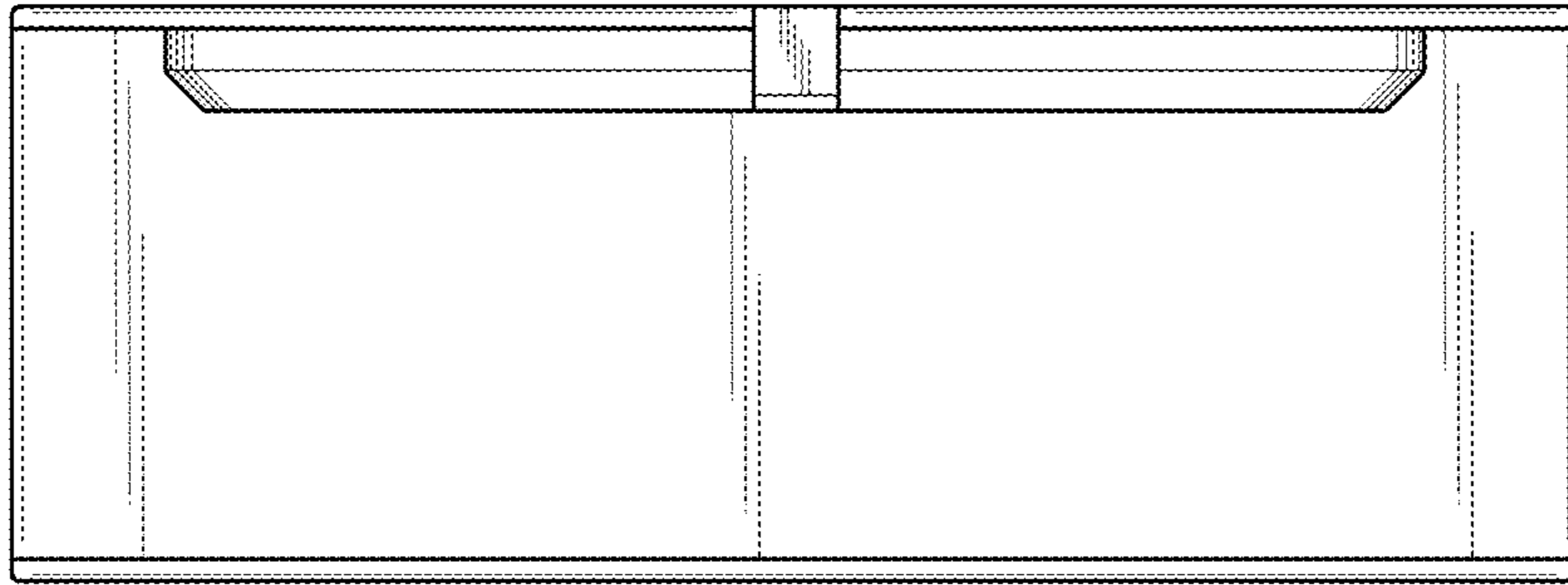


FIG. 9

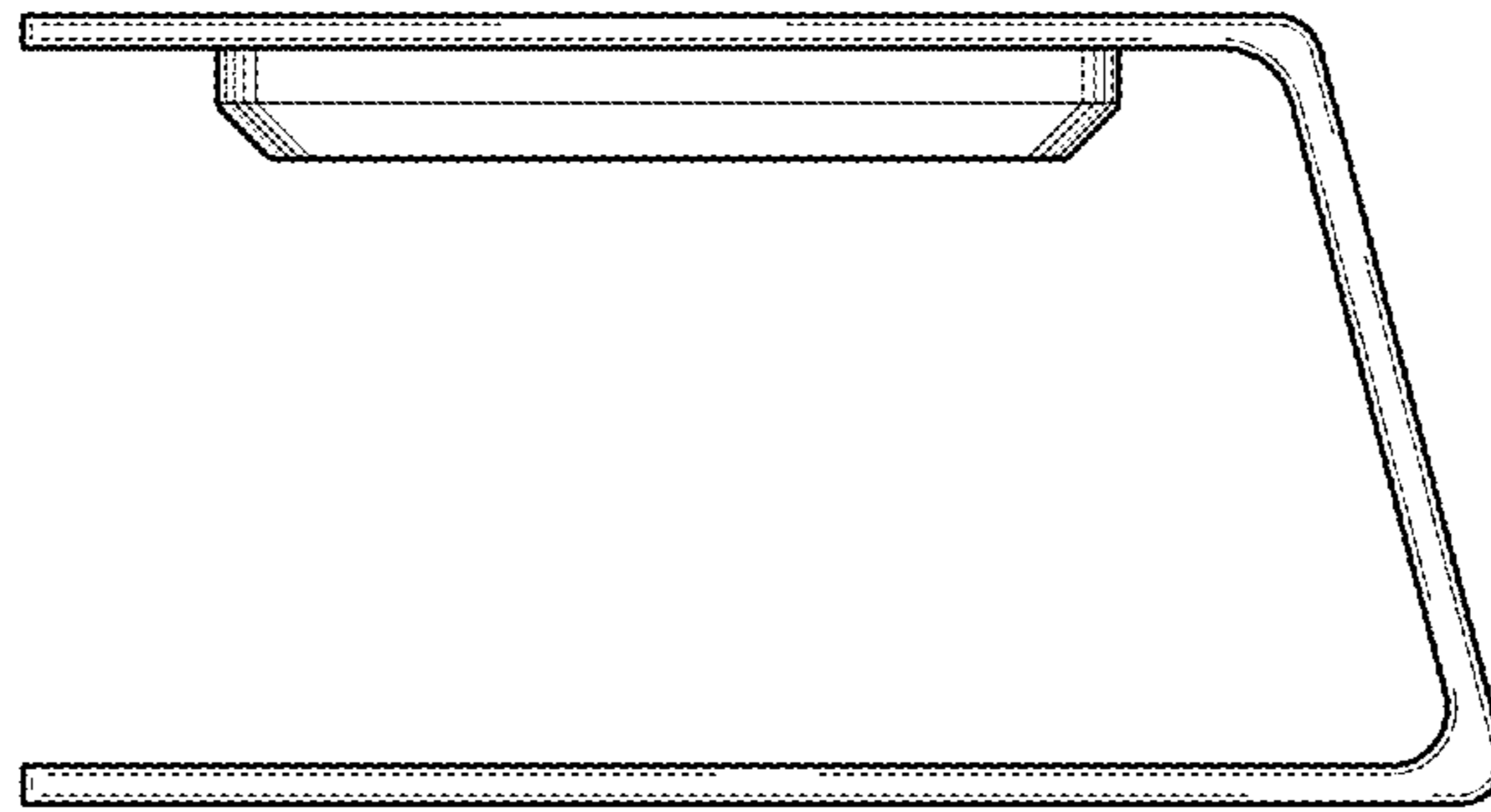


FIG. 10

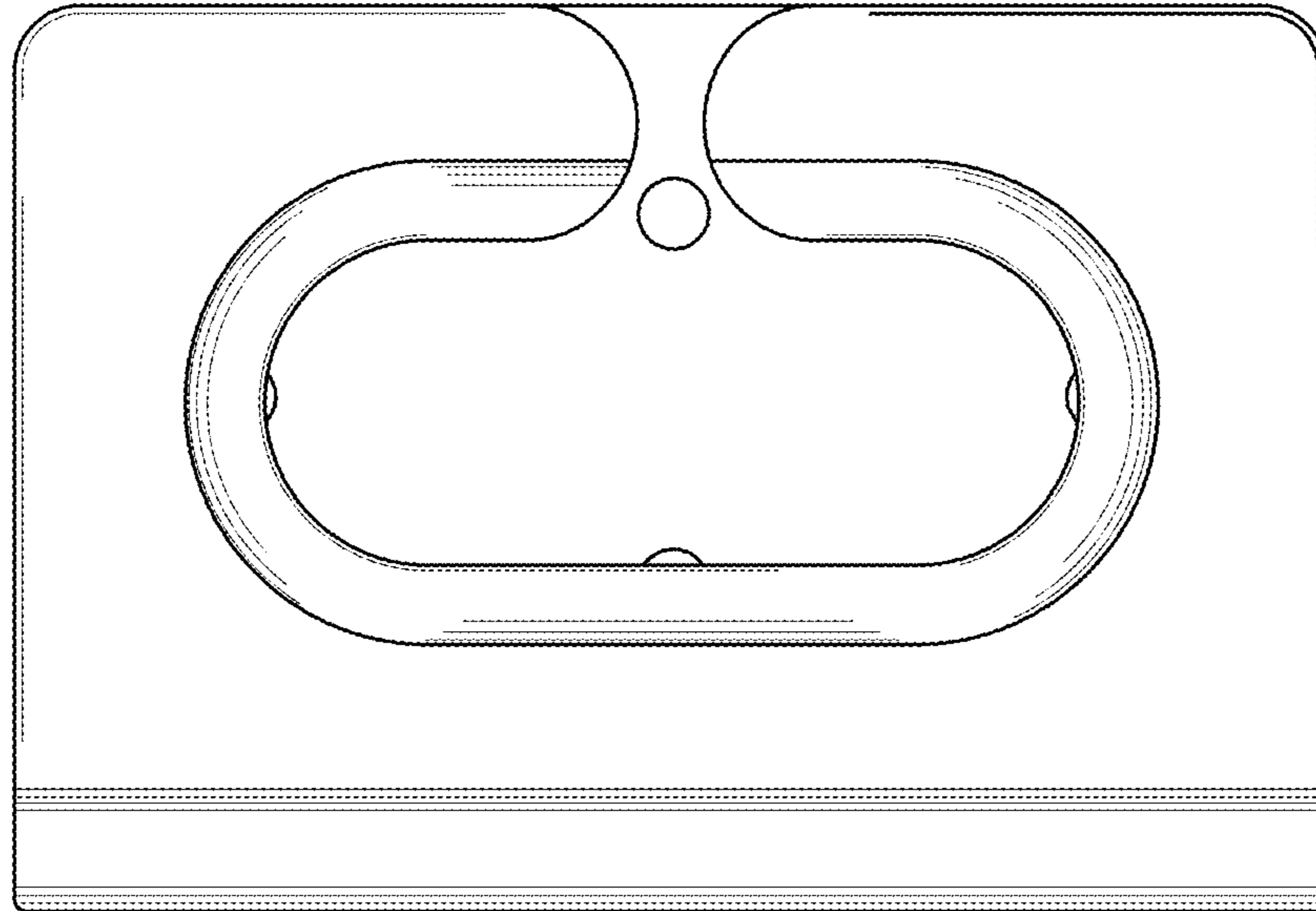
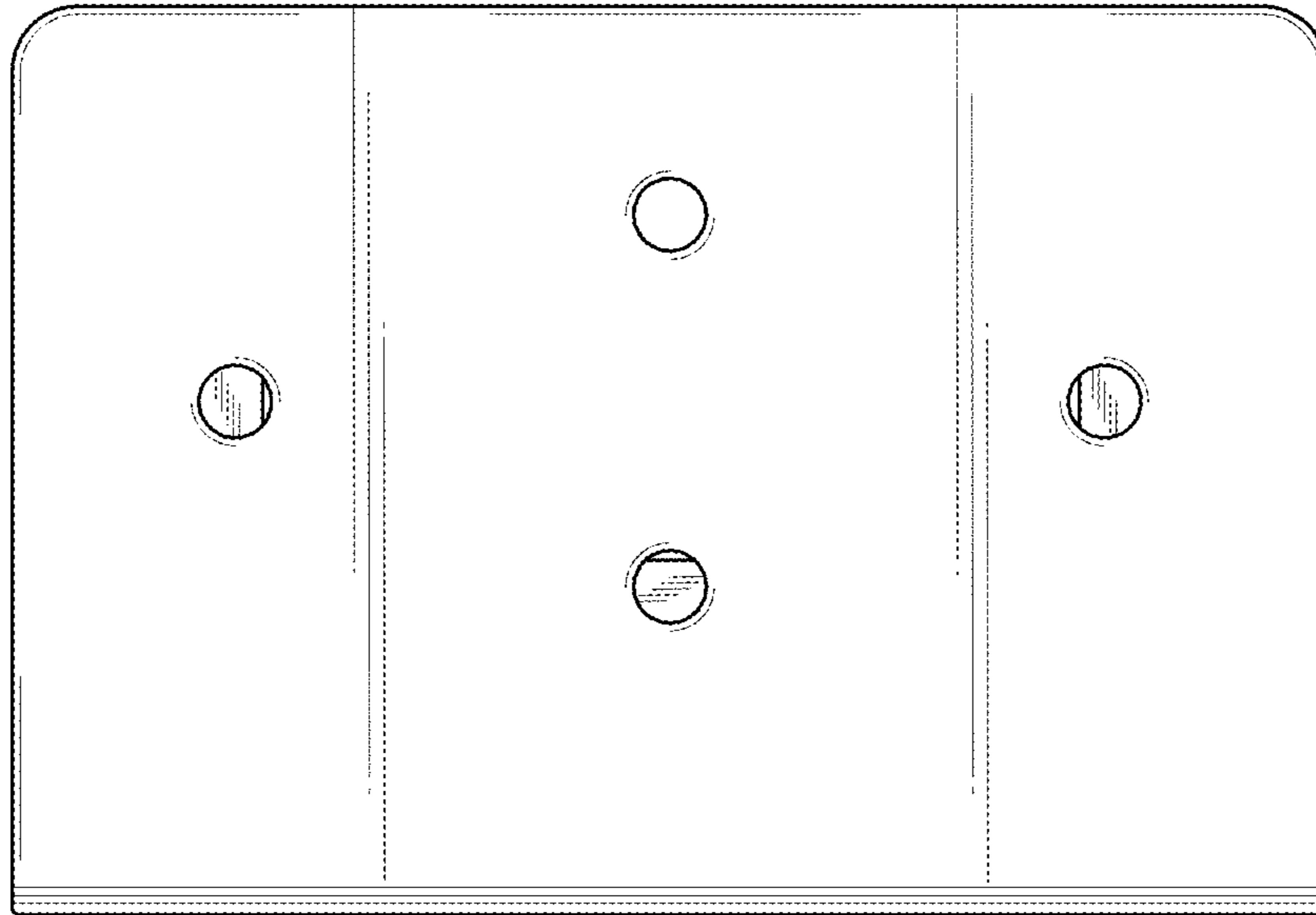
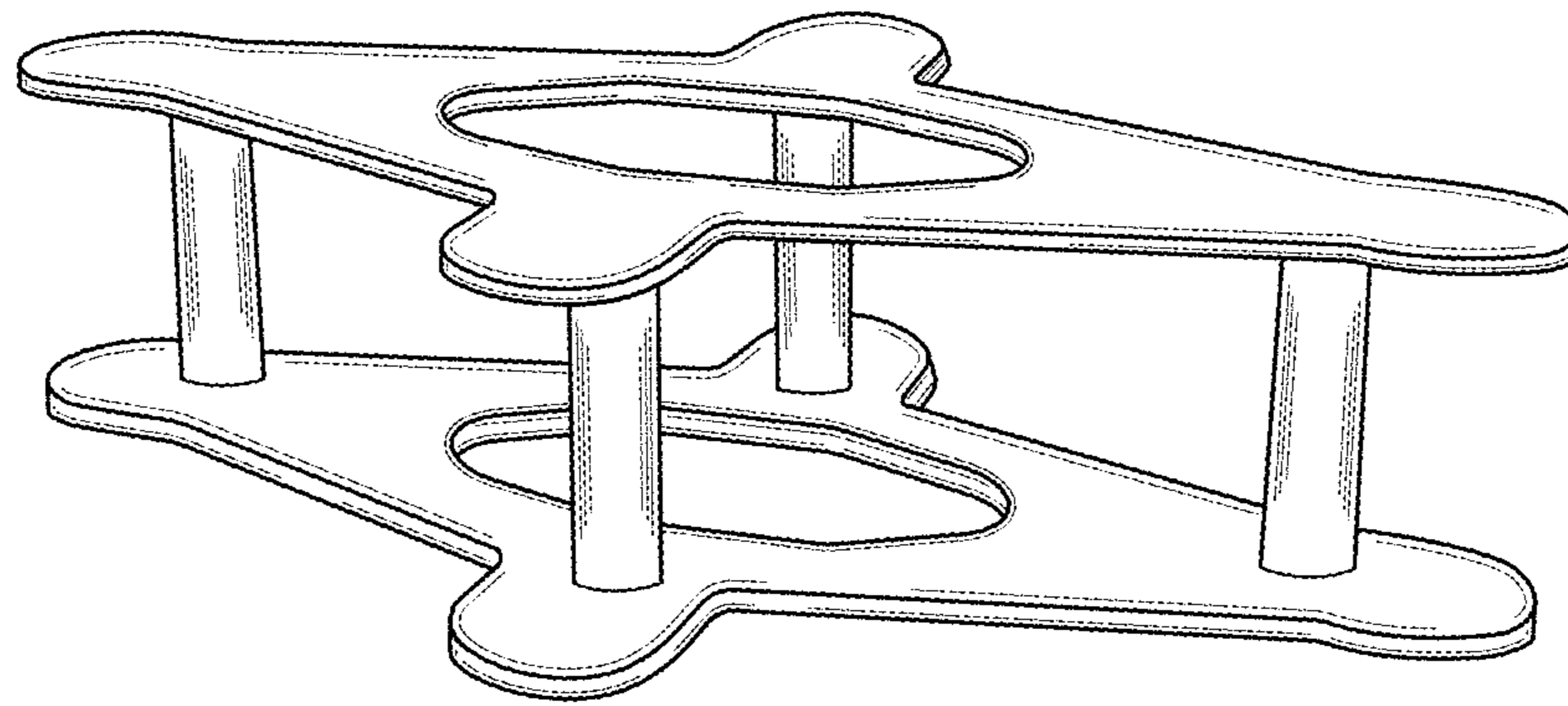


FIG. 11



**FIG. 12**



**FIG. 13**

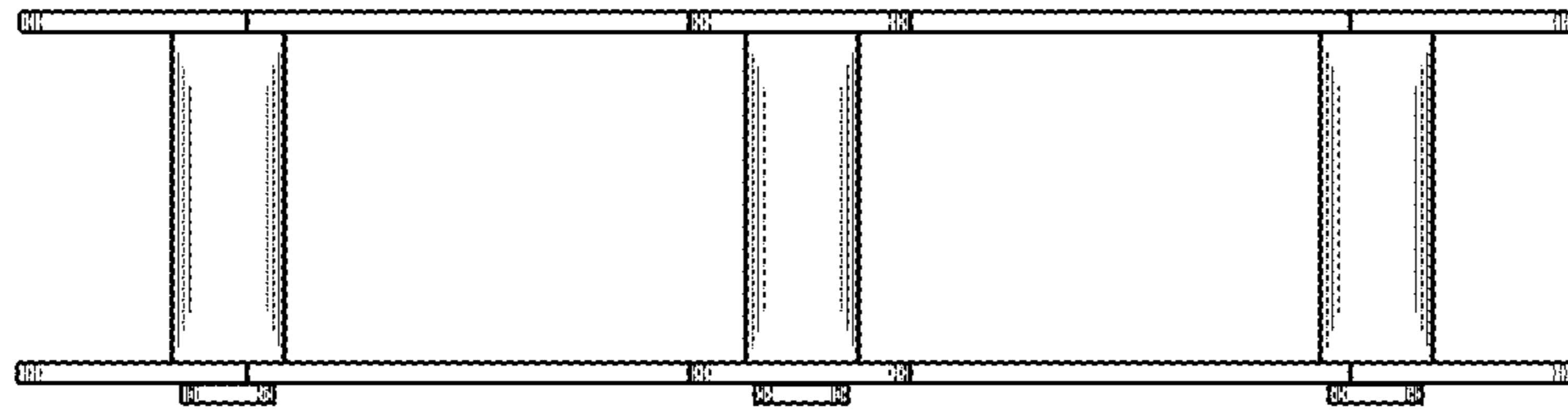


FIG. 14



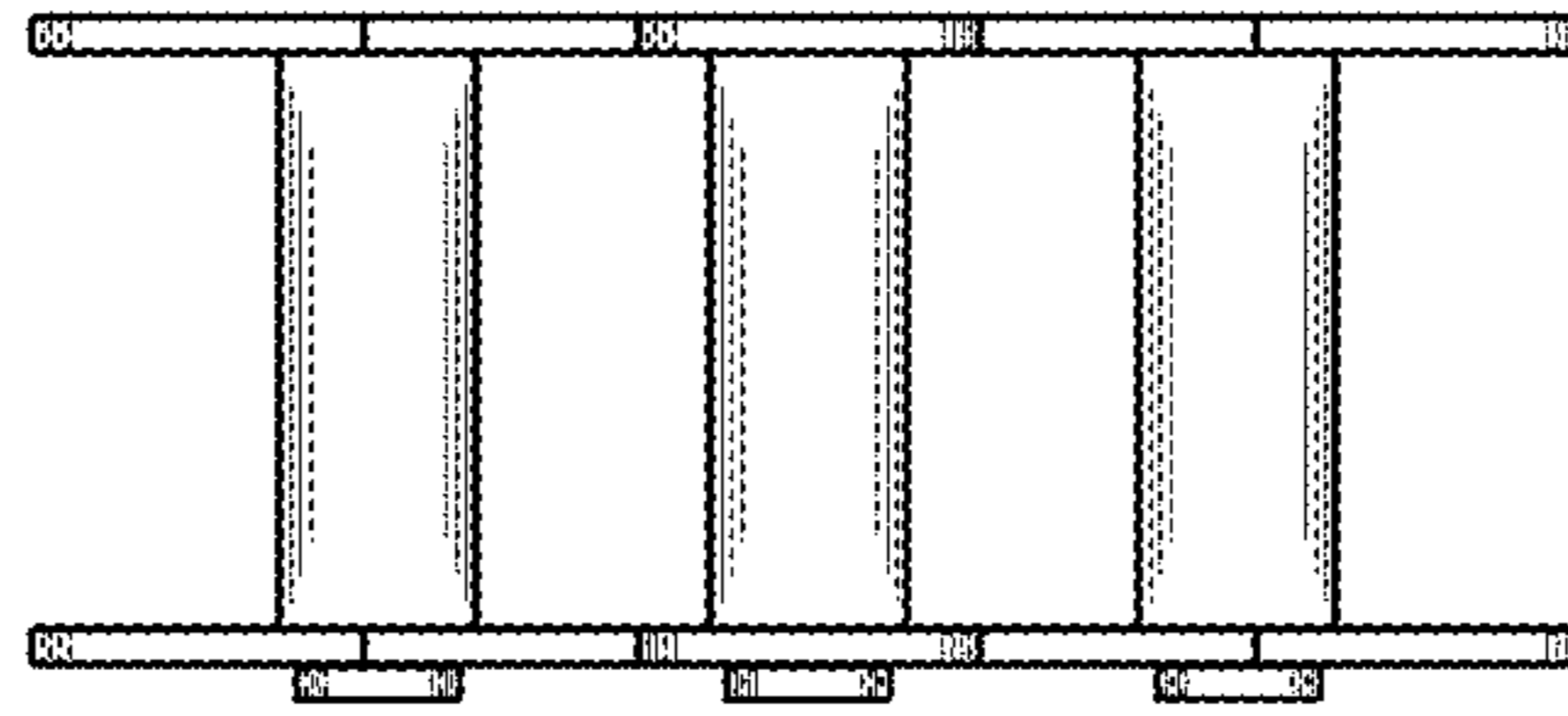
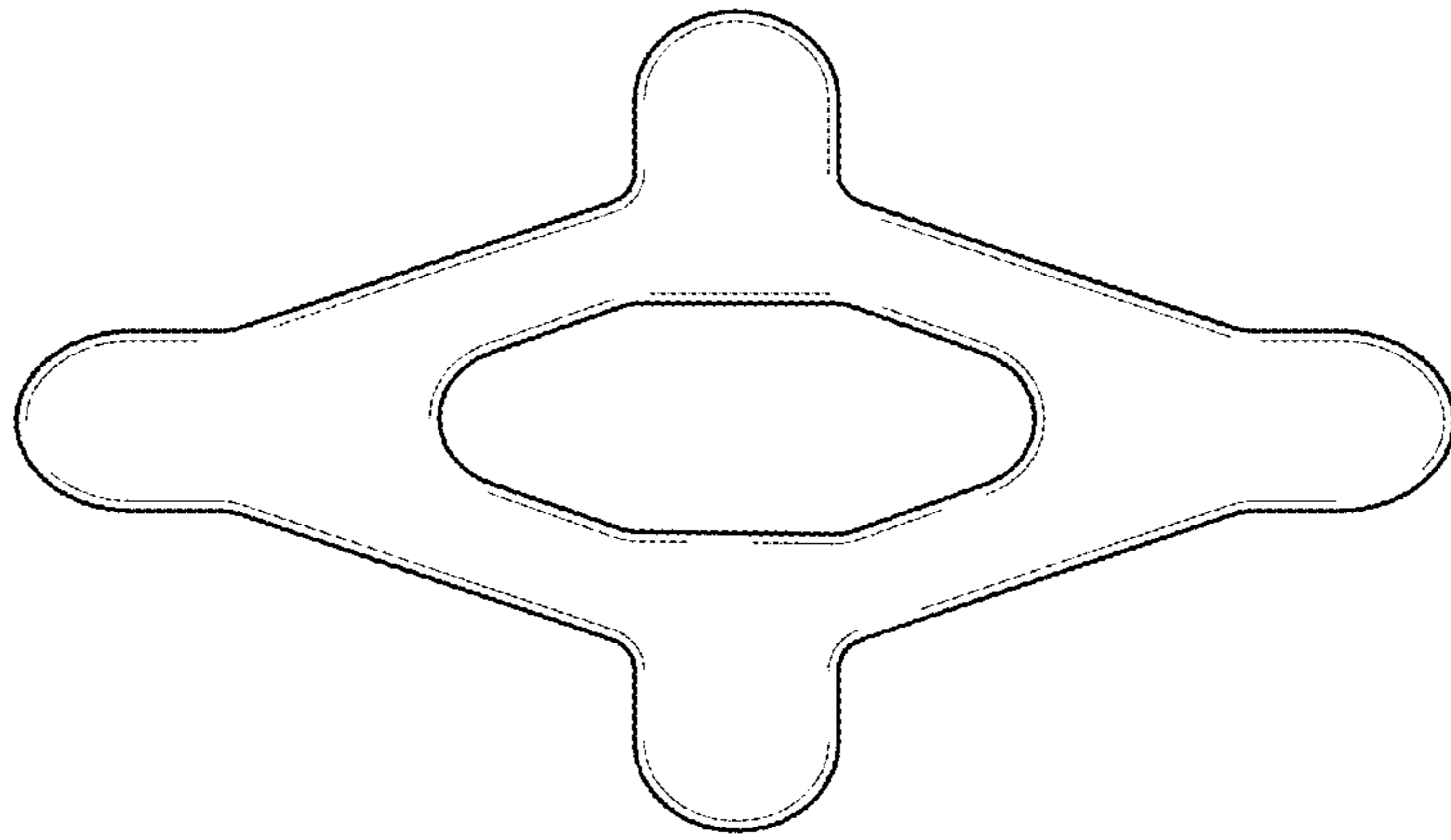
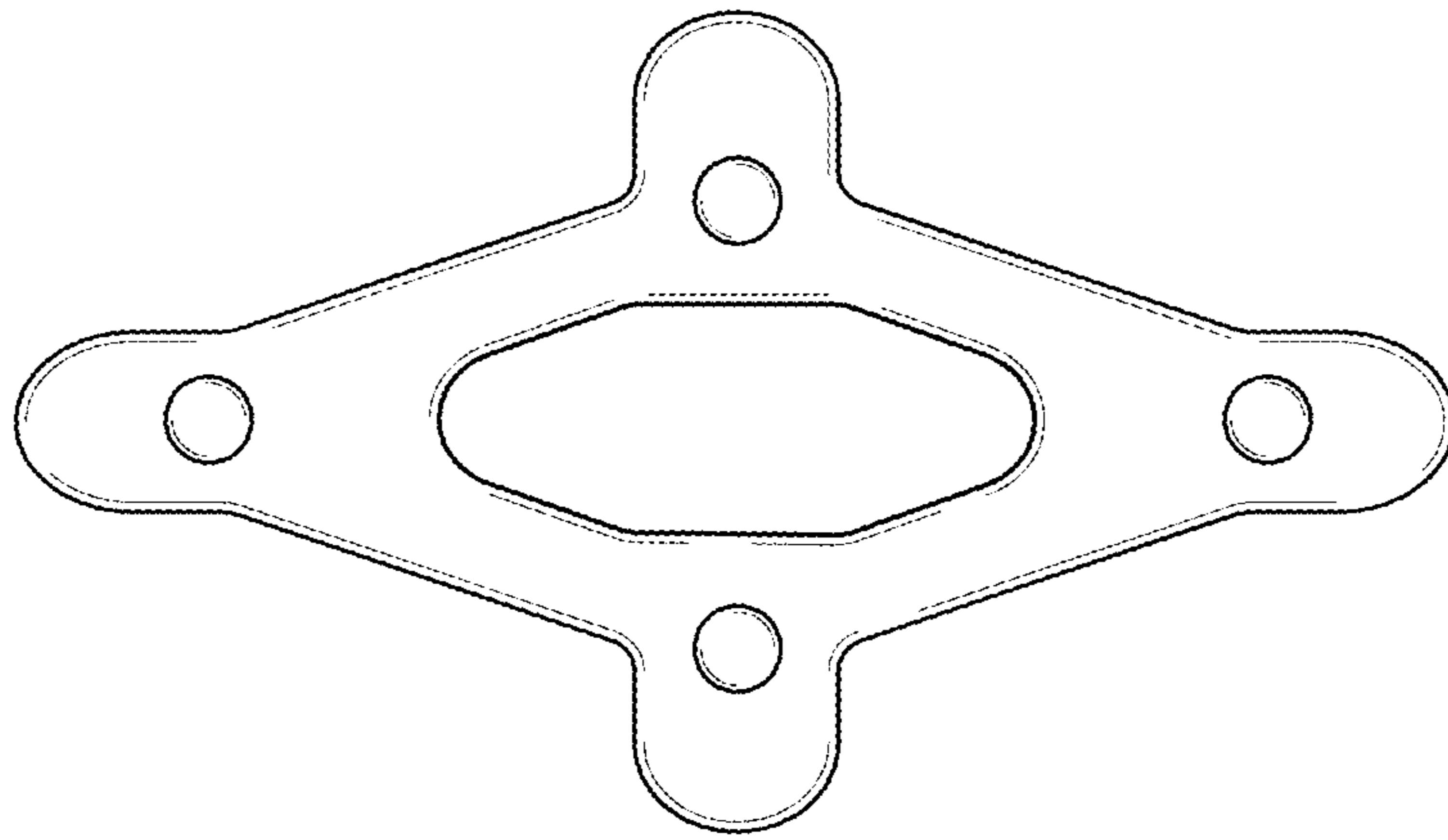


FIG. 15



**FIG. 16**



**FIG. 17**