



US00D821779S

(12) **United States Design Patent**
Goodman et al.

(10) **Patent No.:** **US D821,779 S**
(45) **Date of Patent:** **** Jul. 3, 2018**

(54) **PAPER TOWEL HOLDER**
(71) Applicant: **Spectrum Diversified Designs, LLC**,
Streetsboro, OH (US)

D771,969 S * 11/2016 Hsu D6/521
D787,226 S * 5/2017 Goodman D6/521
D794,977 S * 8/2017 Goodman D6/521

(72) Inventors: **Aaron Goodman**, Beachwood, OH
(US); **Courtney Wilson**, Chardon, OH
(US)

OTHER PUBLICATIONS

Toilet Paper Holder; 2 Pages; published as at least as early as Mar. 20, 2017.
<https://www.spectrumdiversified.com/products/Euro-Paper-Towel-Holder>; SKU 410; 1 Page; published as at least as early as Mar. 20, 2017.

(73) Assignee: **SPECTRUM DIVERSIFIED DESIGNS, LLC**, Streetsboro, OH (US)

* cited by examiner

(**) Term: **15 Years**

Primary Examiner — Wan Laymon
Assistant Examiner — Mark Booker

(21) Appl. No.: **29/597,744**

(74) *Attorney, Agent, or Firm* — Tucker Ellis LLP;
Patrick F. Clunk

(22) Filed: **Mar. 20, 2017**

(57) **CLAIM**

(51) **LOC (11) Cl.** **20-02**

The ornamental design for a paper towel holder, as shown and described.

(52) **U.S. Cl.**

DESCRIPTION

USPC **D6/521**

(58) **Field of Classification Search**

USPC D6/518–522; 206/389, 391; 211/13.1,
211/45, 59.1, 89.01; 242/570, 590,
242/597.7; 248/309.1, 309.2

CPC A47K 10/04; A47K 10/02; A47K 10/10;
A47K 10/3836; A47K 2010/324; A47K
2010/389; B08B 1/006

See application file for complete search history.

FIG. 1 is a perspective view of a paper towel holder showing our new design.

FIG. 2 is a front view thereof.

FIG. 3 is a rear view thereof.

FIG. 4 is a left side view thereof.

FIG. 5 is a right side view thereof.

FIG. 6 is a top view thereof; and,

FIG. 7 is a bottom view thereof.

The broken lines shown in the figures represent portions of the paper towel holder that form no part of the claimed design.

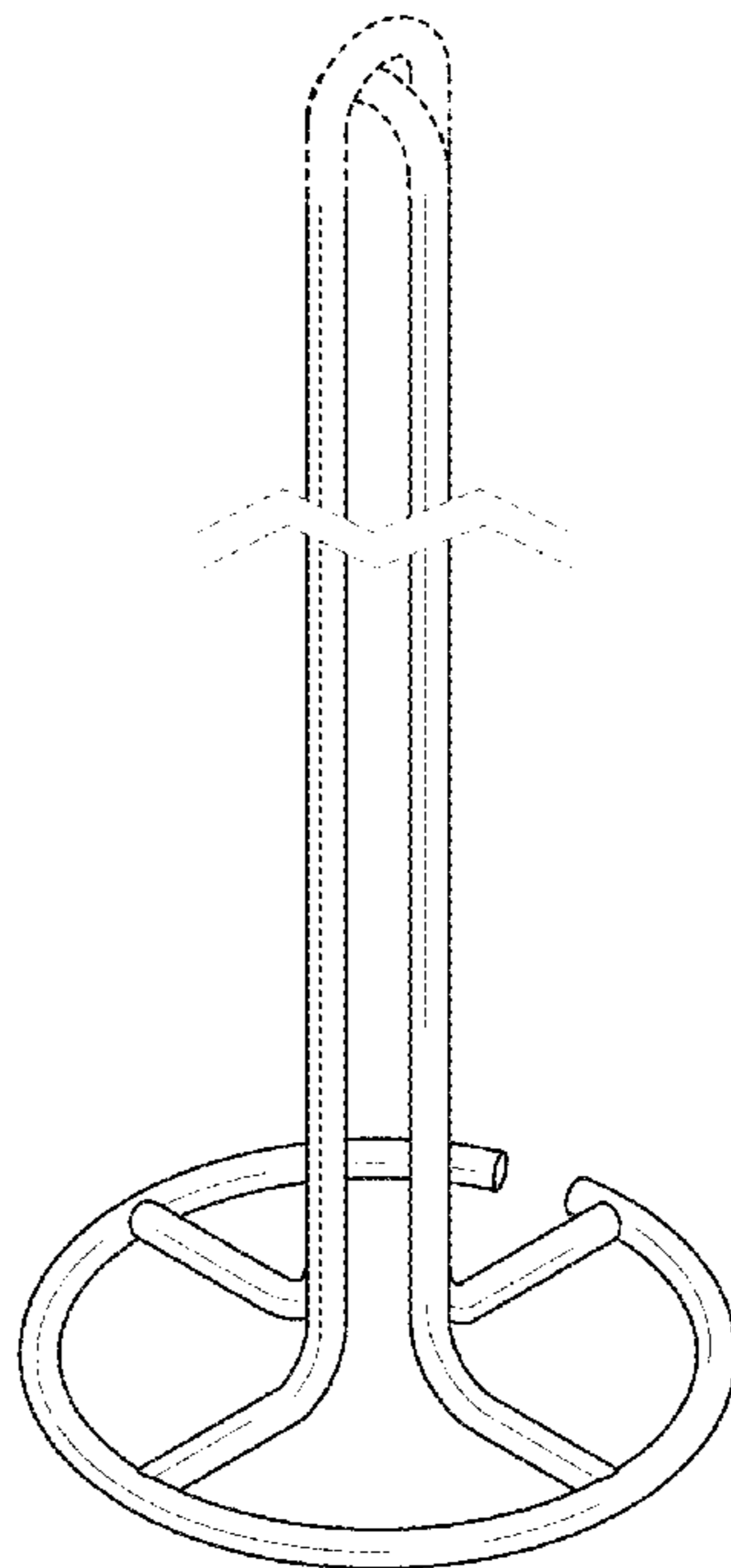
The broken away symbols in the drawings indicate that any portion of the article beyond what is shown forms no part of the claimed design.

(56) **References Cited**

U.S. PATENT DOCUMENTS

D699,046 S * 2/2014 Goodman D6/521
D723,832 S * 3/2015 Goodman D6/521

1 Claim, 4 Drawing Sheets



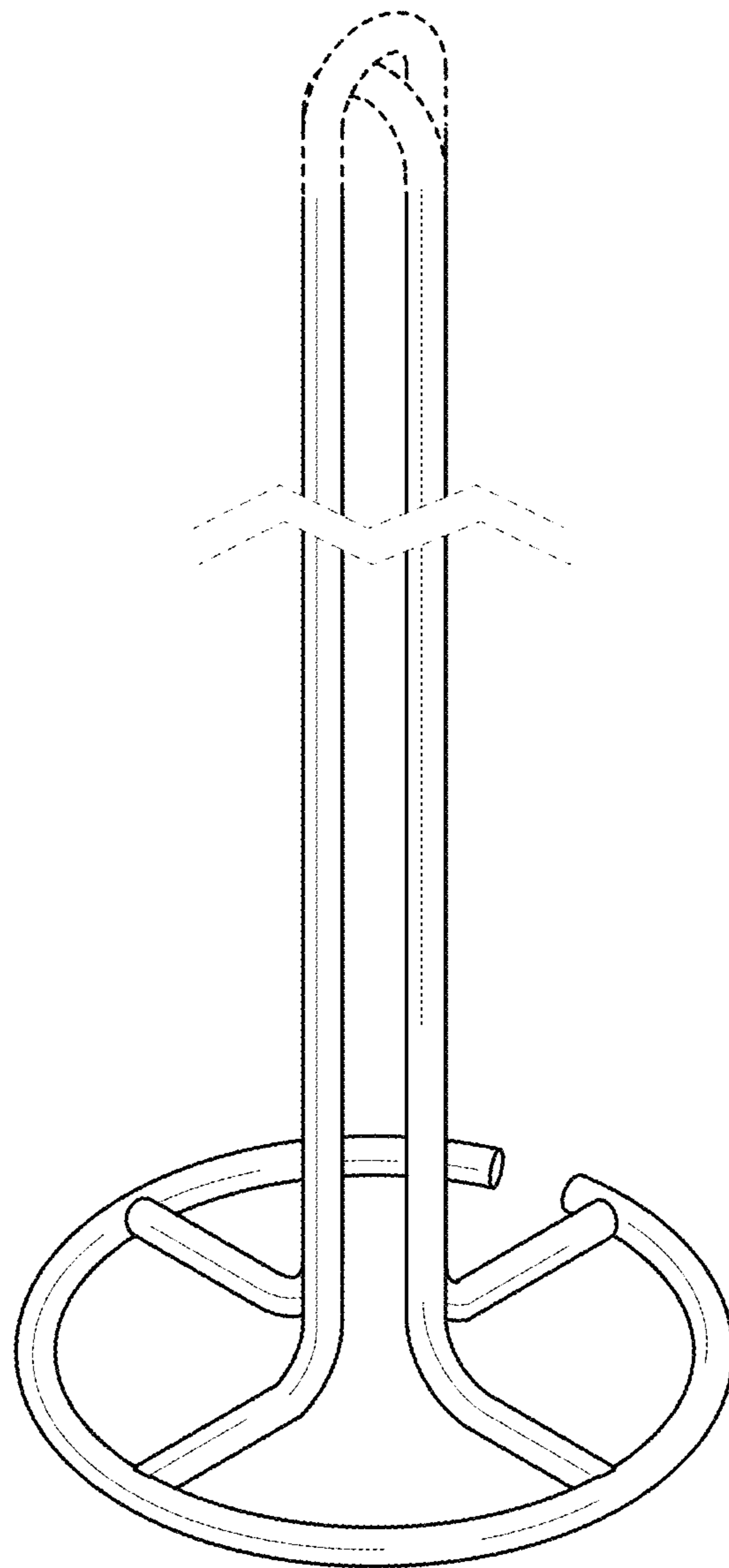


FIG. 1

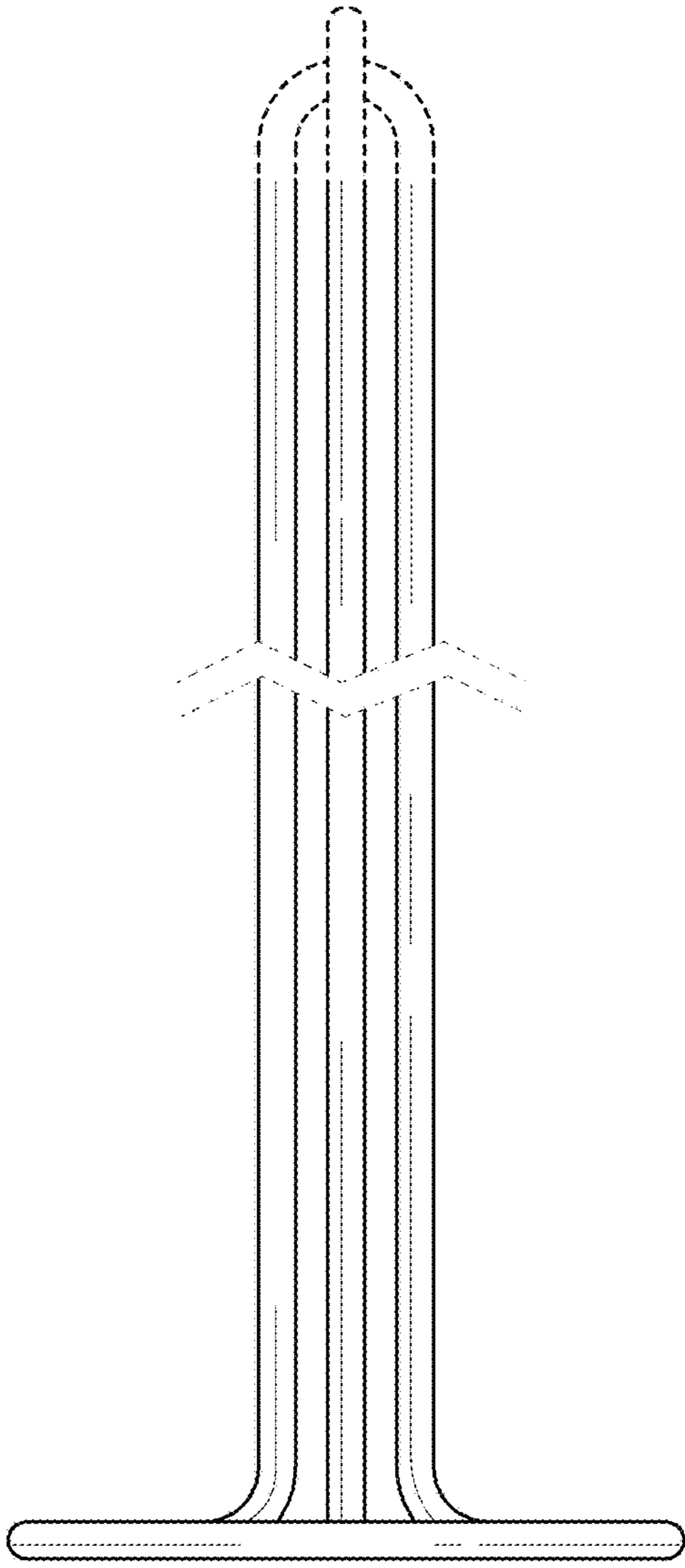


FIG. 2

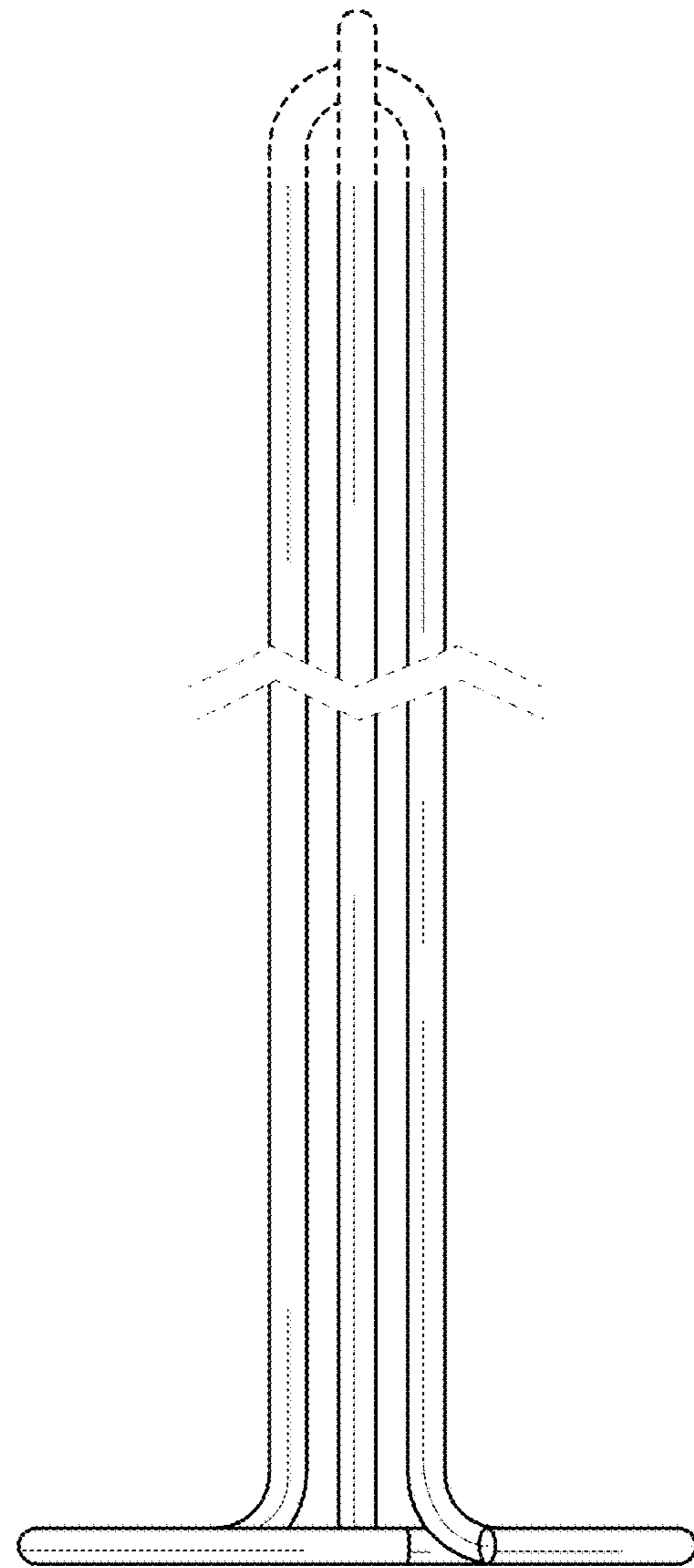


FIG. 3

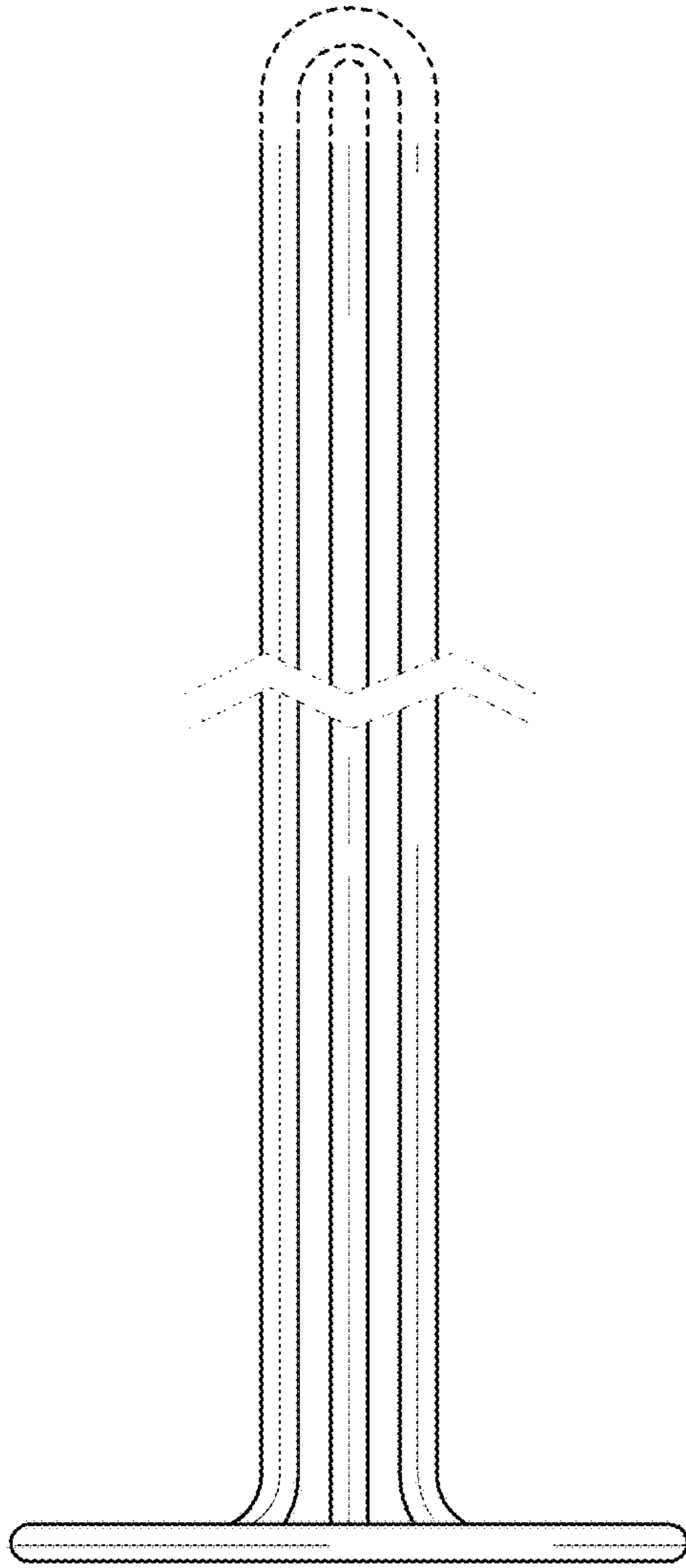


FIG. 4

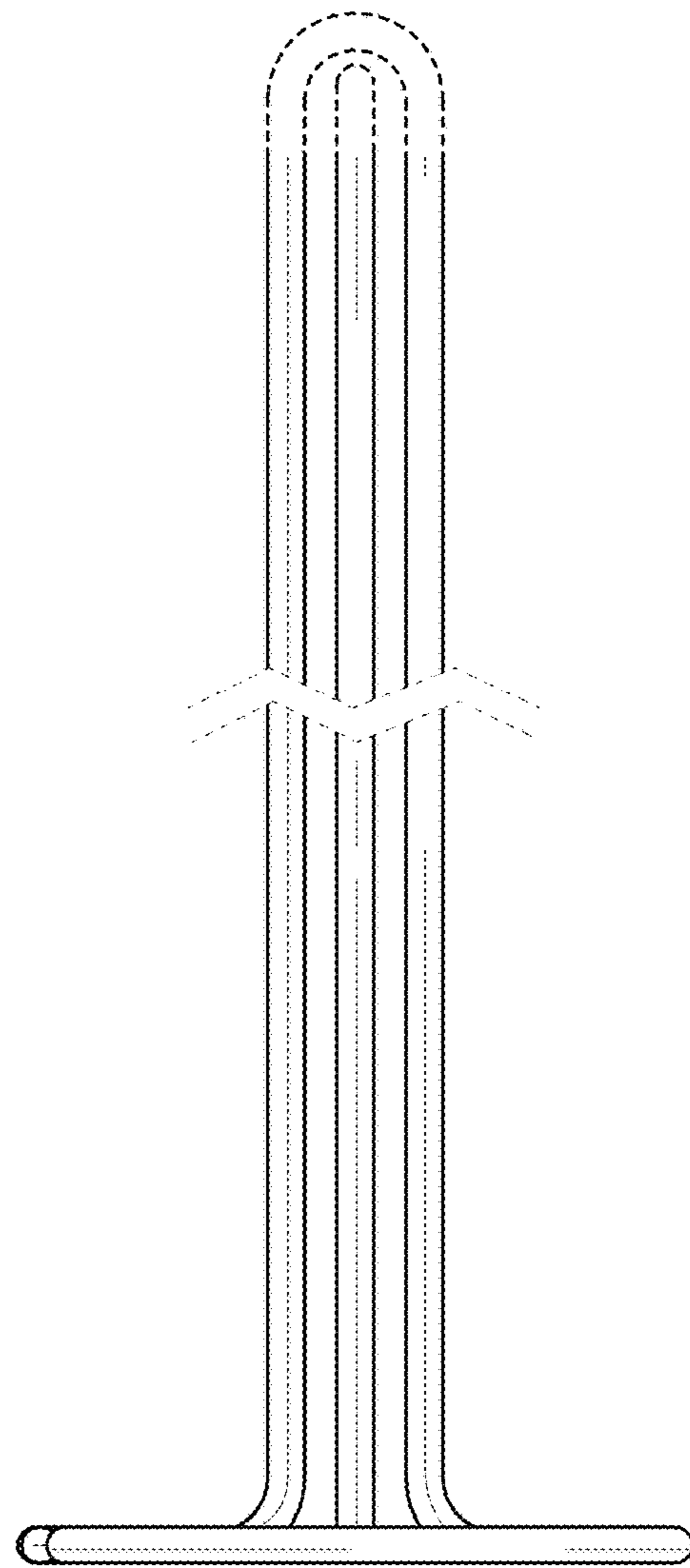


FIG. 5

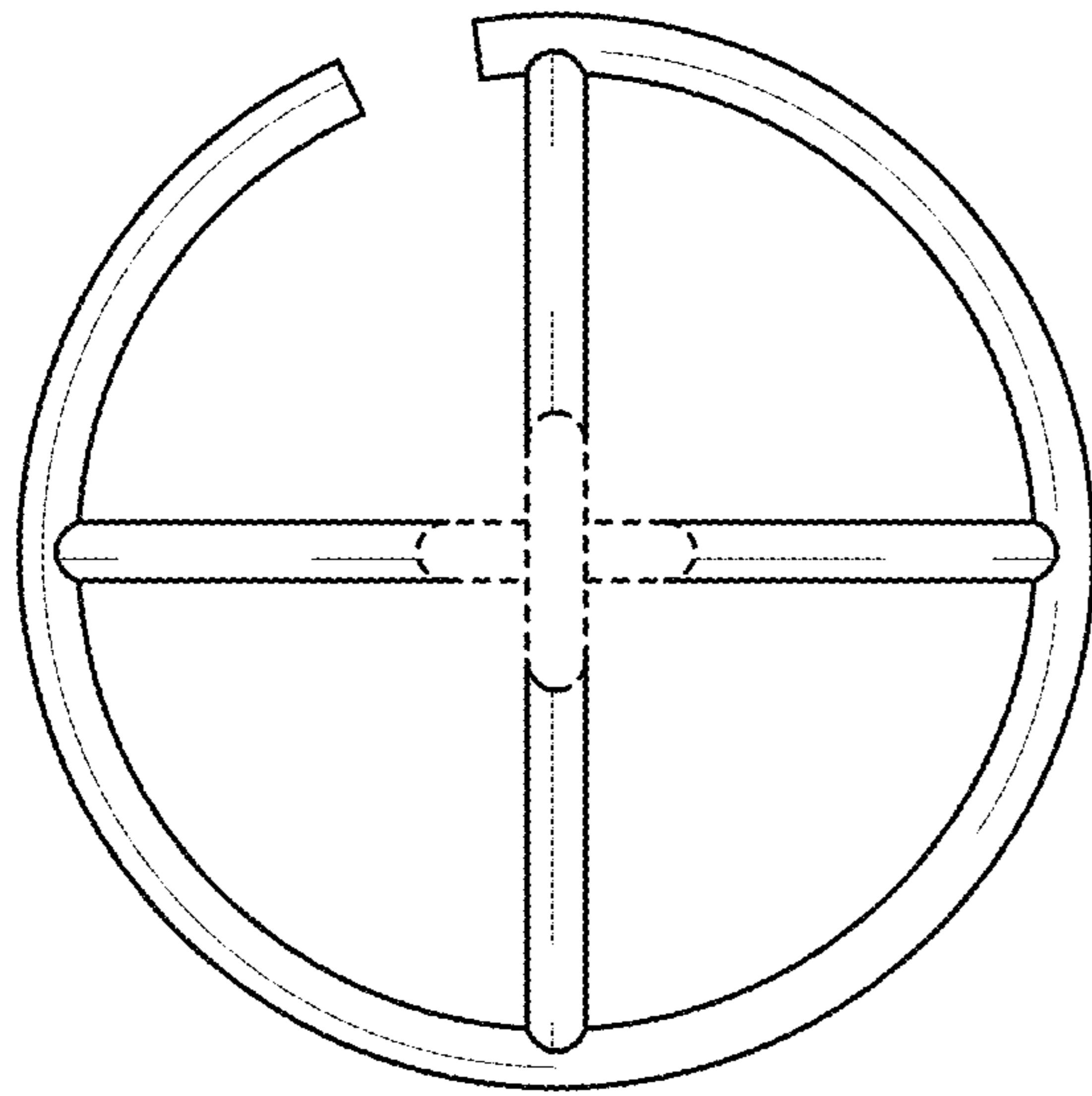


FIG. 6

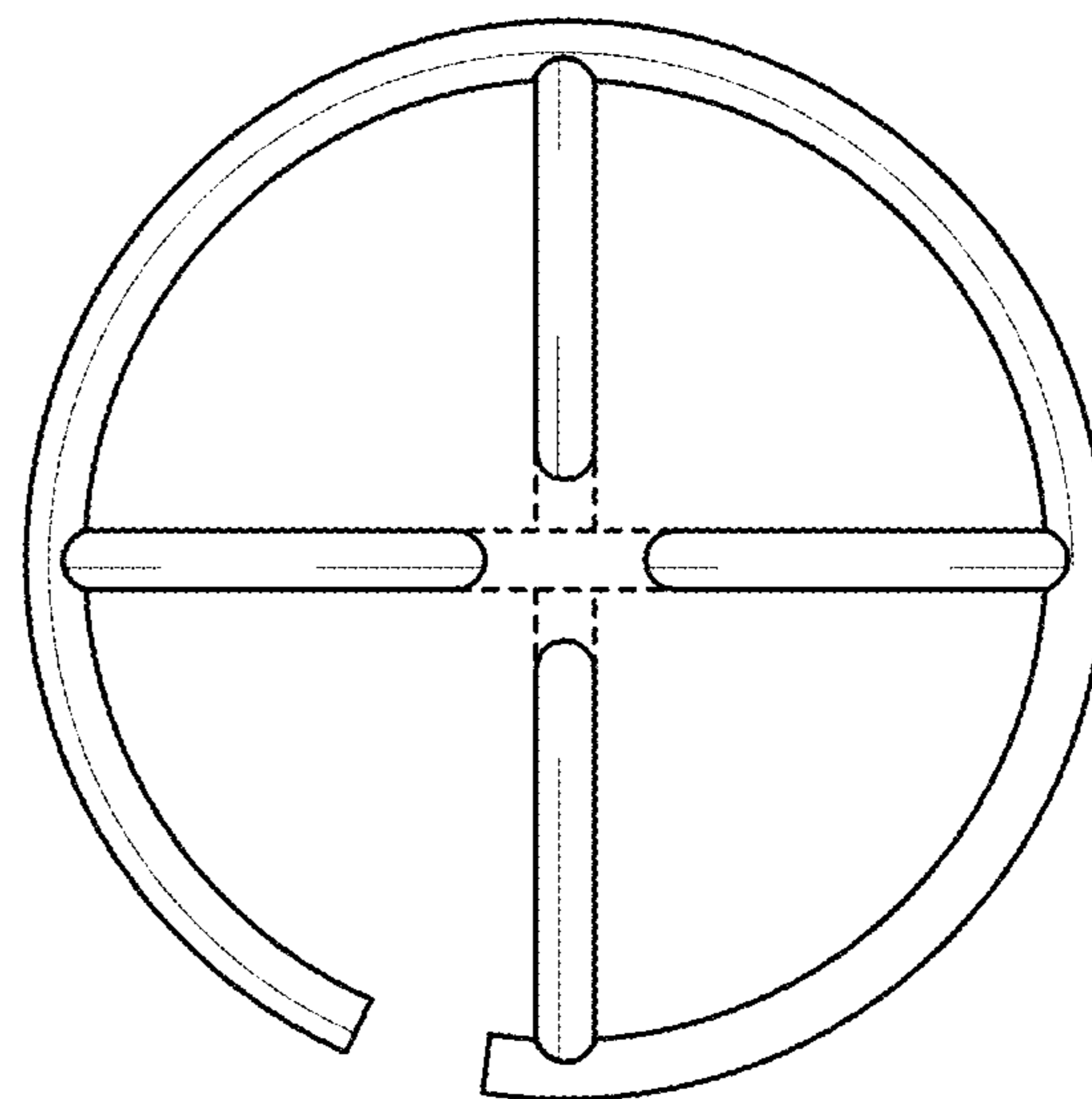


FIG. 7