



US00D821778S

(12) **United States Design Patent**
Andersen et al.

(10) **Patent No.:** **US D821,778 S**
(45) **Date of Patent:** **** Jul. 3, 2018**

(54) **SOFA**

(71) Applicant: **Innovation U.S.A. Inc.**, Irvine, CA (US)

(72) Inventors: **Per Weiss Andersen**, Randers (DK); **Oliver Weiss Krog**, Randers (DK)

(73) Assignee: **Innovation U.S.A., Inc.**, Irvine, CA (US)

(**) Term: **15 Years**

(21) Appl. No.: **29/567,651**

(22) Filed: **Jun. 10, 2016**

(51) **LOC (11) Cl.** **06-01**

(52) **U.S. Cl.**
USPC **D6/381**

(58) **Field of Classification Search**
USPC D6/334, 349-350, 364-368, 374, 375, D6/379, 380, 381, 403, 405, 406.6,
(Continued)

(56) **References Cited**

U.S. PATENT DOCUMENTS

D490,996 S 6/2004 Weiss et al.
D569,648 S 5/2008 Weiss
(Continued)

OTHER PUBLICATIONS

Non Final Office Action dated Oct. 6, 2017 for Design U.S. Appl. No. 29/567,649.

Primary Examiner — Manpreet Matharu

Assistant Examiner — Keith Wilson

(74) *Attorney, Agent, or Firm* — Miles & Stockbridge P.C.; David R. Schaffer

(57) **CLAIM**

The ornamental design for a sofa, as shown and described.

DESCRIPTION

FIG. 1 is a front view of the sofa showing the new design, in accordance with a first embodiment,

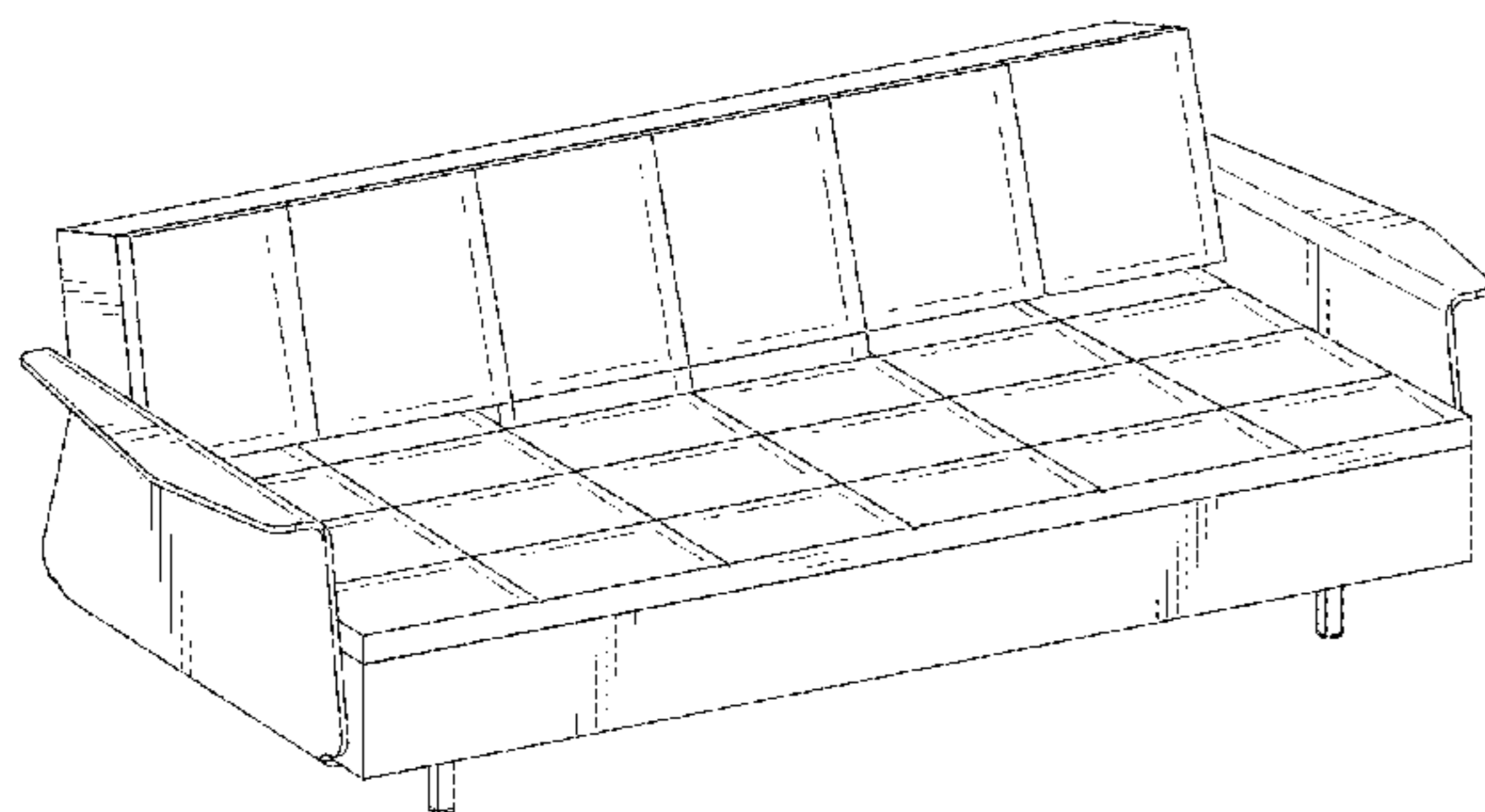


FIG. 2 is a back view thereof, in accordance with the first embodiment;

FIG. 3 is a left side view thereof, in accordance with the first embodiment;

FIG. 4 is a right side view thereof, in accordance with the first embodiment;

FIG. 5 is a top plan view thereof, in accordance with the first embodiment;

FIG. 6 is a bottom plan view thereof, in accordance with the first embodiment;

FIG. 7 is a left front perspective view thereof, in accordance with the first embodiment;

FIG. 8 is a right front perspective view thereof, in accordance with the first embodiment;

FIG. 9 is a left front perspective view thereof in a fully reclined position, in accordance with the first embodiment;

FIG. 10 is a right front perspective view thereof in a fully reclined position, in accordance with the first embodiment;

FIG. 11 is a front view of the sofa showing the new design, in accordance with a second embodiment;

FIG. 12 is a back view thereof, in accordance with the second embodiment;

FIG. 13 is a left side view thereof, in accordance with the second embodiment;

FIG. 14 is a right side view thereof, in accordance with the second embodiment;

FIG. 15 is a top plan view thereof, in accordance with the second embodiment;

FIG. 16 is a bottom plan view thereof, in accordance with the second embodiment;

FIG. 17 is a left front perspective view thereof, in accordance with the second embodiment;

FIG. 18 is a right front perspective view thereof, in accordance with the second embodiment;

FIG. 19 is a left front perspective view thereof in a fully reclined position, in accordance with the second embodiment;

FIG. 20 is a right front perspective view thereof in a fully reclined position, in accordance with the second embodiment;

FIG. 21 is a front view of the sofa showing the new design, in accordance with a third embodiment;

(Continued)

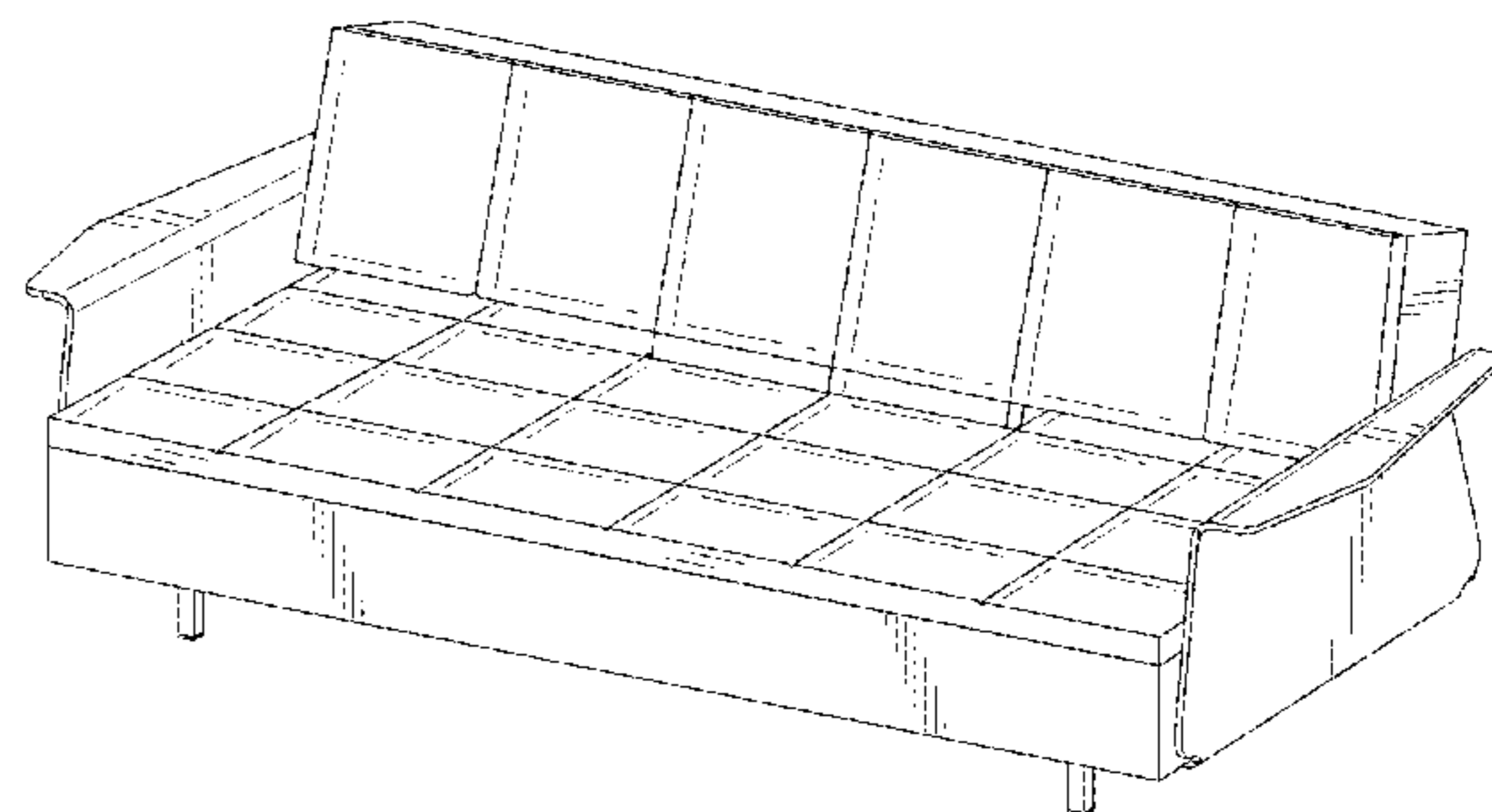


FIG. 22 is a back view thereof, in accordance with the third embodiment;
 FIG. 23 is a left side view thereof, in accordance with the third embodiment;
 FIG. 24 is a right side view thereof, in accordance with the third embodiment;
 FIG. 25 is a top plan view thereof, in accordance with the third embodiment;
 FIG. 26 is a bottom plan view thereof, in accordance with the third embodiment;
 FIG. 27 is a left front perspective view thereof, in accordance with the third embodiment;
 FIG. 28 is a right front perspective view thereof, in accordance with the third embodiment;
 FIG. 29 is a left front perspective view thereof in a fully reclined position, in accordance with the third embodiment;
 FIG. 30 is a right front perspective view thereof in a fully reclined position, in accordance with the third embodiment;
 FIG. 31 is a front view of the sofa showing the new design, in accordance with a fourth embodiment;
 FIG. 32 is a back view thereof, in accordance with the fourth embodiment;
 FIG. 33 is a left side view thereof, in accordance with the fourth embodiment;
 FIG. 34 is a right side view thereof, in accordance with the fourth embodiment;
 FIG. 35 is a top plan view thereof, in accordance with the fourth embodiment;
 FIG. 36 is a bottom plan view thereof, in accordance with the fourth embodiment;
 FIG. 37 is a left front perspective view thereof, in accordance with the fourth embodiment;
 FIG. 38 is a right front perspective view thereof, in accordance with the fourth embodiment;
 FIG. 39 is a left front perspective view thereof in a fully reclined position, in accordance with the fourth embodiment; and,
 FIG. 40 is a right front perspective view thereof in a fully reclined position, in accordance with the fourth embodiment.
 The elements shown in broken lines are for illustrative purposes only and form no part of the claimed design.

1 Claim, 20 Drawing Sheets

(58) **Field of Classification Search**

USPC D6/654-654.1, 678-678.2, 682.1-682.6,
 D6/684-686, 691, 691.8-691.9, 698, 699,
 D6/705, 705.5, 707.19, 708, 708.21, 716;
 297/284.4, 452.18, 452.24, 452.26,
 297/452.28, 452.32-452.33, 452.37;
 5/12.1

CPC A47C 7/02; A47C 7/44; A47C 7/46; A47C
 7/48; A47C 7/54; A47C 7/386; A47C
 7/462; A47C 7/70; A47C 4/04; A47C
 7/006; A47C 13/005; A47C 17/86; A47C
 4/00; A47C 4/03; A47C 17/00; A47C
 17/02; A47C 17/04; A47C 1/02; A47C
 17/045; A47C 17/16; A47C 17/1655;
 A47C 17/37; A47C 19/205; A47C
 19/207; A47C 31/023; A47C 31/11; A47C
 3/045; A47C 1/035; A47C 1/0352; A47C
 20/026; A47C 20/027; A47C 23/005;
 A47C 4/06; A47C 4/22; A47C 4/28;
 A47C 7/024; A47C 7/18; A47C 7/24;
 A47C 7/36; A47C 11/005; A47C 19/045;
 A47C 15/004; A47C 1/03; A47C 7/40;
 A47C 1/024; A47C 31/00; A47C 4/20;
 B60N 2/02; B60N 2/22; B60N 2/44
 See application file for complete search history.

(56)

References Cited

U.S. PATENT DOCUMENTS

D575,545	S	8/2008	Weiss	
D583,585	S	12/2008	Weiss	
D591,071	S	4/2009	Weiss	
D591,970	S	5/2009	Weiss	
D592,416	S	5/2009	Weiss	
D603,617	S	11/2009	Weiss	
D603,618	S	11/2009	Weiss	
D604,957	S	12/2009	Weiss	
D610,366	S *	2/2010	Kanhasamy D6/381
D614,419	S	4/2010	Andersen	
D615,315	S	5/2010	Andersen	
D615,316	S	5/2010	Andersen	
D615,317	S	5/2010	Andersen	
D615,766	S	5/2010	Andersen	
D616,214	S	5/2010	Andersen	
D616,215	S	5/2010	Andersen	
D617,571	S	6/2010	Andersen	
D618,007	S	6/2010	Andersen	
D623,869	S	9/2010	Andersen	
D635,791	S *	4/2011	Kanhasamy D6/381
D635,792	S *	4/2011	Kanhasamy D6/381
D635,793	S *	4/2011	Kanhasamy D6/381
D635,794	S *	4/2011	Kanhasamy D6/381
D649,366	S	11/2011	Andersen	
D649,367	S	11/2011	Andersen	
D652,225	S	1/2012	Andersen	
D652,226	S	1/2012	Andersen	
RE43,754	E	10/2012	Andersen	
D687,241	S *	8/2013	Beucler D6/381
D719,755	S *	12/2014	Kanhasamy D6/381
2012/0297535	A1 *	11/2012	Kanhasamy A47C 20/043 5/12.1
2017/0150818	A1 *	6/2017	Contreras A47C 1/032

* cited by examiner

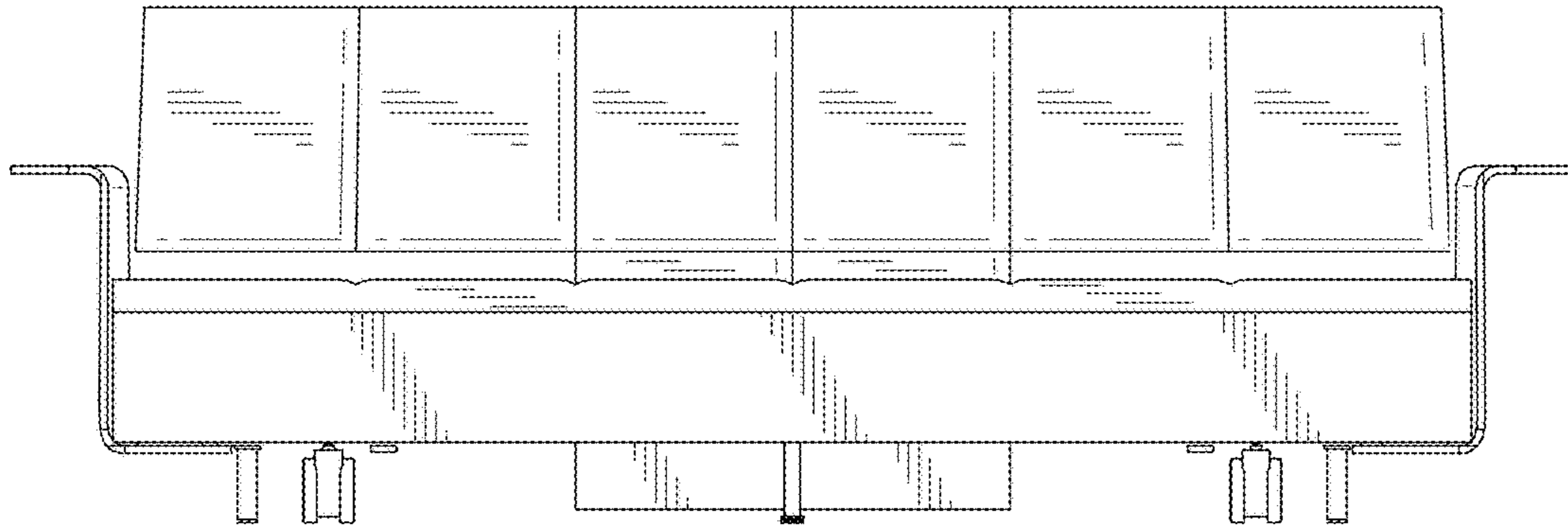


FIG. 1

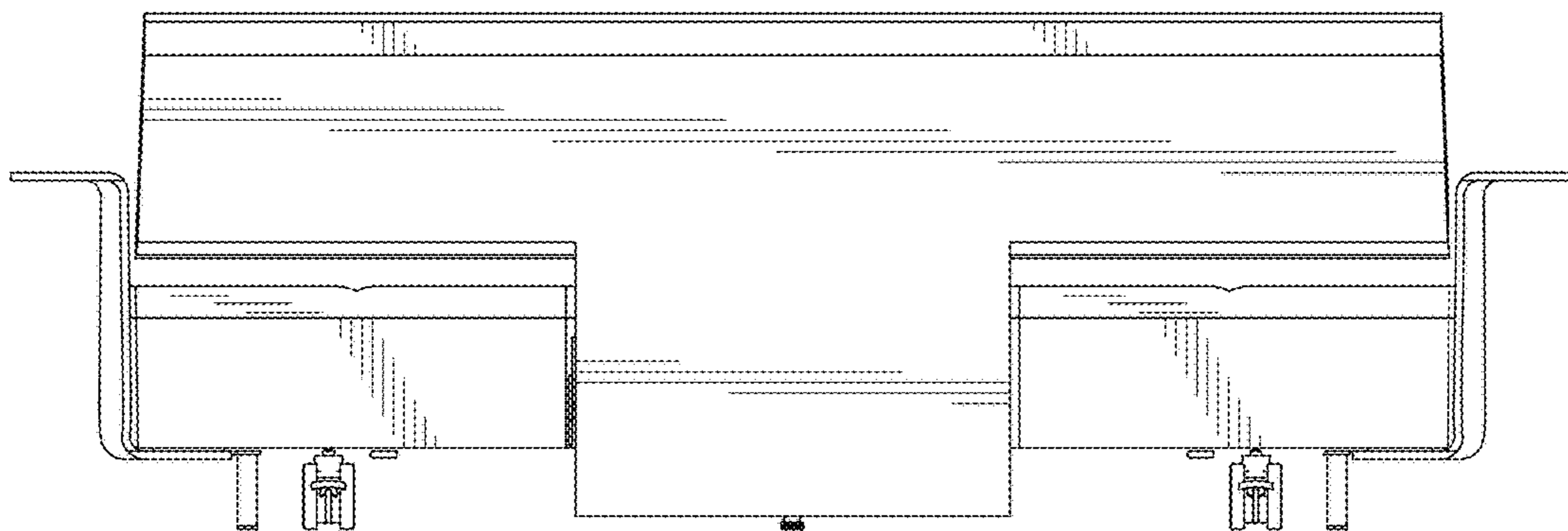


FIG. 2

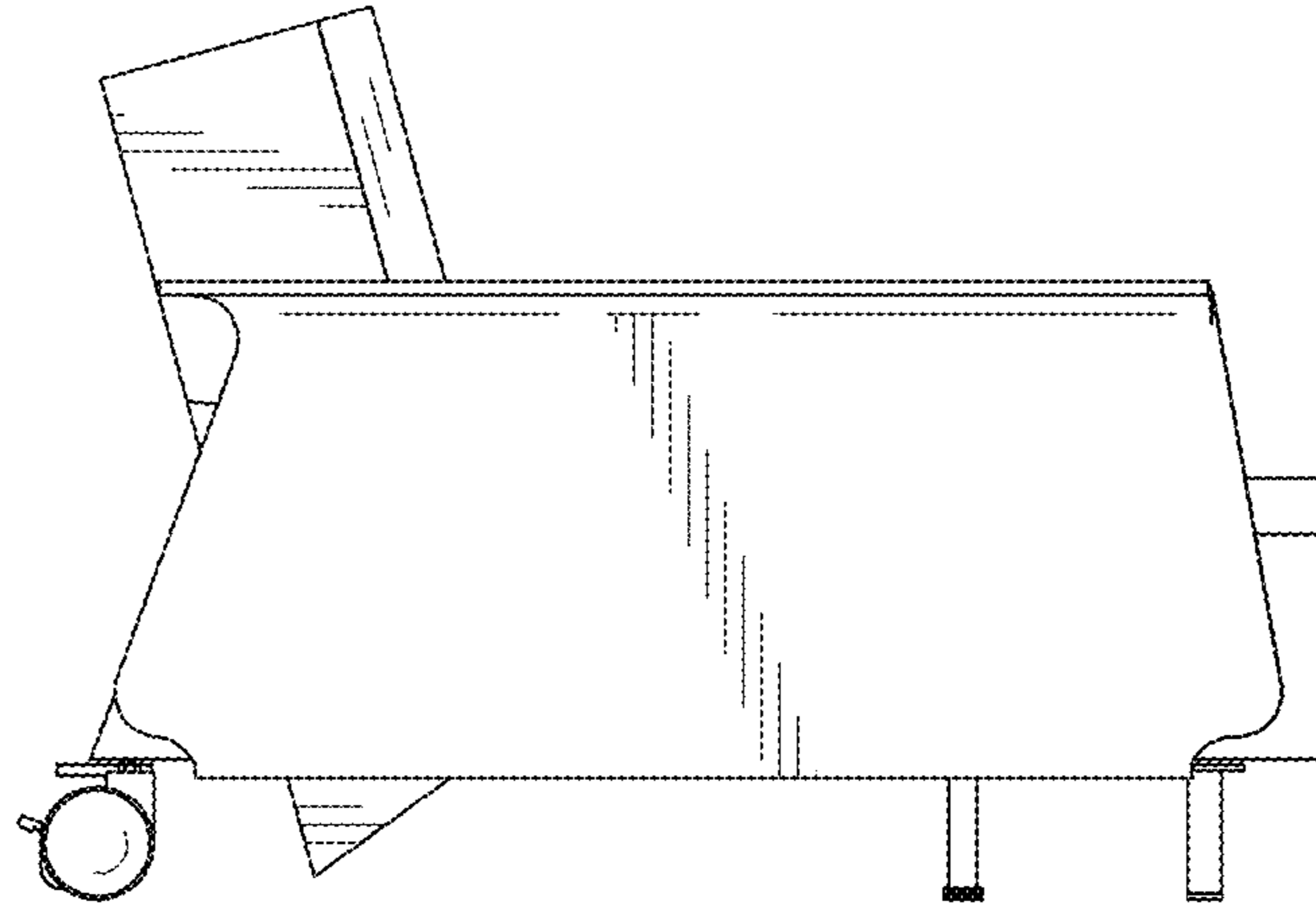


FIG. 3

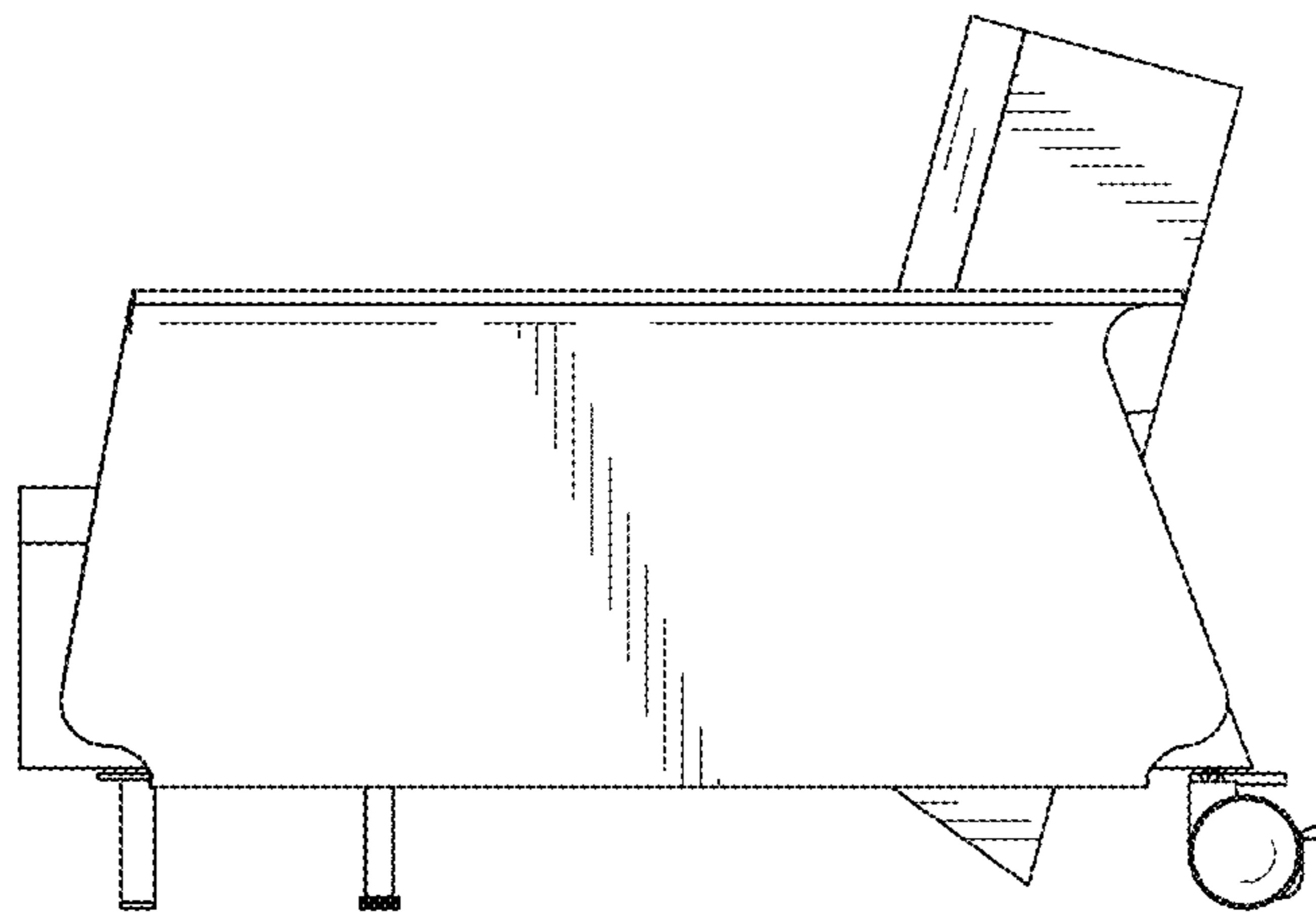


FIG. 4

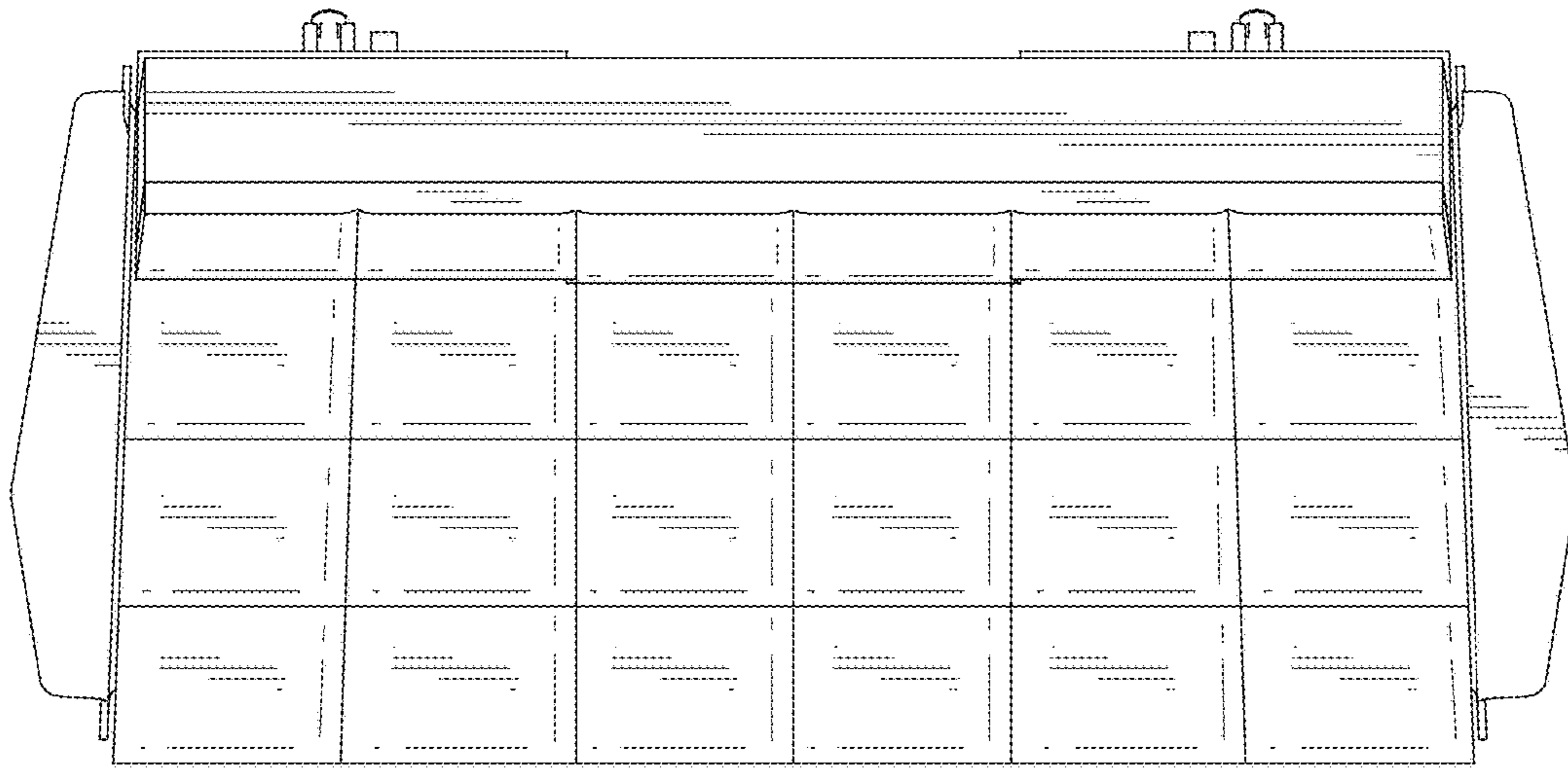


FIG. 5

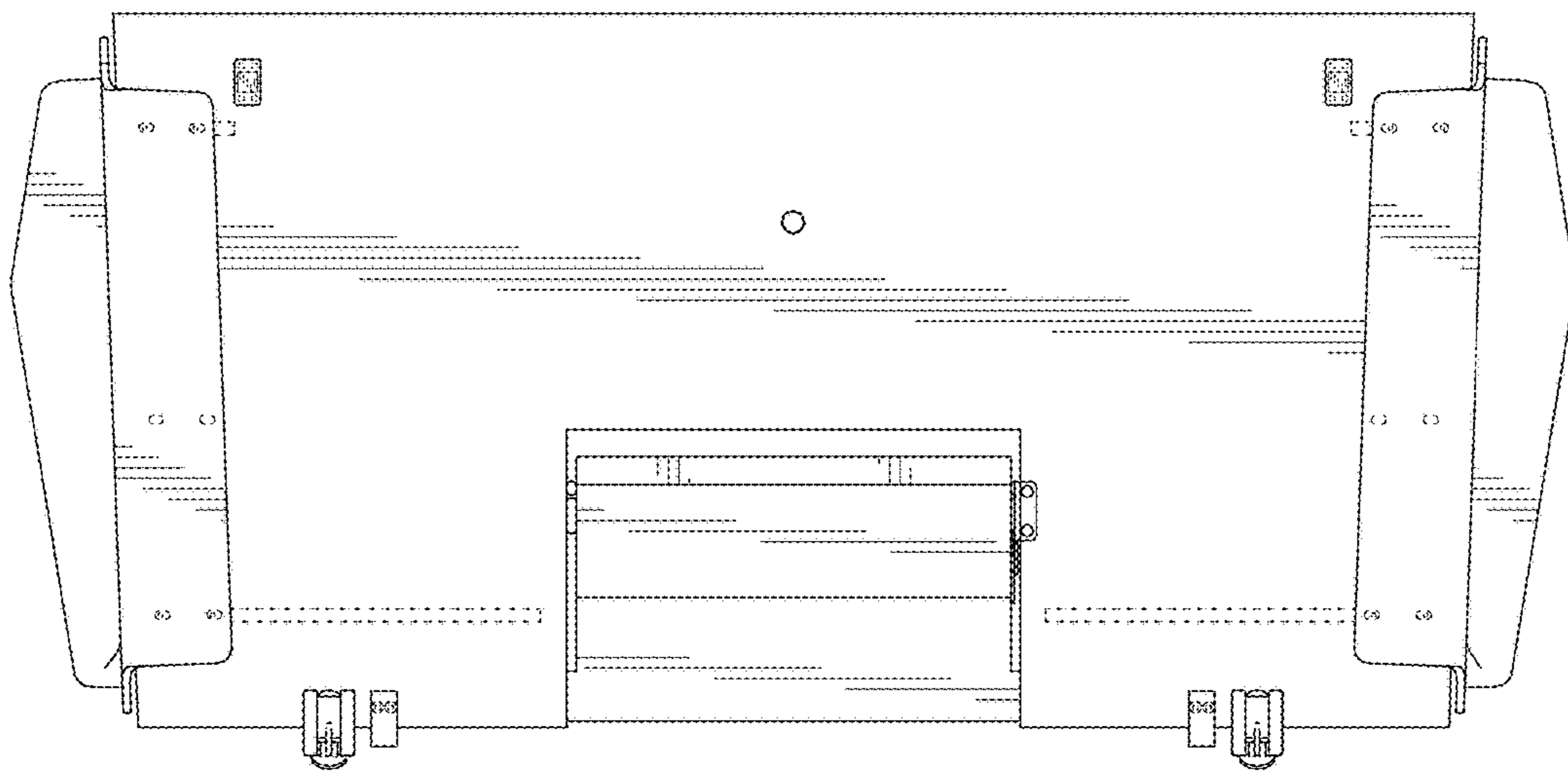


FIG. 6

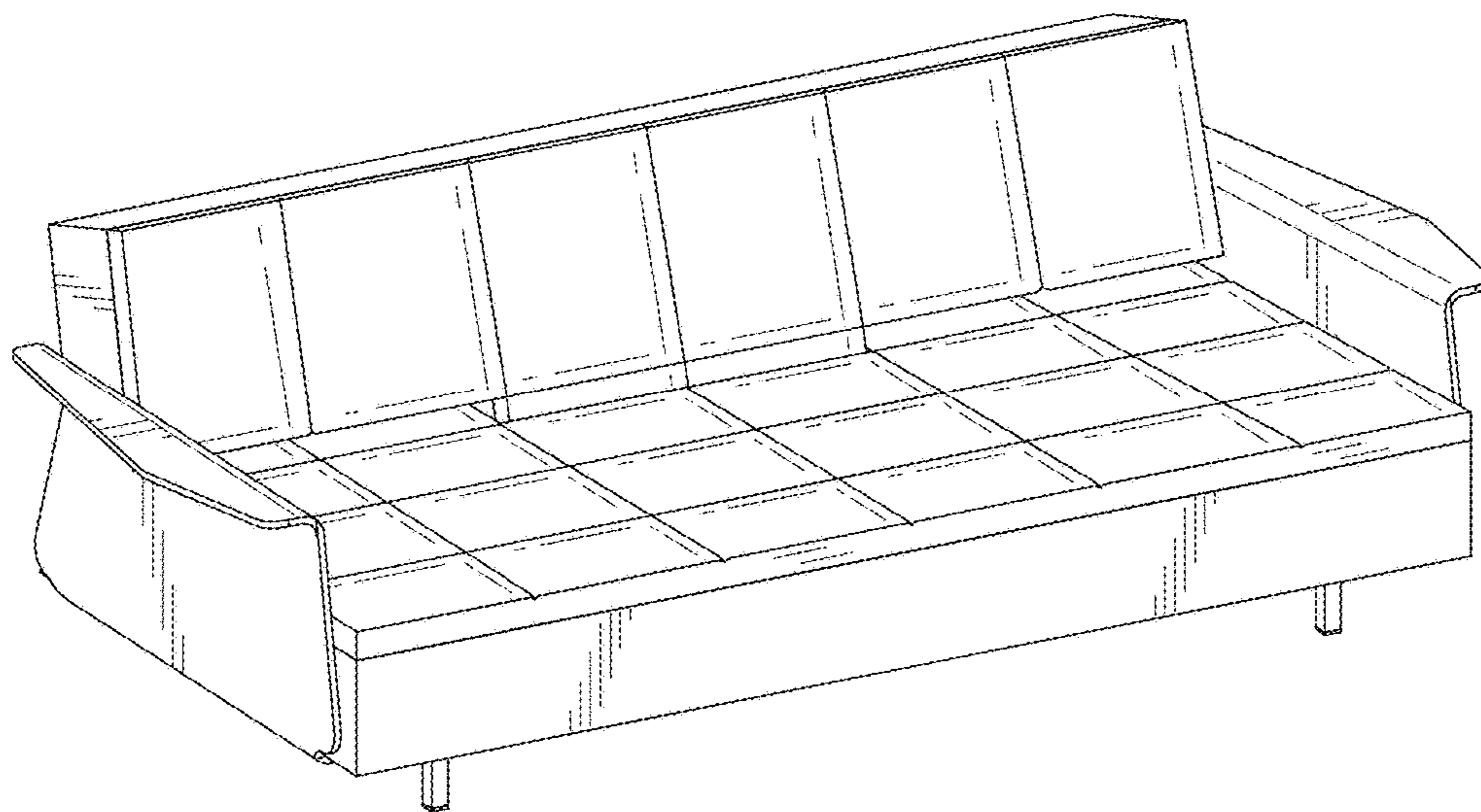


FIG. 7

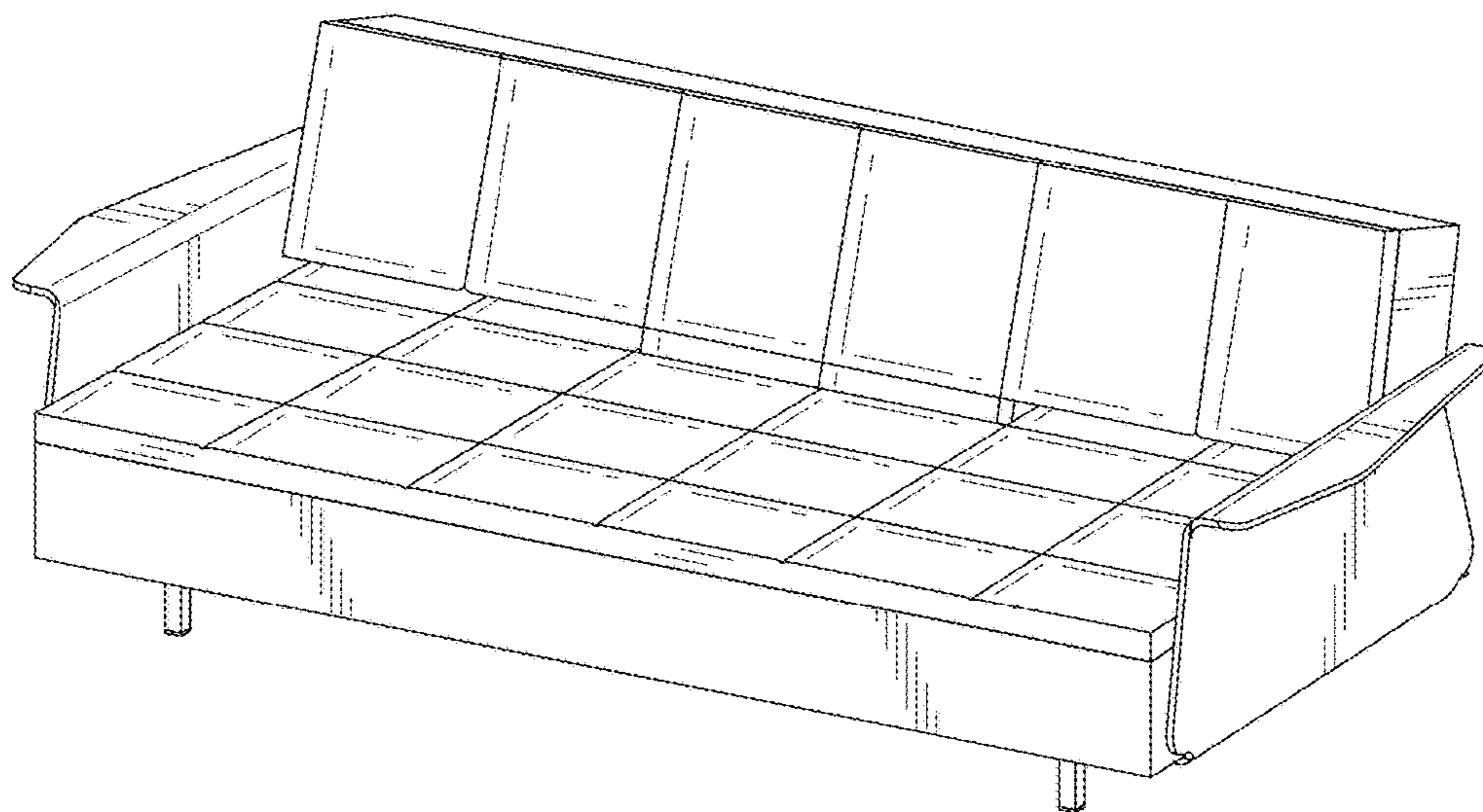


FIG. 8

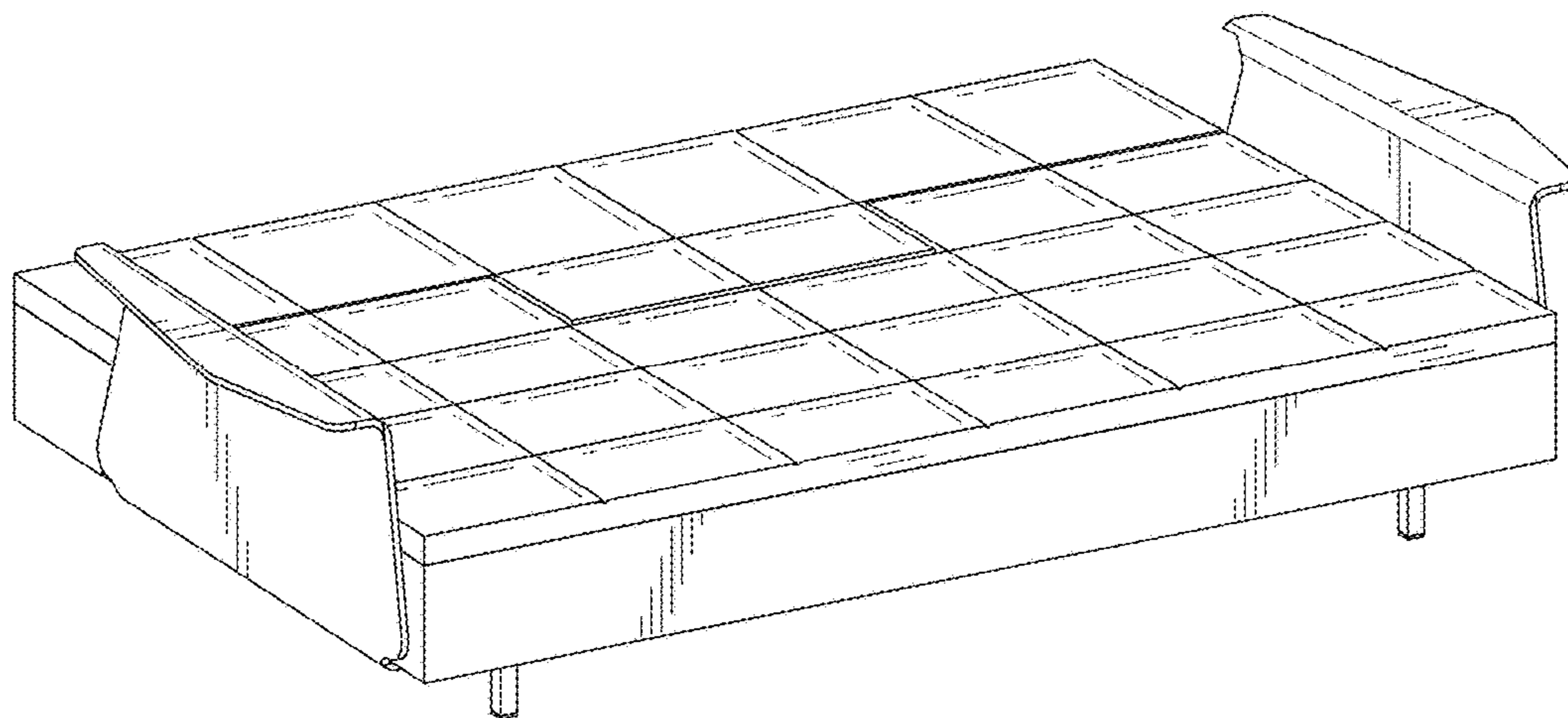


FIG. 9

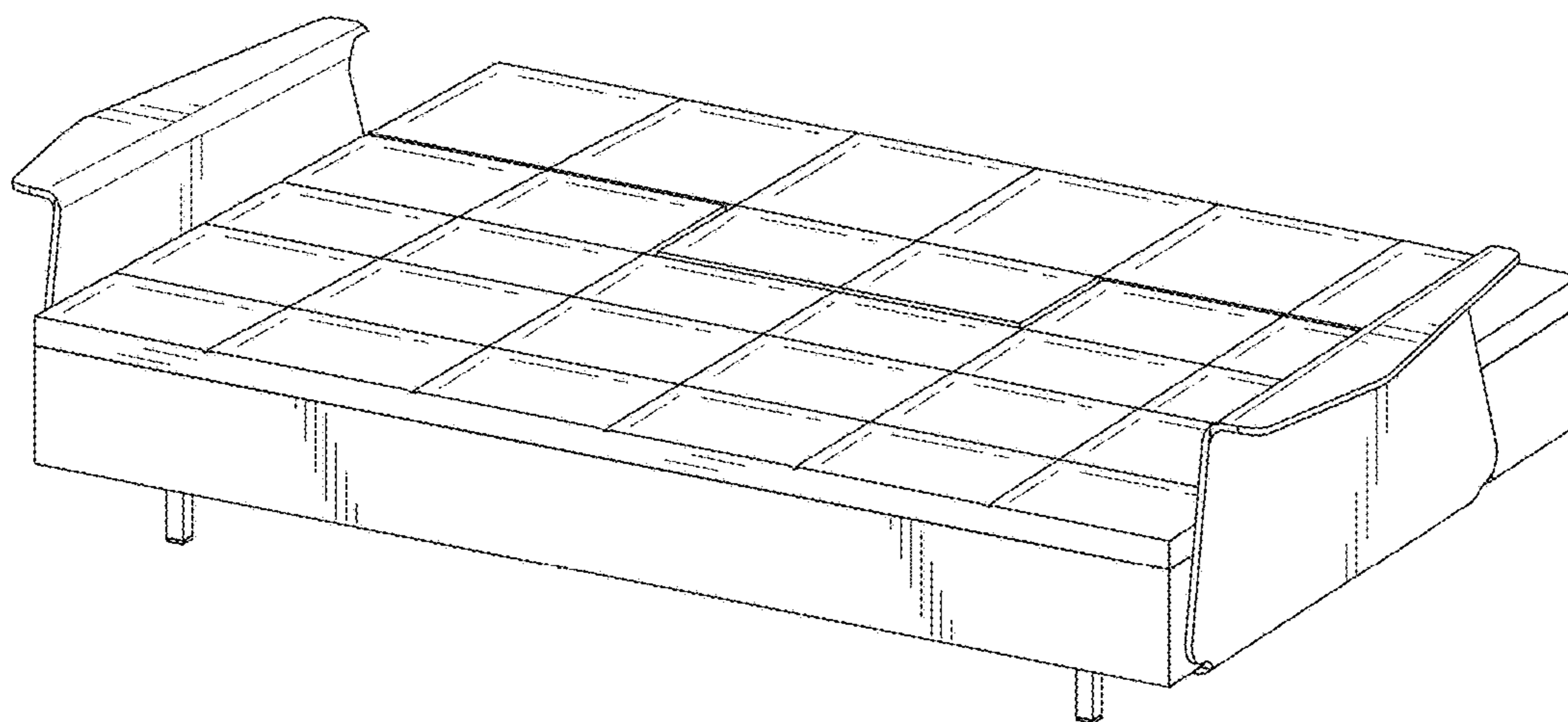


FIG. 10

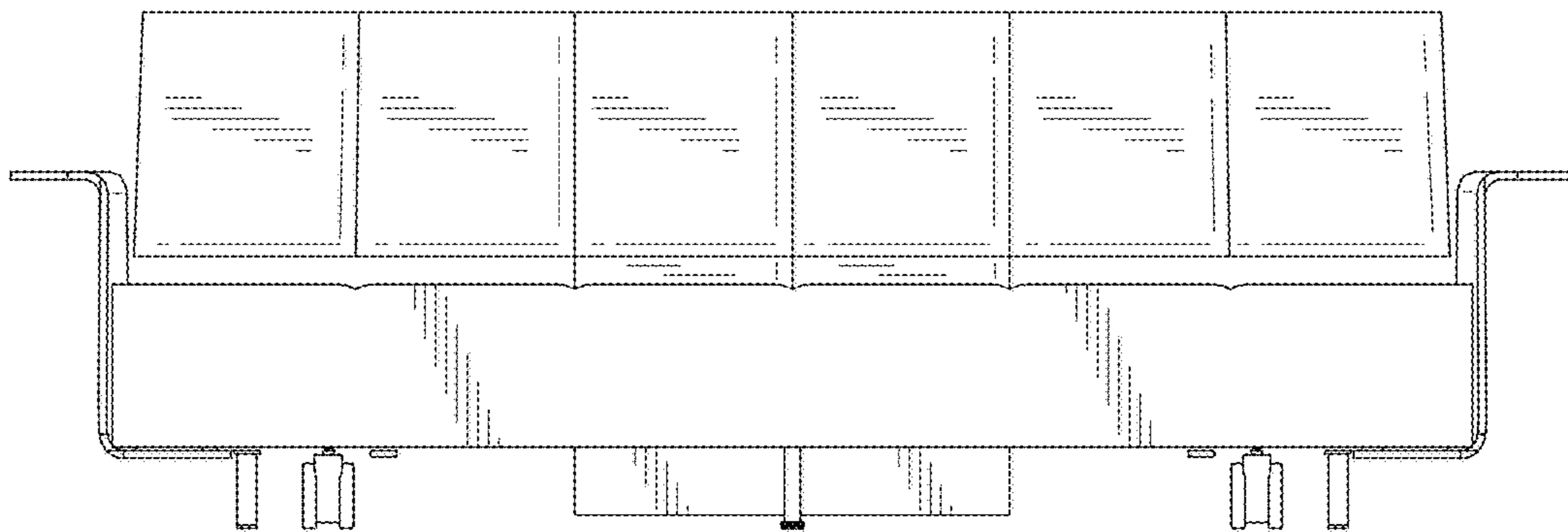


FIG. 11

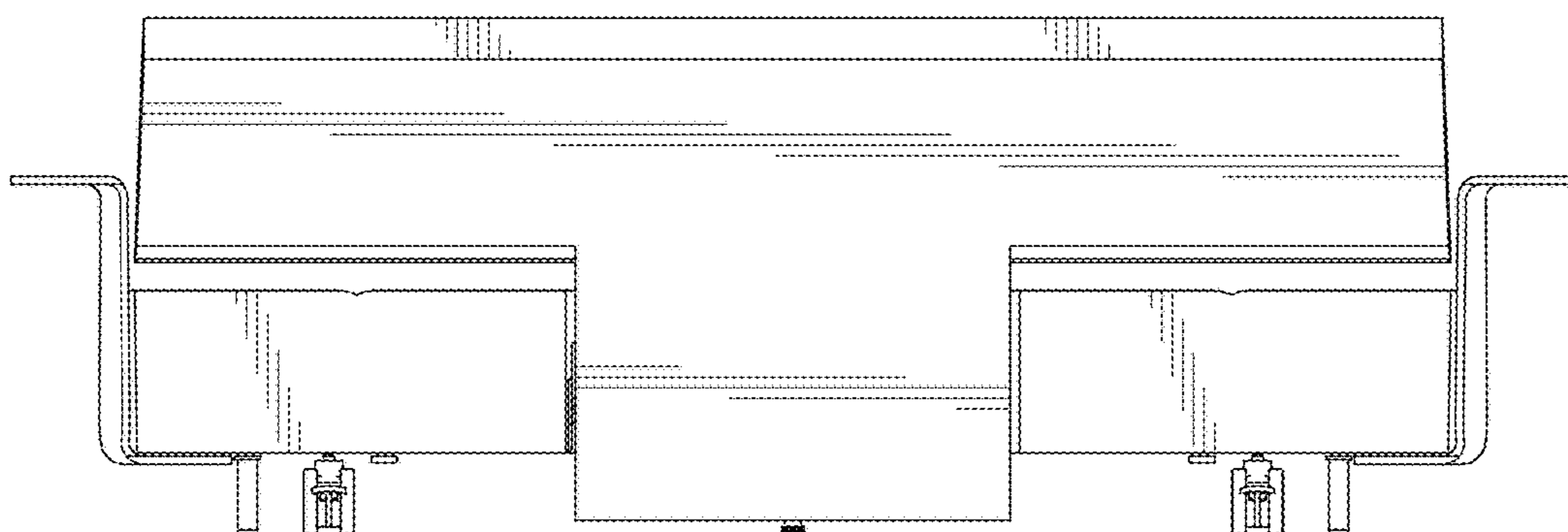


FIG. 12

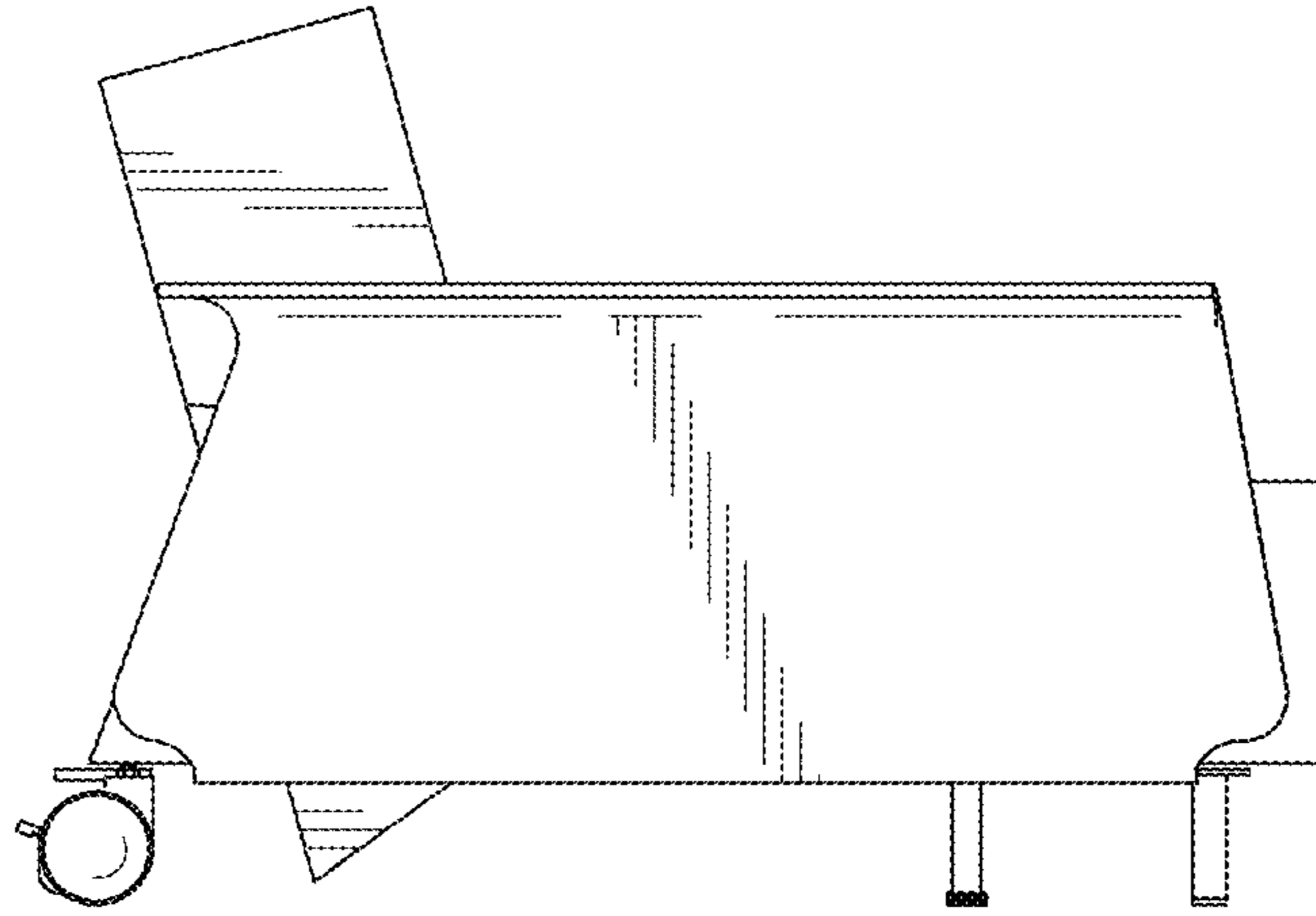


FIG. 13

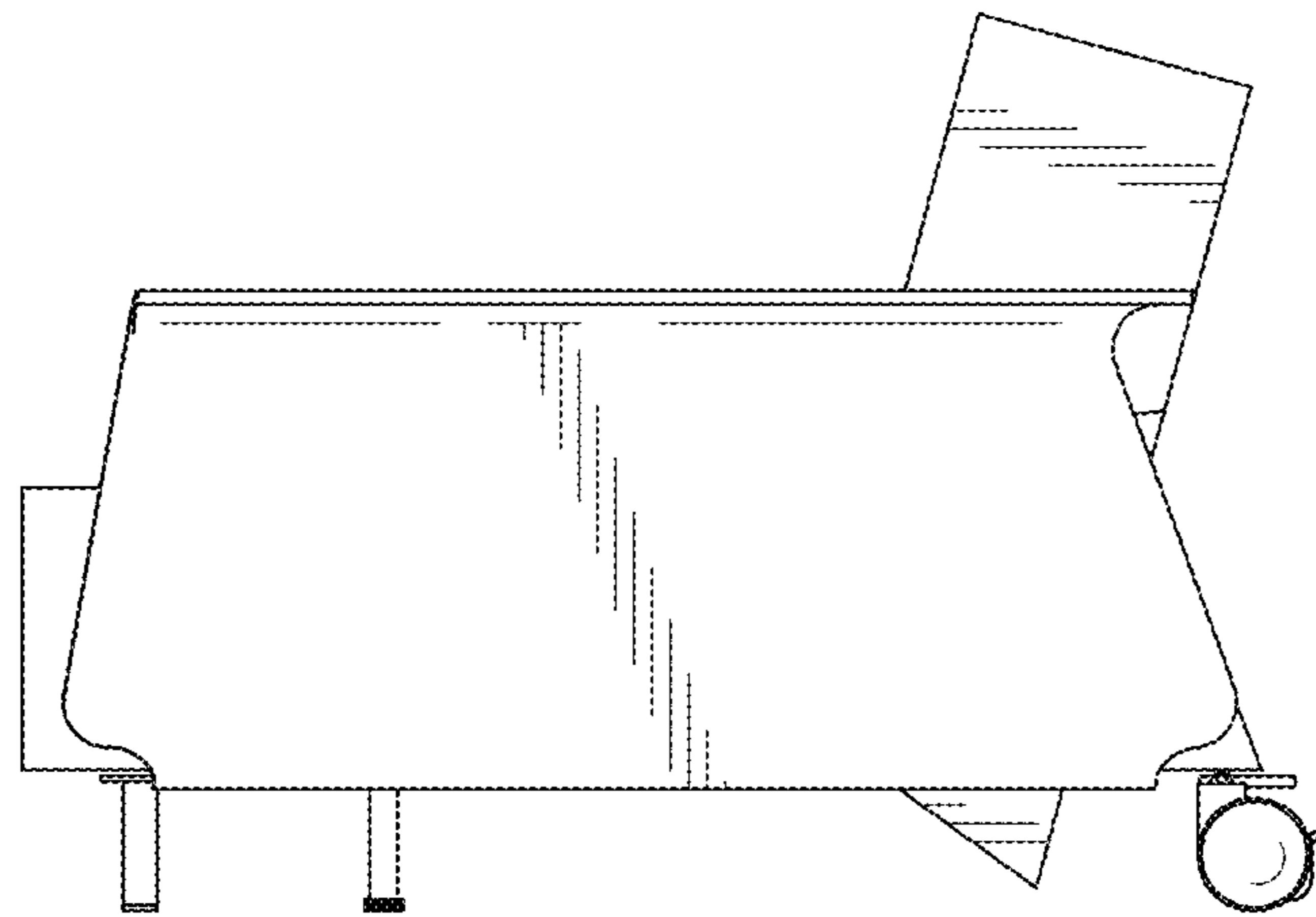


FIG. 14

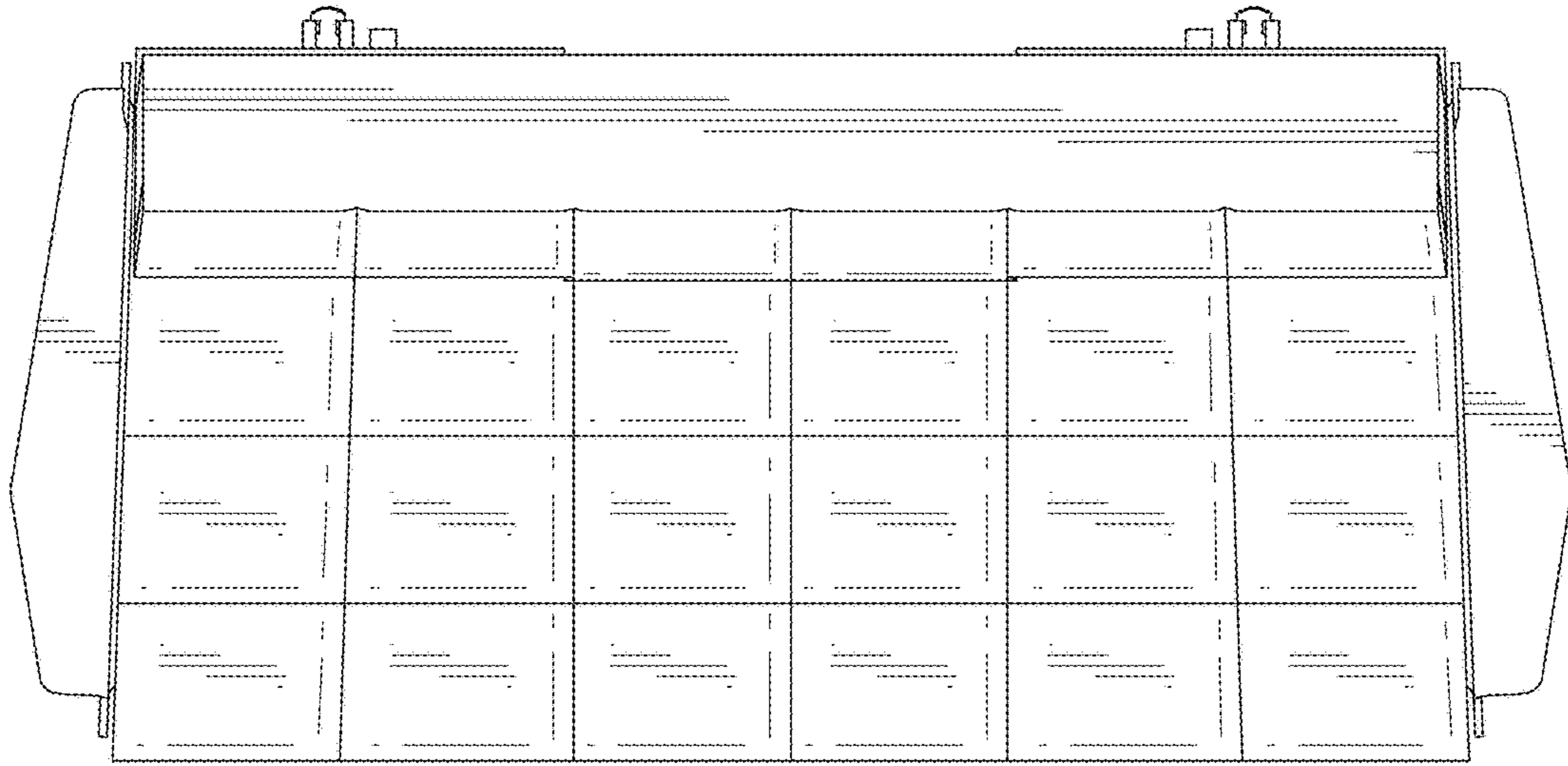


FIG. 15

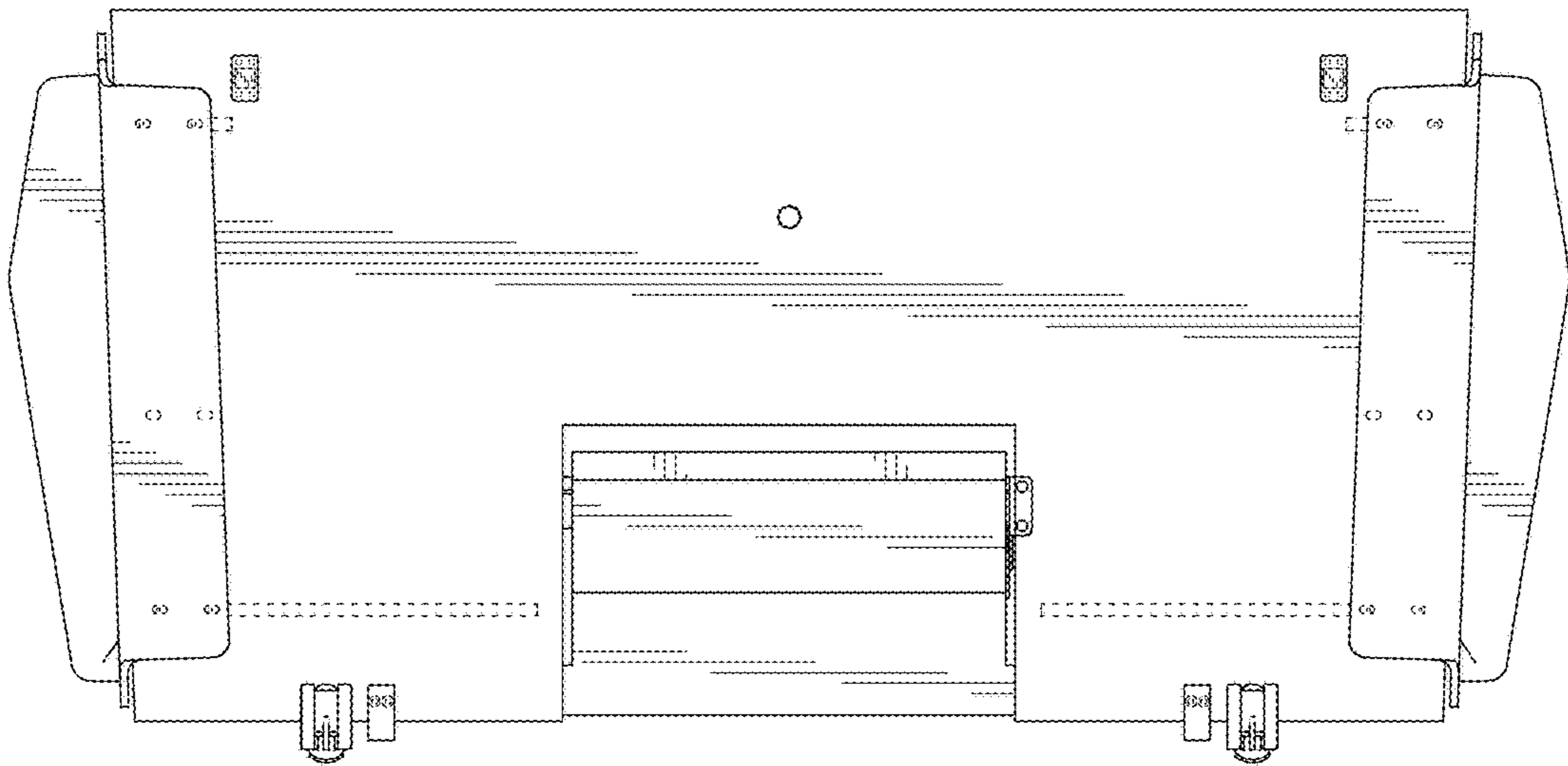


FIG. 16

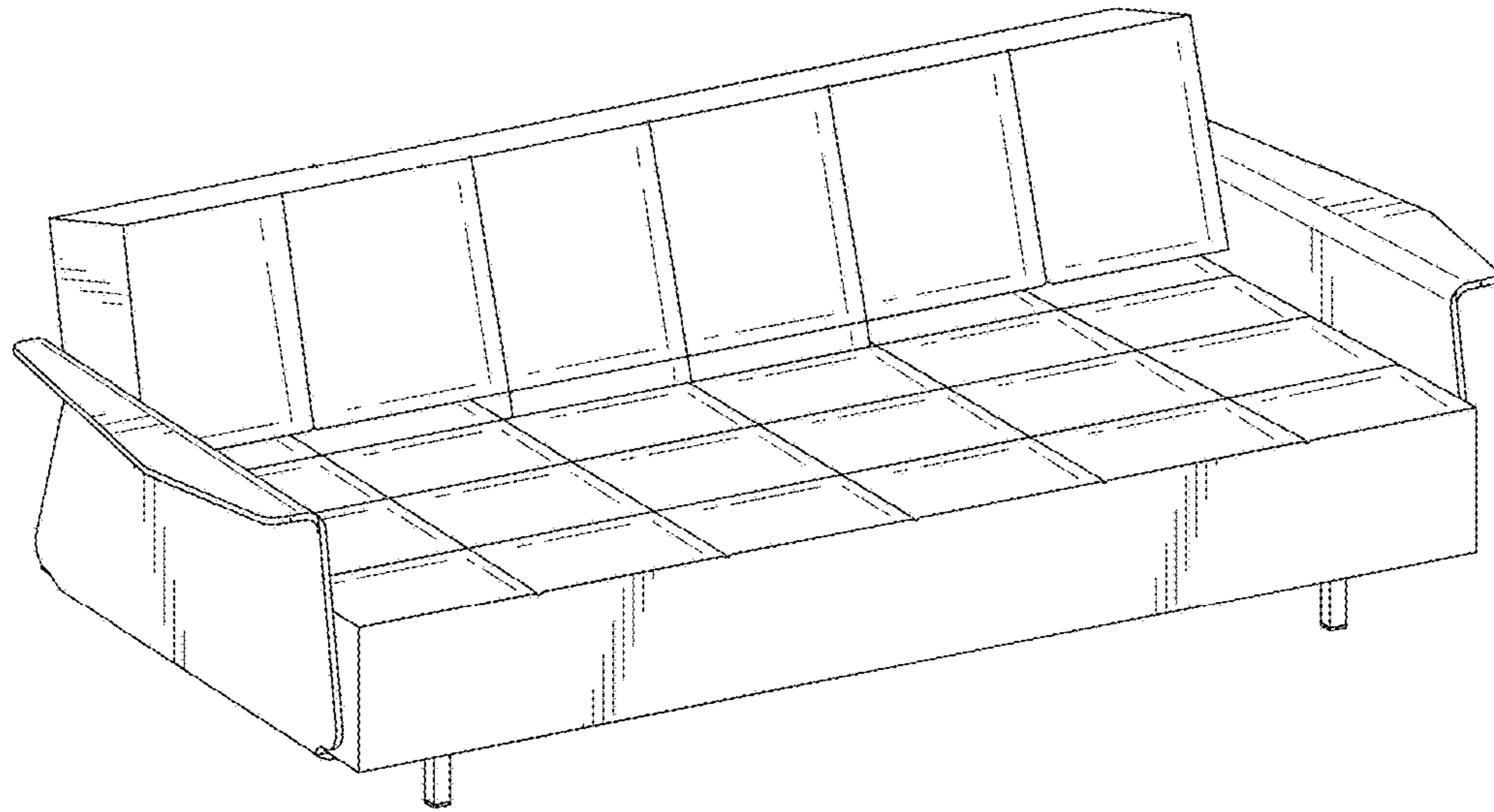


FIG. 17

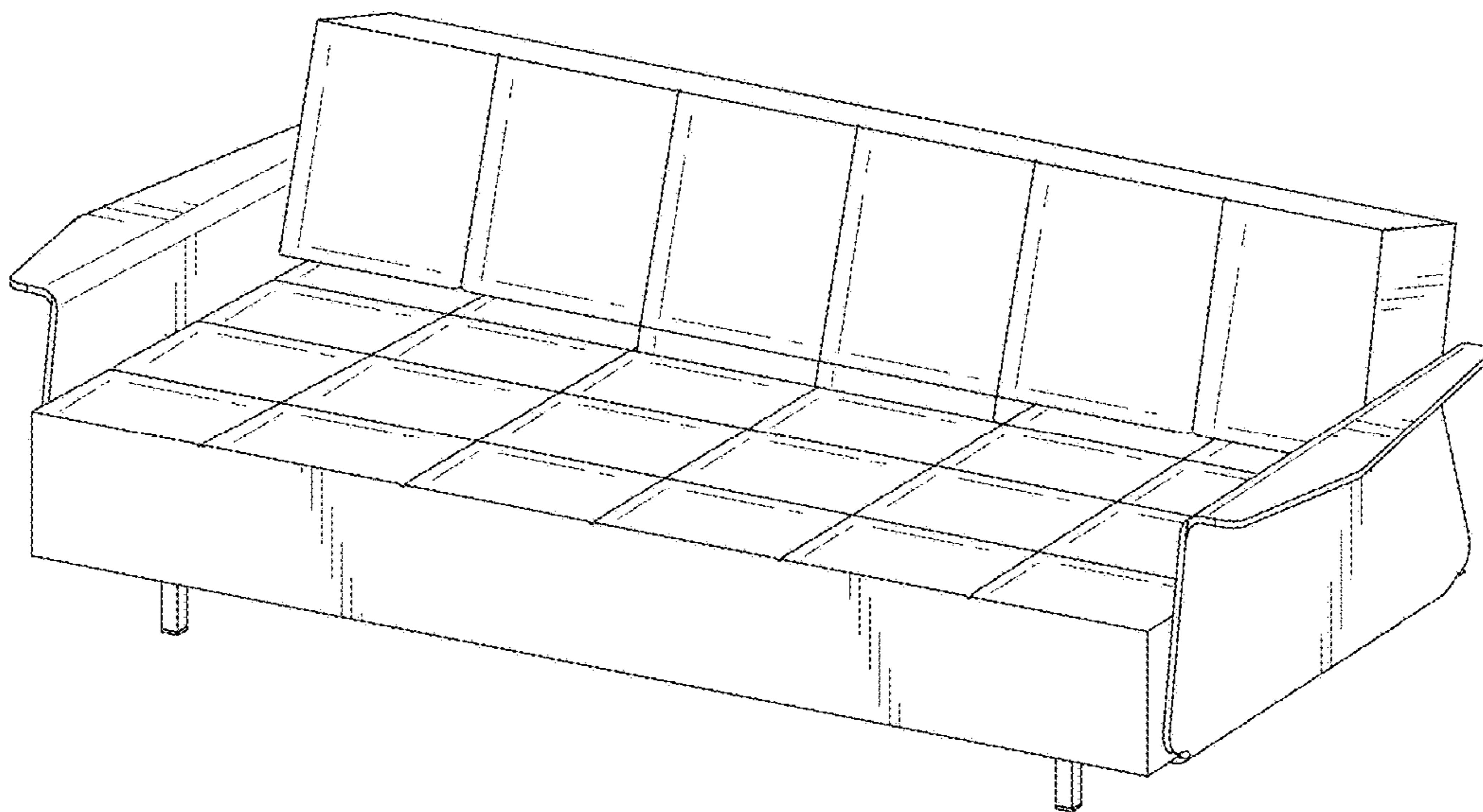


FIG. 18

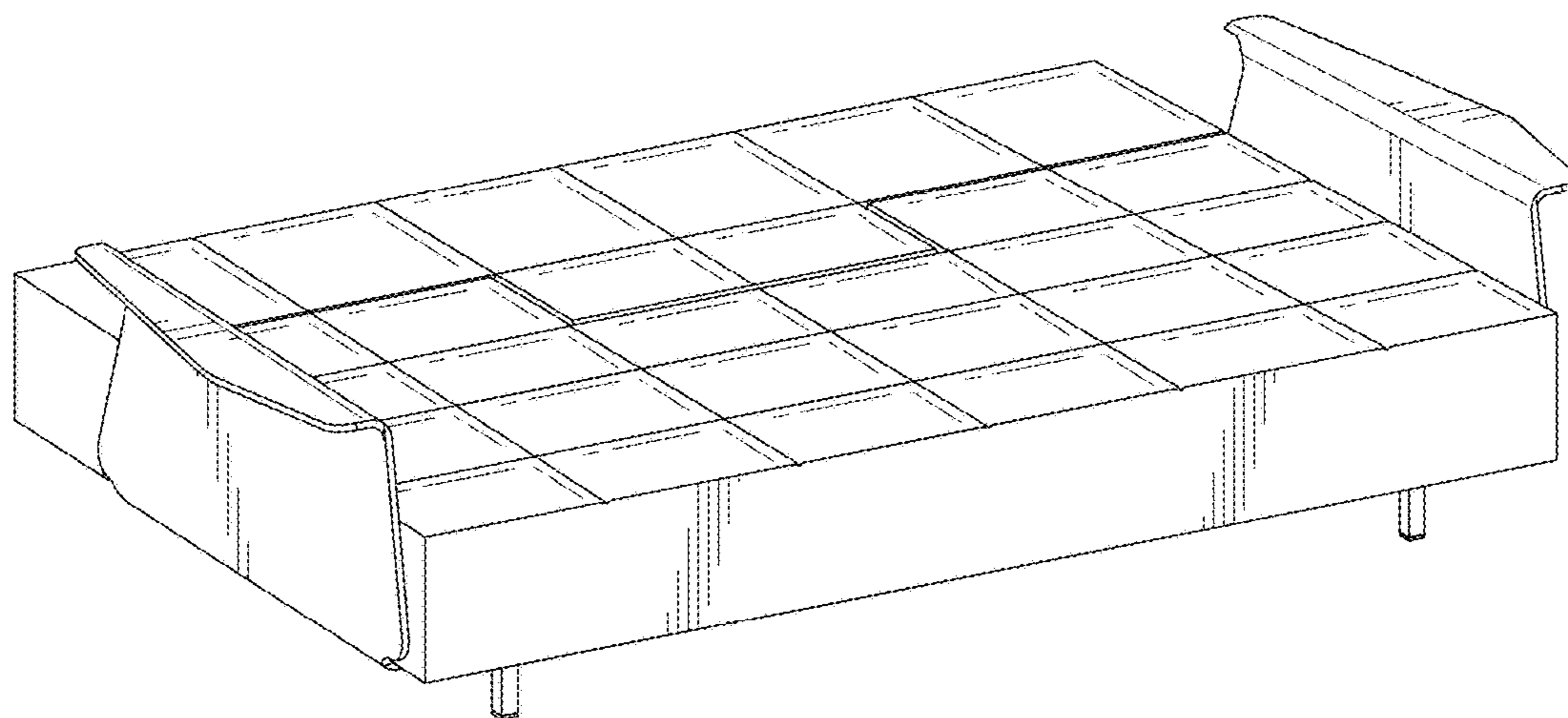


FIG. 19

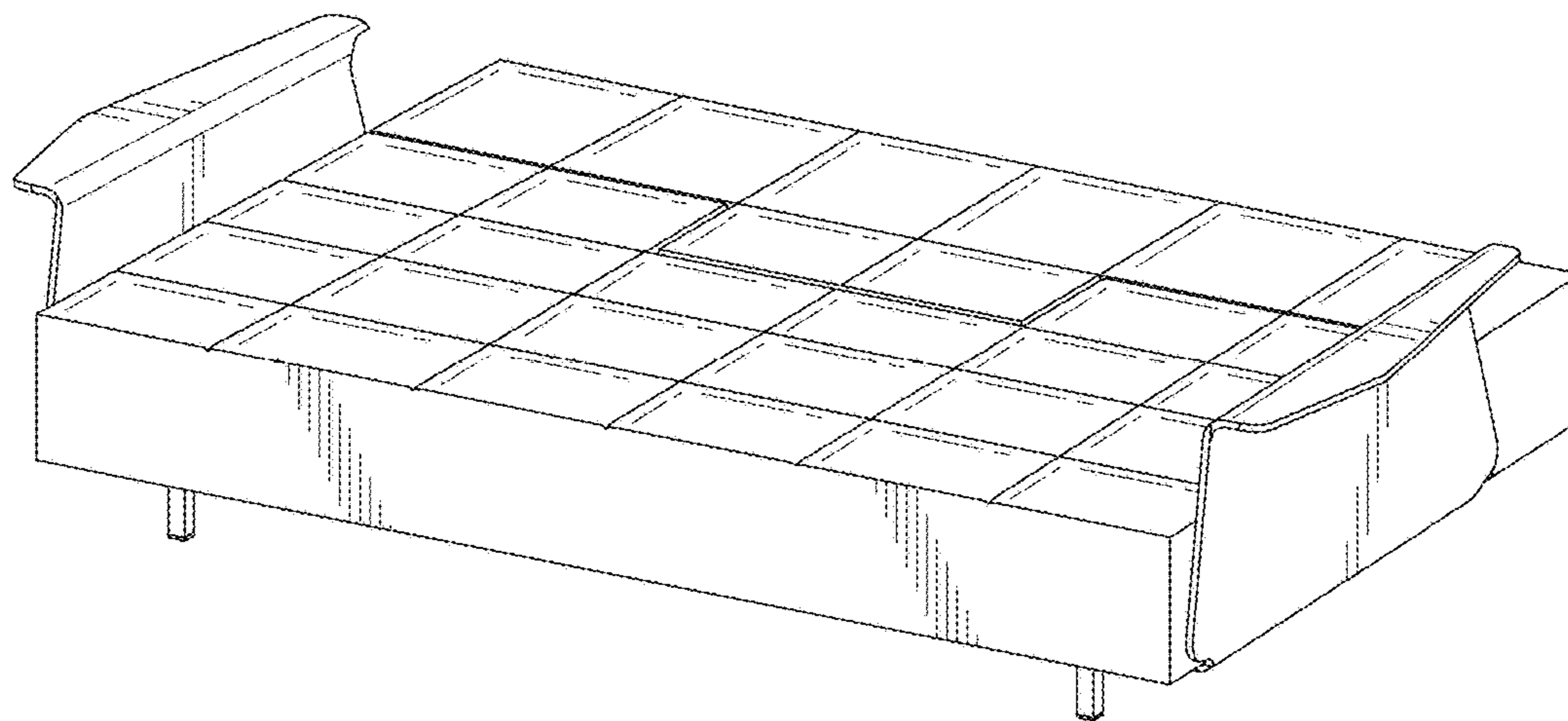


FIG. 20

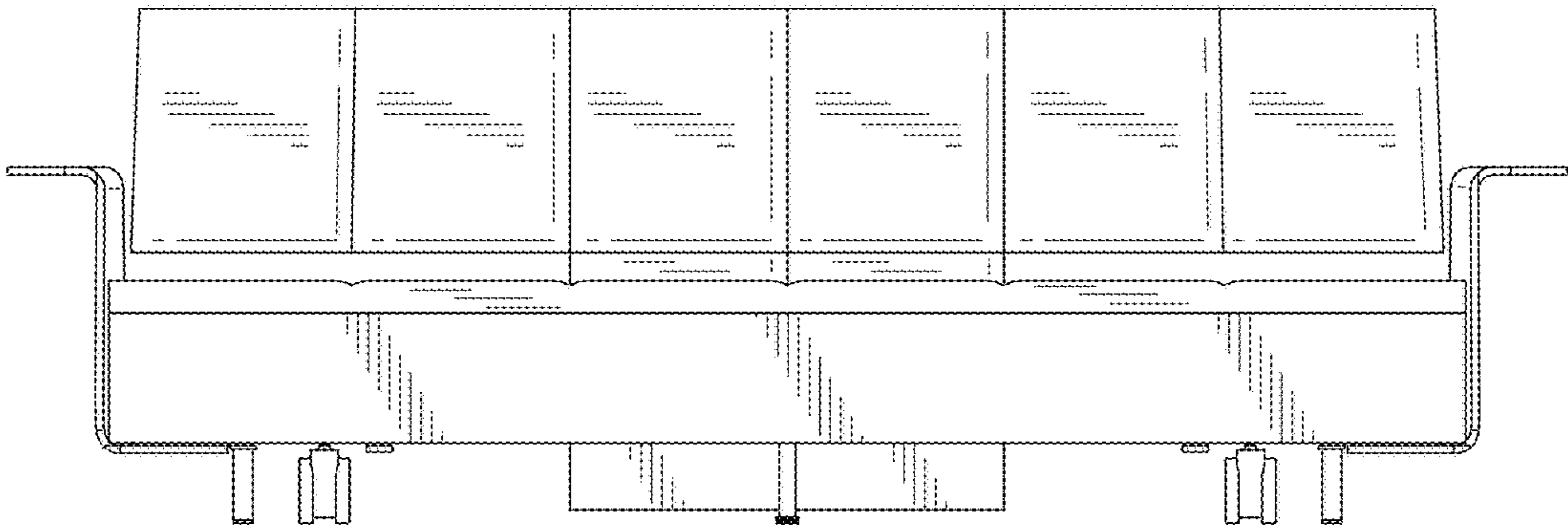


FIG. 21

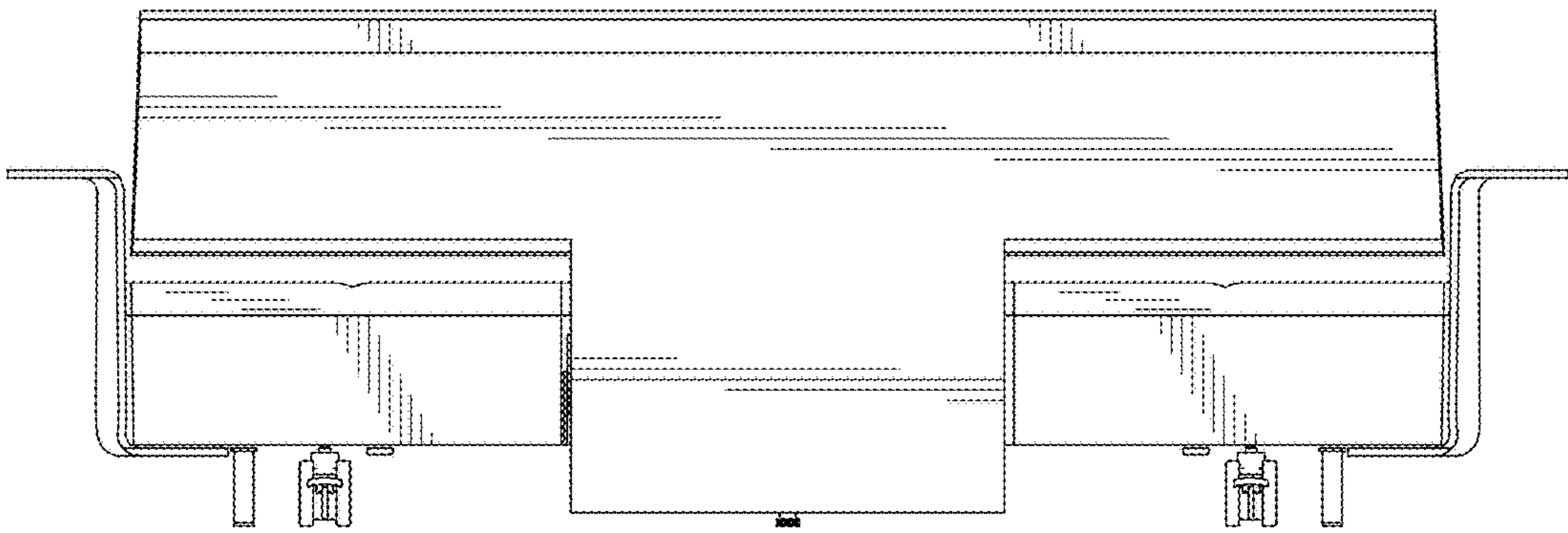


FIG. 22

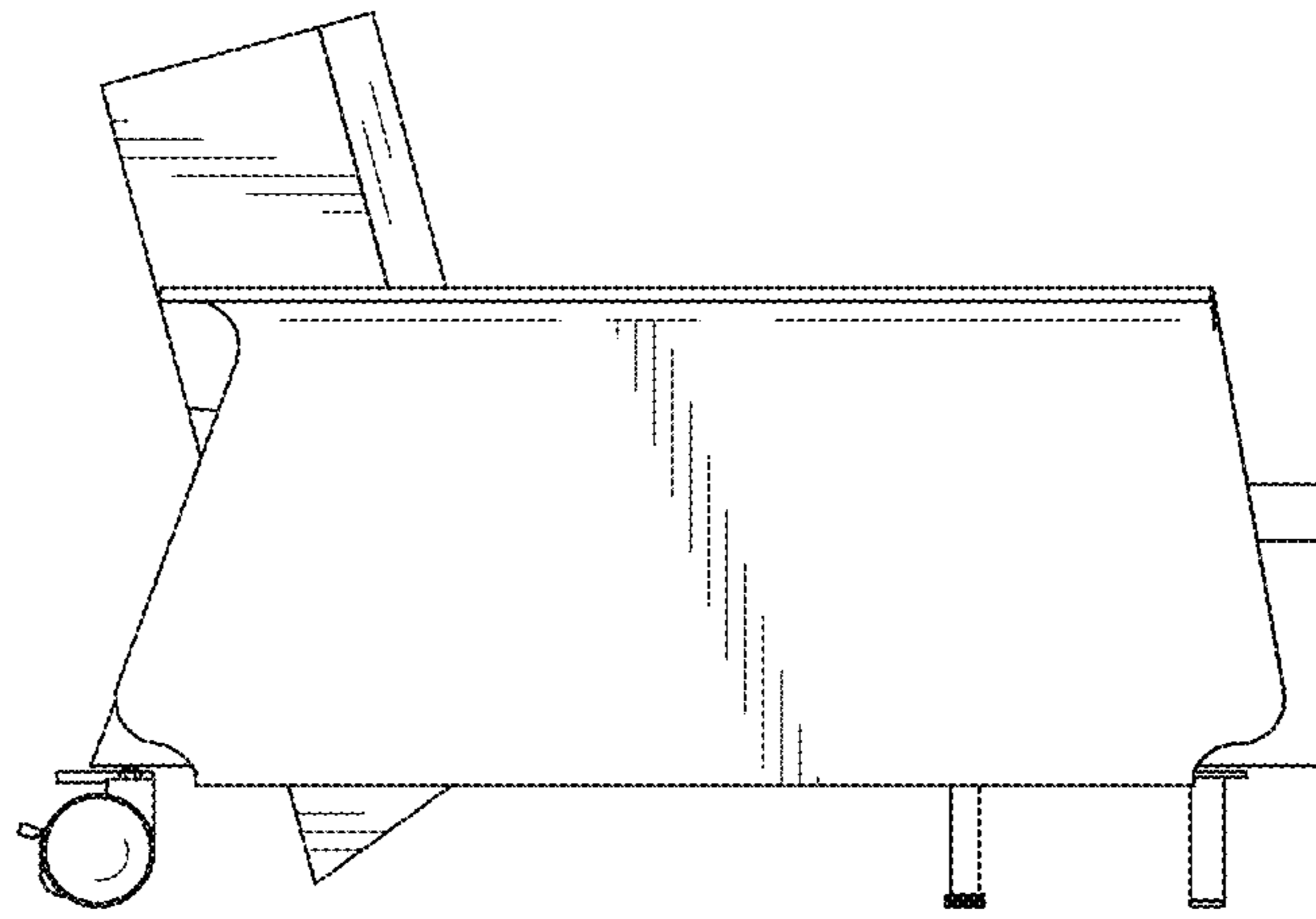


FIG. 23

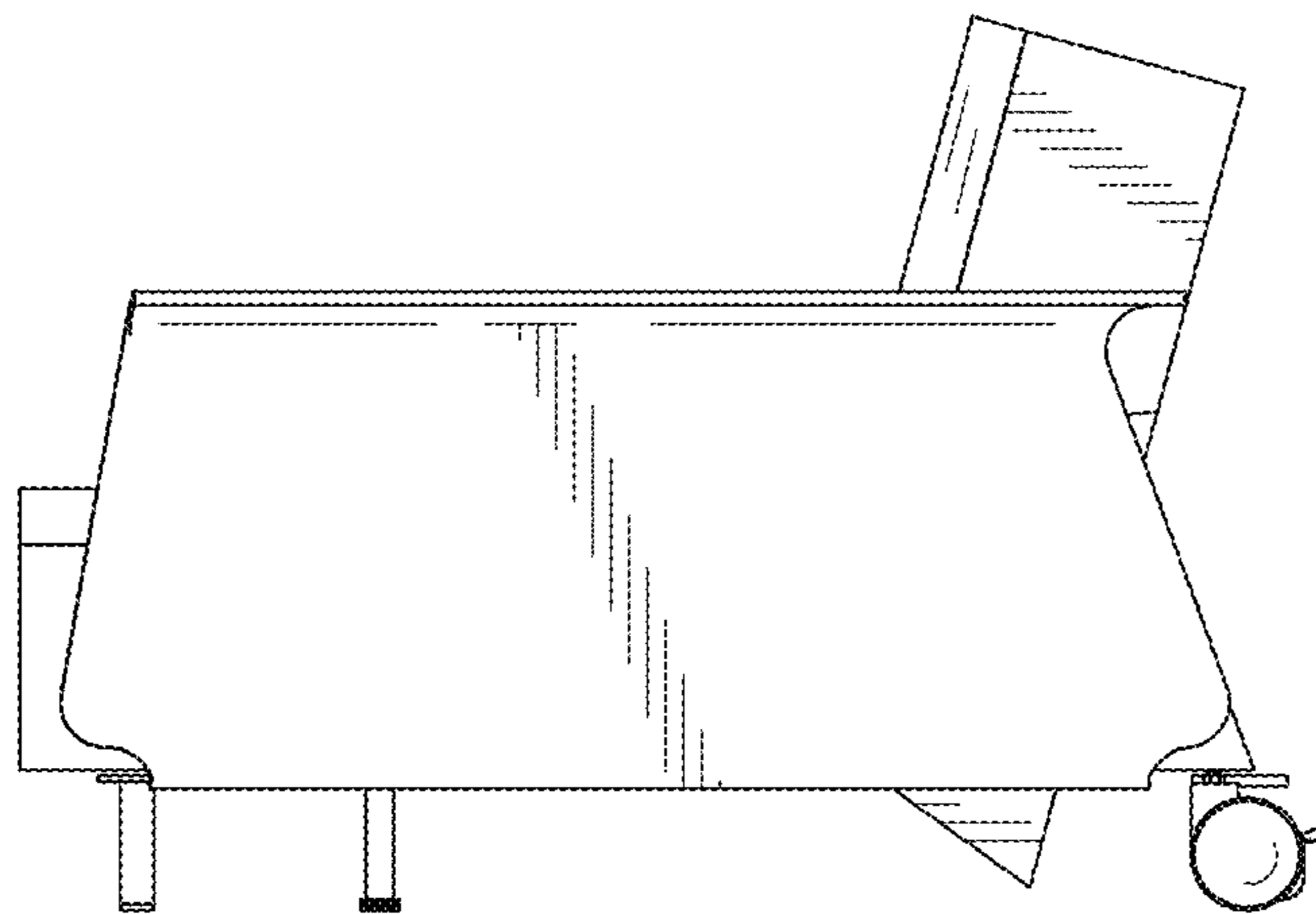


FIG. 24

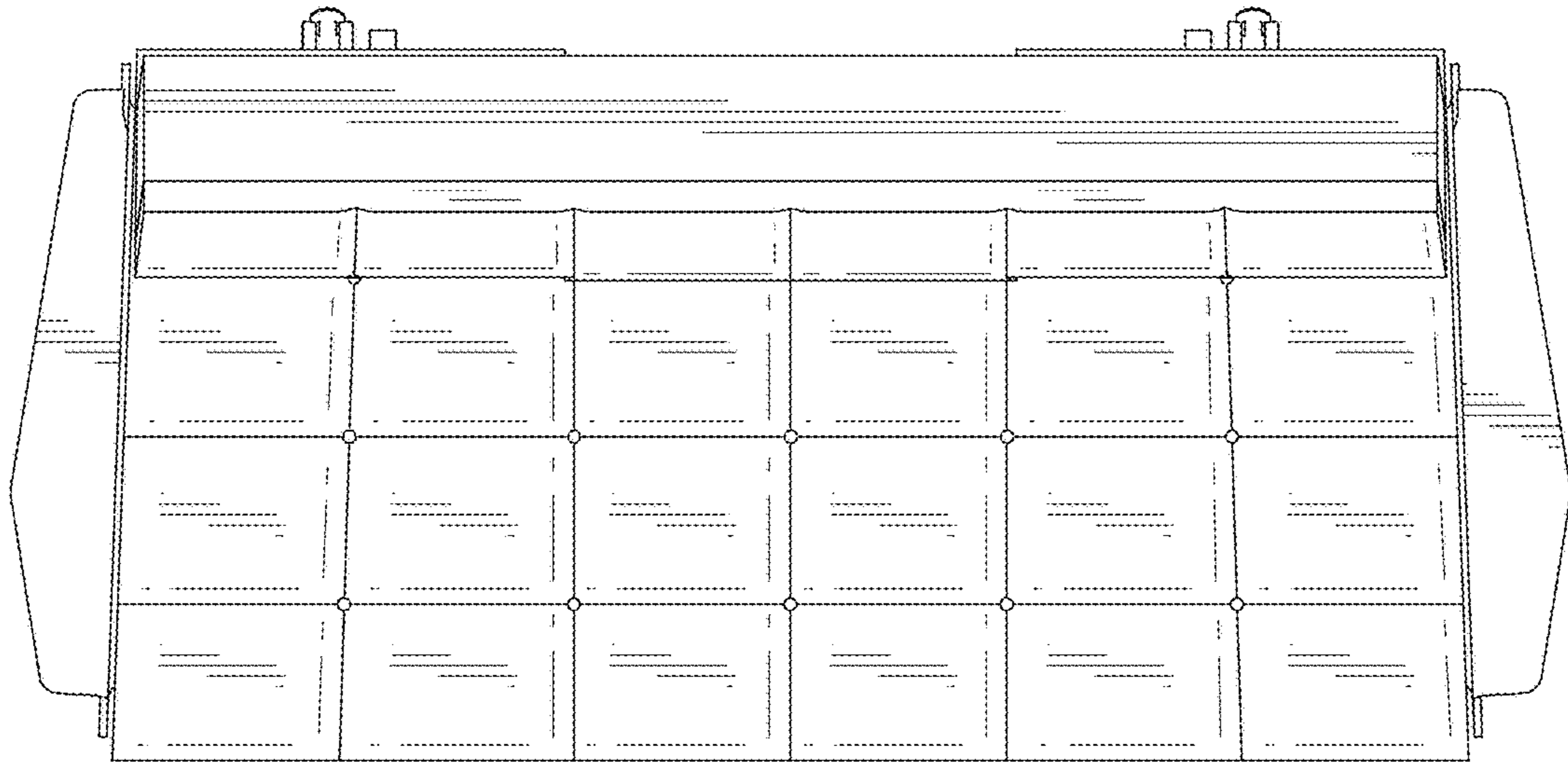


FIG. 25

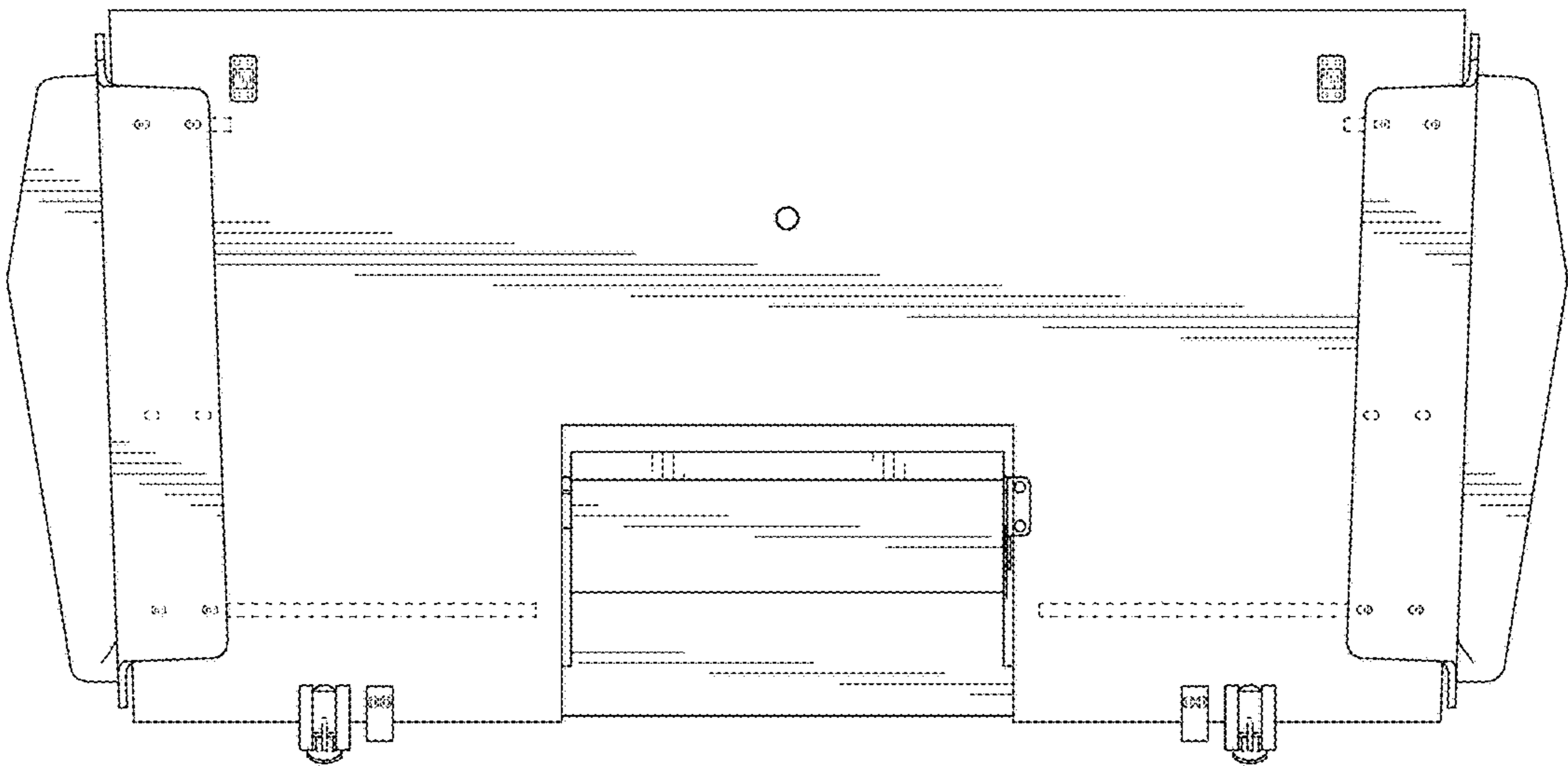


FIG. 26

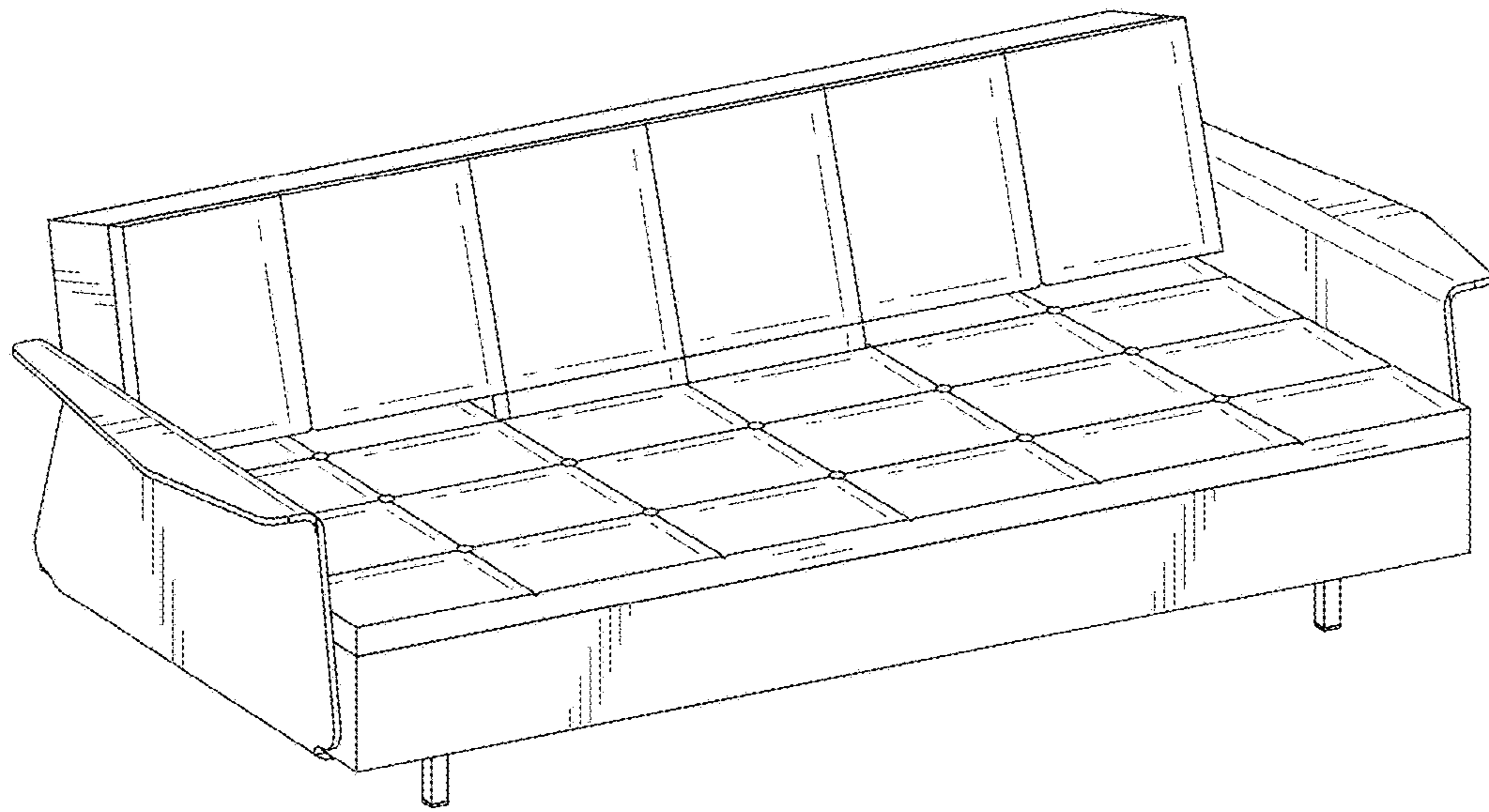


FIG. 27

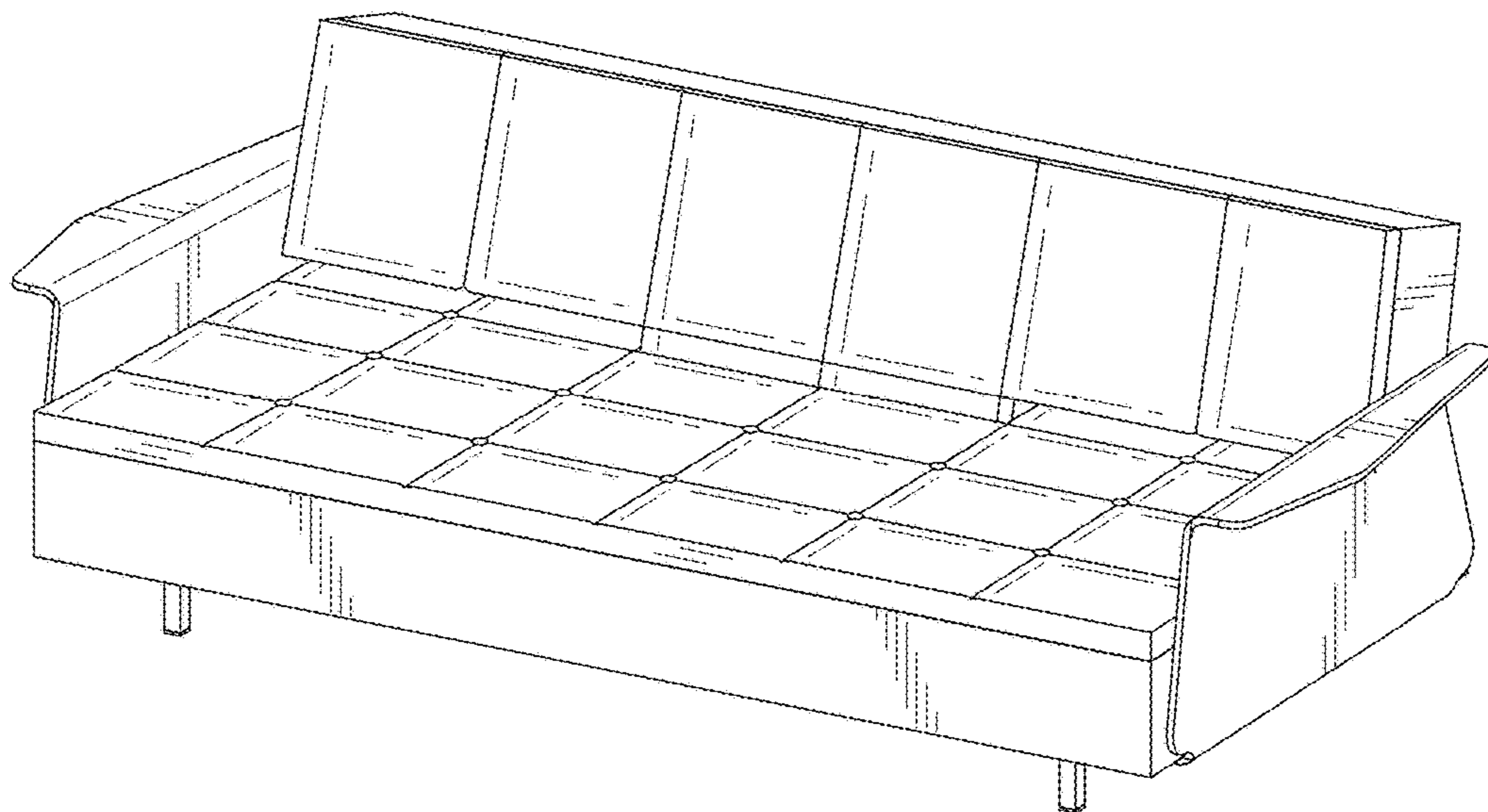


FIG. 28

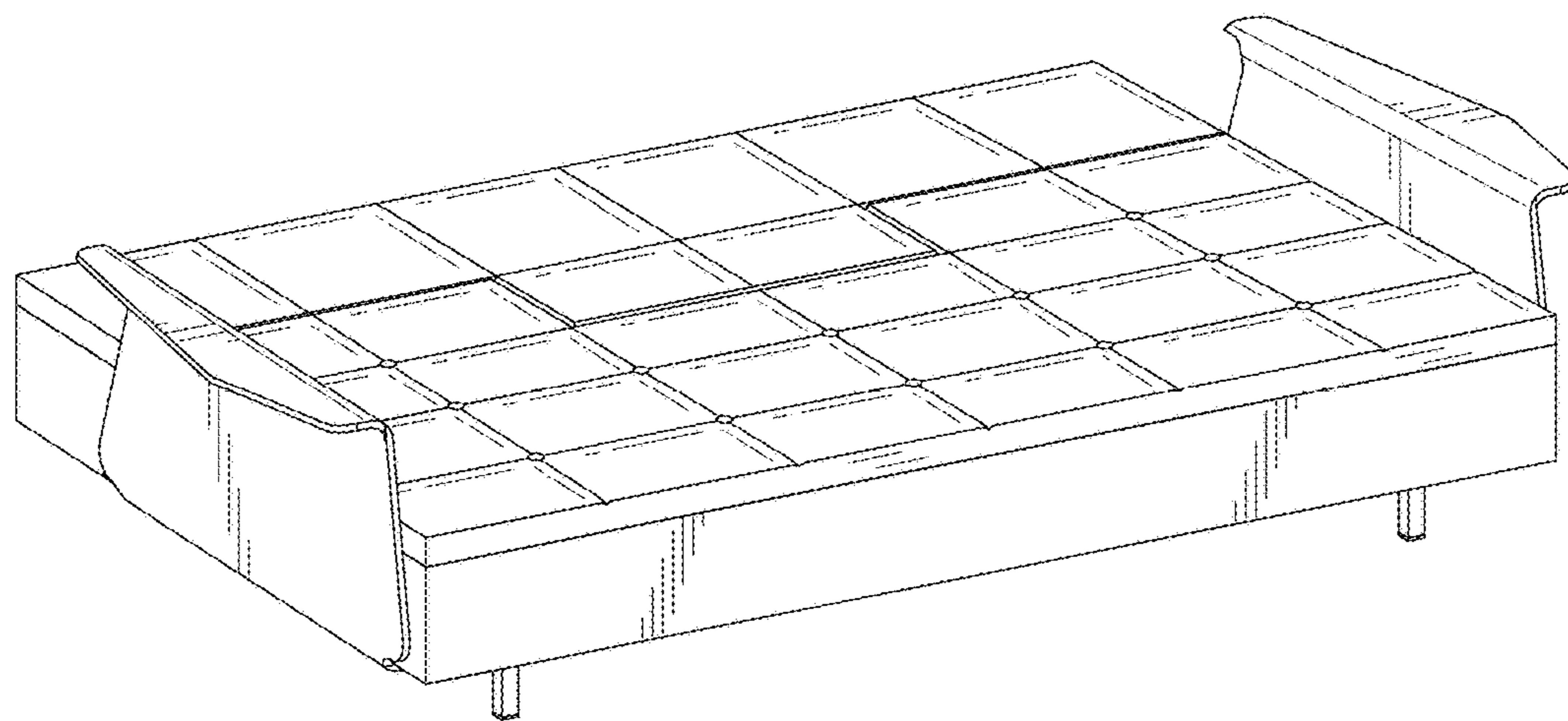


FIG. 29

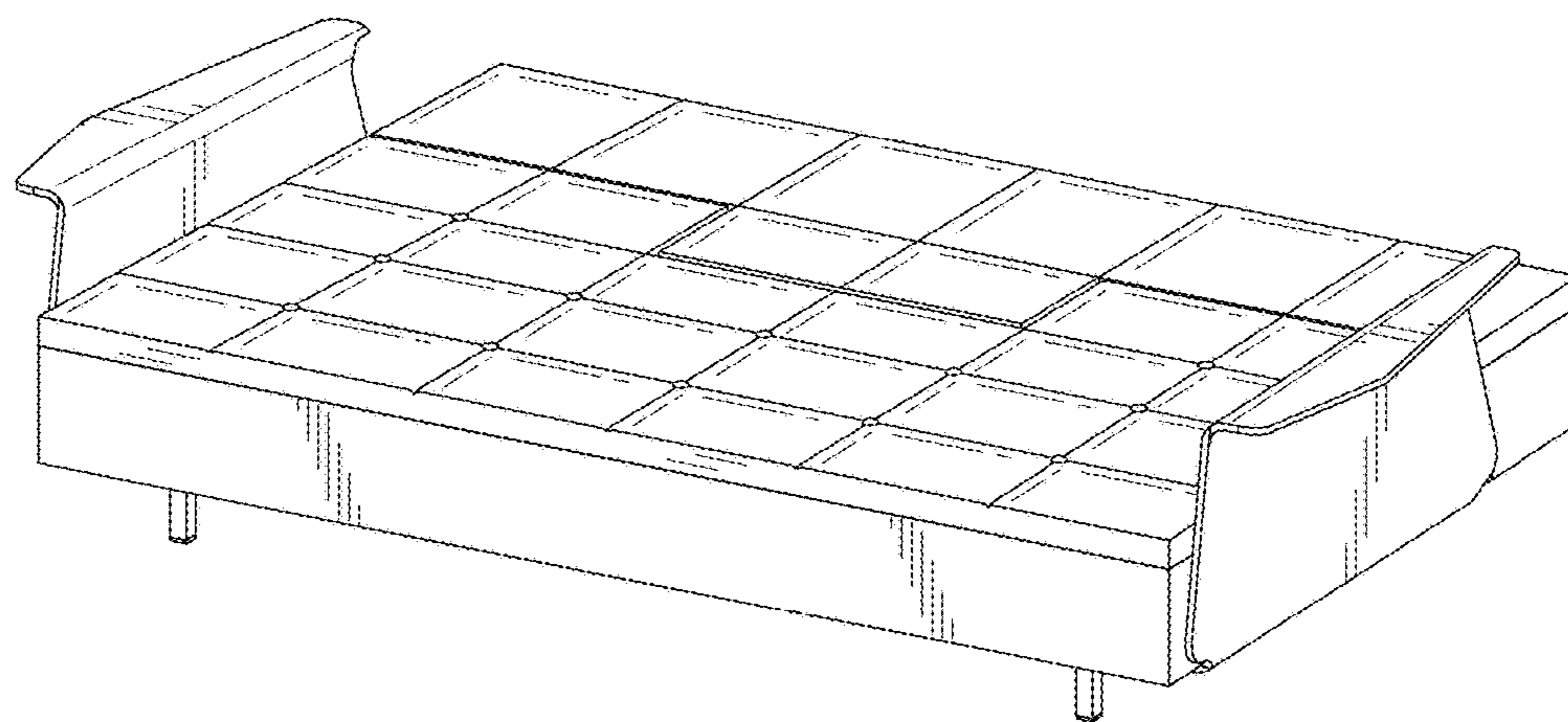


FIG. 30

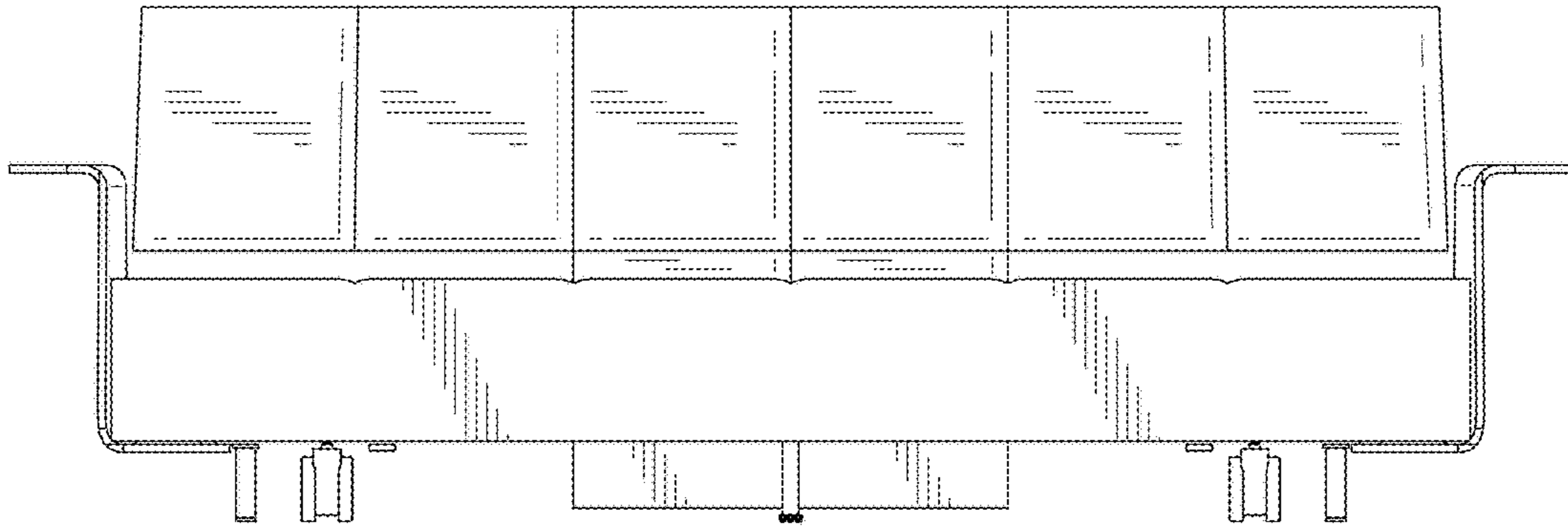


FIG. 31

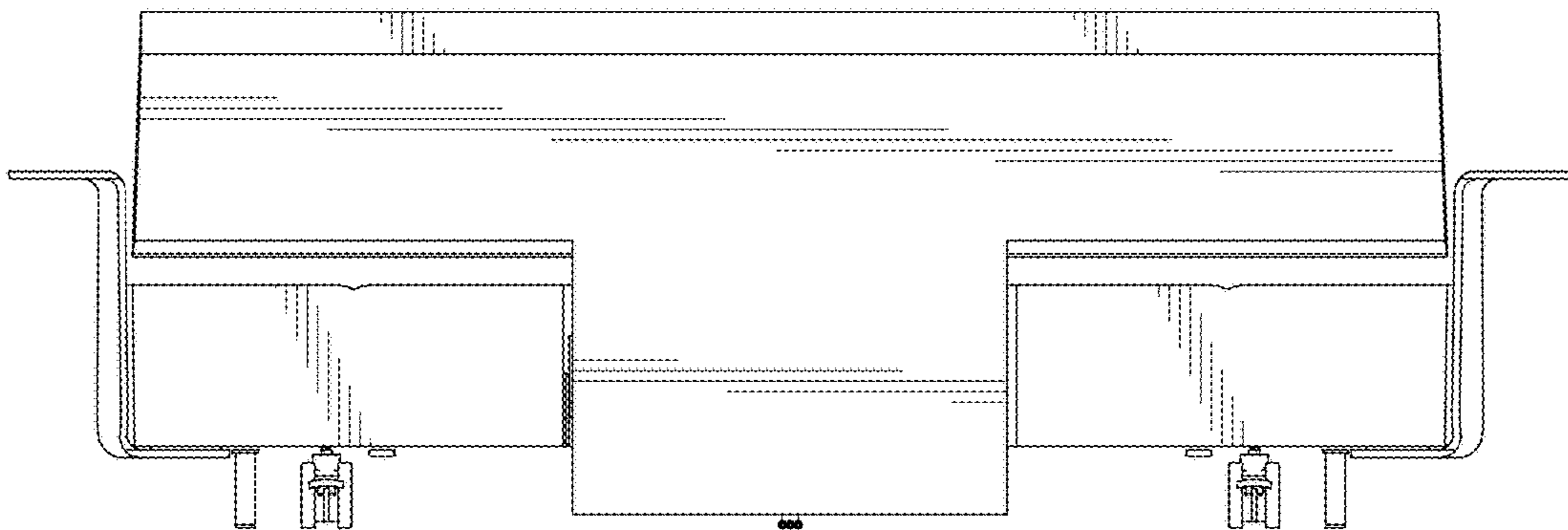


FIG. 32

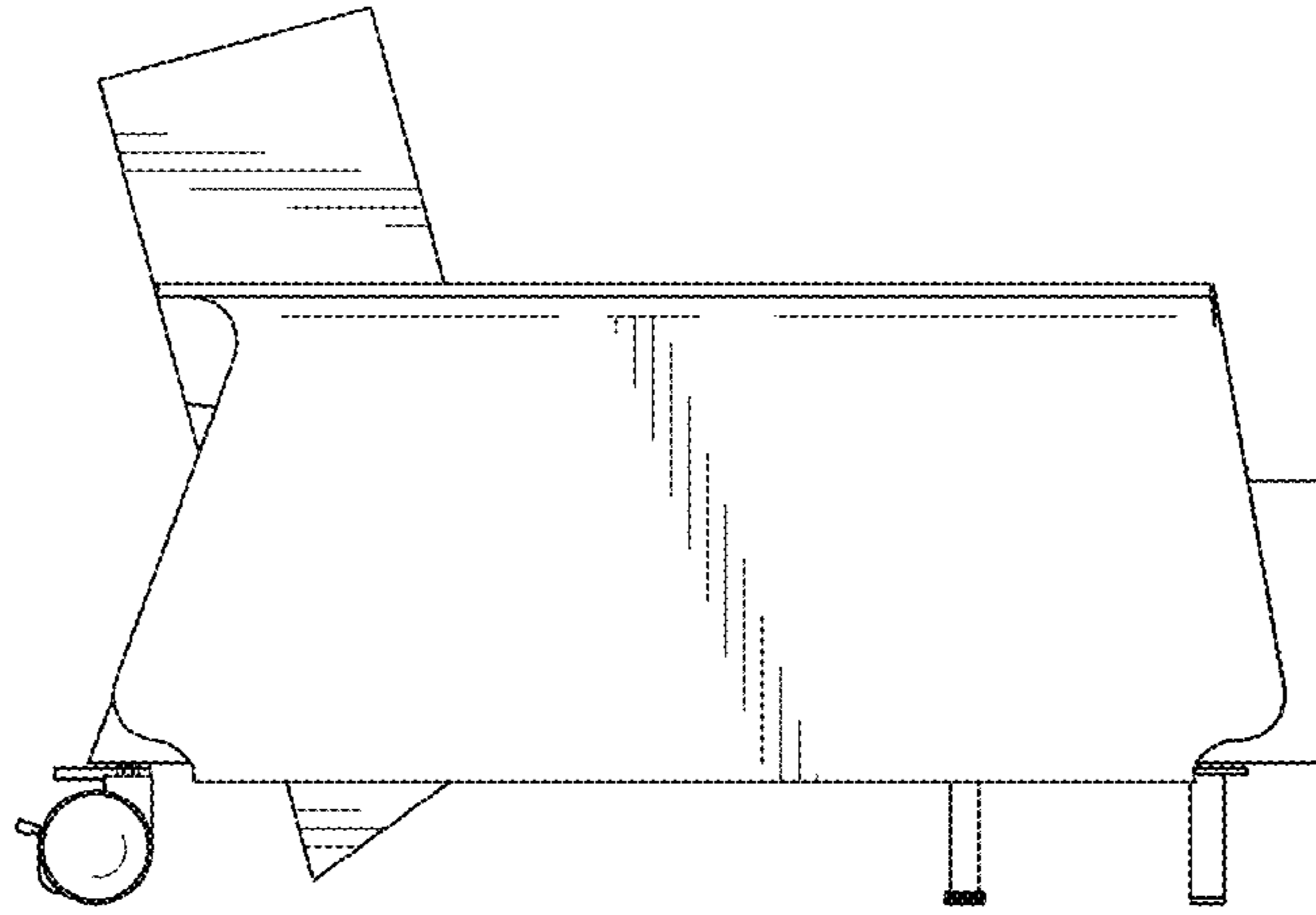


FIG. 33

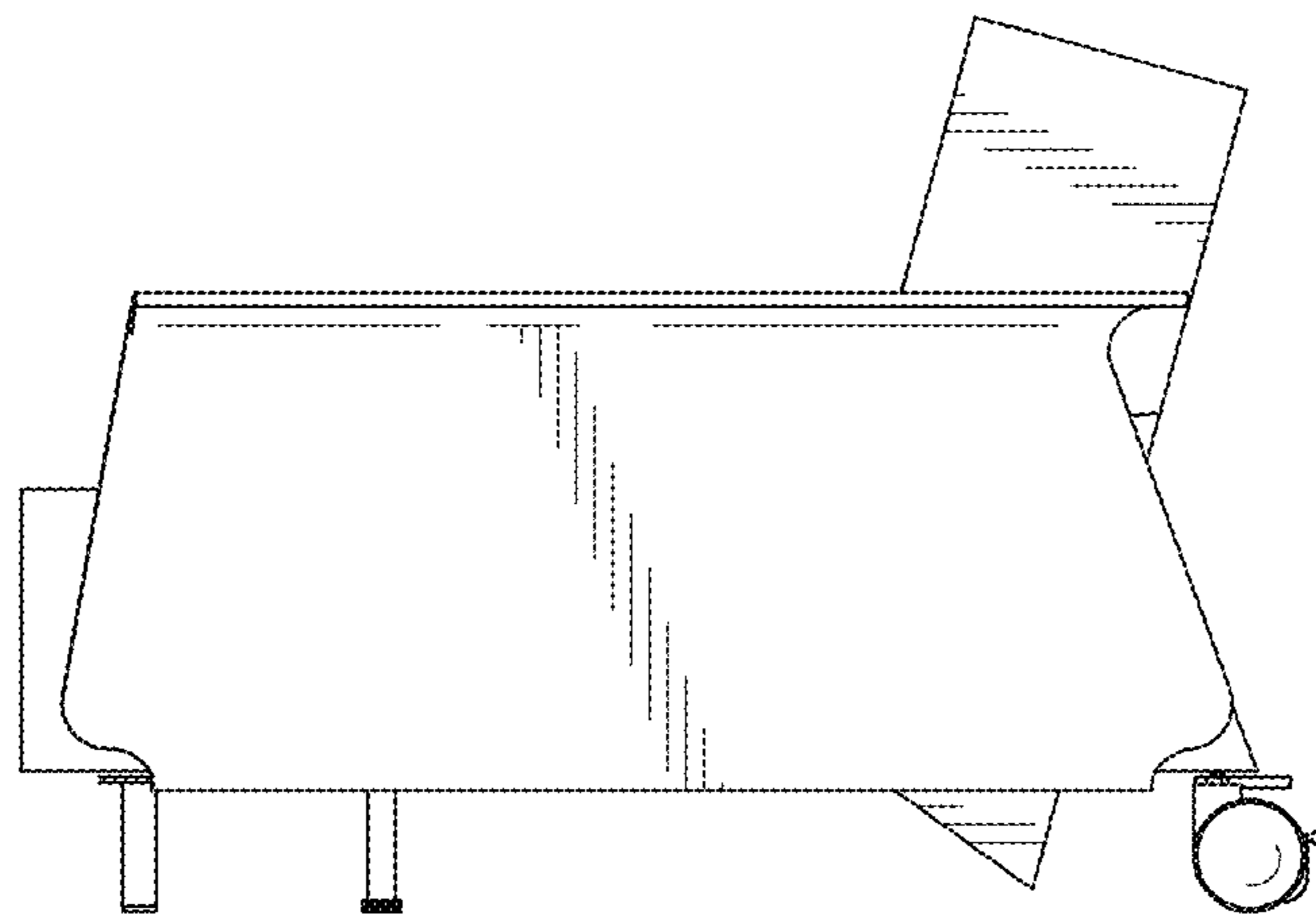


FIG. 34

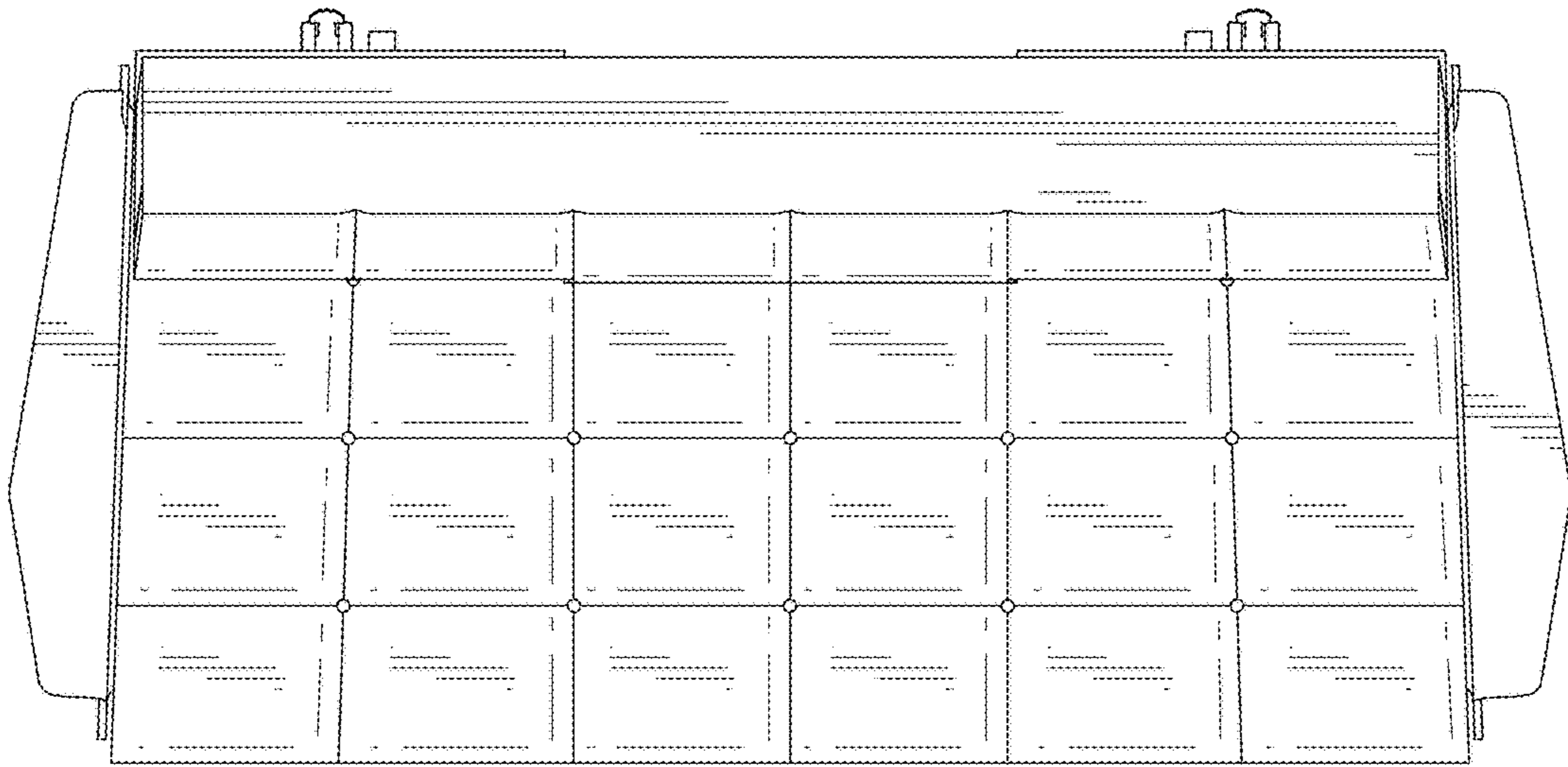


FIG. 35

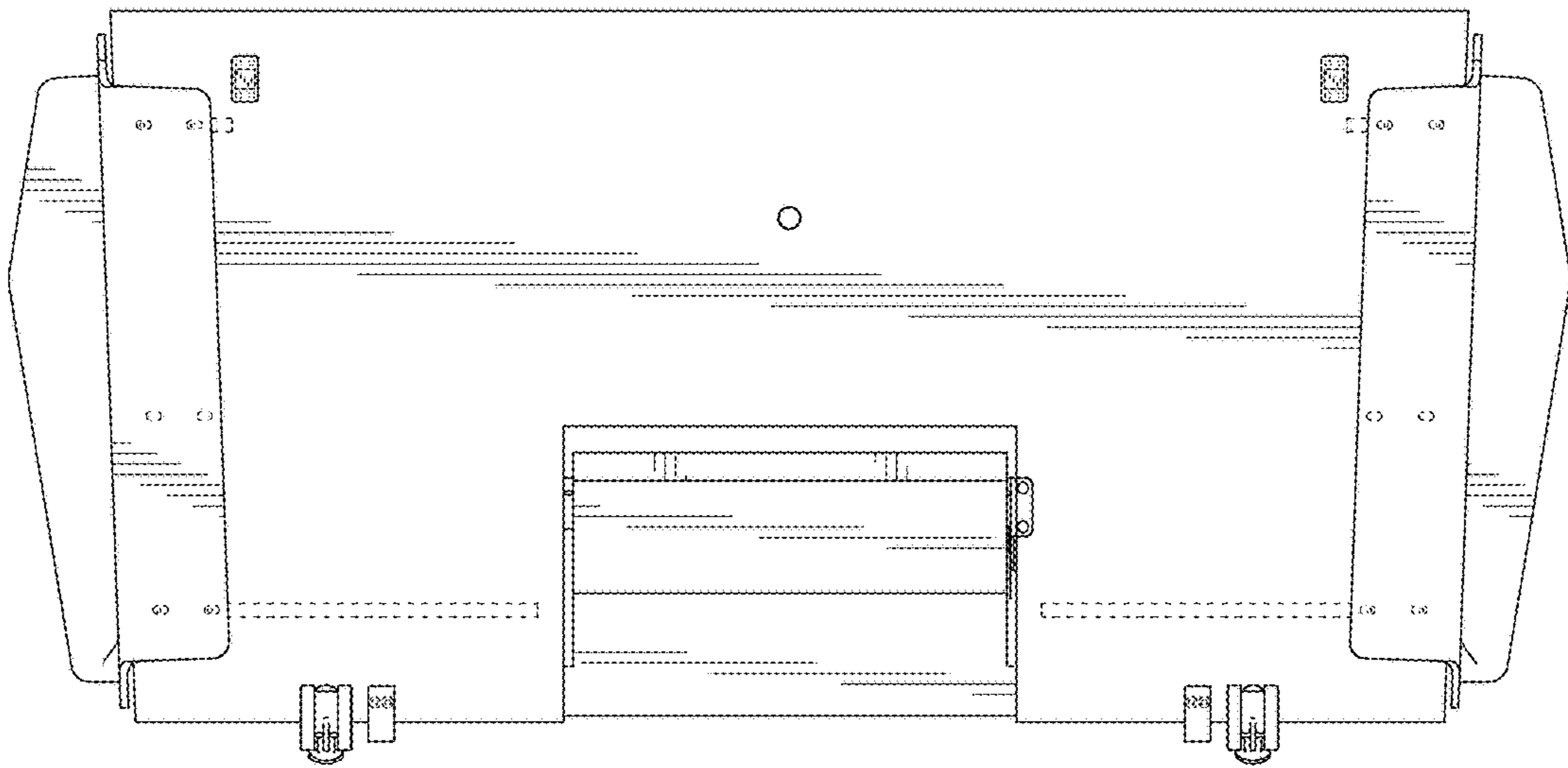


FIG. 36

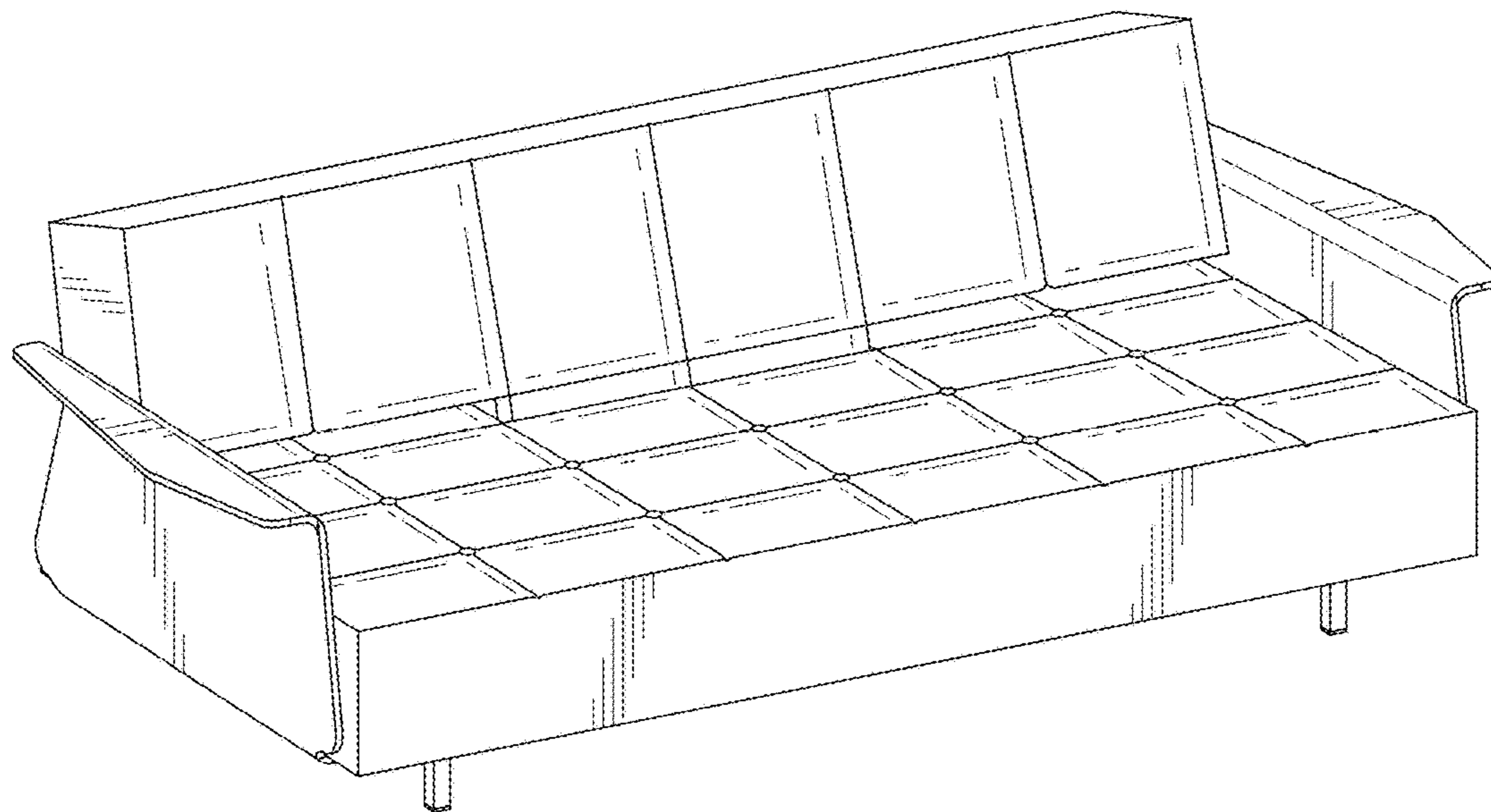


FIG. 37

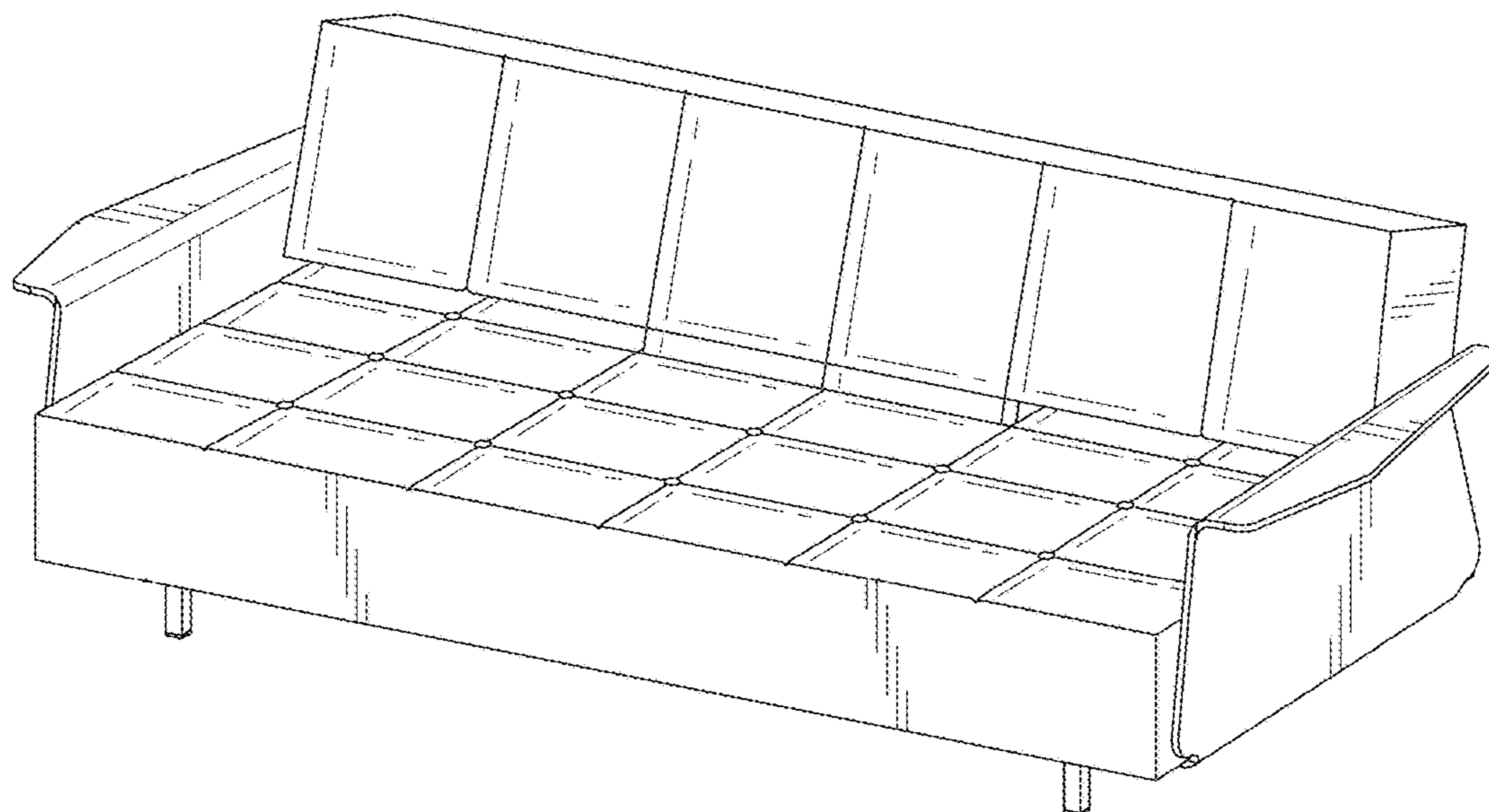


FIG. 38

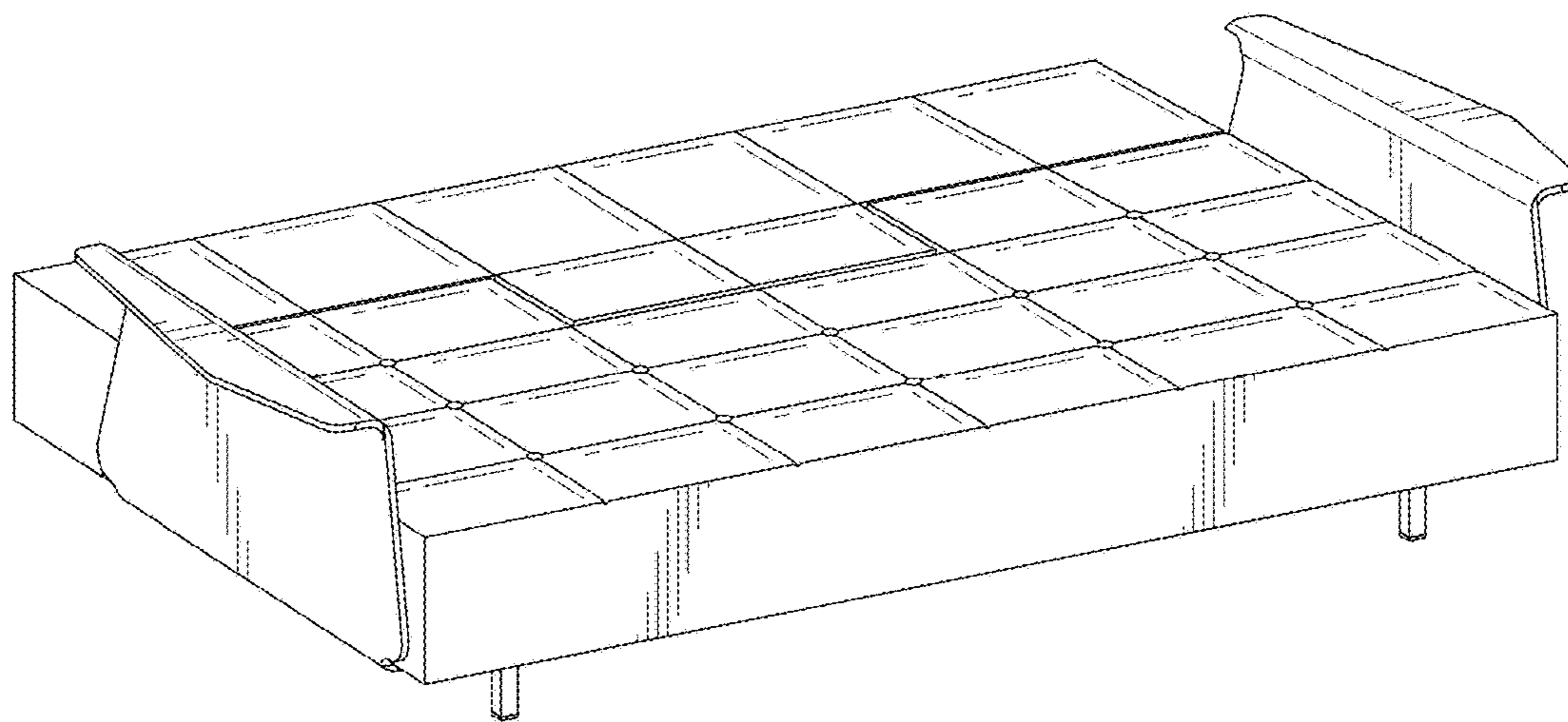


FIG. 39

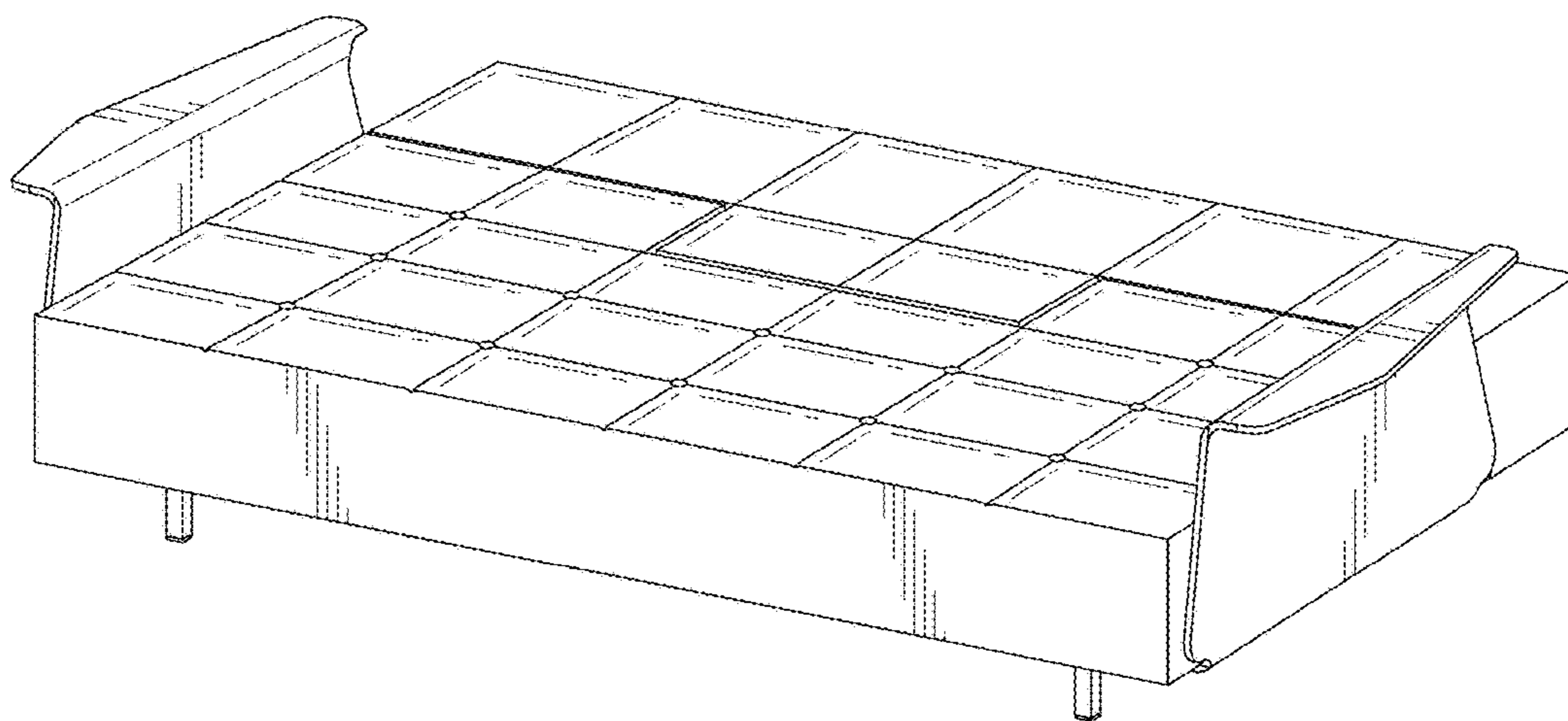


FIG. 40