



US00D821773S

(12) **United States Design Patent**  
**Hale**

(10) **Patent No.:** **US D821,773 S**  
(45) **Date of Patent:** **\*\* Jul. 3, 2018**

(54) **CHAIR**

(71) Applicant: **Williams-Sonoma, Inc.**, San Francisco, CA (US)

(72) Inventor: **Edward Hale**, Brooklyn, NY (US)

(73) Assignee: **Williams-Sonoma, Inc.**, San Francisco, CA (US)

(\*\*) Term: **15 Years**

(21) Appl. No.: **29/616,814**

(22) Filed: **Sep. 8, 2017**

(51) **LOC (11) Cl.** ..... **06-01**

(52) **U.S. Cl.**  
USPC ..... **D6/375; D6/374**

(58) **Field of Classification Search**  
USPC ..... D6/334-336, 371, 372, 373, 374, 375, D6/380, 716, 716.1, 716.2, 716.3, 716.4  
CPC .... A47C 3/04; A47C 3/12; A47C 4/02; A47C 4/028; A47C 4/03; A47C 5/06; A47C 5/12; A47C 7/021; A47C 7/18; A47C 7/24

See application file for complete search history.

(56) **References Cited**

**U.S. PATENT DOCUMENTS**

D173,389 S	*	11/1954	Sherman	.....	D6/375
D180,138 S	*	4/1957	Futorian	.....	D6/375
D191,704 S	*	11/1961	Stauffer	.....	D6/375
D587,911 S	*	3/2009	Pearson	.....	D6/334
D602,706 S	*	10/2009	Cramer	.....	D6/334
D736,008 S	*	8/2015	Bosman	.....	D6/375
D759,393 S	*	6/2016	Hayon	.....	D6/334
D811,757 S	*	3/2018	Moscheri	.....	D6/374
D815,452 S	*	4/2018	Hannoosh	.....	D6/380

\* cited by examiner

*Primary Examiner* — Mimosa De

(74) *Attorney, Agent, or Firm* — Cook Alex Ltd.; R. Blake Johnston

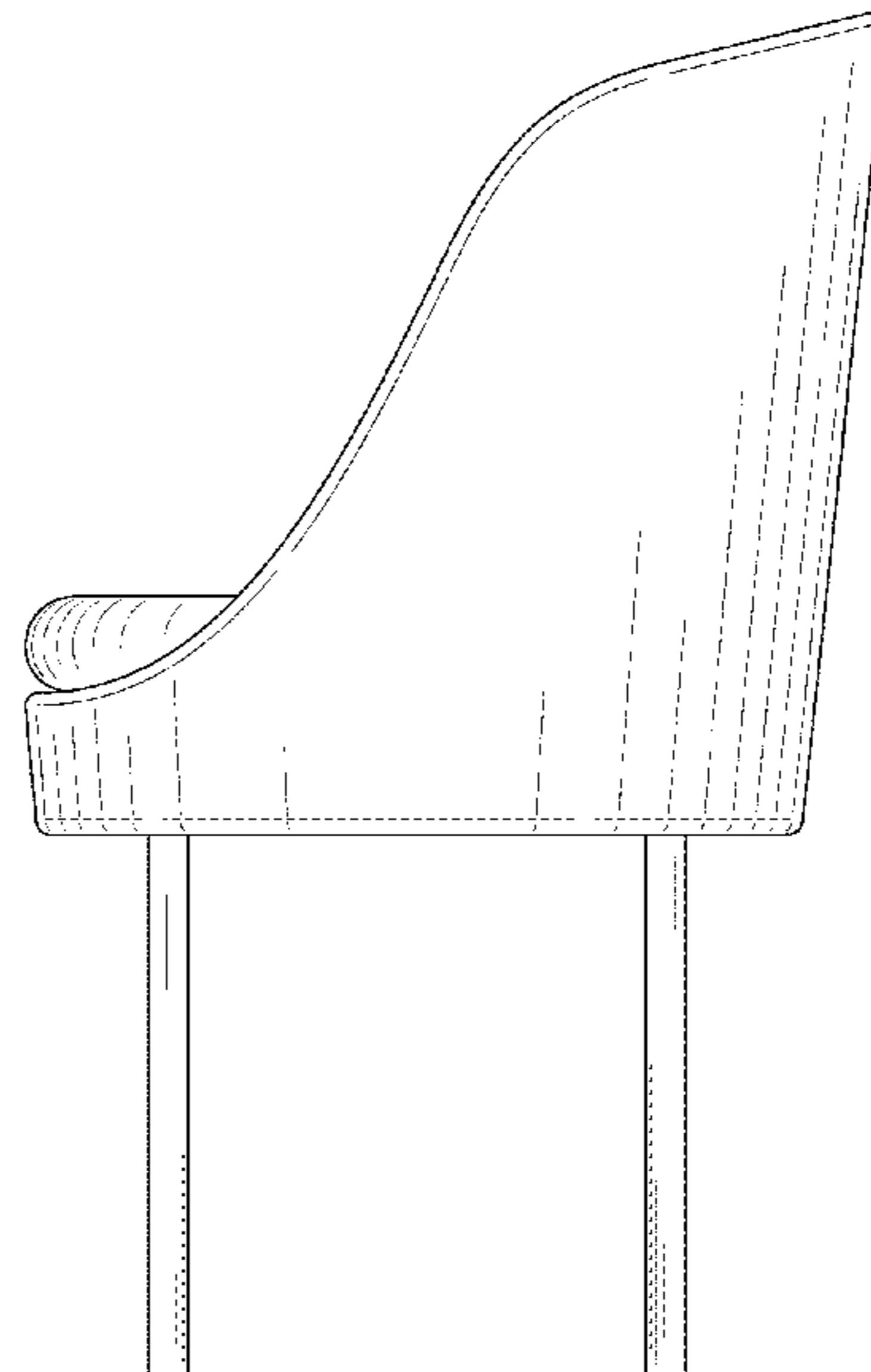
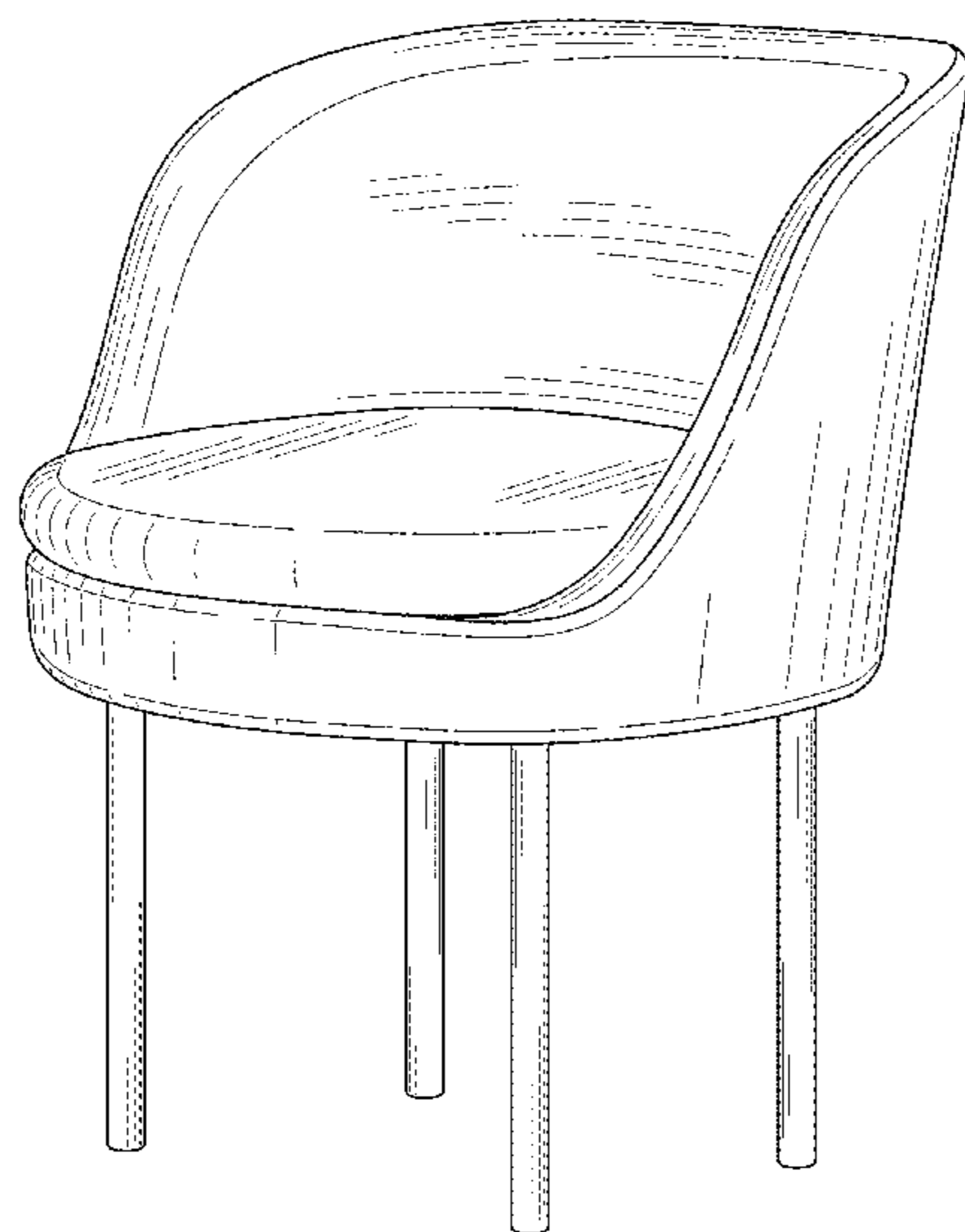
(57) **CLAIM**

The ornamental design for a chair, as shown and described.

**DESCRIPTION**

FIG. 1 is a perspective view of a first embodiment of the chair;  
 FIG. 2 is a front elevational view of the first embodiment of the chair;  
 FIG. 3 is a rear elevational view of the first embodiment of the chair;  
 FIG. 4 is a left side elevational view of the first embodiment of the chair;  
 FIG. 5 is a right side elevational view of the first embodiment of the chair;  
 FIG. 6 is a top plan view of the first embodiment of the chair;  
 FIG. 7 is a bottom plan view of the first embodiment of the chair;  
 FIG. 8 is a perspective view of a second embodiment of the chair;  
 FIG. 9 is a front elevational view of the second embodiment of the chair;  
 FIG. 10 is a rear elevational view of the second embodiment of the chair;  
 FIG. 11 is a left side elevational view of the second embodiment of the chair;  
 FIG. 12 is a right side elevational view of the second embodiment of the chair;  
 FIG. 13 is a top plan view of the second embodiment of the chair; and,  
 FIG. 14 is a bottom plan view of the second embodiment of the chair.

**1 Claim, 12 Drawing Sheets**



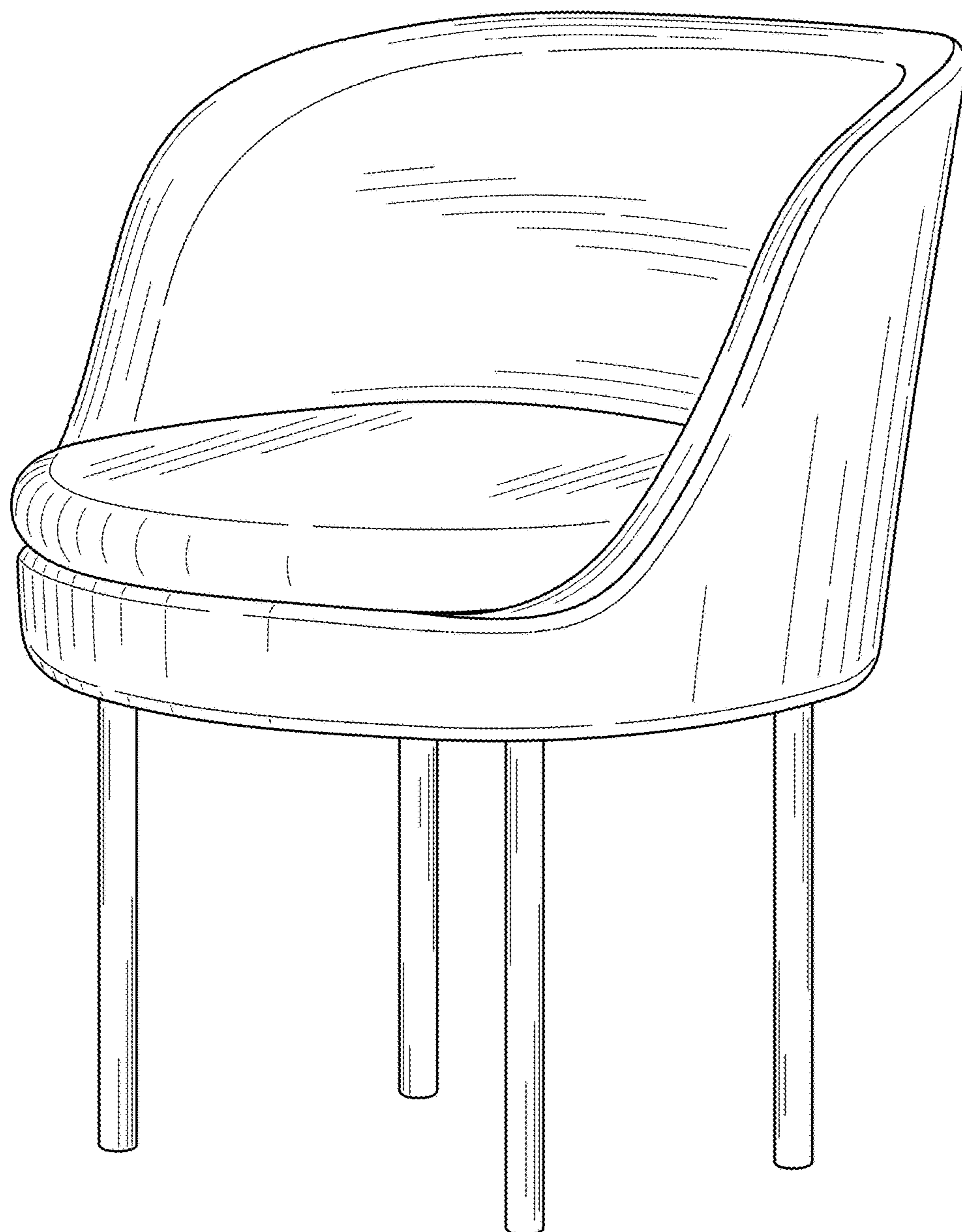


FIG. 1

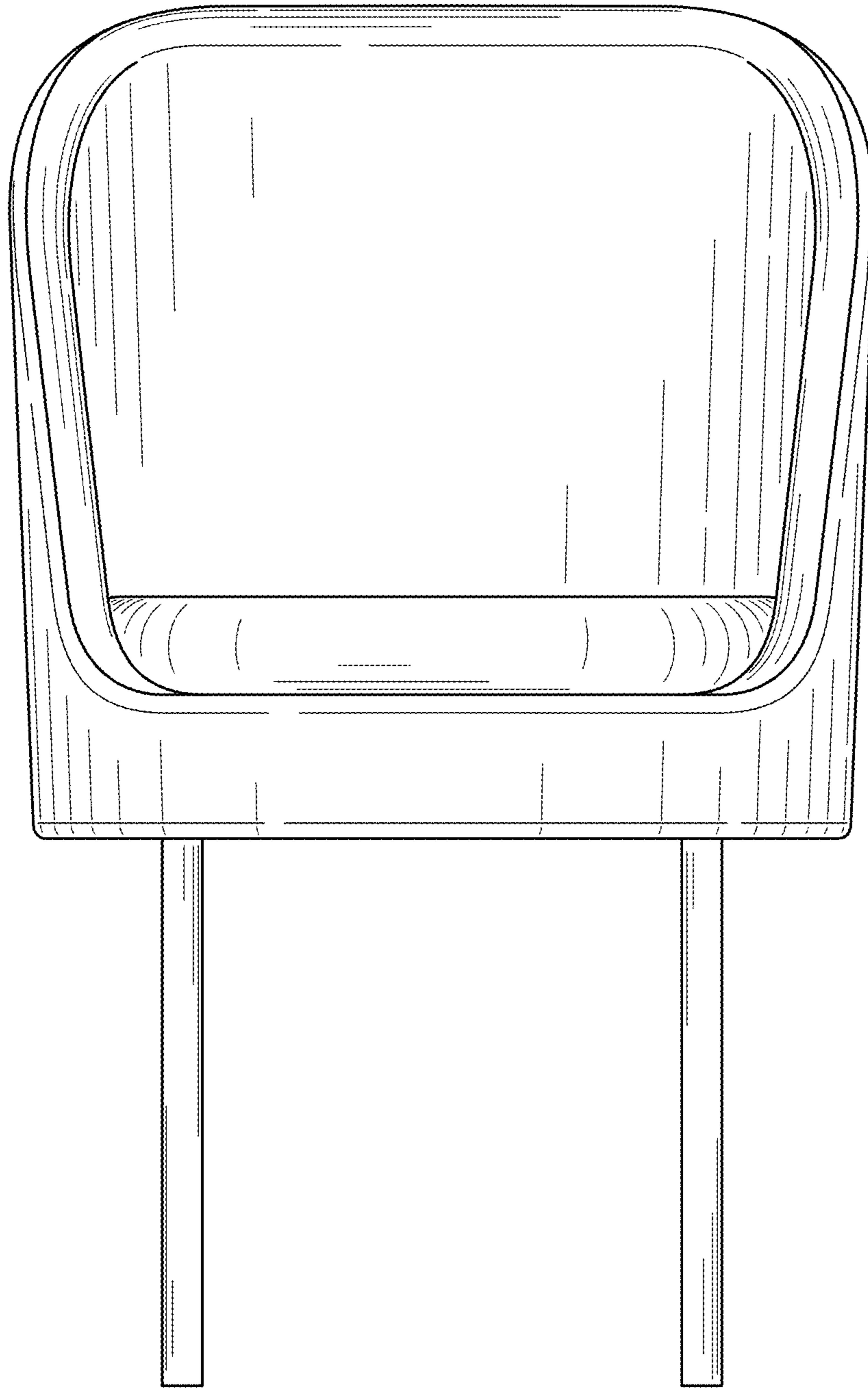


FIG. 2

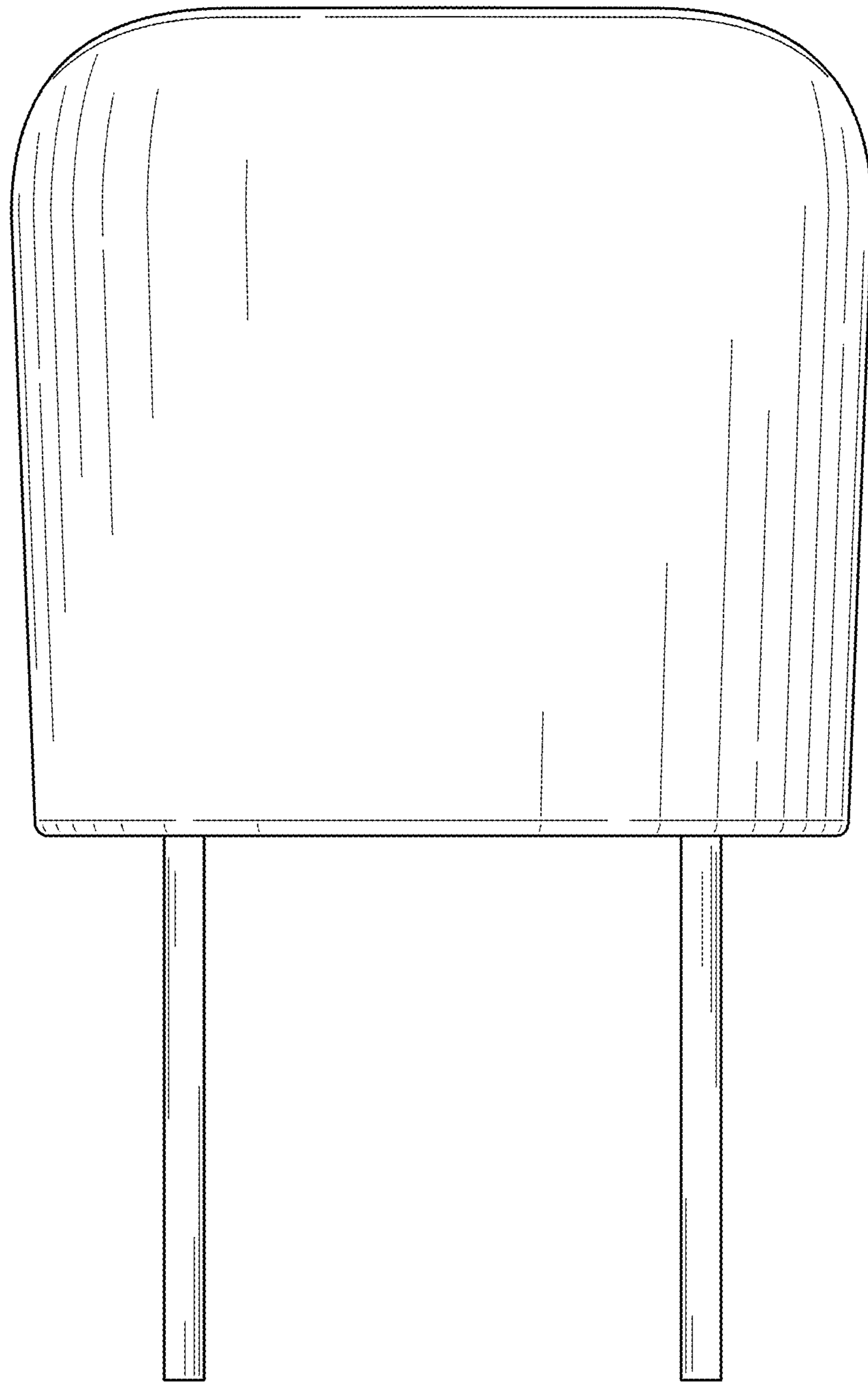


FIG. 3

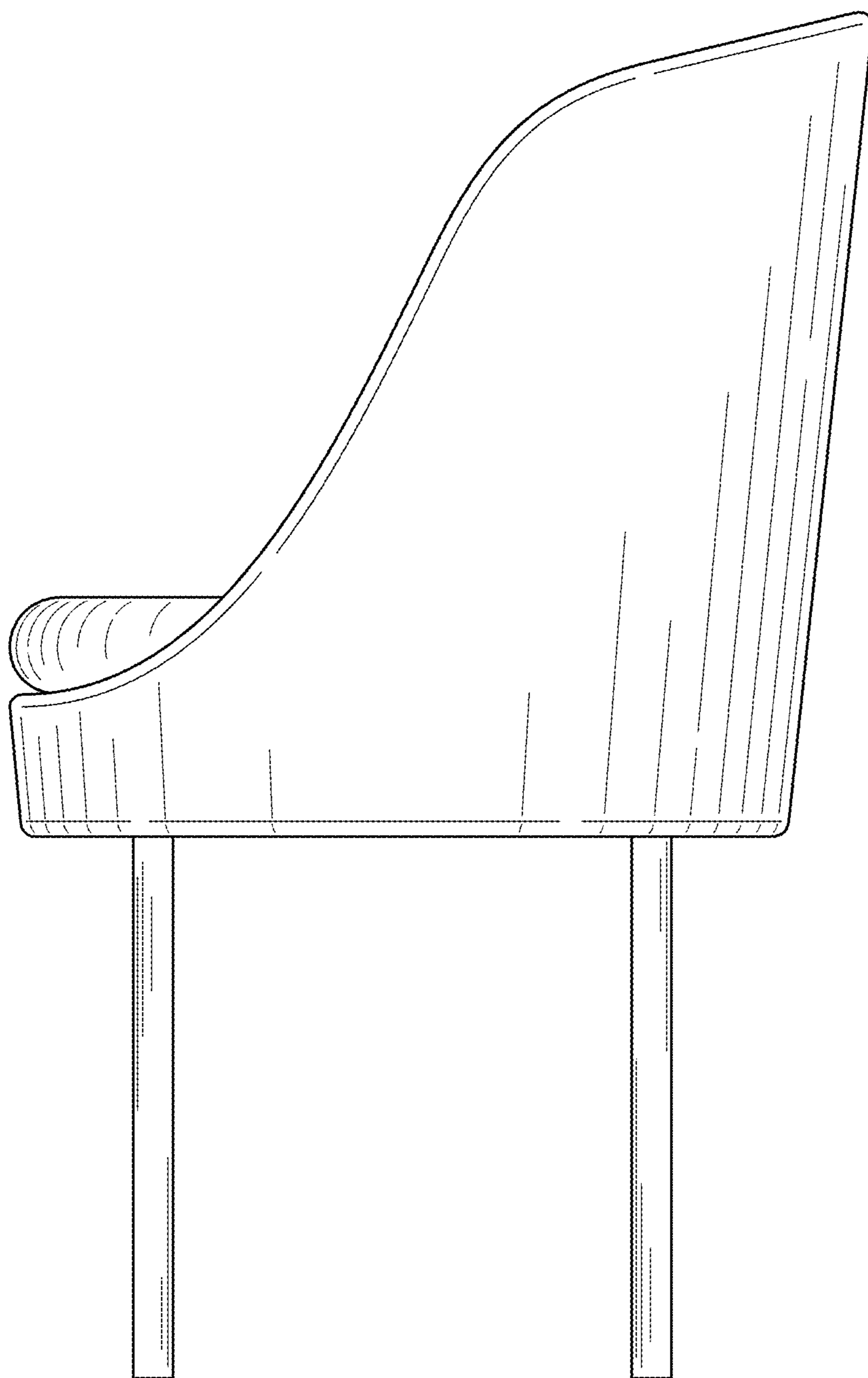


FIG. 4

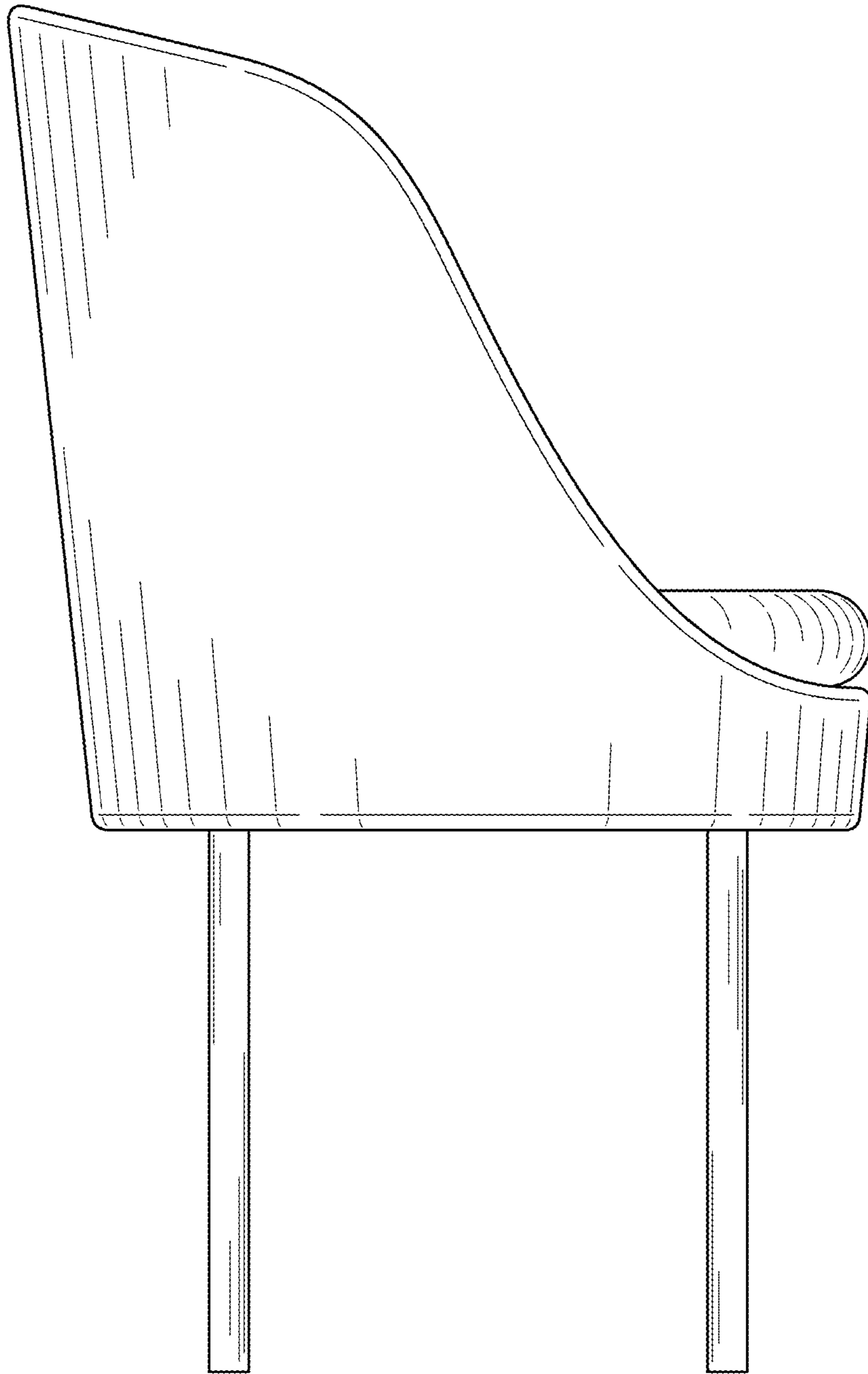


FIG. 5

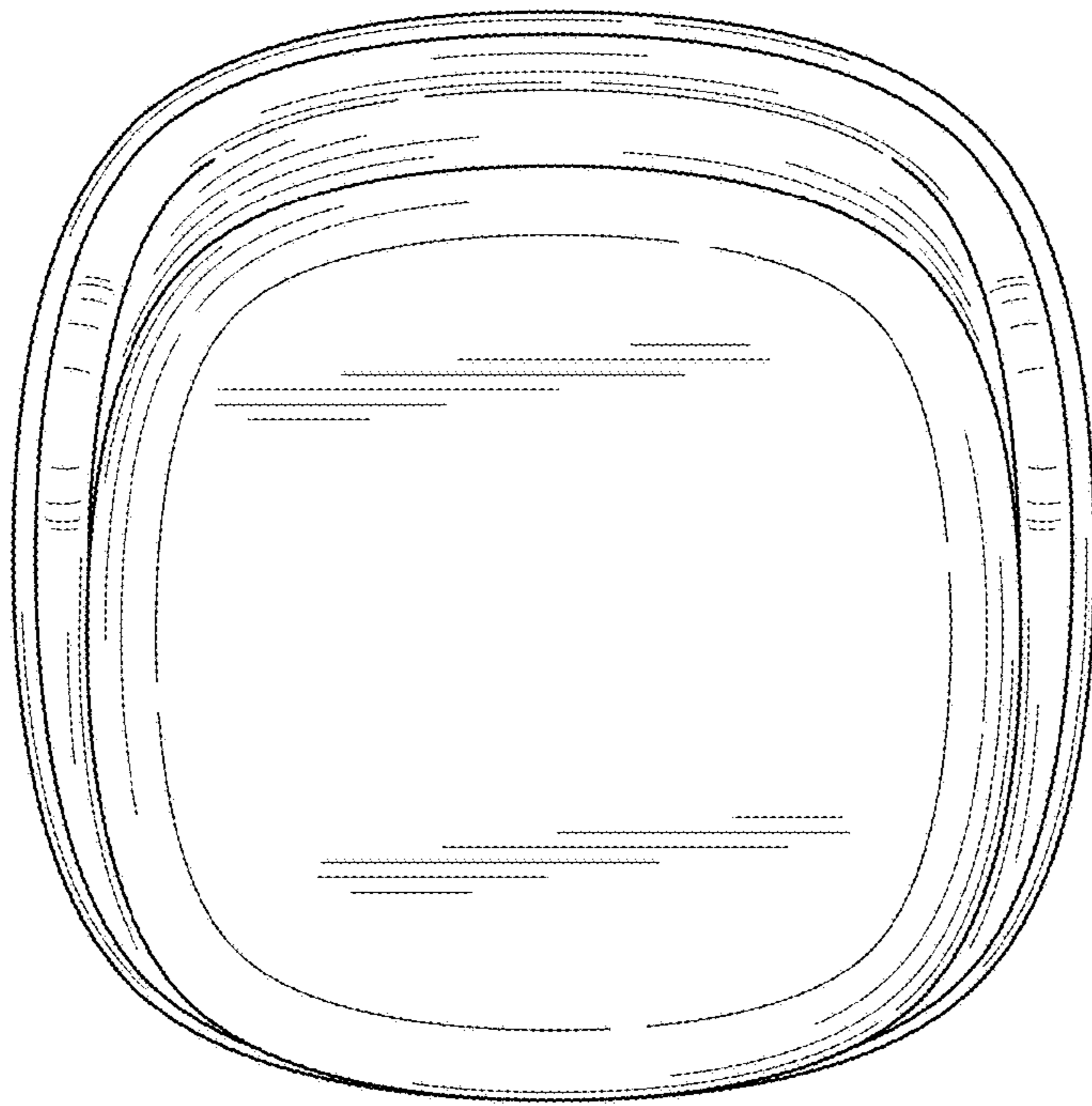


FIG. 6

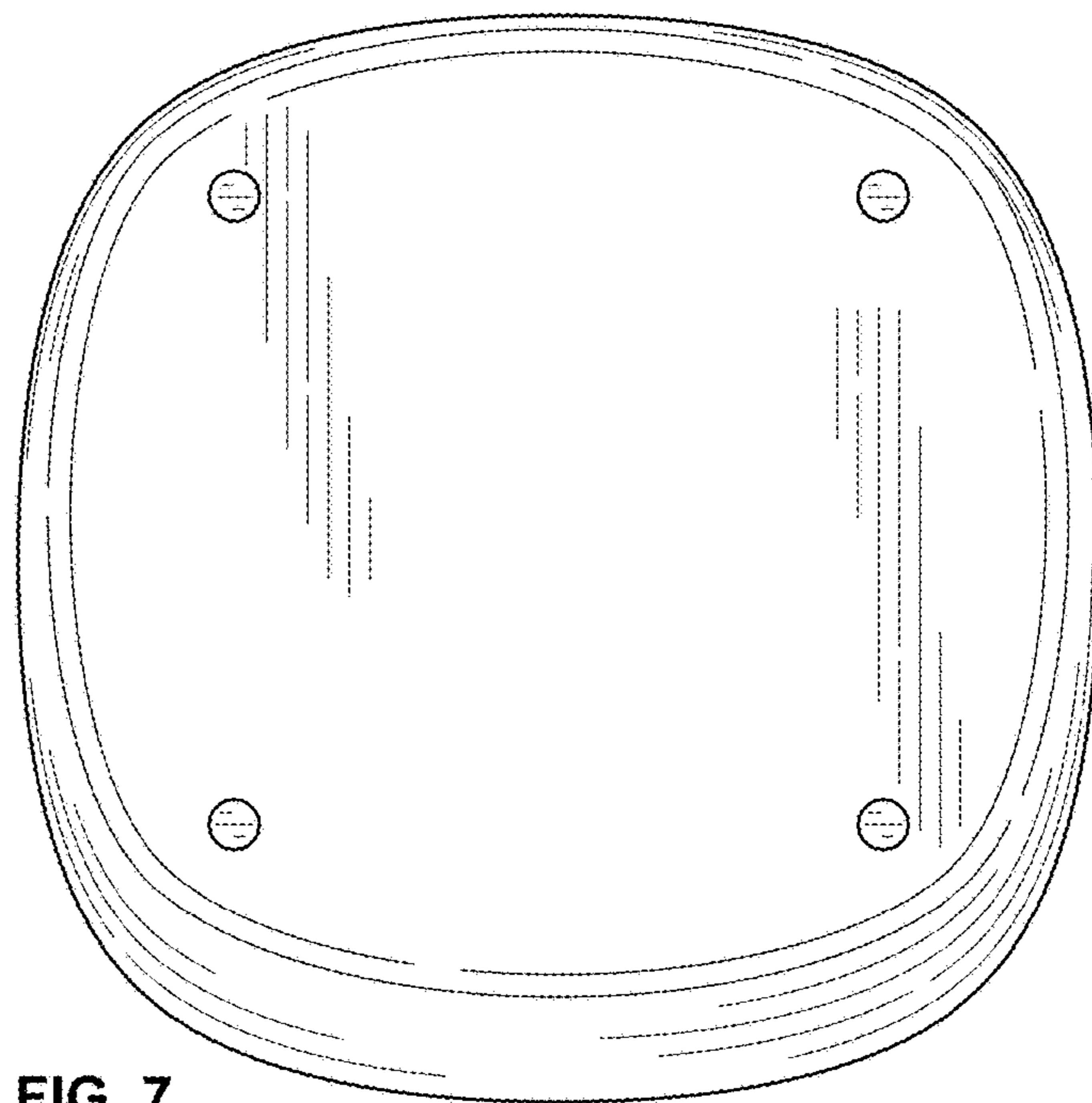


FIG. 7

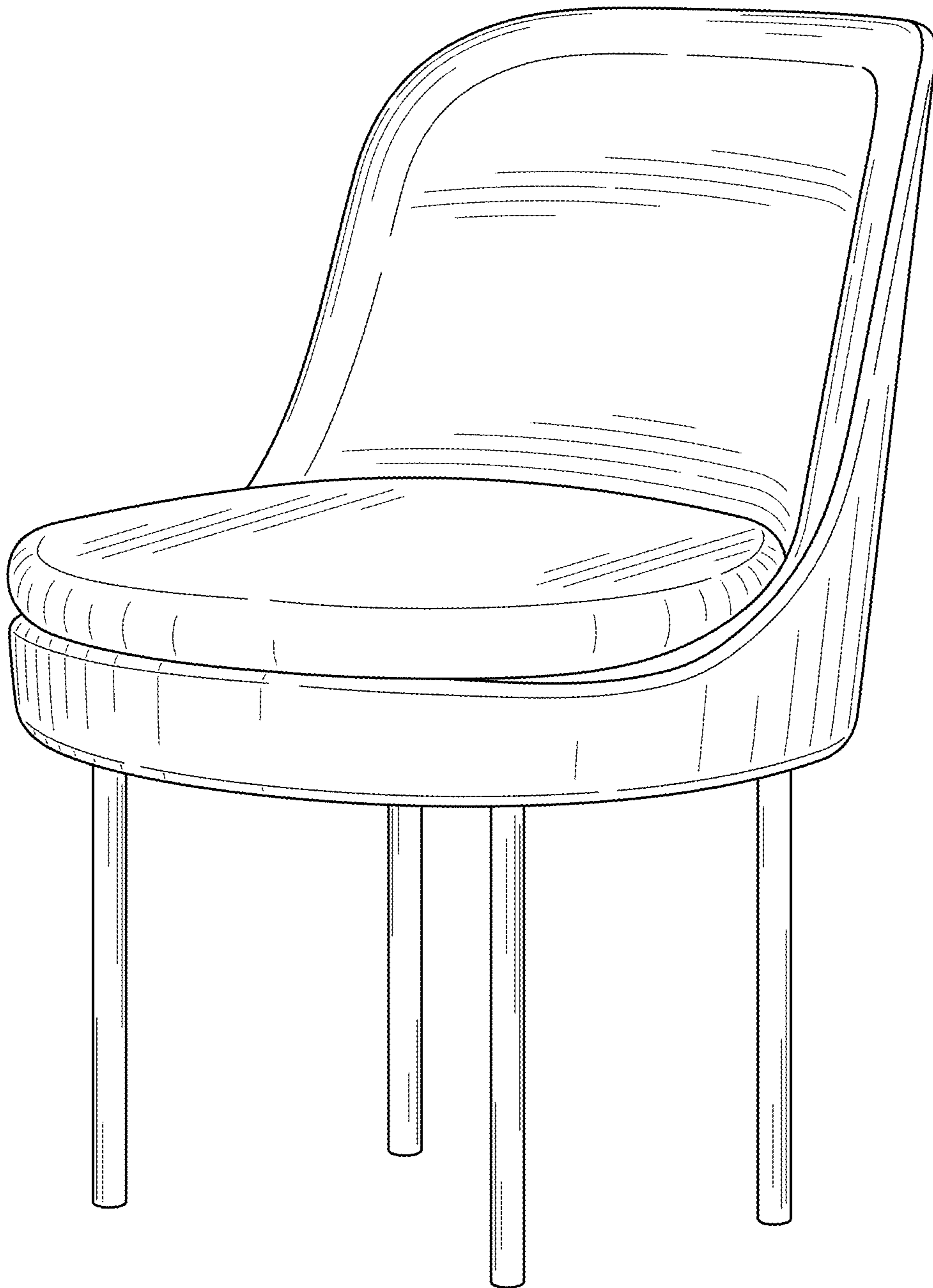


FIG. 8



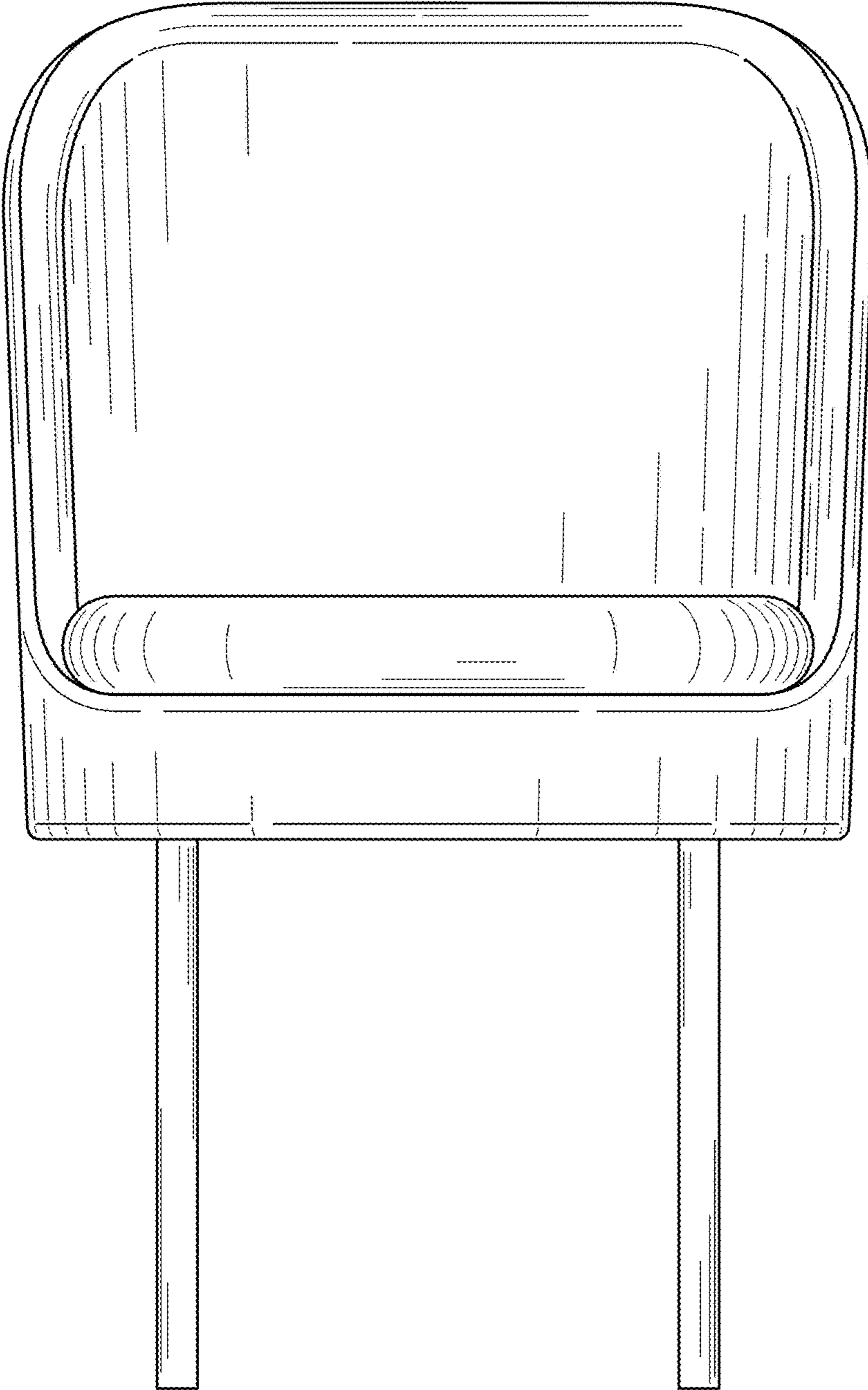


FIG. 9

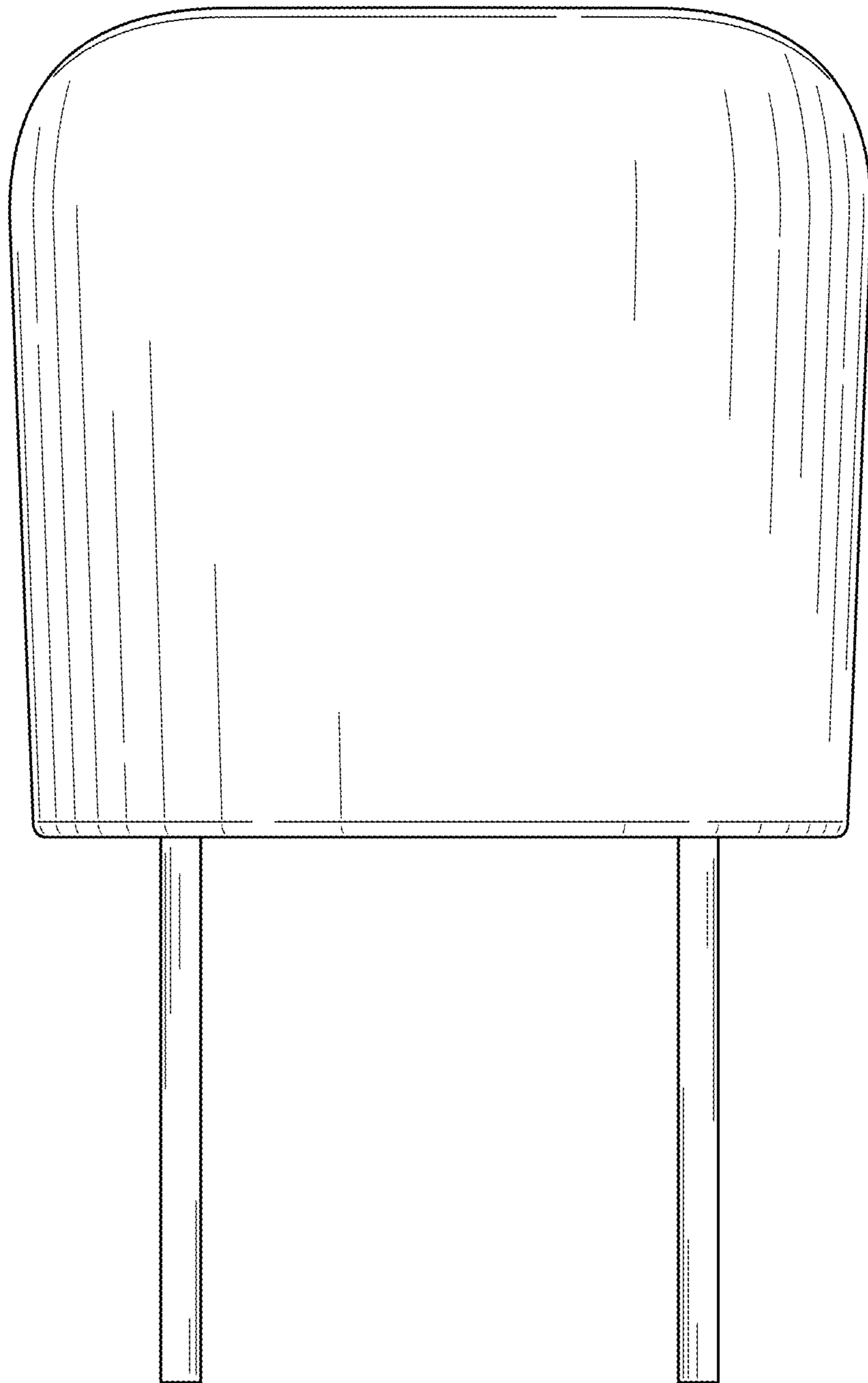


FIG. 10

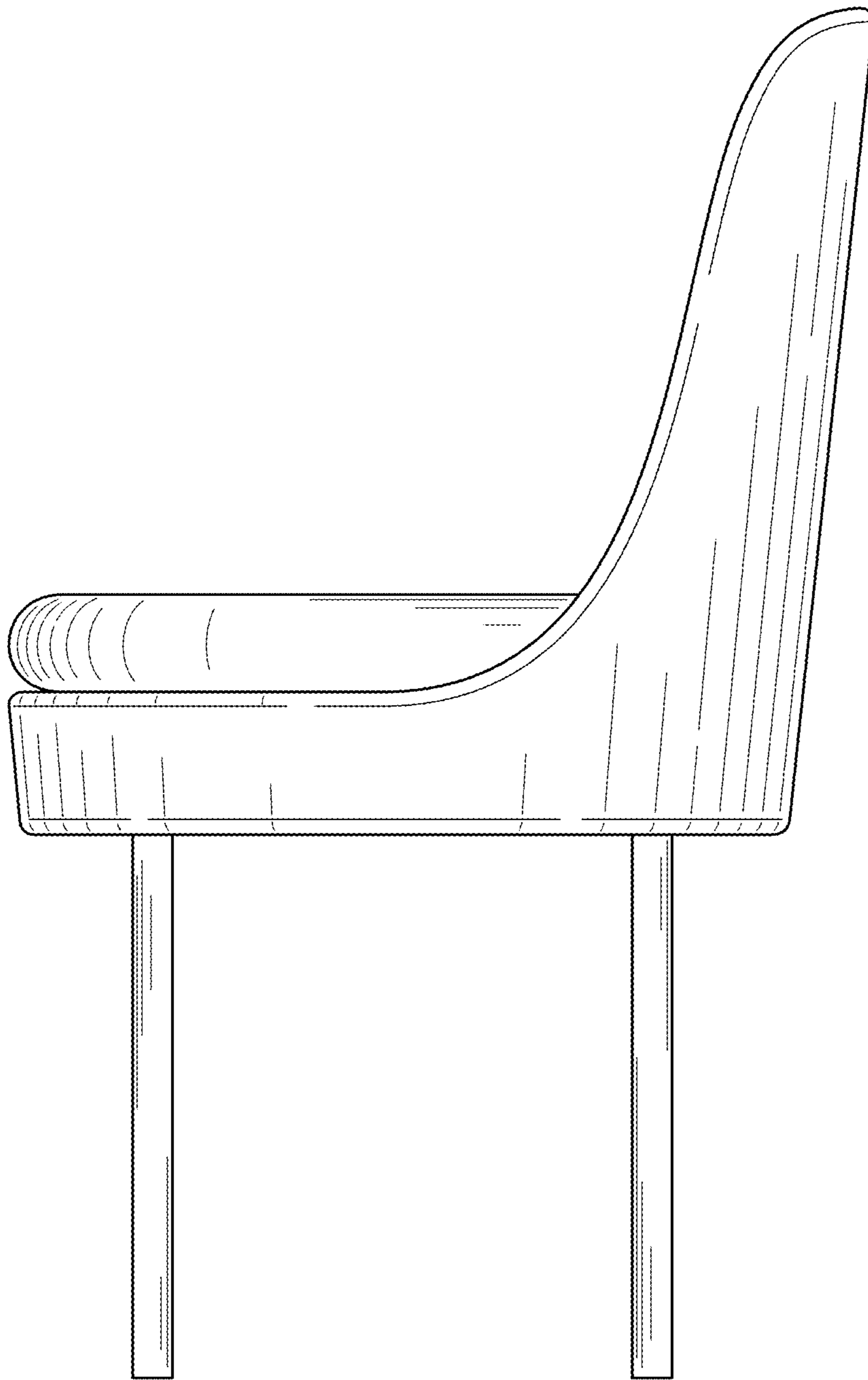


FIG. 11

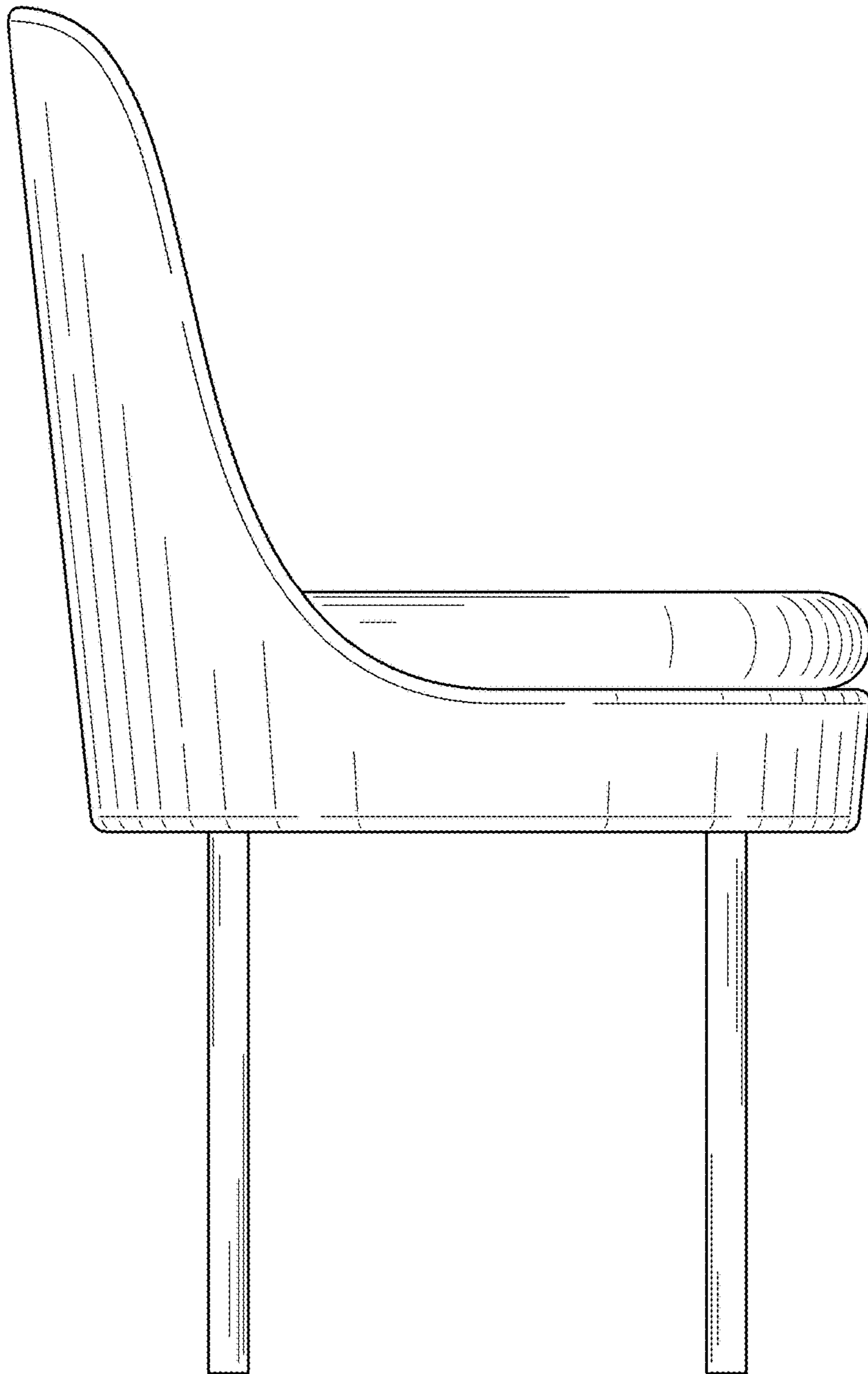


FIG. 12

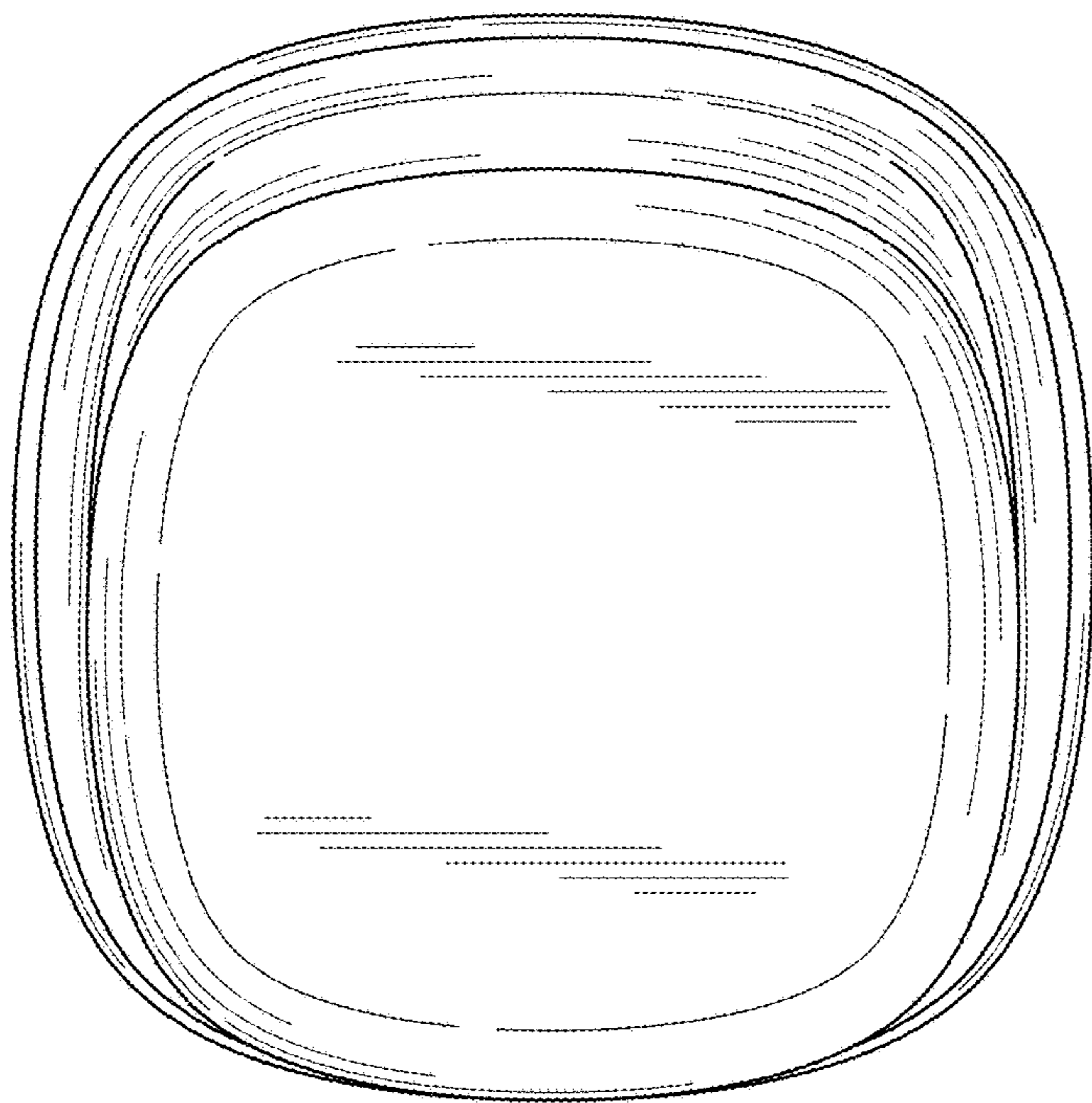


FIG. 13

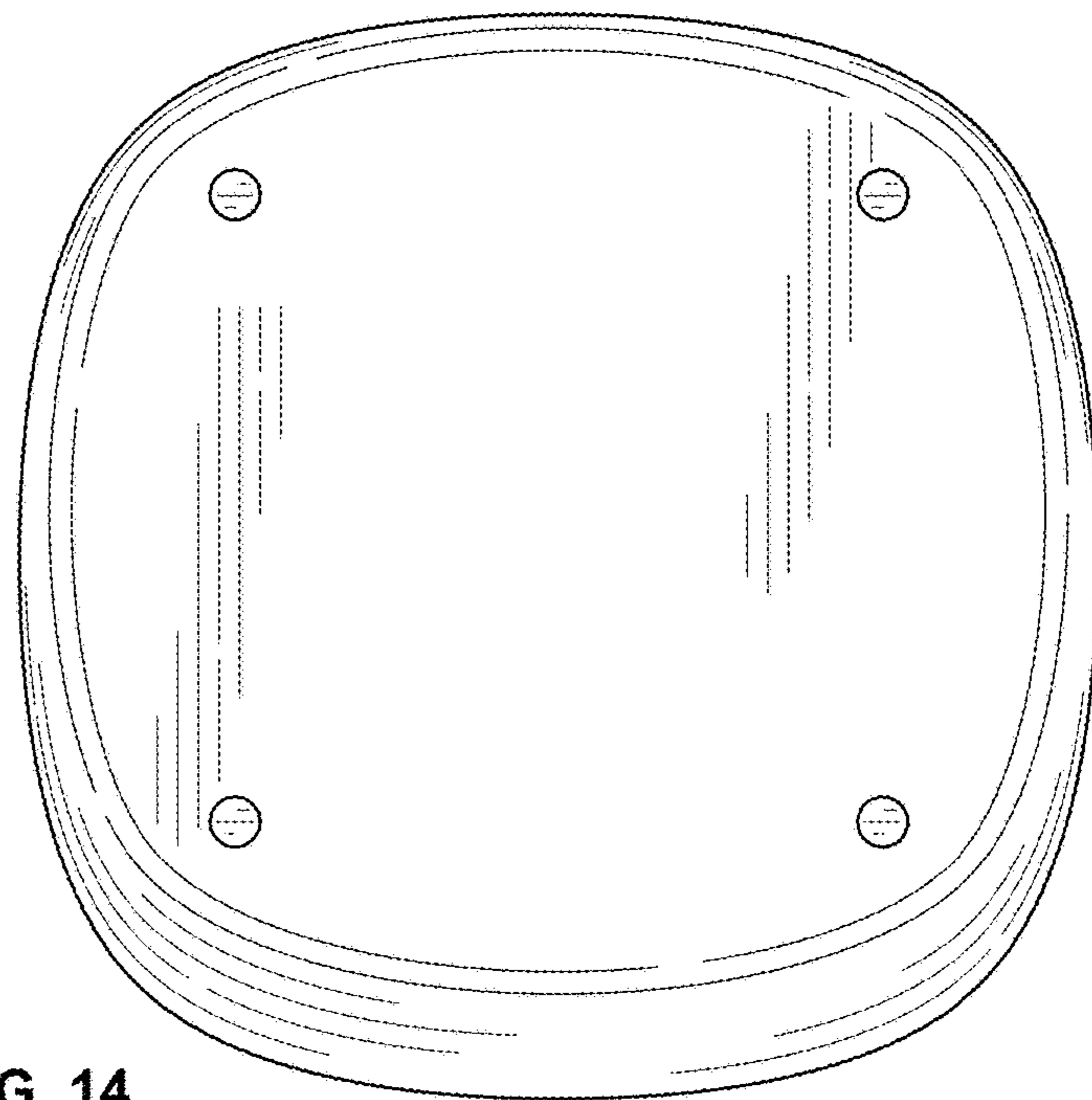


FIG. 14