



US00D821772S

(12) **United States Design Patent**
Tao

(10) **Patent No.:** **US D821,772 S**
(45) **Date of Patent:** **** Jul. 3, 2018**

(54) **CHAIR**

(71) Applicant: **Almi International Plastic Industries, S.A.**, Hollywood, FL (US)

(72) Inventor: **Andrew Tao**, Zhejiang (CN)

(73) Assignee: **Almi International Plastic Industries S.A.**, Hollywood, FL (US)

(**) Term: **15 Years**

(21) Appl. No.: **29/615,416**

(22) Filed: **Aug. 29, 2017**

(51) **LOC (11) Cl.** **06-01**

(52) **U.S. Cl.**
USPC **D6/375**

(58) **Field of Classification Search**
USPC D6/334-336, 371, 372, 373, 374, 375,
D6/376, 379, 380, 716, 716.1, 716.4
CPC A47C 3/04; A47C 4/02; A47C 4/03; A47C
5/12; A47C 7/16
See application file for complete search history.

(56) **References Cited**

U.S. PATENT DOCUMENTS

D390,026 S * 2/1998 Biecher D6/374
D426,972 S * 6/2000 Bellini D6/334

D465,100 S * 11/2002 Savini D6/375
D492,131 S * 6/2004 Starck D6/375
D593,763 S * 6/2009 Barbieri D6/375
D600,934 S * 9/2009 Woolley D6/375
D689,296 S * 9/2013 Starck D6/375
D693,589 S * 11/2013 Irvine D6/379
D694,543 S * 12/2013 Chipman D6/375
D762,999 S * 8/2016 Huang D6/375
D792,718 S * 7/2017 Grabowski D6/375

* cited by examiner

Primary Examiner — Mimosa De

(74) *Attorney, Agent, or Firm* — Howard Natter; Natter & Natter

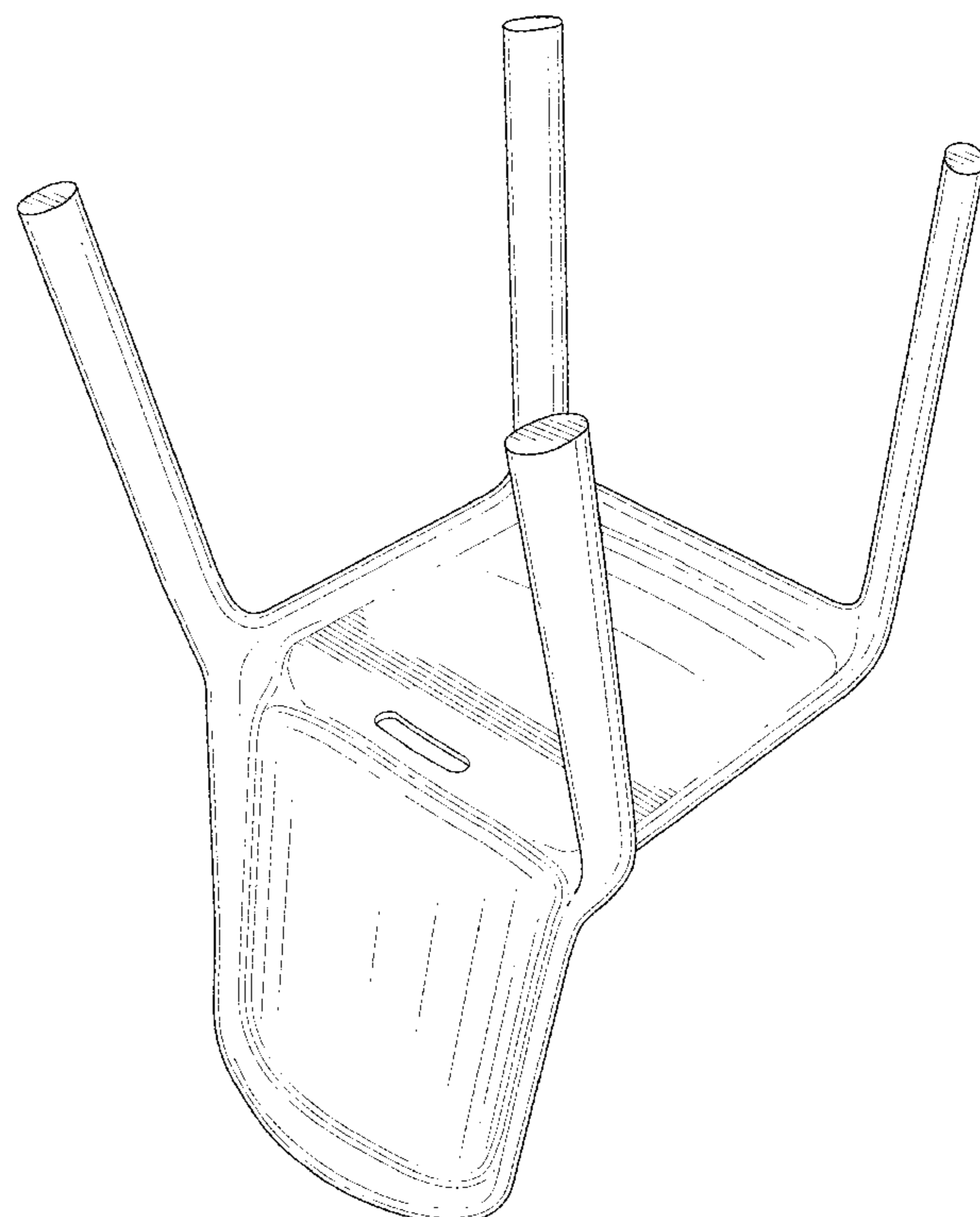
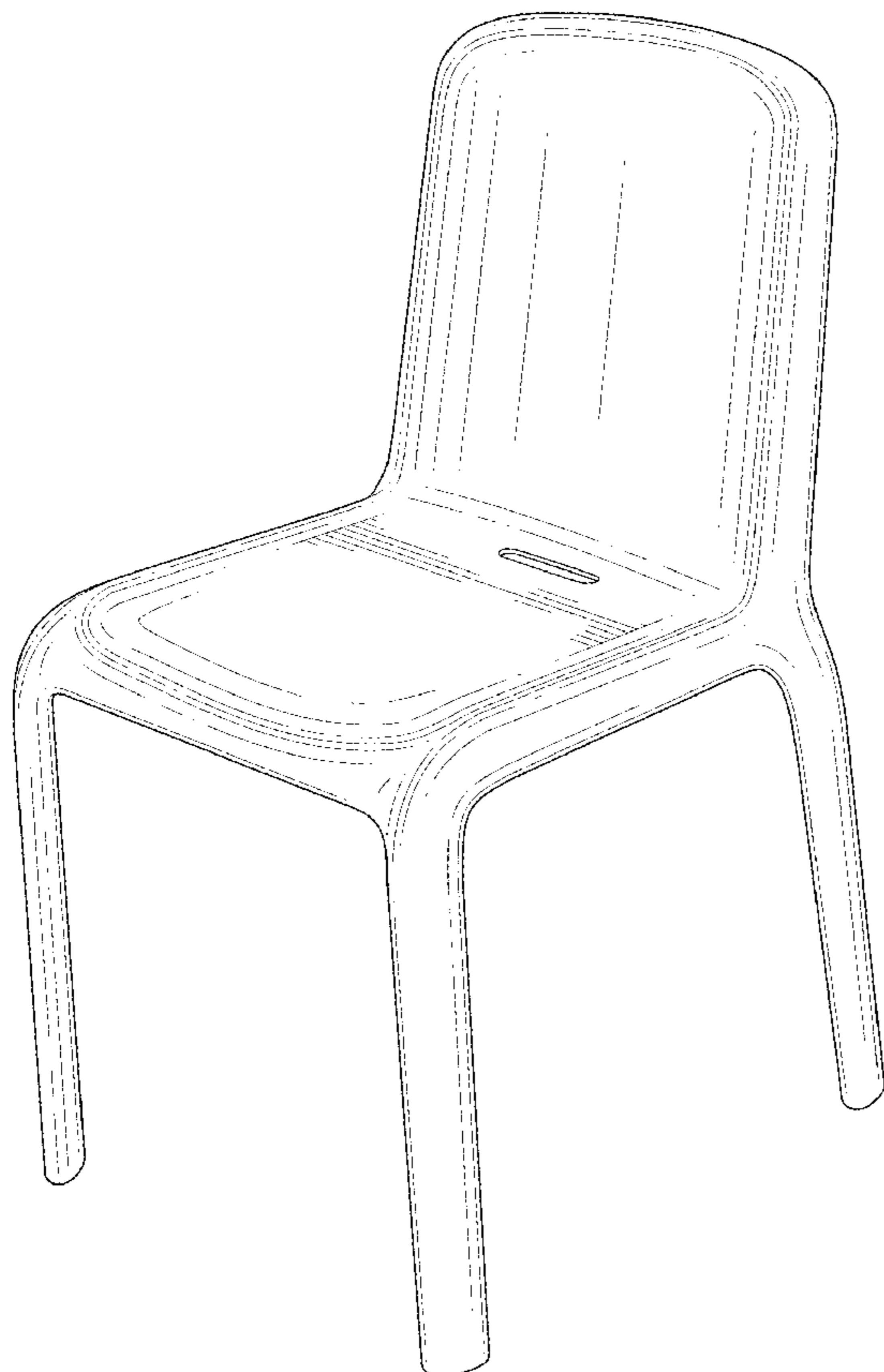
(57) **CLAIM**

The ornamental design for a chair, as shown and described.

DESCRIPTION

FIG. 1 is a top front right side perspective view of a chair showing my new design;
FIG. 2 is a bottom perspective view thereof;
FIG. 3 is a front elevational view thereof;
FIG. 4 is a rear elevational view thereof;
FIG. 5 is a right side elevational view thereof; the left side elevational view being a mirror image thereof;
FIG. 6 is a top plan view thereof; and,
FIG. 7 is a bottom plan view thereof.
A characteristic feature of the design is the slotted opening.

1 Claim, 7 Drawing Sheets



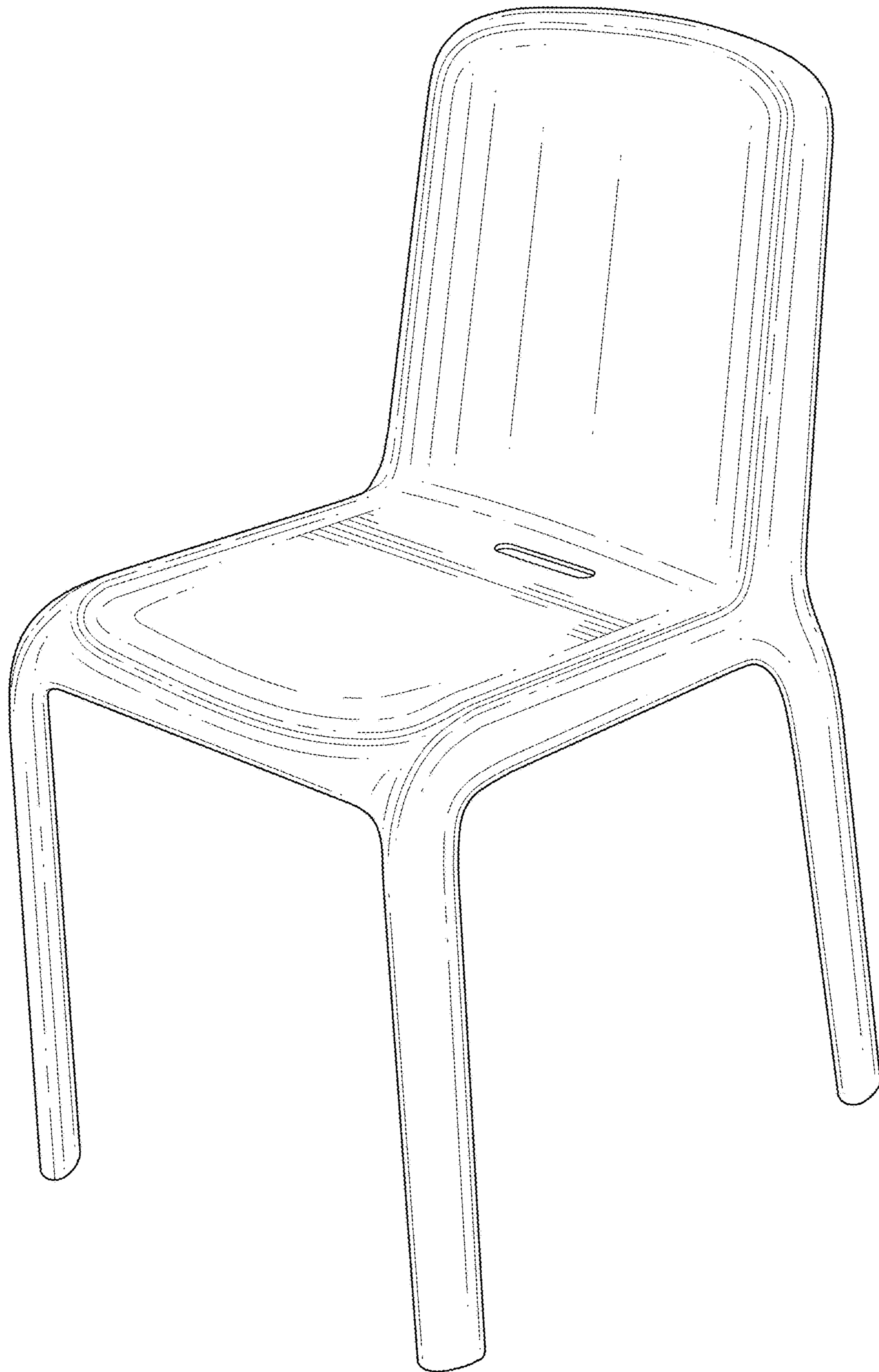


FIG. 1

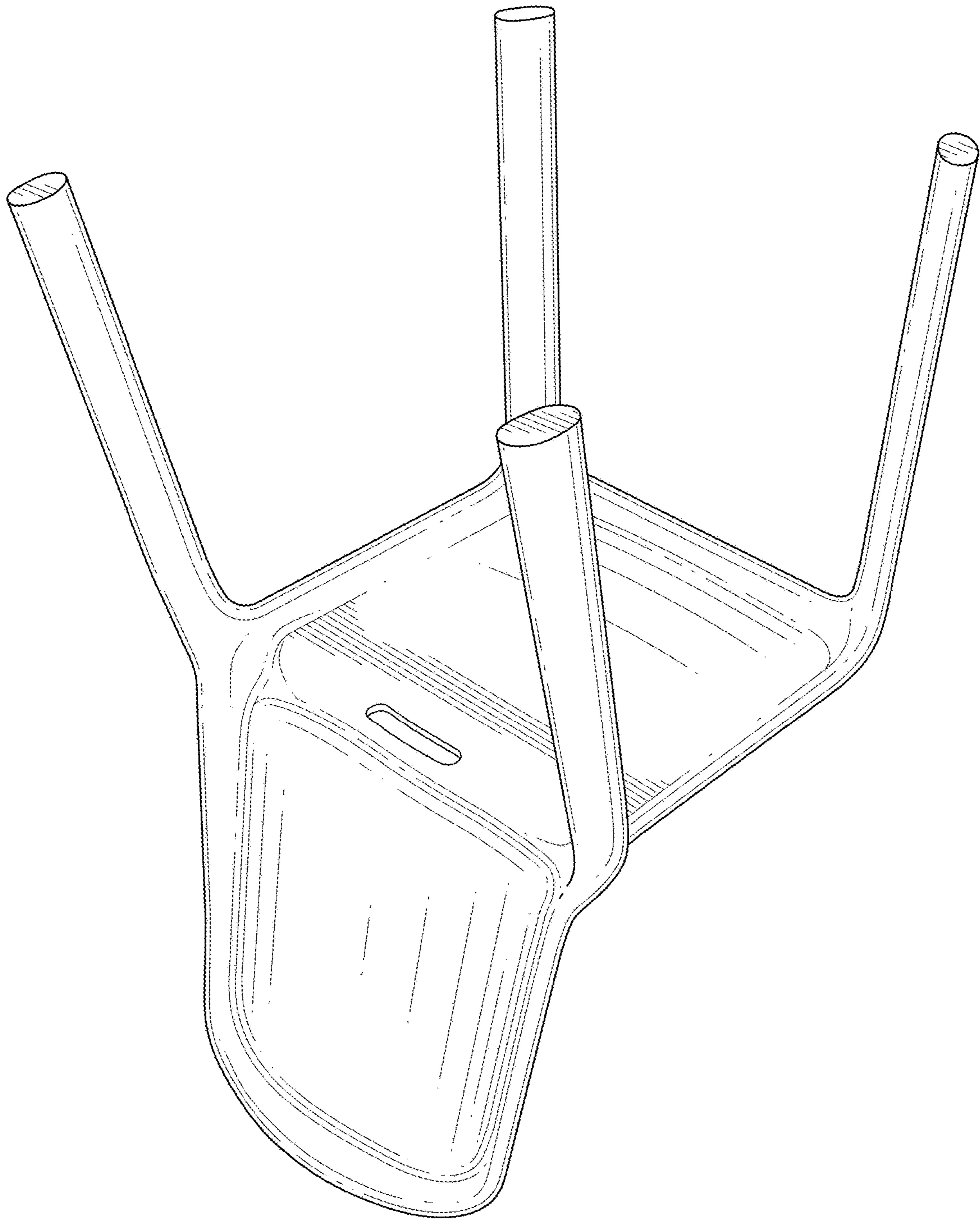


FIG. 2

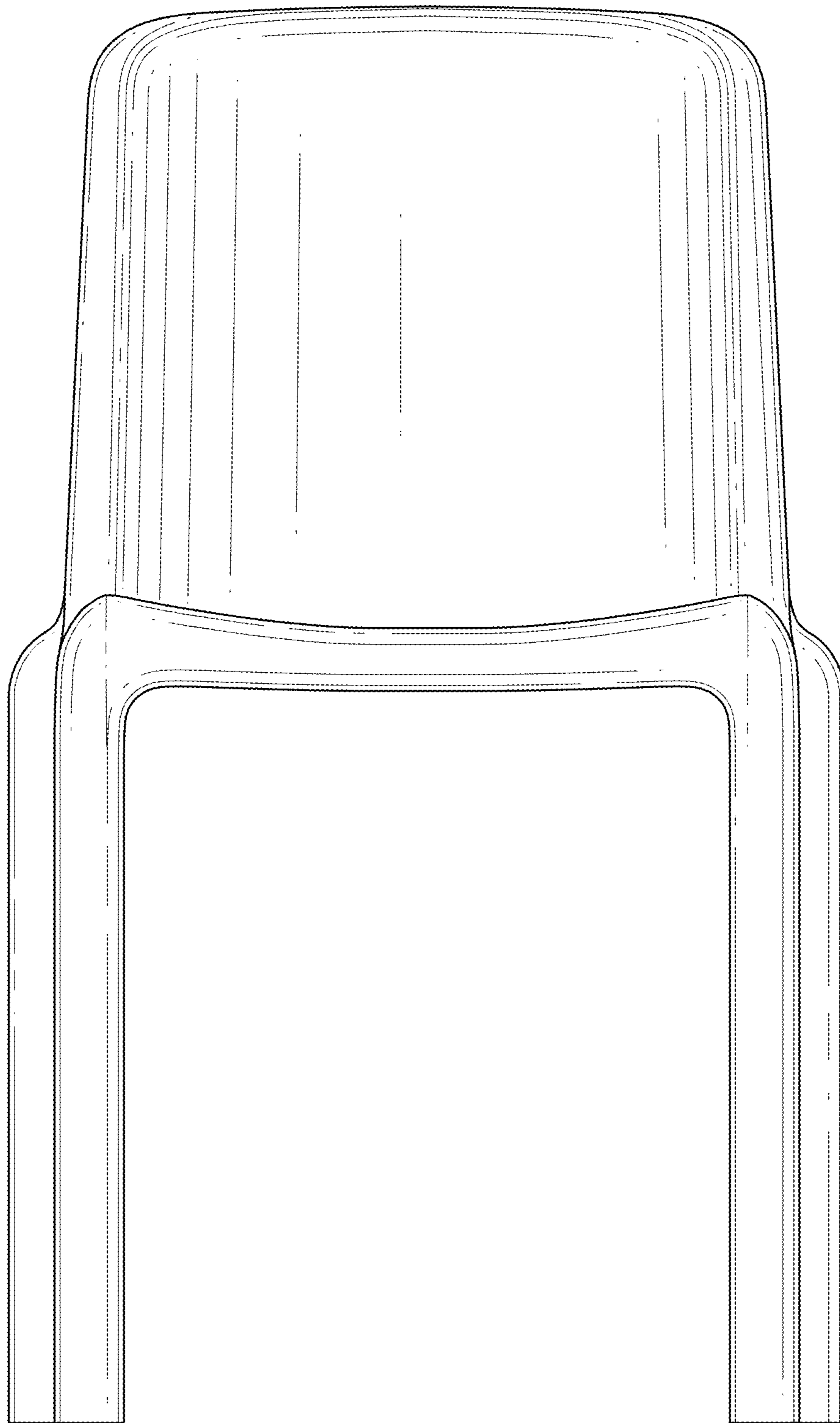


FIG. 3

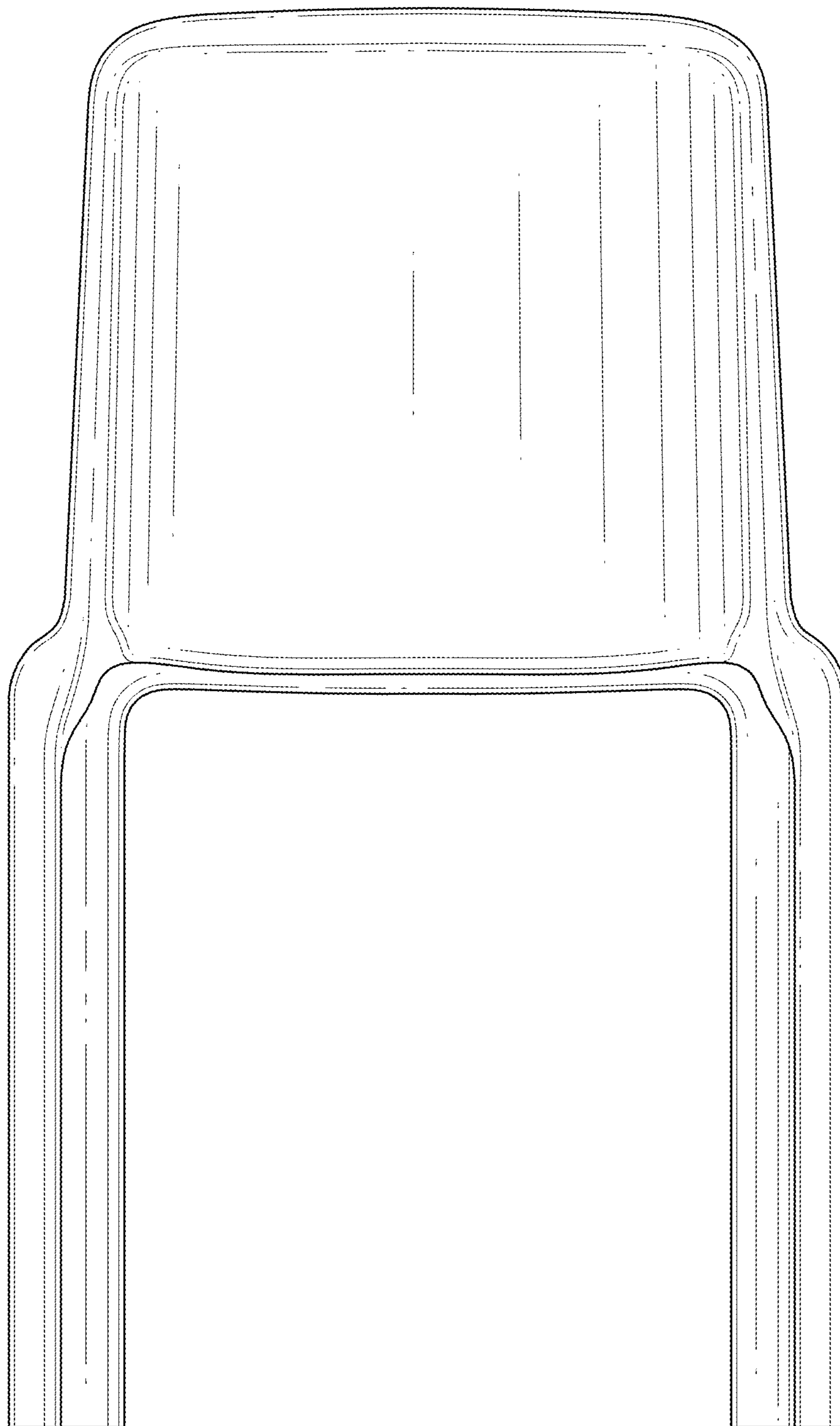


FIG.4

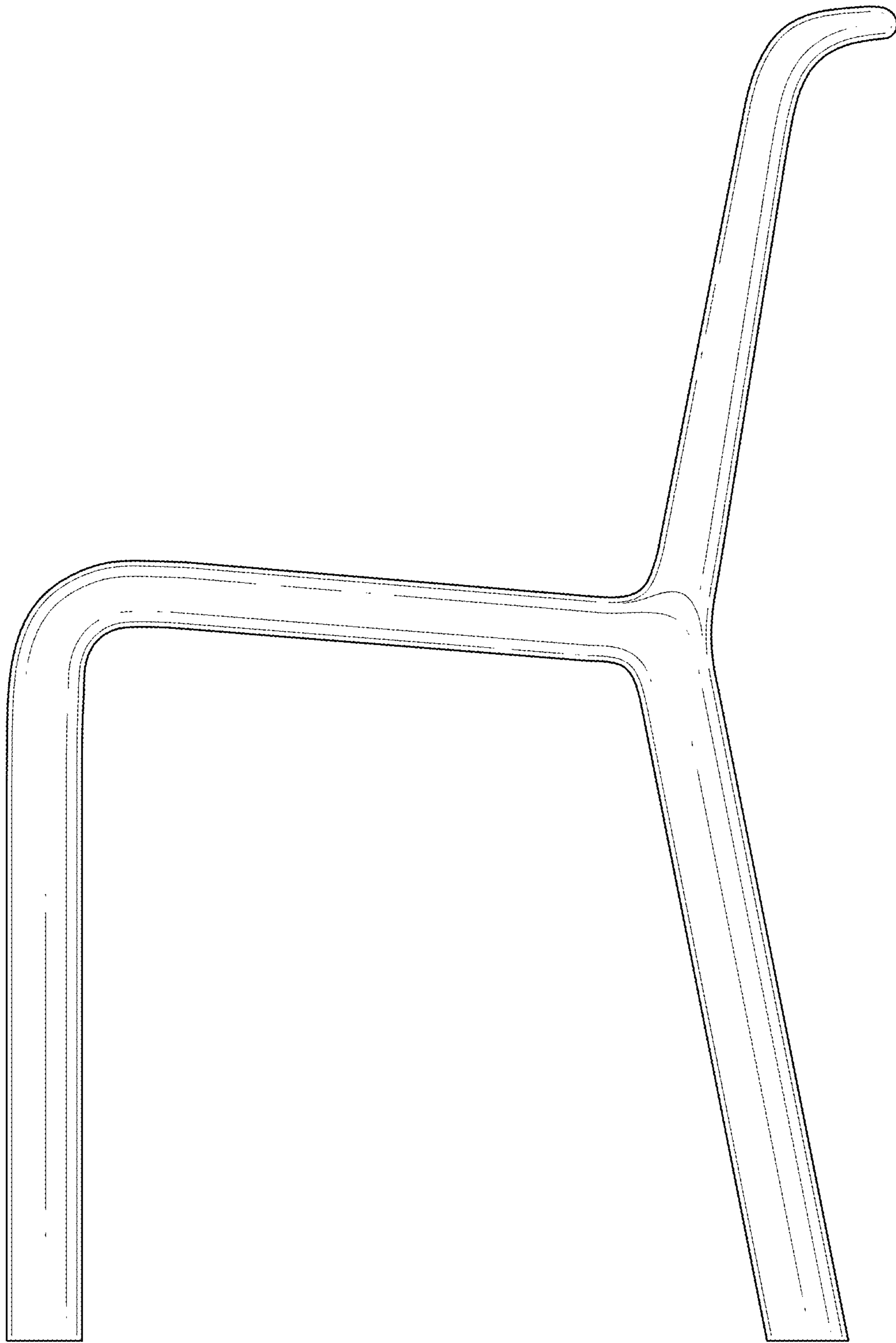


FIG. 5

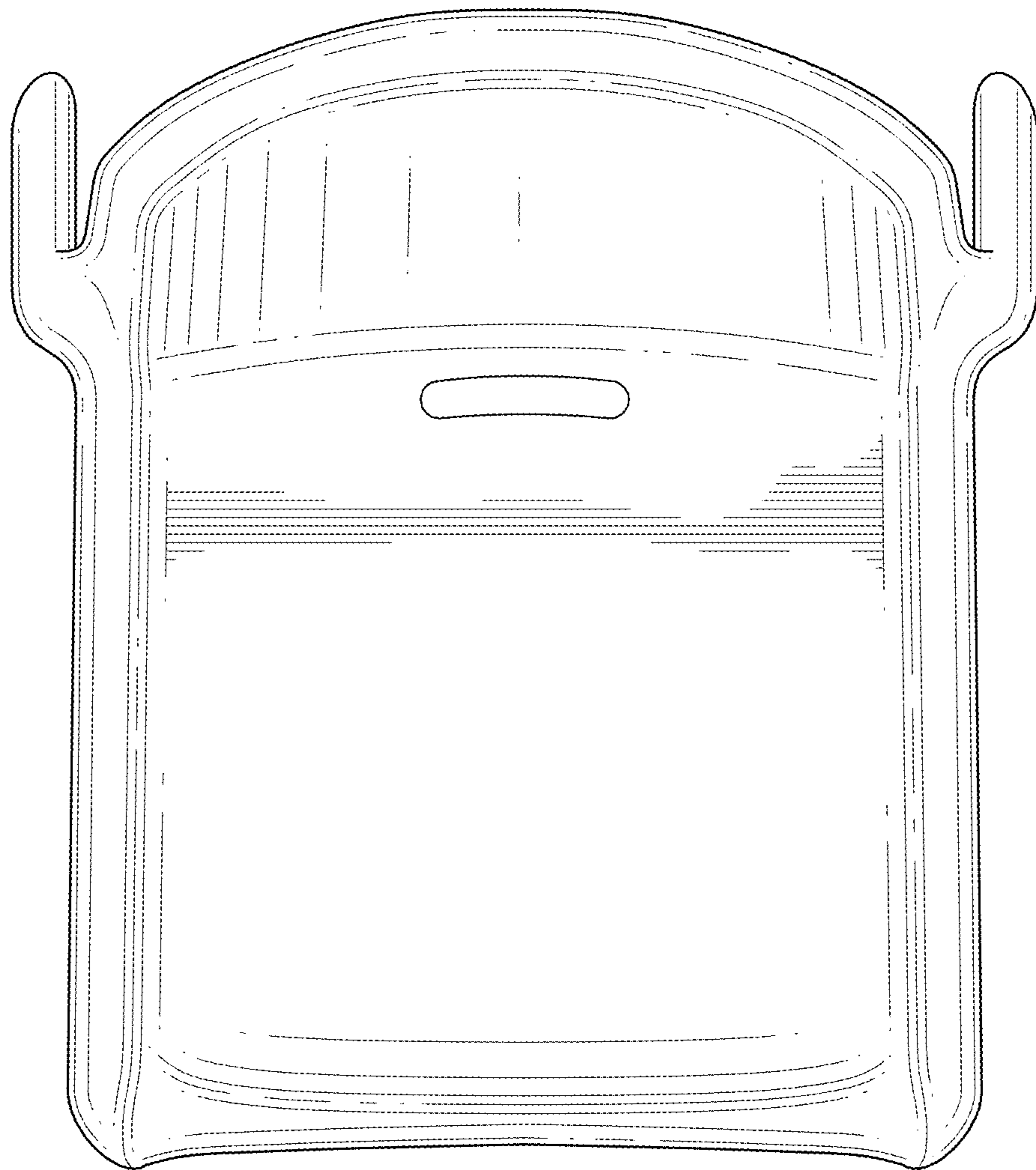


FIG. 6

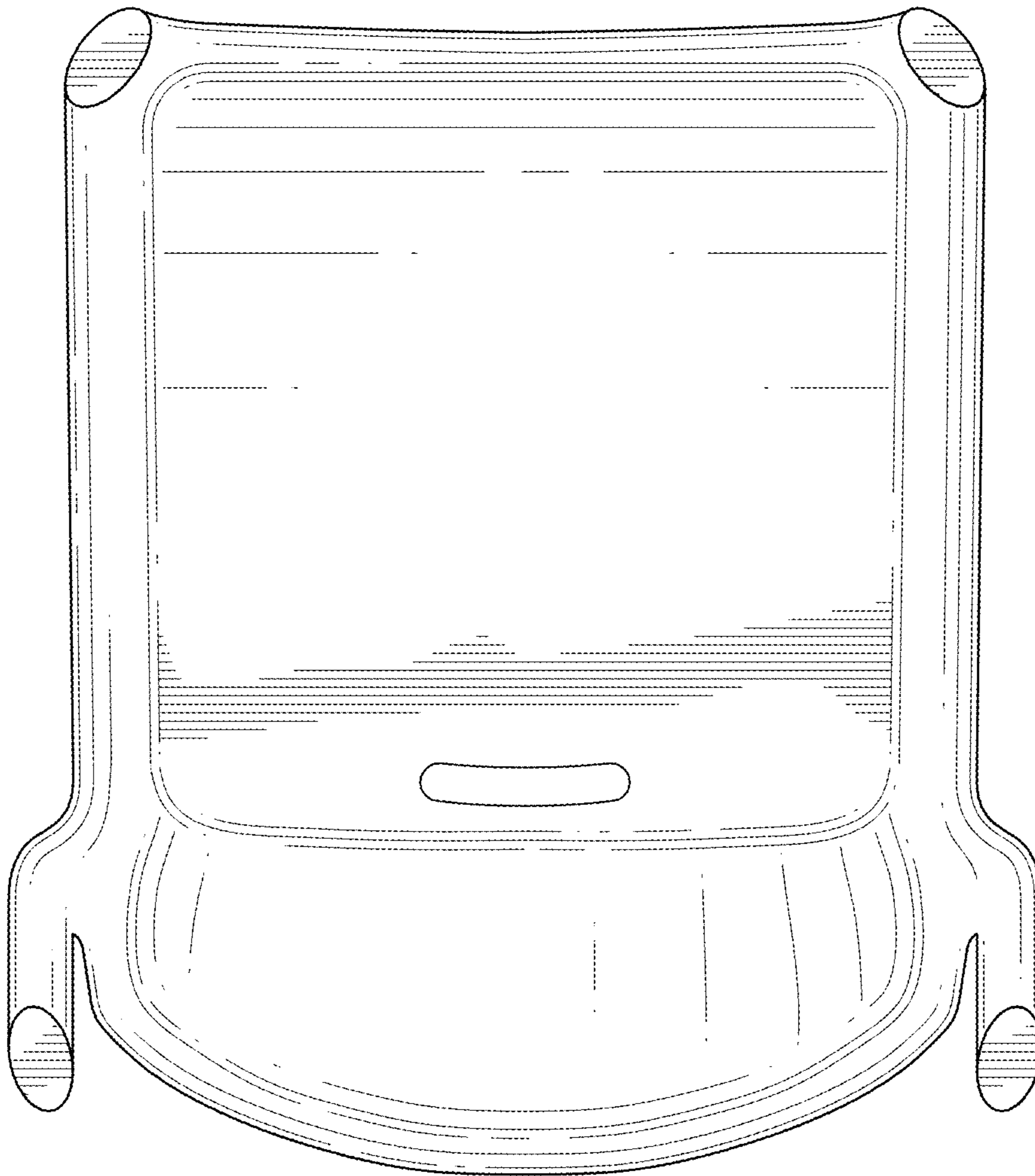


FIG. 7