



US00D821771S

(12) **United States Design Patent**
Ciani et al.

(10) **Patent No.:** **US D821,771 S**

(45) **Date of Patent:** **** Jul. 3, 2018**

(54) **CHAIR**

(71) Applicants: **Edi Ciani**, San Giovanni al Natisone (IT); **Paolo Ciani**, San Giovanni al Natisone (IT)

(72) Inventors: **Edi Ciani**, San Giovanni al Natisone (IT); **Paolo Ciani**, San Giovanni al Natisone (IT)

(**) Term: **15 Years**

(21) Appl. No.: **29/593,264**

(22) Filed: **Feb. 7, 2017**

(51) **LOC (11) Cl.** **06-01**

(52) **U.S. Cl.**
USPC **D6/375**

(58) **Field of Classification Search**
USPC D6/334-336, 371, 372, 373, 374, 375, D6/716, 716.1, 716.4
CPC A47C 3/04; A47C 3/12; A47C 4/02; A47C 4/03; A47C 5/12; A47C 7/16
See application file for complete search history.

(56) **References Cited**

U.S. PATENT DOCUMENTS

D426,972 S * 6/2000 Bellini D6/334
D465,100 S * 11/2002 Savini D6/375

D600,934 S * 9/2009 Woolley D6/375
D609,926 S * 2/2010 Diez D6/334
D689,296 S * 9/2013 Starck D6/375
D694,543 S * 12/2013 Chipman D6/375
D762,999 S * 8/2016 Huang D6/375

* cited by examiner

Primary Examiner — Mimosa De

(74) *Attorney, Agent, or Firm* — Ashkan Najafi

(57) **CLAIM**

The ornamental design for a chair, as shown and described.

DESCRIPTION

This United States non-provisional design patent application claims priority to and the benefit of European Union Intellectual Property Office design application number 003061647, filed on Apr. 8, 2016, currently pending.

FIG. 1 is a perspective view of a chair showing my new design;

FIG. 2 is a front elevational view thereof;

FIG. 3 is a rear elevational view thereof;

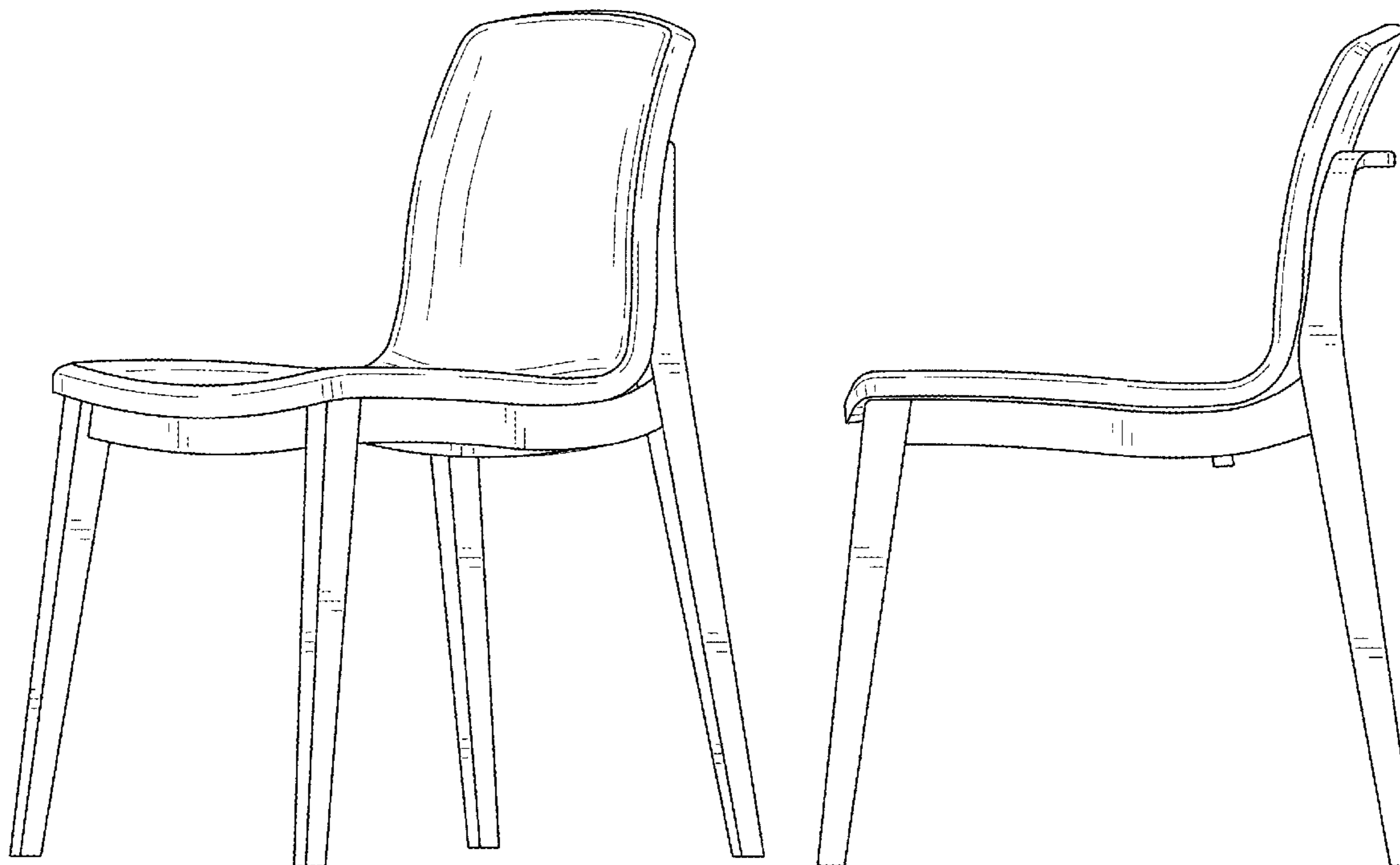
FIG. 4 is a left side elevational view thereof;

FIG. 5 is a right side elevational thereof;

FIG. 6 is a top plan view thereof; and,

FIG. 7 is a bottom plan view thereof.

1 Claim, 4 Drawing Sheets



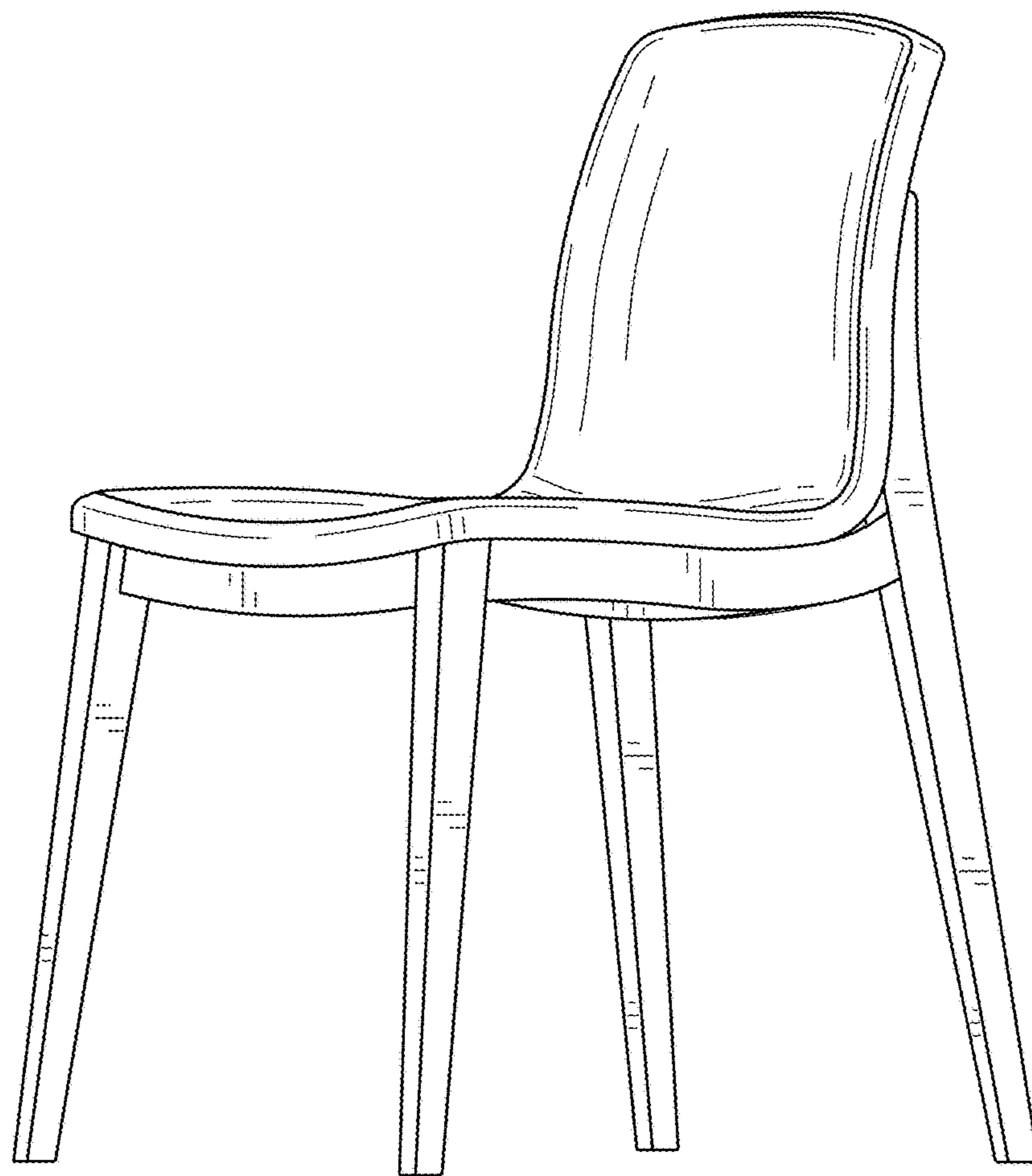


FIG. 1

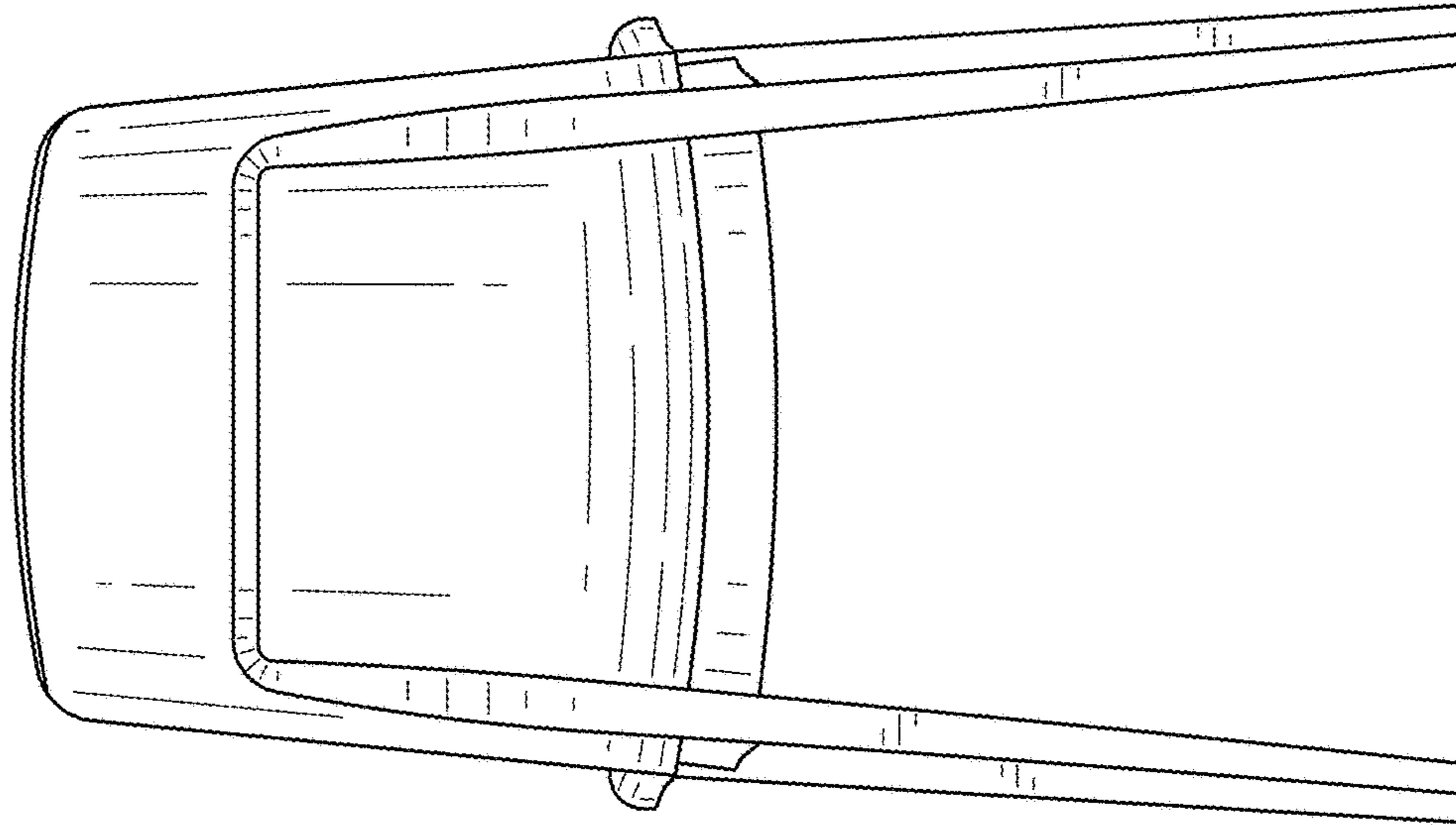


FIG. 3

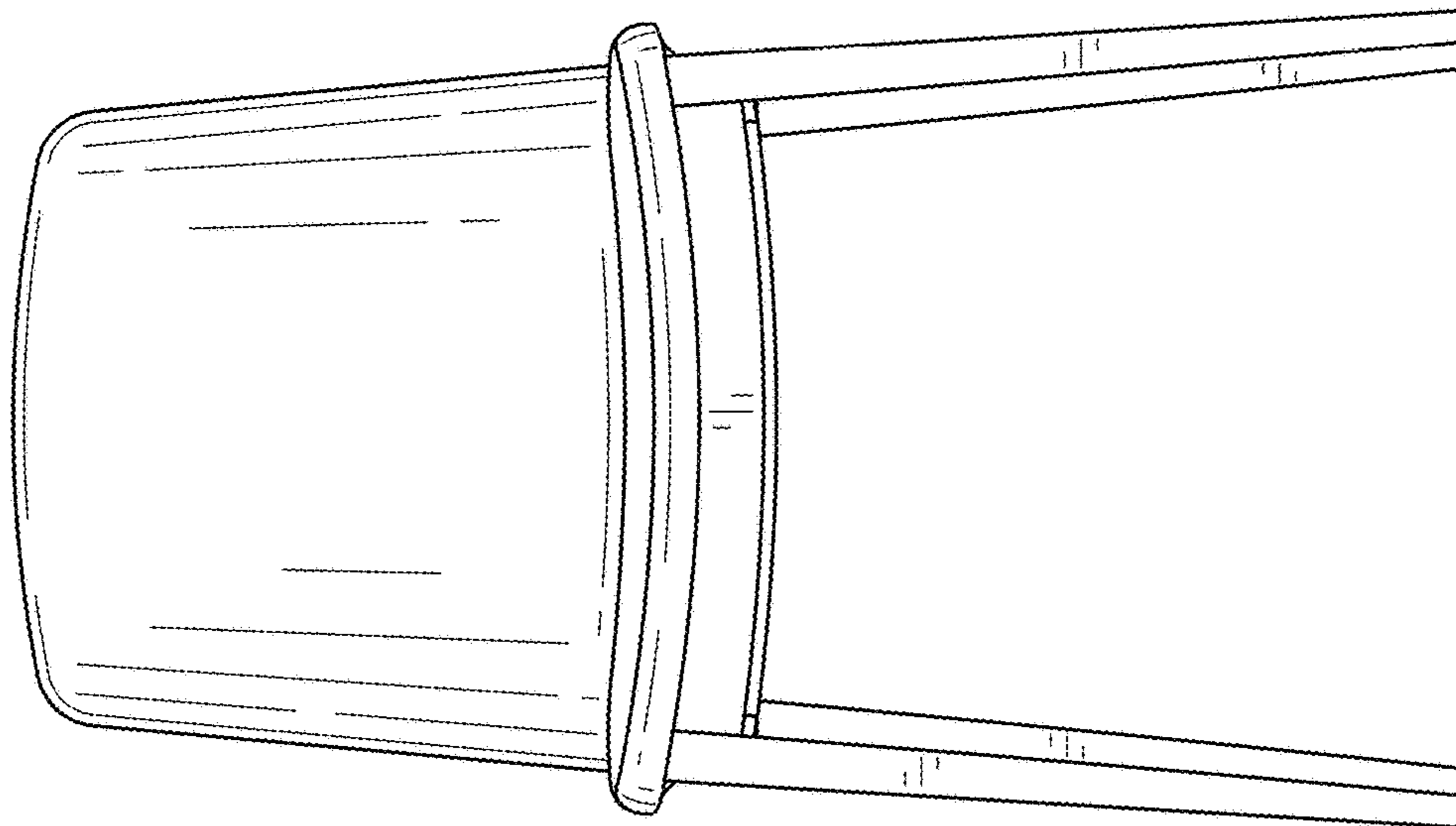


FIG. 2

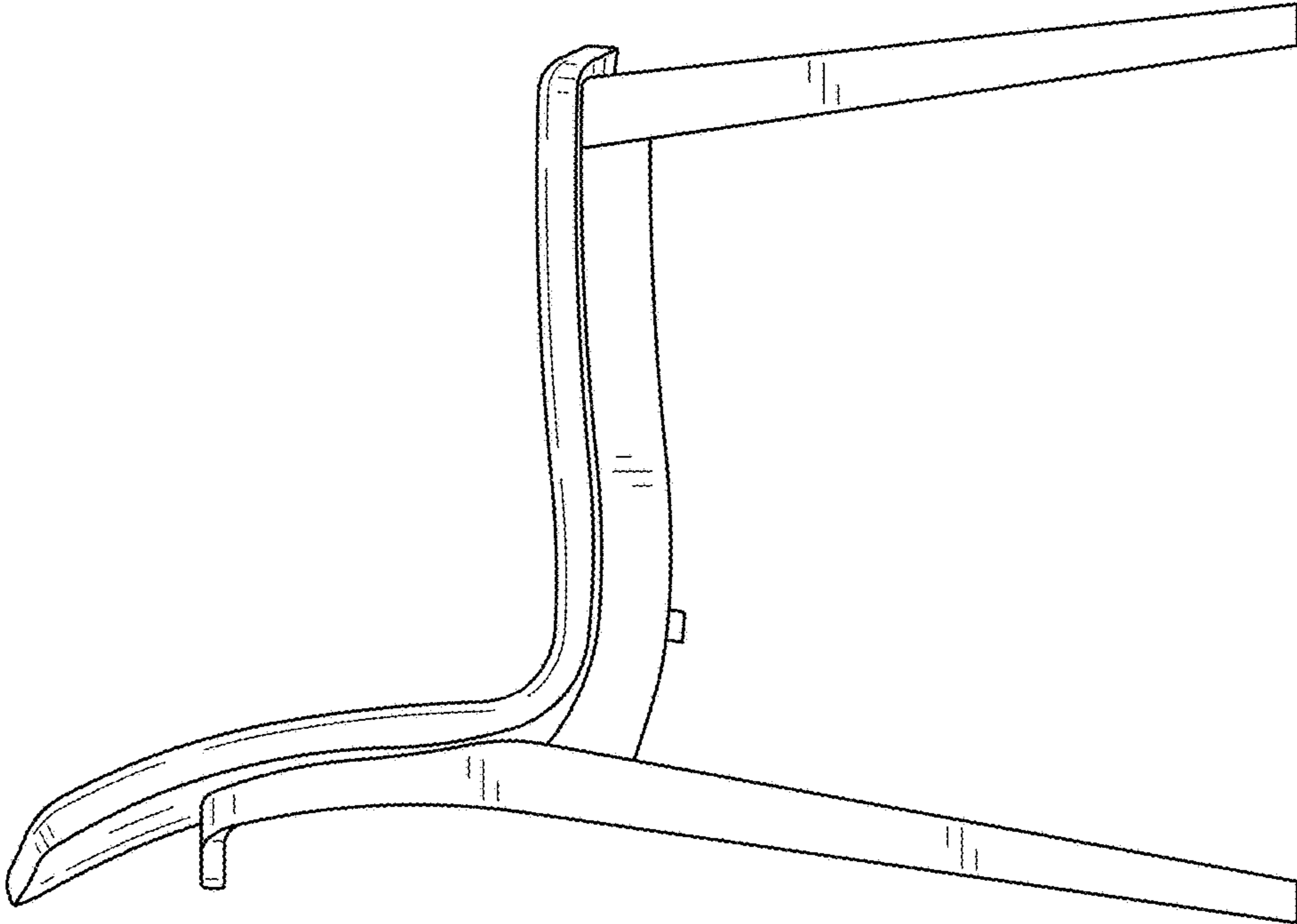


FIG. 4

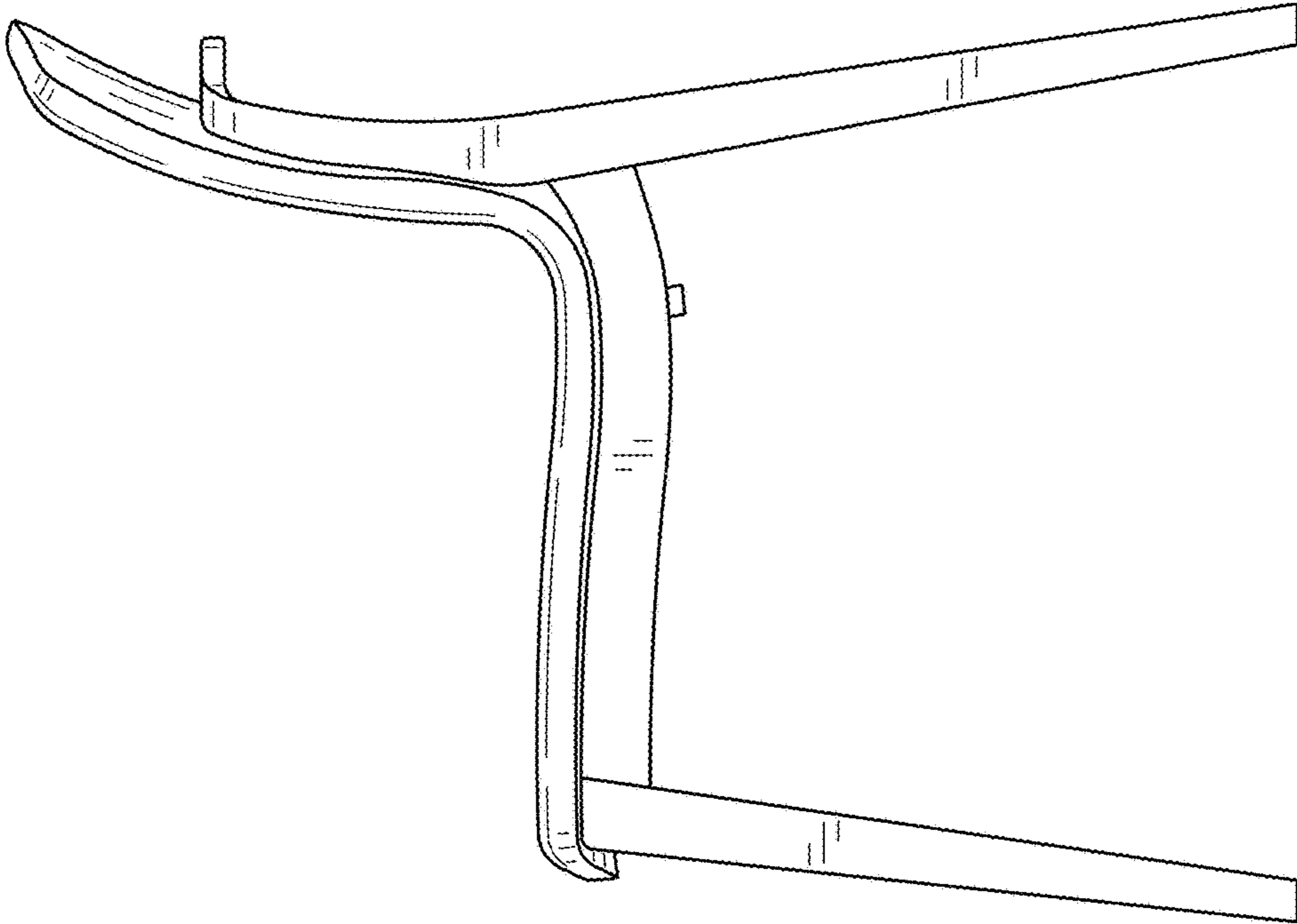


FIG. 5

FIG. 6

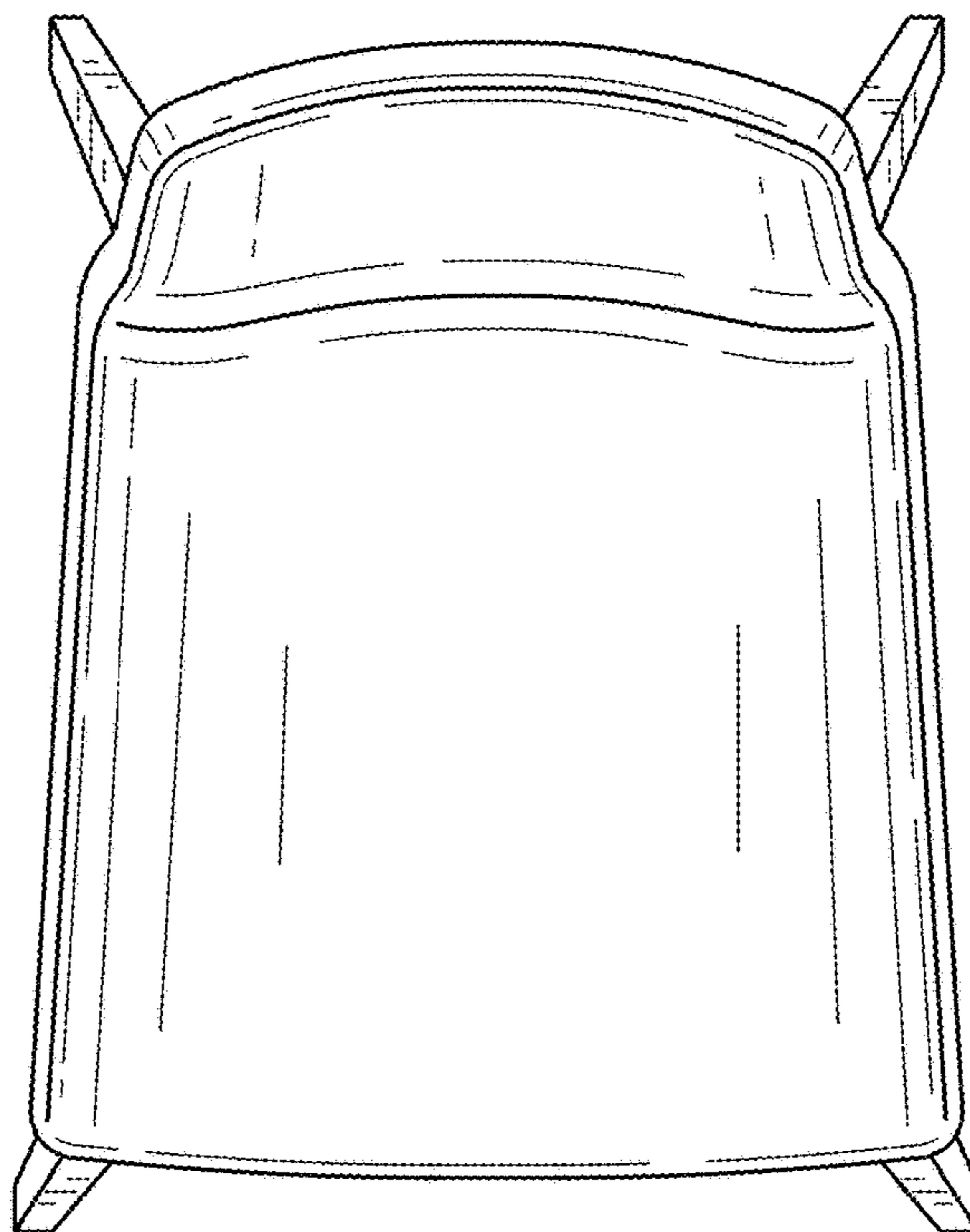


FIG. 7

