



US00D821769S

(12) **United States Design Patent** (10) **Patent No.:** **US D821,769 S**  
**Liu** (45) **Date of Patent:** **\*\* Jul. 3, 2018**

(54) **CHAIR**  
(71) Applicant: **Merry Yard International Enterprise Corp.**, New Taipei (TW)  
(72) Inventor: **Pao-Yu Liu**, New Taipei (TW)  
(73) Assignee: **MERRY YARD INTERNATIONAL ENTERPRISE CORP.**, New Taipei (TW)  
(\*\*) Term: **15 Years**  
(21) Appl. No.: **29/556,447**  
(22) Filed: **Mar. 1, 2016**  
(51) **LOC (11) Cl.** ..... **06-01**  
(52) **U.S. Cl.**  
USPC ..... **D6/375**  
(58) **Field of Classification Search**  
USPC ..... D6/334-336, 371, 372, 373, 374, 375, D6/379, 380, 716, 716.1, 716.2, 716.3, D6/716.4  
CPC .... A47C 3/04; A47C 4/02; A47C 4/03; A47C 5/12; A47C 3/12; B60N 2/686  
See application file for complete search history.

(56) **References Cited**  
U.S. PATENT DOCUMENTS  
D193,508 S \* 9/1962 Nakamura ..... D6/375  
D256,970 S \* 9/1980 Cassina ..... D6/334  
D325,837 S \* 5/1992 Schwartz ..... D6/370  
5,123,702 A \* 6/1992 Caruso ..... A47C 3/04  
297/239  
D333,044 S \* 2/1993 Caruso ..... D6/373  
5,338,091 A \* 8/1994 Miller ..... A47C 5/06  
297/218.4  
D390,026 S \* 2/1998 Biecher ..... D6/374  
5,868,468 A \* 2/1999 Wang ..... A47C 3/04  
297/239

D406,196 S \* 3/1999 Lyons ..... D6/375  
D409,407 S \* 5/1999 Wang ..... D6/374  
D426,970 S \* 6/2000 Kolberg ..... D6/374  
D441,557 S \* 5/2001 Glass ..... D6/374  
D471,729 S \* 3/2003 Glass ..... D6/375  
D473,407 S \* 4/2003 Ross ..... D6/375  
D492,131 S \* 6/2004 Starck ..... D6/375  
D497,065 S \* 10/2004 Lucci ..... D6/716  
D499,260 S \* 12/2004 Glass ..... D6/375  
D503,300 S \* 3/2005 Olson ..... D6/716  
D547,980 S \* 8/2007 Glass ..... D6/375  
D555,379 S \* 11/2007 Ziliani ..... D6/375  
D593,336 S \* 6/2009 Ciani ..... D6/374  
D596,870 S \* 7/2009 Massaud ..... D6/369  
D600,028 S \* 9/2009 Starck ..... D6/334  
D637,426 S \* 5/2011 Muller ..... D6/716  
D648,143 S \* 11/2011 Lambert ..... D6/334  
D660,611 S \* 5/2012 Barile ..... D6/374  
D686,439 S \* 7/2013 Glass ..... D6/716

(Continued)

*Primary Examiner* — David Muller  
*Assistant Examiner* — Nathan Johnston  
(74) *Attorney, Agent, or Firm* — Bacon & Thomas, PLLC

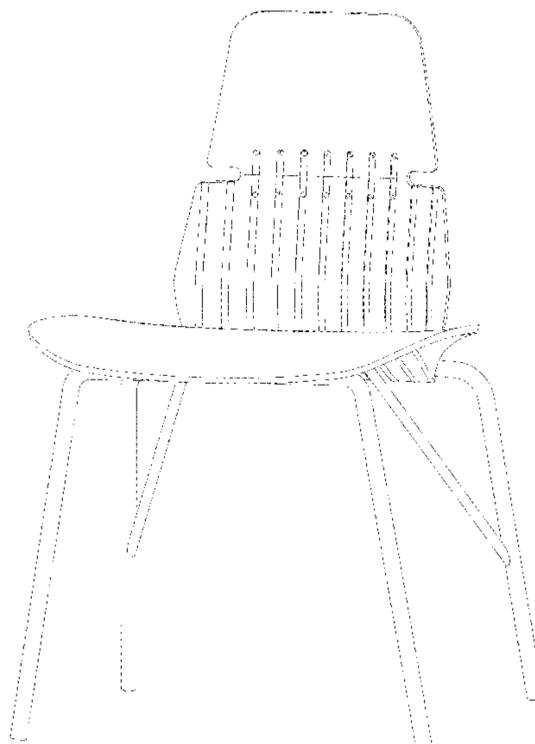
(57) **CLAIM**

The ornamental design for a chair, as shown and described.

**DESCRIPTION**

FIG. 1 is a perspective view of a chair showing my new design;  
FIG. 2 is a perspective view taken from the back view thereof;  
FIG. 3 is a front elevation view thereof;  
FIG. 4 is a rear elevation view thereof;  
FIG. 5 is a left side elevation view thereof;  
FIG. 6 is a right side elevation view thereof;  
FIG. 7 is a top plan view thereof; and,  
FIG. 8 is a bottom plan view thereof.  
The broken lines show portions of the design that form no part of the claimed design.

**1 Claim, 8 Drawing Sheets**



(56)

**References Cited**

U.S. PATENT DOCUMENTS

D694,543	S *	12/2013	Chipman .....	D6/375
D697,734	S *	1/2014	Kubryk .....	D6/374
D698,171	S *	1/2014	Ciocchini .....	D6/375
D706,067	S *	6/2014	Romero .....	D6/716
D707,053	S *	6/2014	Radice .....	D6/375
D745,787	S *	12/2015	Tiet .....	D6/375
D762,999	S *	8/2016	Huang .....	D6/375
D766,005	S *	9/2016	Ciani .....	D6/374
D779,220	S *	2/2017	Martinez .....	D6/375
D779,848	S *	2/2017	Burden .....	D6/370
2005/0012371	A1 *	1/2005	Mendenhall .....	A47C 1/124 297/248
2011/0062754	A1 *	3/2011	Mills .....	A47C 3/04 297/188.08

\* cited by examiner

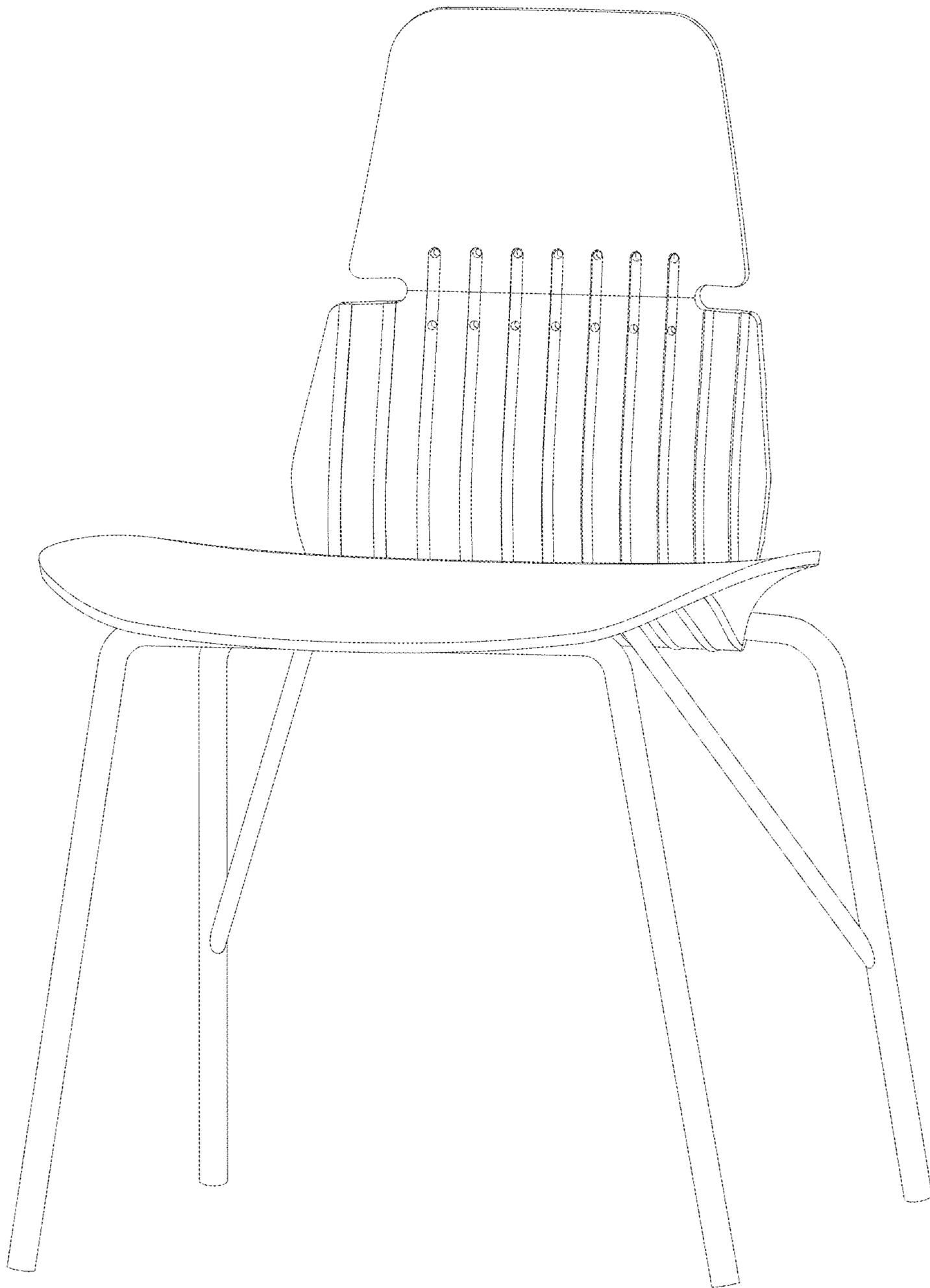


Fig. 1

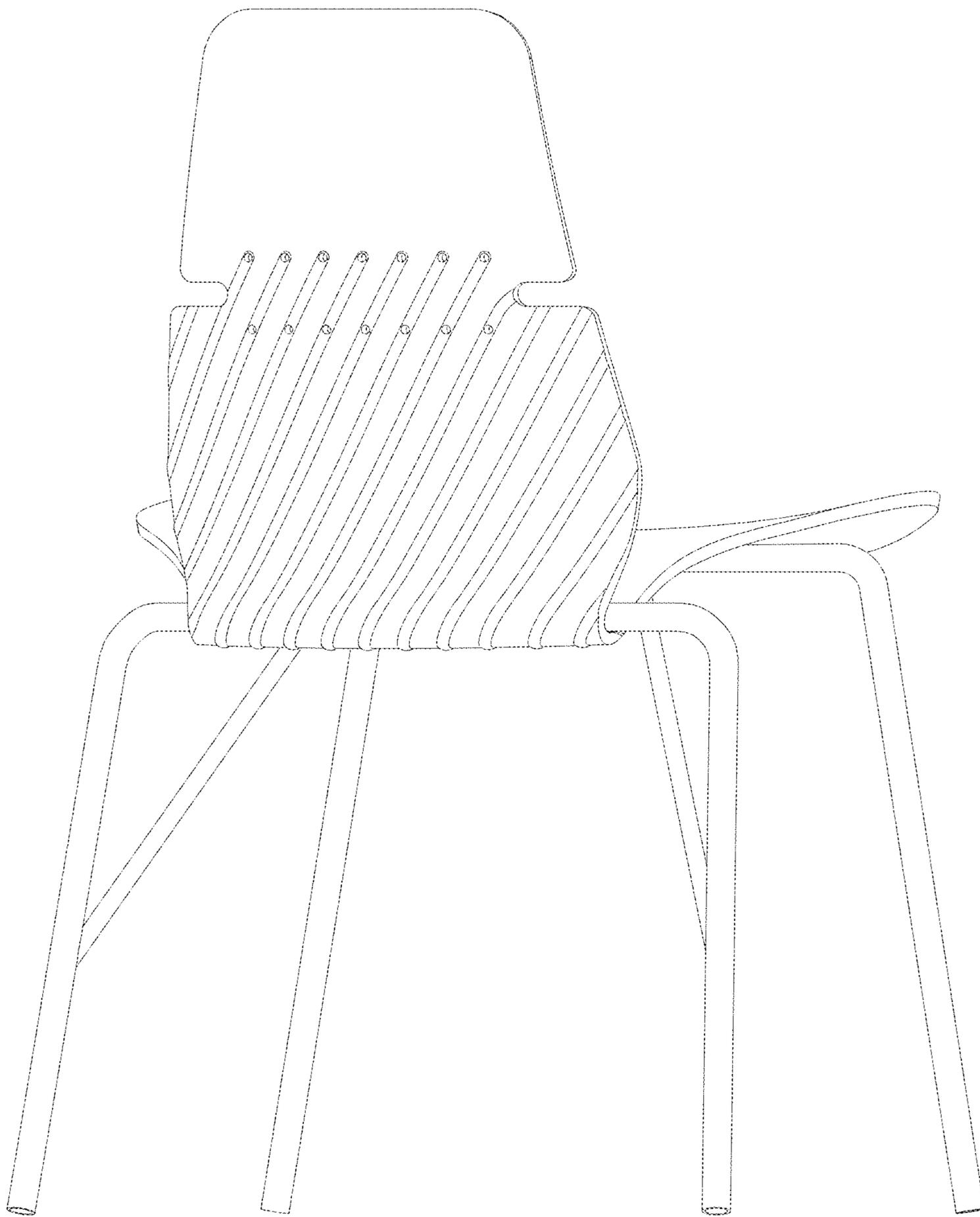


Fig. 2

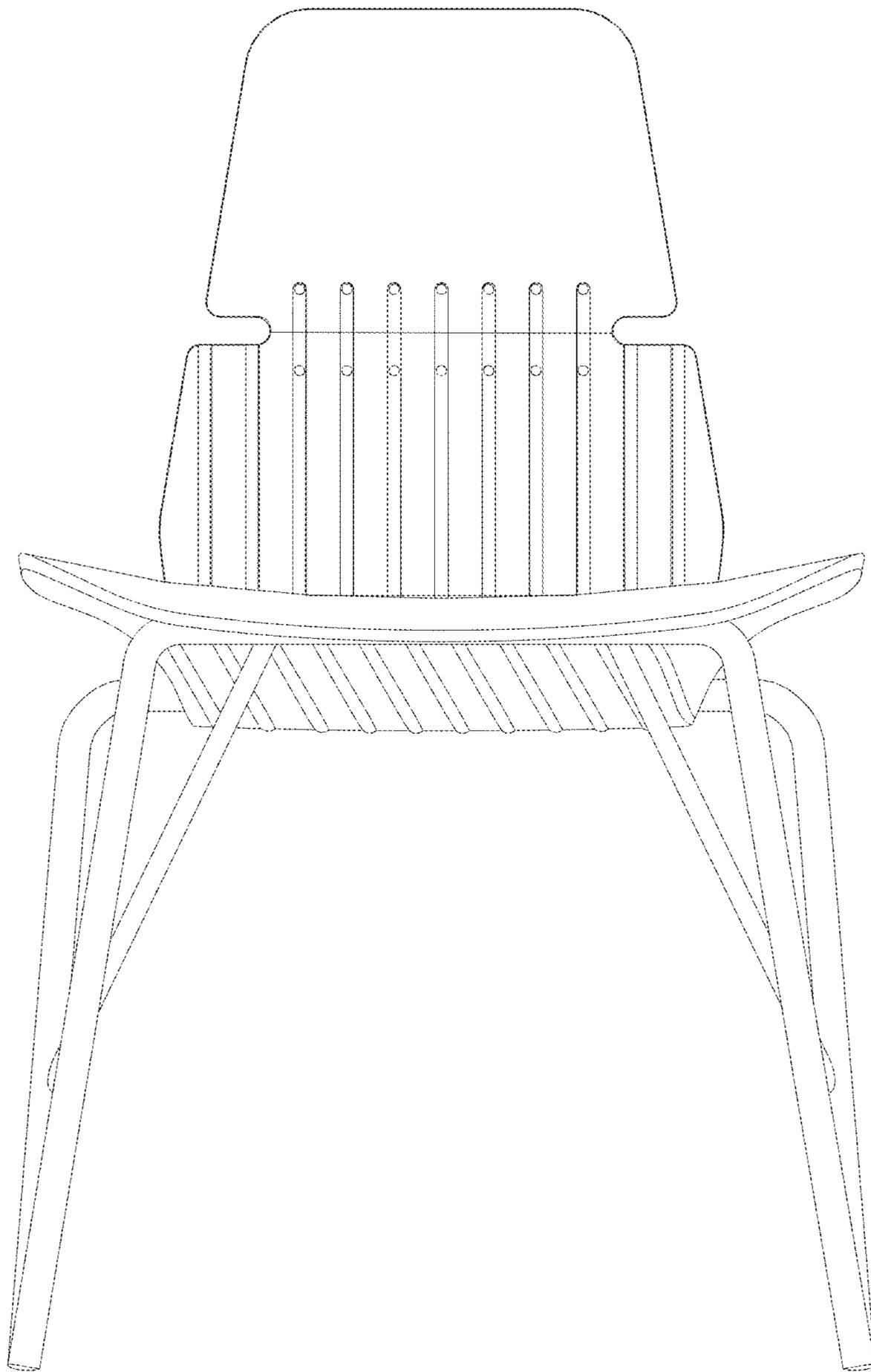


Fig. 3

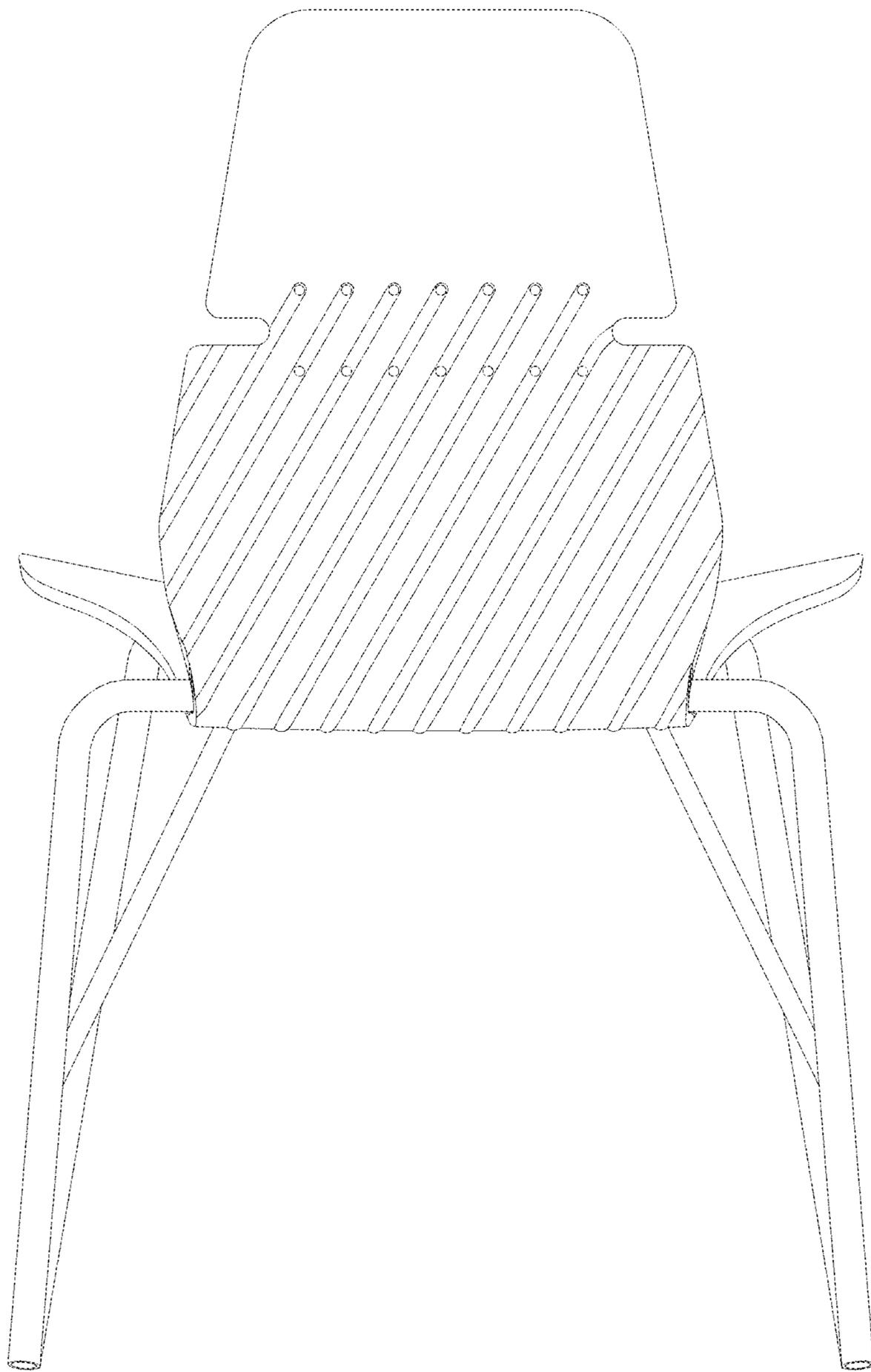


Fig. 4

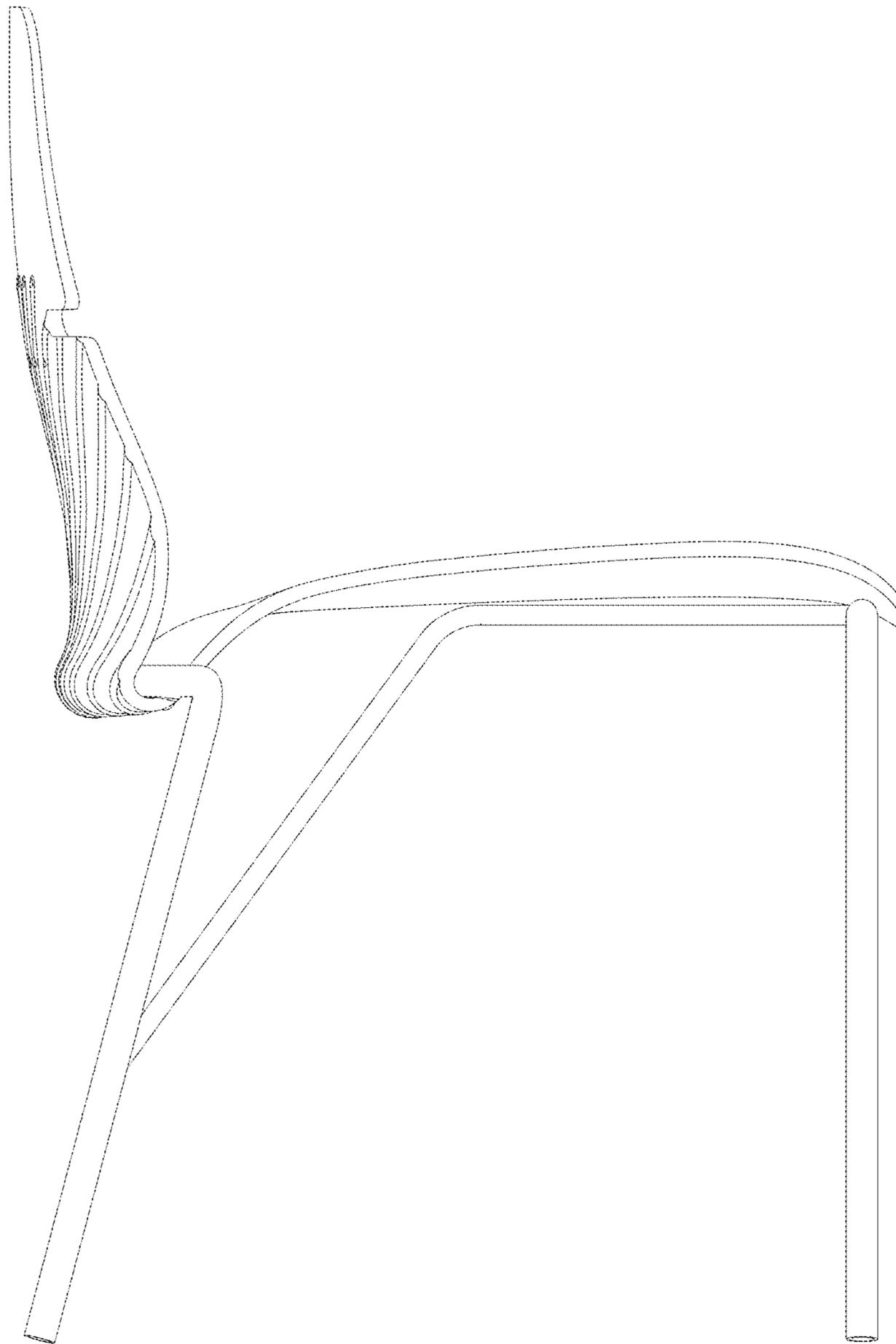


Fig. 5

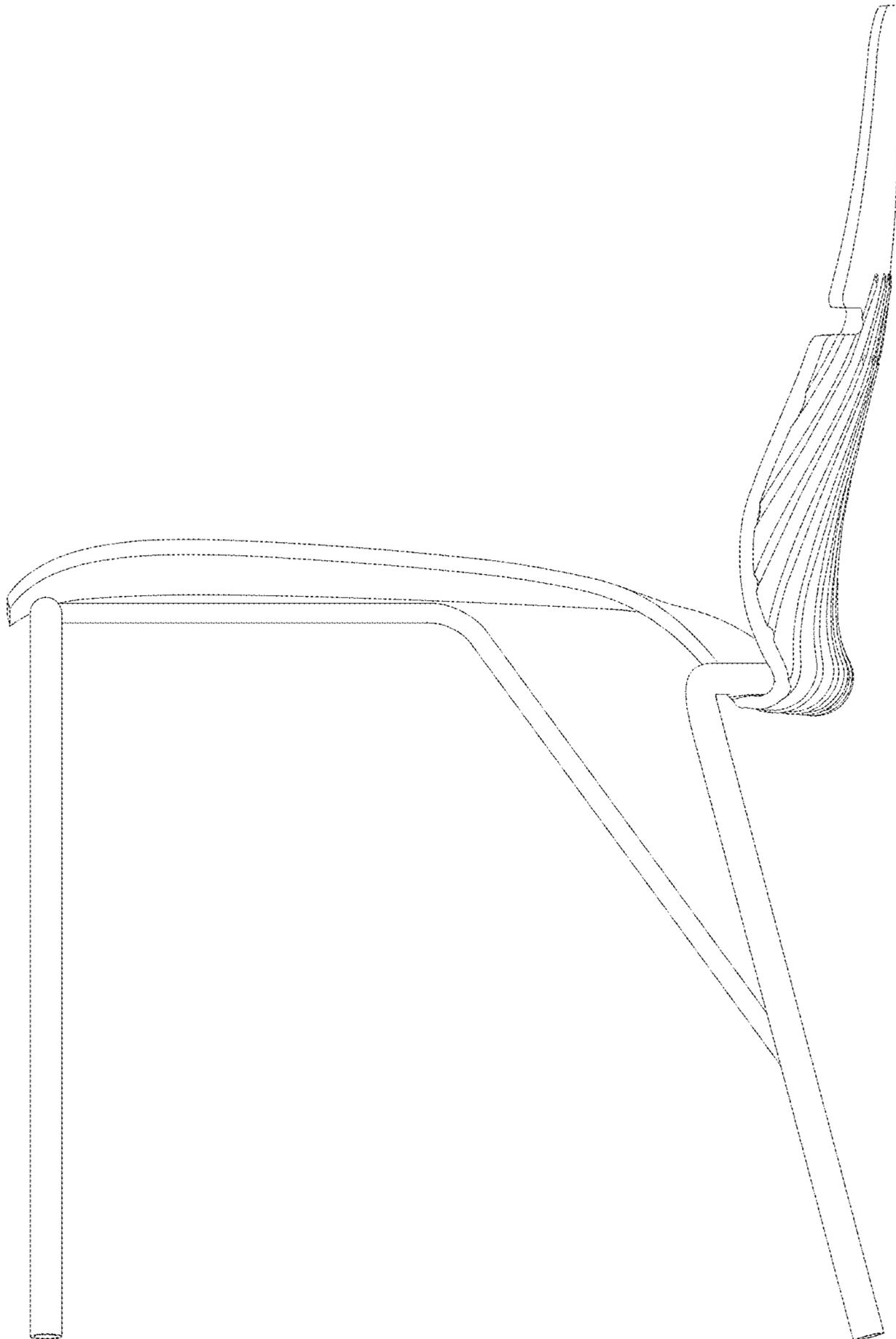


Fig. 6



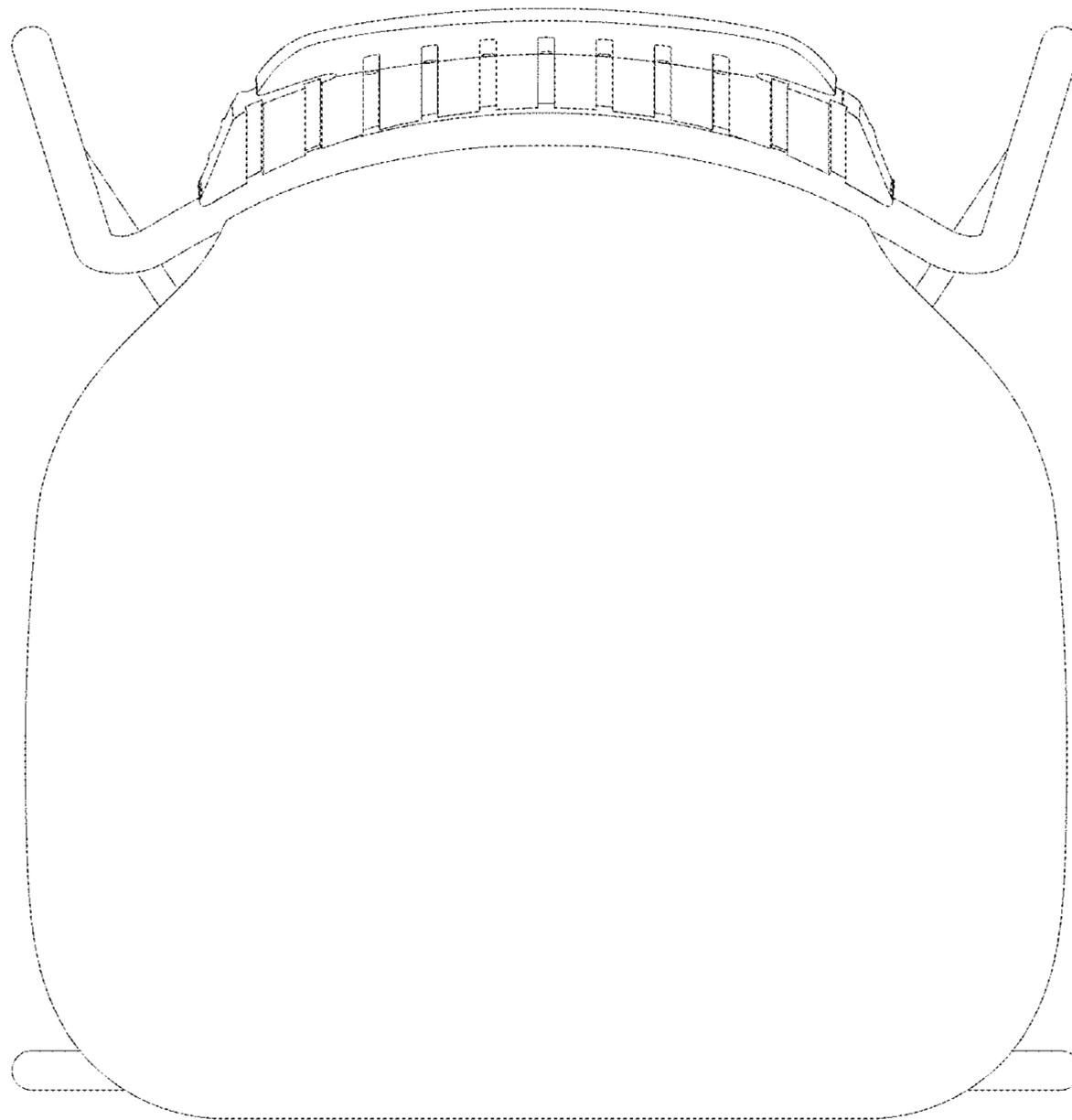


Fig. 7

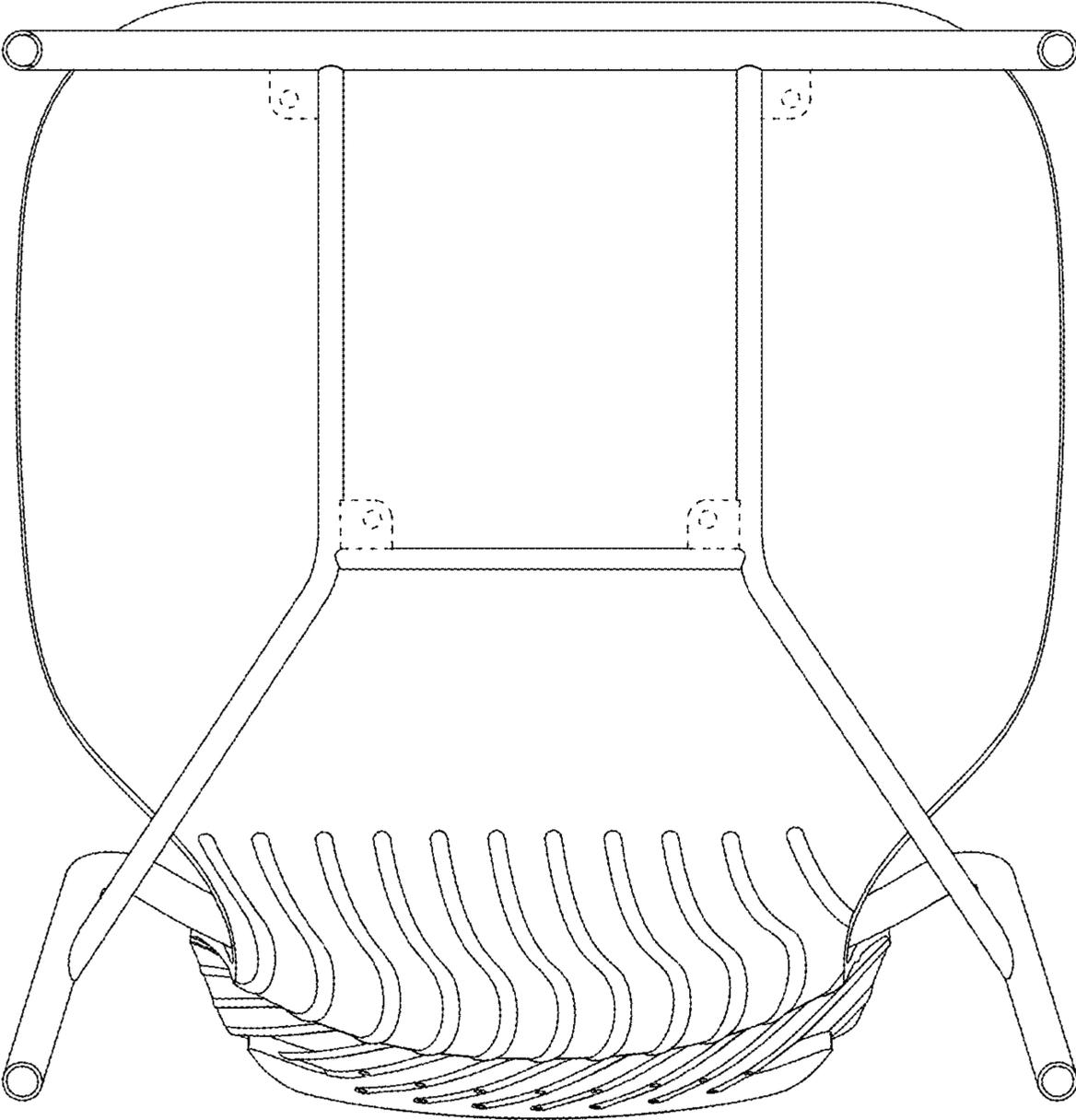


Fig. 8