



US00D821768S

(12) **United States Design Patent**
Jones

(10) **Patent No.:** **US D821,768 S**
(45) **Date of Patent:** **** Jul. 3, 2018**

(54) **CHAIR**
(71) Applicant: **Williams-Sonoma, Inc.**, San Francisco, CA (US)
(72) Inventor: **Ana Jones**, Brooklyn, NY (US)
(73) Assignee: **Williams-Sonoma, Inc.**, San Francisco, CA (US)
(**) Term: **15 Years**

2,667,916 A * 2/1954 Burd A47C 5/06
29/428
D178,608 S * 8/1956 Larsen D6/379
D182,427 S * 4/1958 McCathy et al. D6/379
D182,428 S * 4/1958 McCathy et al. D6/379
D184,854 S * 4/1959 Cramer, Jr. D6/379
D186,270 S * 10/1959 Christensen et al. D6/379
D186,878 S * 12/1959 Cramer, Jr. D6/379
D425,720 S * 5/2000 Smith D6/380
D426,973 S * 6/2000 Risdall D6/375
D439,070 S * 3/2001 Turner D6/379
D443,151 S * 6/2001 Frinier D6/379
D690,952 S * 10/2013 Becker D6/374

(21) Appl. No.: **29/616,642**

FOREIGN PATENT DOCUMENTS

(22) Filed: **Sep. 7, 2017**

FR 746659 A * 6/1933 A47C 5/06

(51) **LOC (11) Cl.** **06-01**

* cited by examiner

(52) **U.S. Cl.**

USPC **D6/374**; D6/376; D6/380

Primary Examiner — Mimosa De

(58) **Field of Classification Search**

USPC D6/334-336, 371, 372, 373, 374, 376,
D6/379, 380, 716, 716.1, 716.4

(74) *Attorney, Agent, or Firm* — Cook Alex Ltd.; R. Blake Johnston

CPC .. A47C 4/02; A47C 4/02; A47C 4/024; A47C
4/025; A47C 4/028; A47C 5/04; A47C
5/06; A47C 7/18; A47C 7/24

(57) **CLAIM**

The ornamental design for a chair, as shown and described.

See application file for complete search history.

DESCRIPTION

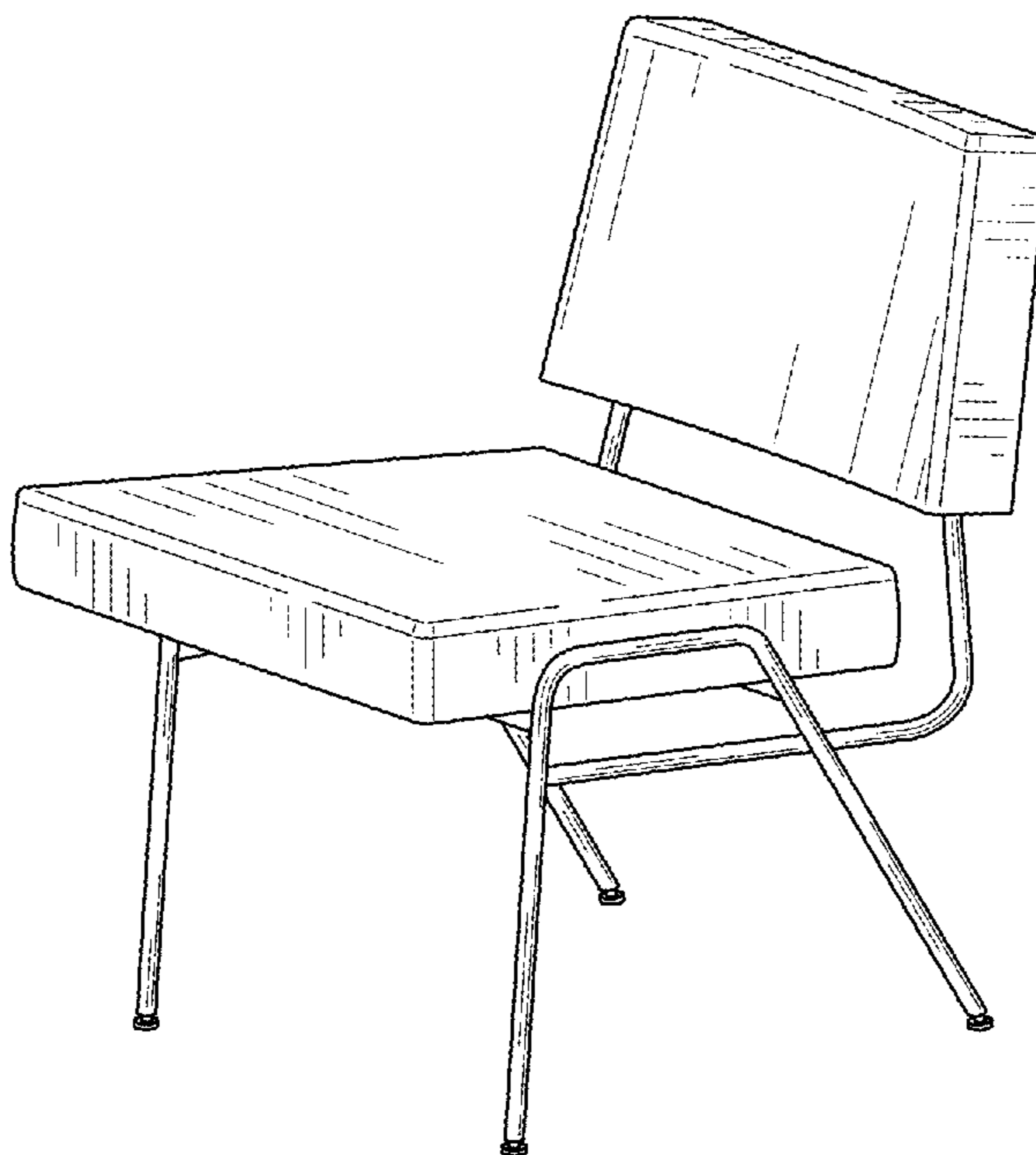
(56) **References Cited**

U.S. PATENT DOCUMENTS

D115,052 S * 5/1939 Salomon D6/379
D155,013 S * 8/1949 Kipp D6/379
D155,727 S * 10/1949 Paden D6/379
D155,728 S * 10/1949 Paden D6/379
D165,788 S * 1/1952 Risom D6/379
2,650,658 A * 9/1953 Choate A47C 5/06
297/163

FIG. 1 is a perspective view of the chair;
FIG. 2 is a front elevational view of the chair;
FIG. 3 is a rear elevational view of the chair;
FIG. 4 is a left side elevational view of the chair, the
opposite side of which is a mirror image;
FIG. 5 is a top plan view of the chair; and,
FIG. 6 is a bottom plan view of the chair.

1 Claim, 4 Drawing Sheets



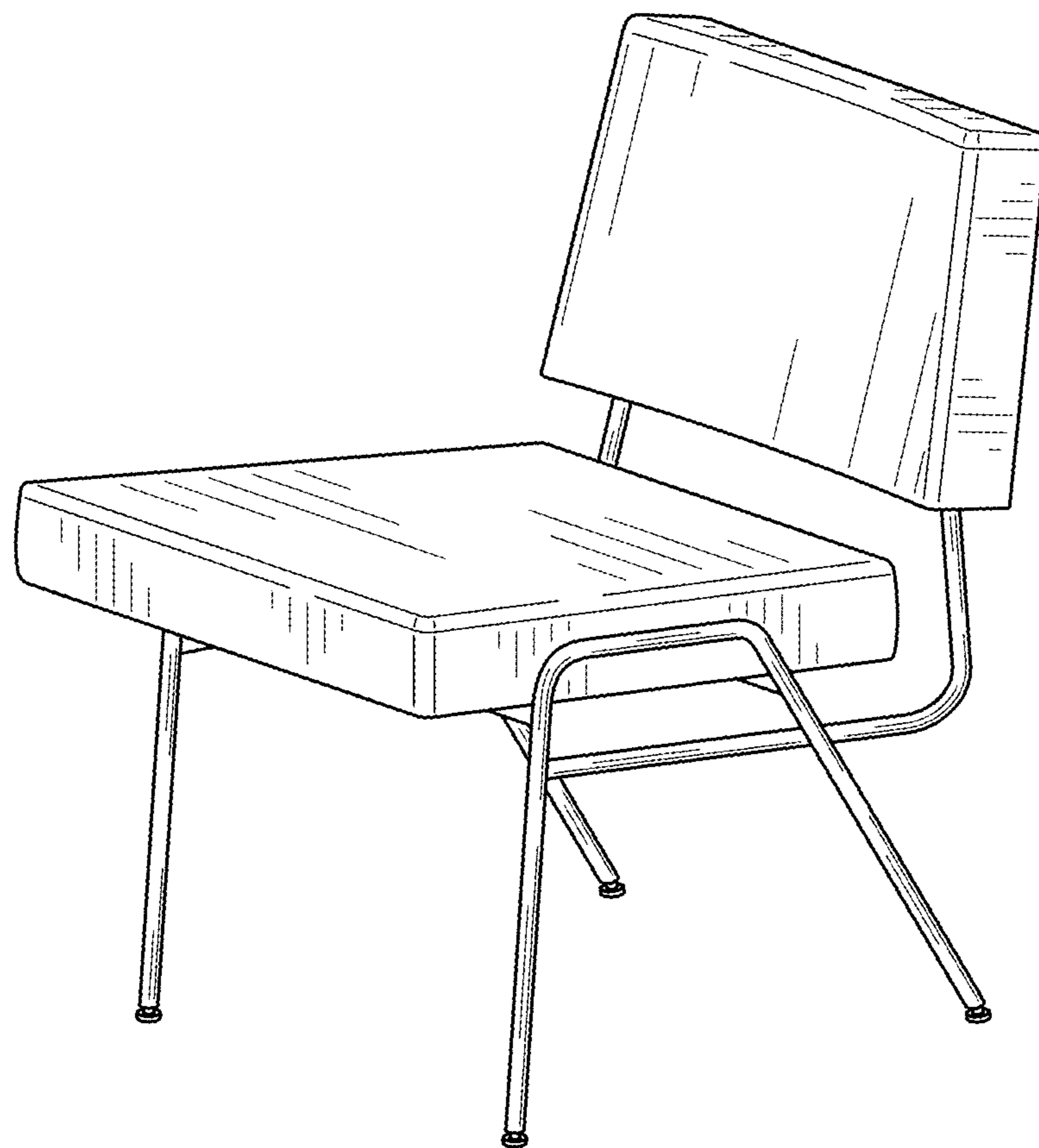


FIG. 1

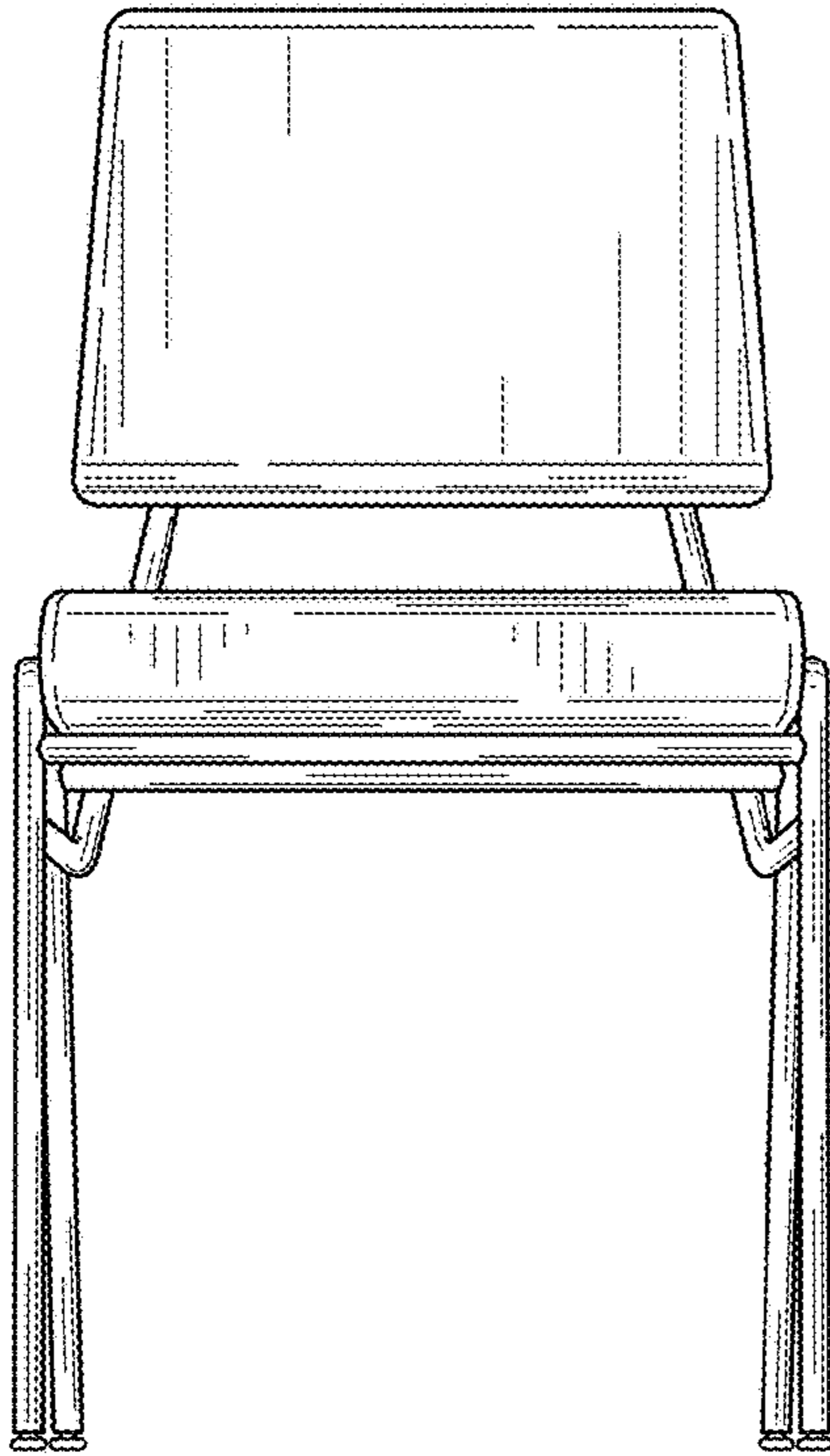


FIG. 2

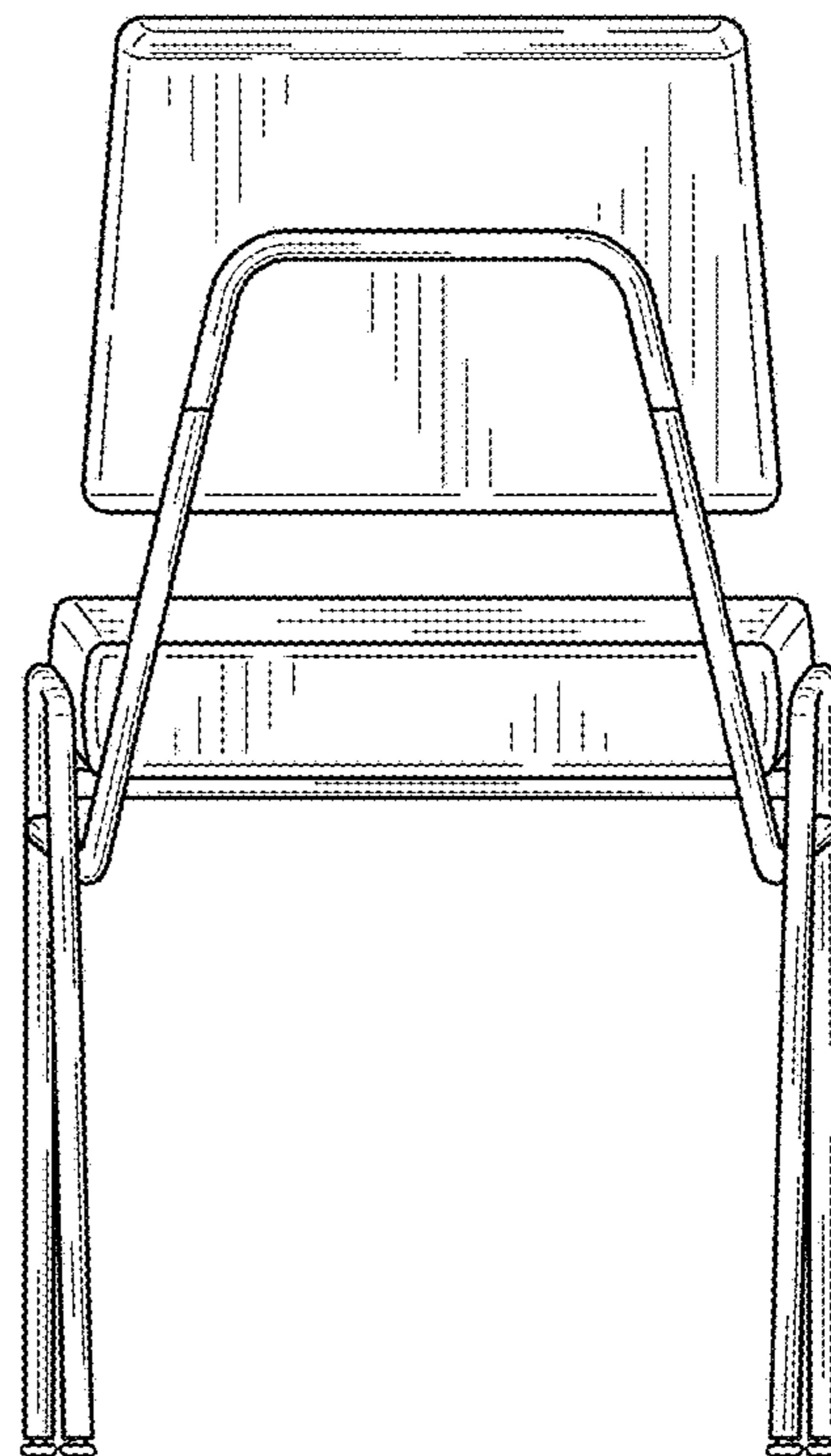


FIG. 3

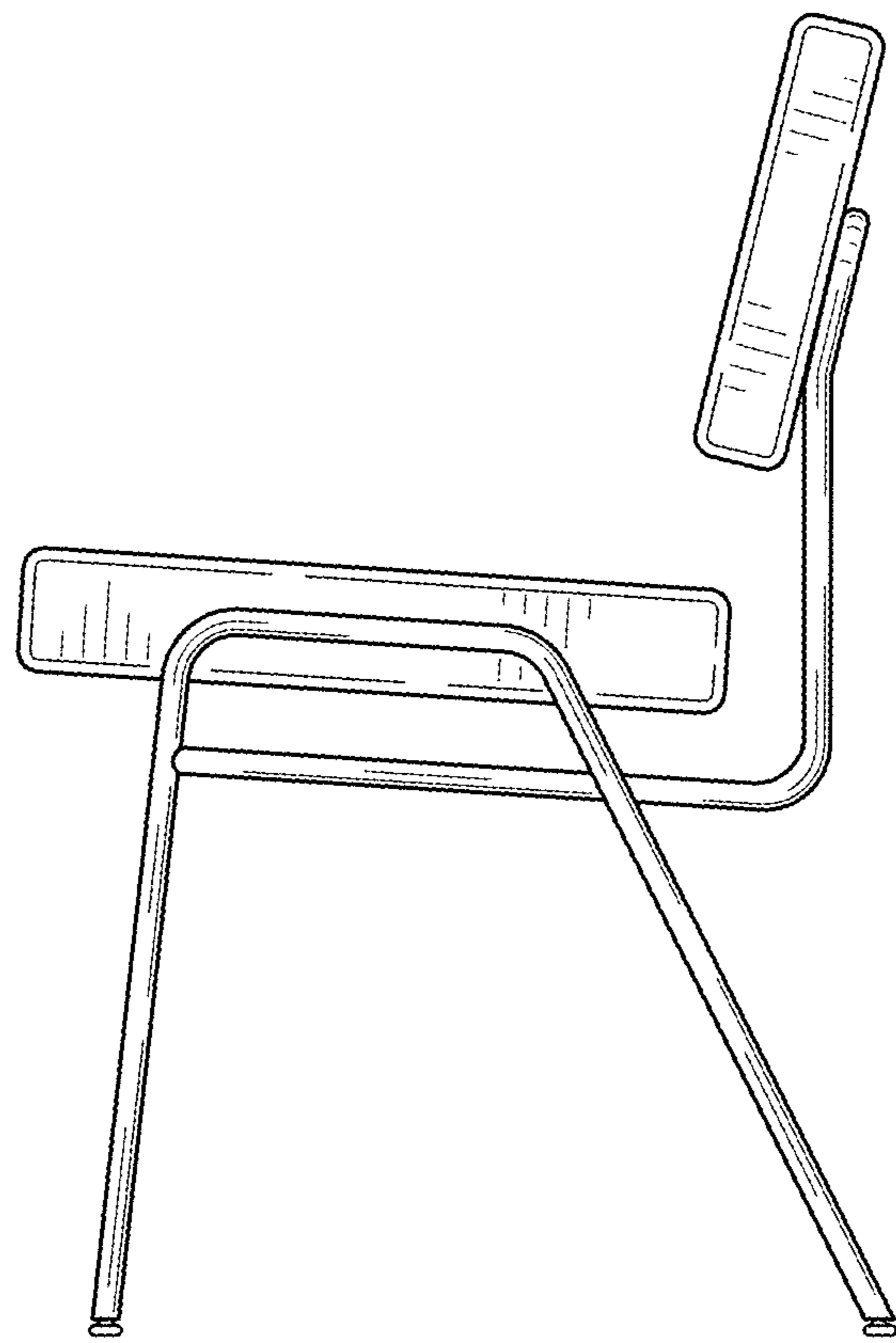


FIG. 4

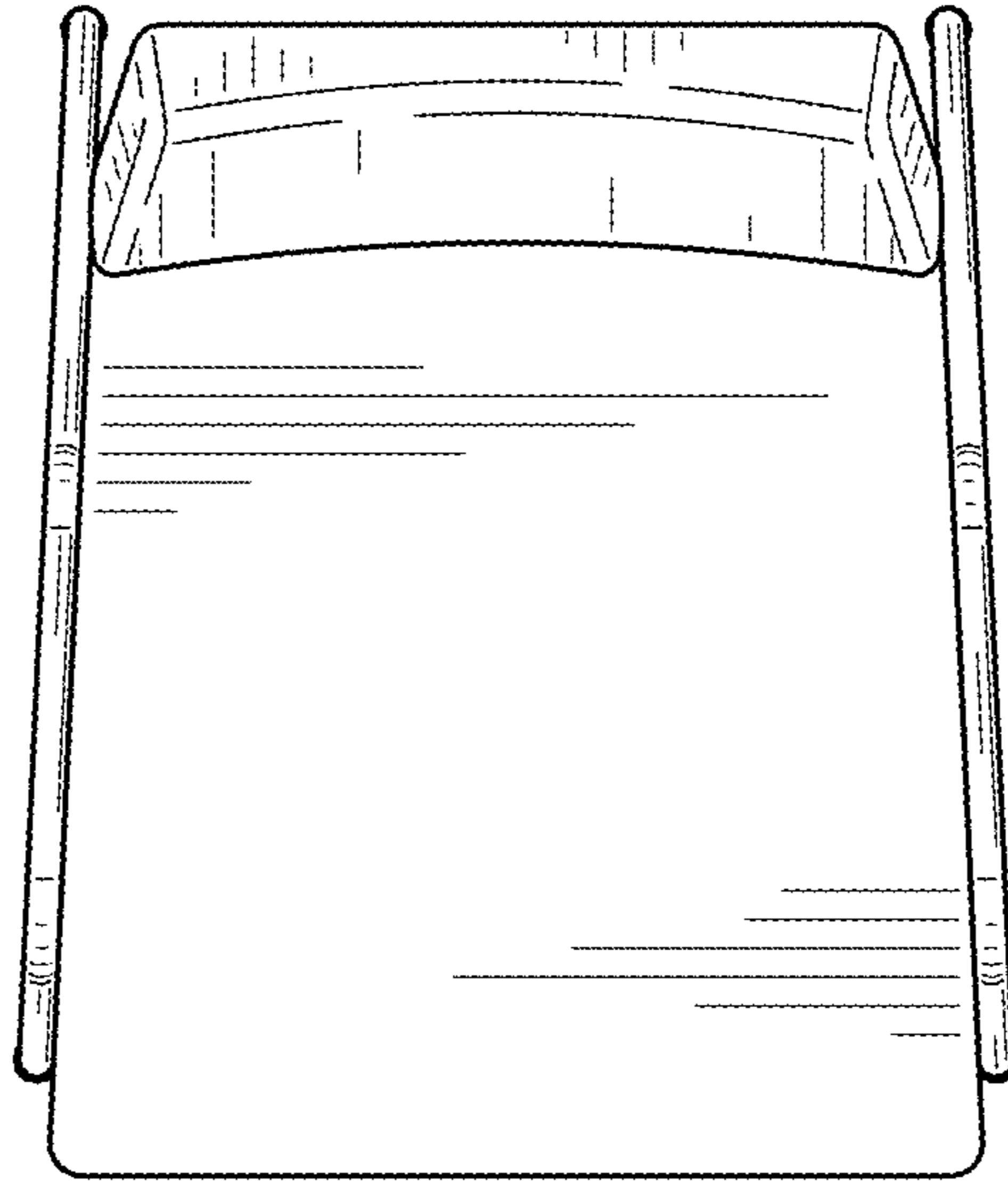


FIG. 5

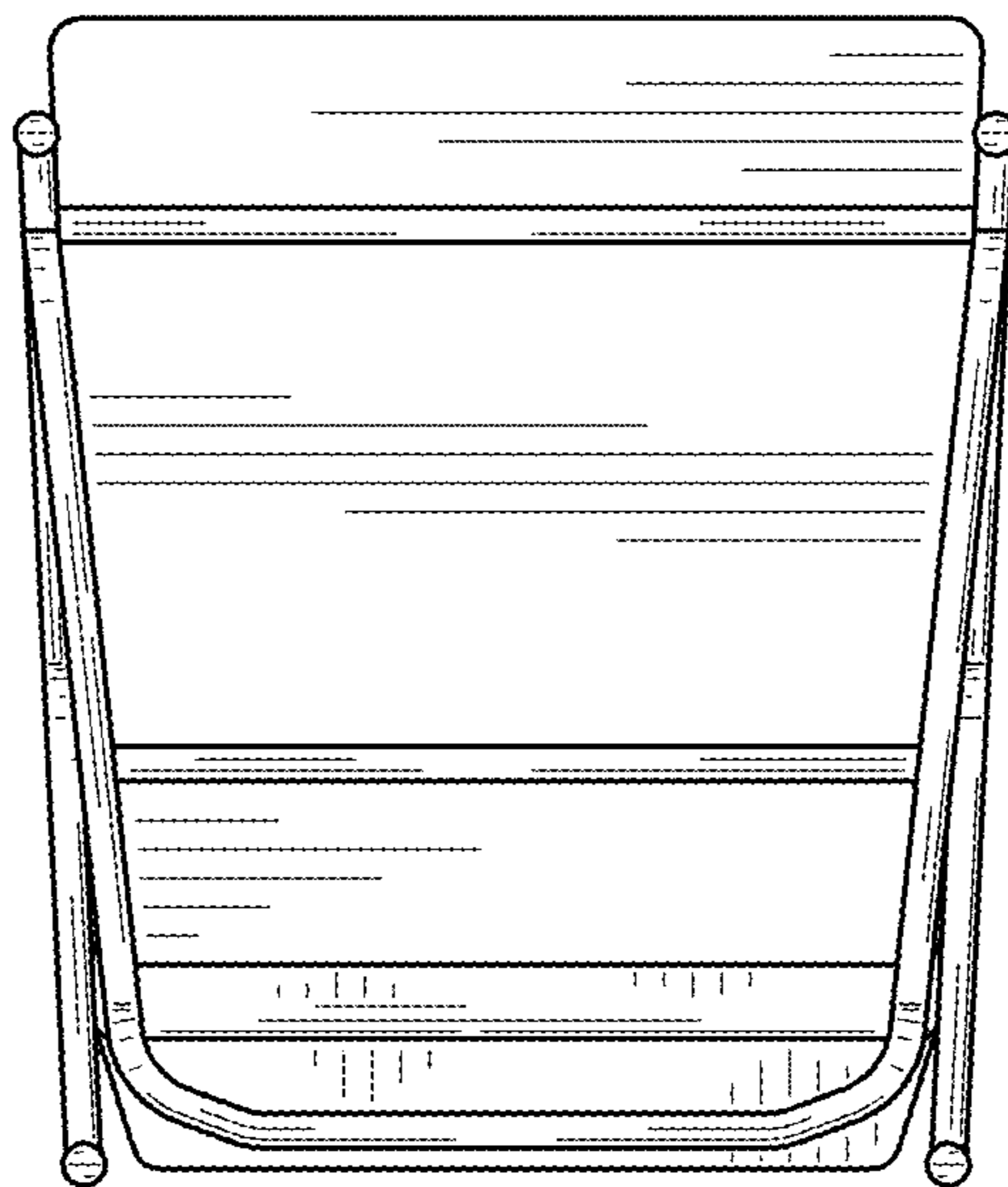


FIG. 6