



US00D821767S

(12) **United States Design Patent**  
**Meoli**

(10) **Patent No.:** **US D821,767 S**  
(45) **Date of Patent:** **\*\* \*Jul. 3, 2018**

(54) **CHAIR**  
(71) Applicant: **Rudy Meoli**, Anaheim, CA (US)  
(72) Inventor: **Rudy Meoli**, Anaheim, CA (US)  
(\* ) Notice: This patent is subject to a terminal disclaimer.  
(\*\* ) Term: **15 Years**  
(21) Appl. No.: **29/554,238**

2,493,682 A \* 1/1950 Meehan ..... A47C 4/283  
297/45  
4,065,173 A \* 12/1977 Gittings ..... A47C 4/283  
297/45  
D456,628 S \* 5/2002 Satoshi ..... D6/368  
D572,925 S \* 7/2008 Carrere ..... D6/368  
8,678,490 B2 \* 3/2014 Chen ..... A47C 4/283  
297/36  
9,254,044 B2 \* 2/2016 Dudik ..... A47C 4/283  
9,332,849 B2 \* 5/2016 Wagner ..... A47C 4/283  
D796,217 S \* 9/2017 Meoli ..... D6/336  
D796,856 S \* 9/2017 Meoli ..... D6/336  
9,775,438 B1 \* 10/2017 Schulenberg ..... A47C 4/283  
9,795,217 B2 \* 10/2017 Grace ..... A47C 4/283

(22) Filed: **Feb. 9, 2016**  
(51) **LOC (11) Cl.** ..... **06-01**  
(52) **U.S. Cl.**  
USPC ..... **D6/368**  
(58) **Field of Classification Search**  
USPC ..... D6/334-336, 368, 373, 374, 379, 380,  
D6/716, 716.1, 716.2, 716.3, 716.4  
CPC .. A47C 4/00; A47C 4/28; A47C 4/283; A47C  
4/30; A47C 4/38; A47C 4/42; A47C 4/48;  
A47C 5/06; A47C 5/10  
See application file for complete search history.

\* cited by examiner  
*Primary Examiner* — Mimosa De  
(74) *Attorney, Agent, or Firm* — QuickPatents, LLC;  
Kevin Prince

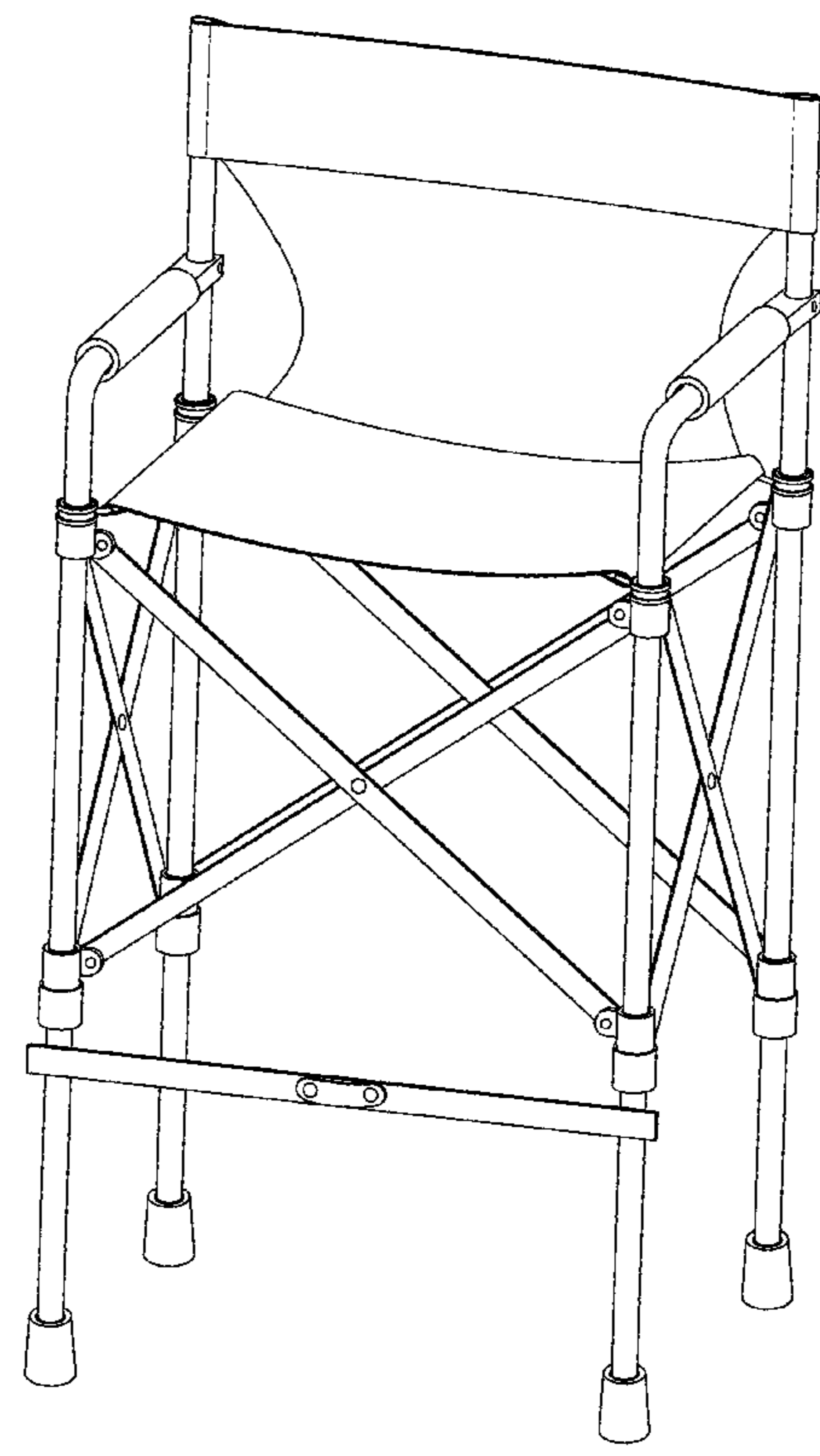
(56) **References Cited**  
U.S. PATENT DOCUMENTS  
1,799,029 A \* 3/1931 Smith ..... A47C 4/283  
297/45  
2,096,237 A \* 10/1937 Frey ..... A47C 4/283  
297/45

(57) **CLAIM**  
The ornamental design for chair, as shown and described.

**DESCRIPTION**

FIG. 1 is a perspective view of the chair in a partial collapsed position;  
FIG. 2 is a right side elevational view of the chair;  
FIG. 3 is a left side elevational view of the chair;  
FIG. 4 is a front elevational view of the chair;  
FIG. 5 is a top view of the chair;  
FIG. 6 is a bottom view of the chair; and,  
FIG. 7 is a collapsed side view of the chair.

**1 Claim, 6 Drawing Sheets**



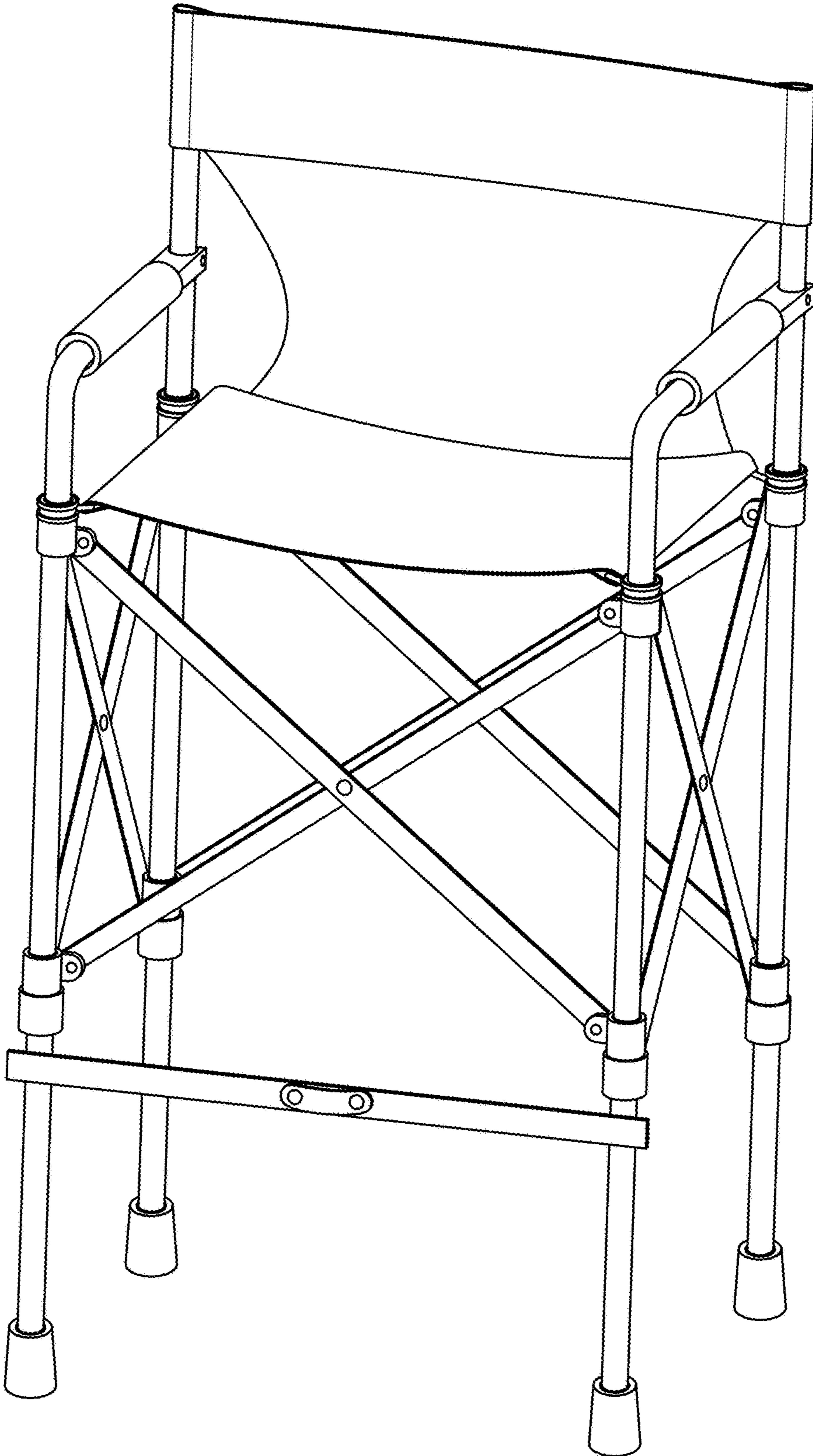


FIG. 1

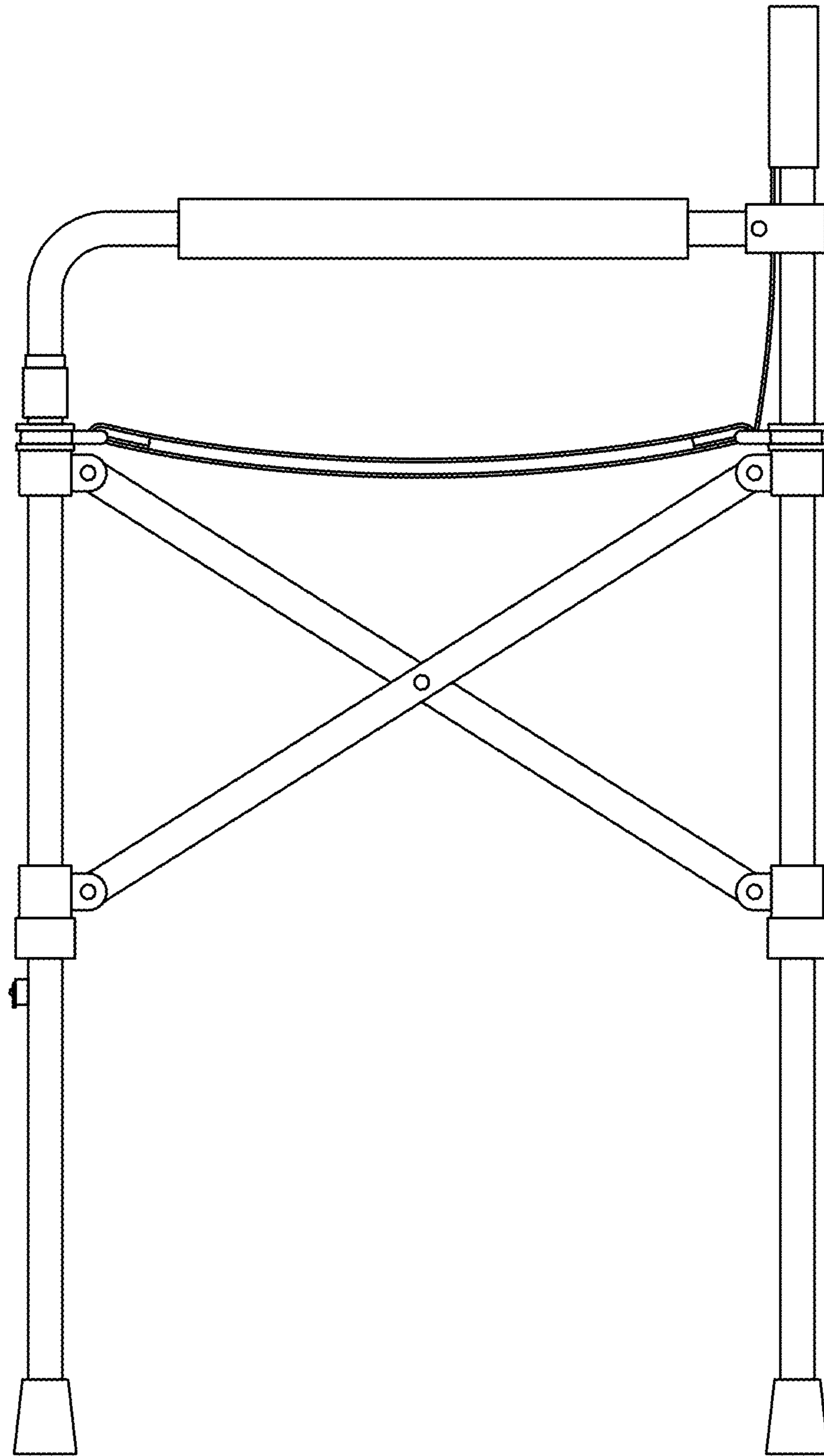


FIG. 2

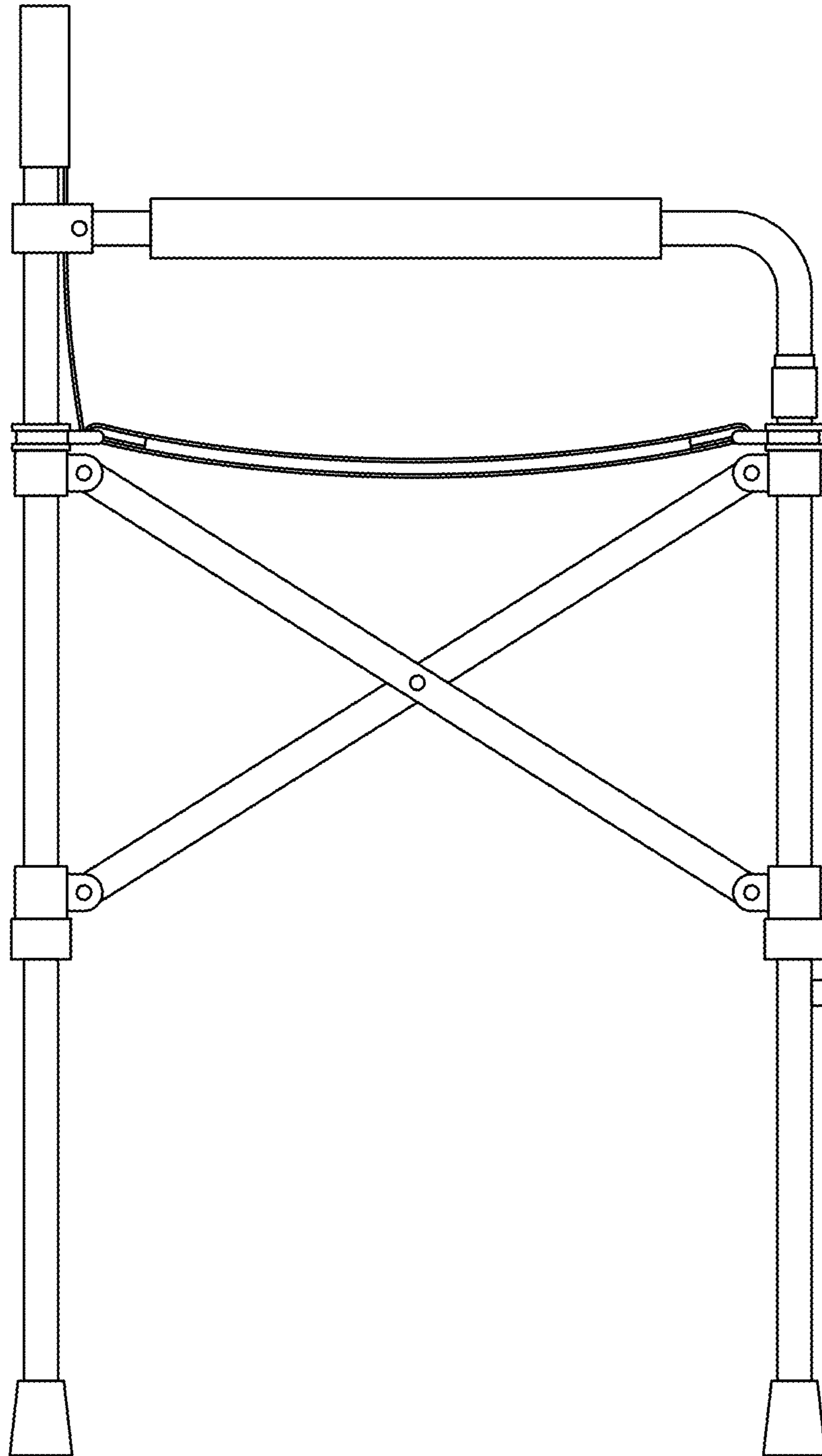


FIG. 3

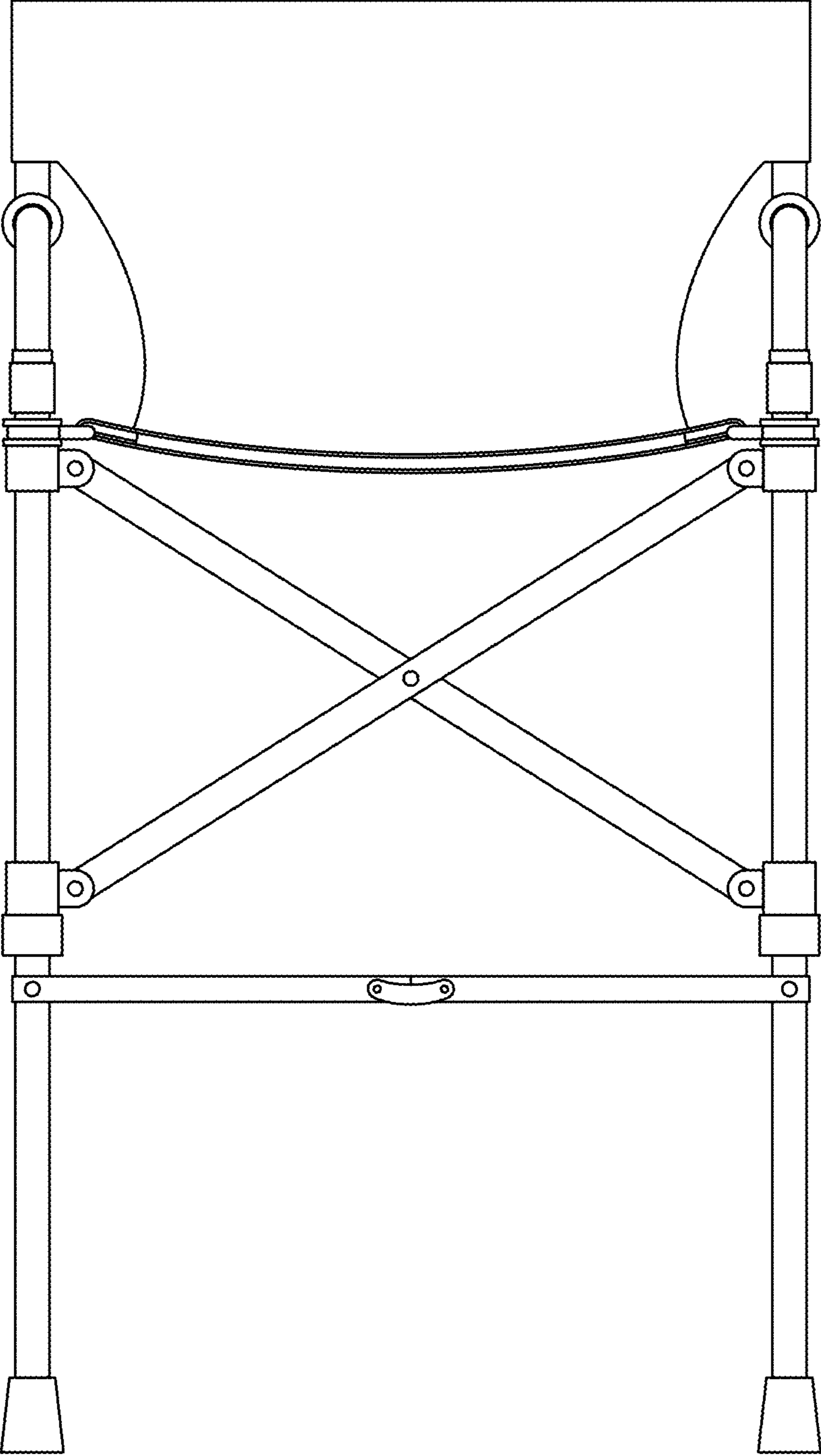


FIG. 4

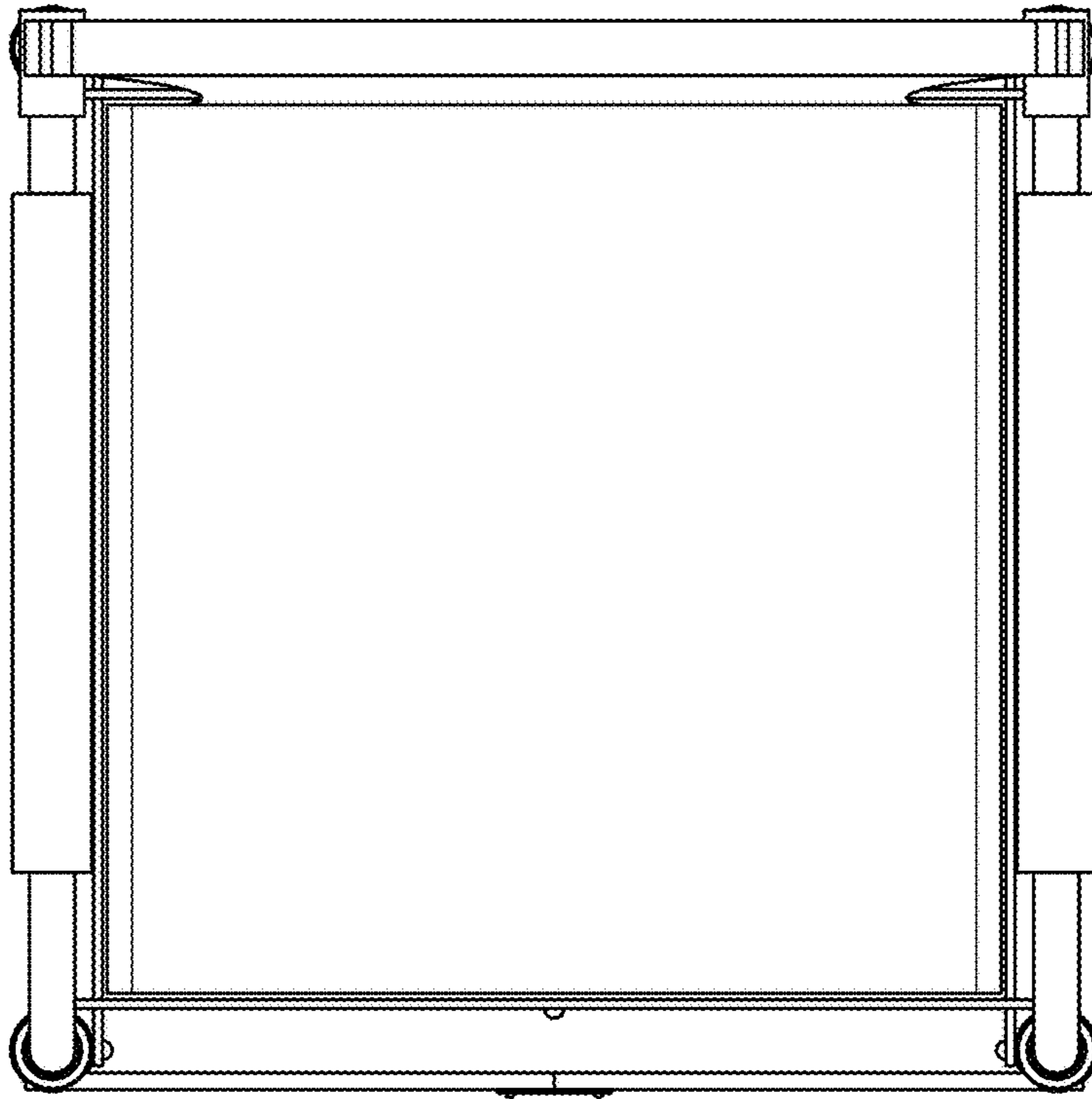


FIG. 5

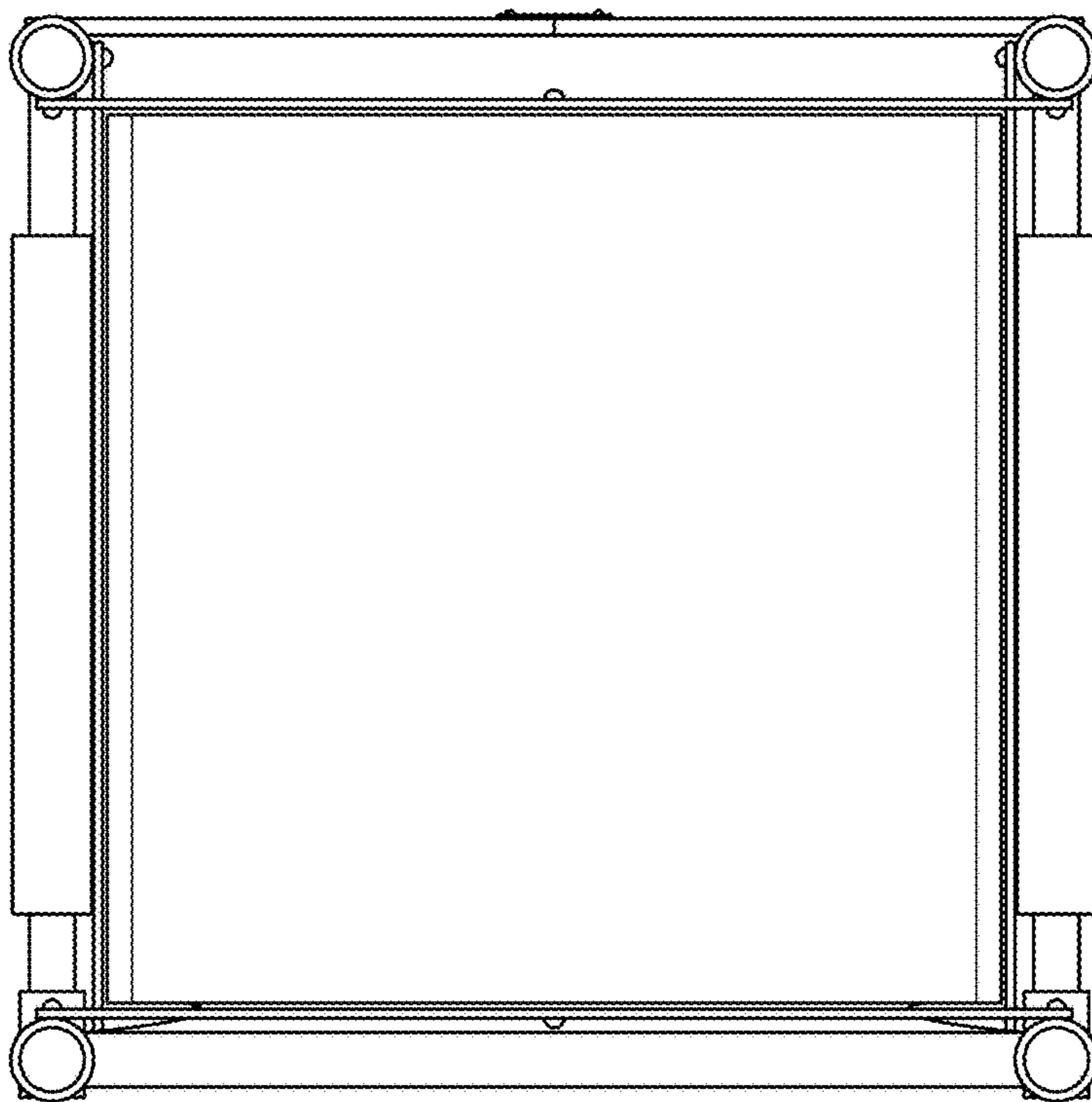


FIG. 6

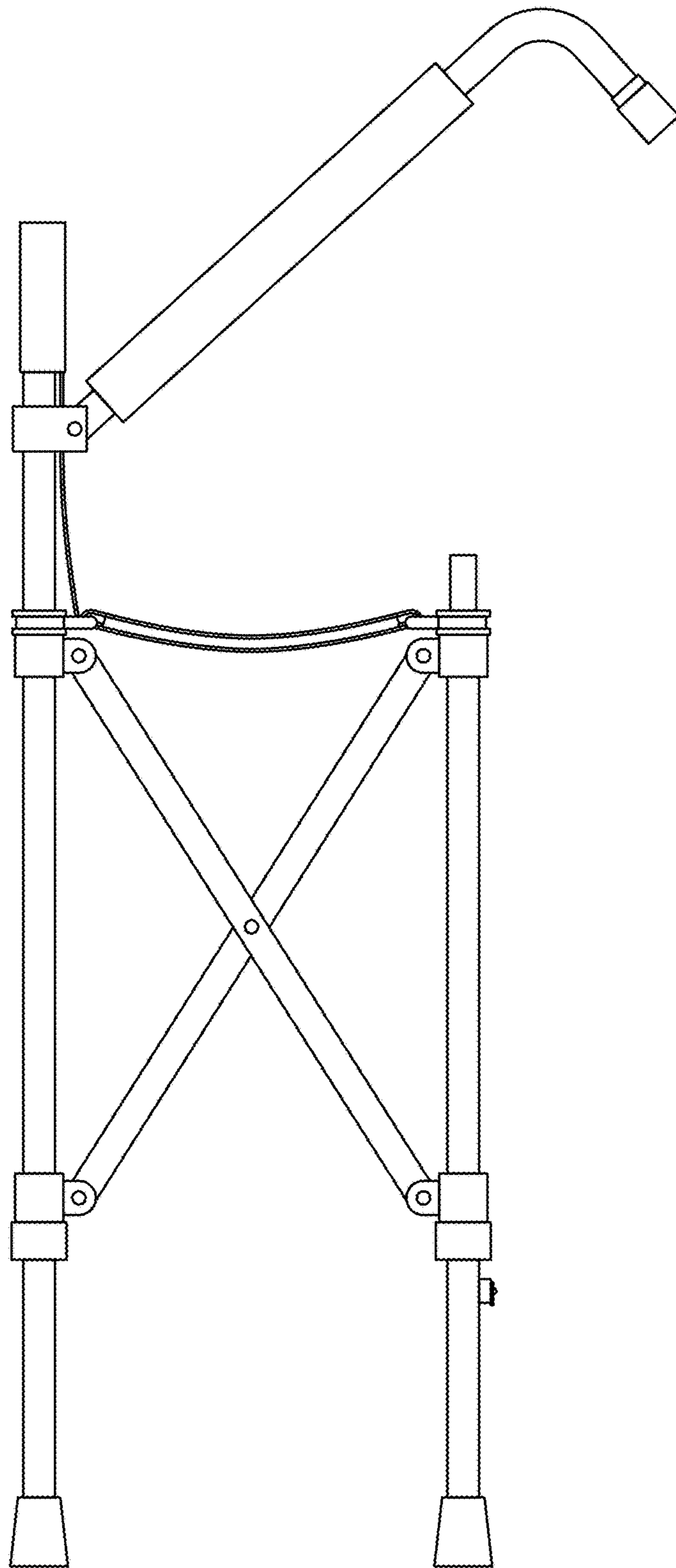


FIG. 7