



US00D821765S

(12) **United States Design Patent** (10) **Patent No.:** **US D821,765 S**
Woods (45) **Date of Patent:** **** Jul. 3, 2018**

- (54) **FURNITURE SPINE UNIT WITH BISTRO TABLE**
 - D269,057 S * 5/1983 Schatz D6/335
 - D272,968 S * 3/1984 Fairaizen D6/335
 - 5,137,332 A * 8/1992 Gualtierotti A47C 1/023
297/440.15
- (71) Applicant: **Kimball International, Inc.**, Jasper, IN (US)
 - D360,311 S 7/1995 Stamberg
 - D367,566 S * 3/1996 Walters, III D6/336
 - D430,763 S 9/2000 Scheffer
 - D457,359 S 5/2002 Chan
 - 6,447,067 B1 9/2002 Williams
 - D476,819 S 7/2003 Williams
 - 6,824,220 B1 11/2004 Davison
 - D525,802 S * 8/2006 Spear D6/381
 - D526,803 S 8/2006 Lee
 - 7,347,493 B2 3/2008 Mulmed
 - D566,980 S 4/2008 Mourgue
 - D567,526 S 8/2008 Williams
 - D589,283 S 3/2009 Stangdell
 - D624,328 S 9/2010 Grandin et al.
- (72) Inventor: **Donald Woods**, Celestine, IN (US)
- (73) Assignee: **Kimball International, Inc.**, Jasper, IN (US)
- (**) Term: **15 Years**
- (21) Appl. No.: **29/624,096**
- (22) Filed: **Oct. 30, 2017**

(Continued)

Related U.S. Application Data

- (62) Division of application No. 29/588,179, filed on Dec. 19, 2016, now Pat. No. Des. 811,759.
- (51) **LOC (11) Cl.** **06-01**
- (52) **U.S. Cl.**
USPC **D6/342**
- (58) **Field of Classification Search**
USPC D6/329, 332, 334, 335, 336, 338, 342, D6/374, 643, 641, 642, 686, 691.4, 702, D6/713, 714, 716, 716.1, 716.4, 698
CPC A47B 83/02; A47B 83/00; A47B 83/001; A47B 83/003; A47B 83/005; A47B 87/00; A47C 13/00; A47C 13/005; A47C 7/62; A47C 7/70; A47C 7/36; A47C 7/38; A47C 7/40
See application file for complete search history.

FOREIGN PATENT DOCUMENTS

CN	202636171	1/2013
GB	2497773	6/2013
KR	20140120438	10/2014

Primary Examiner — Deanna L Pratt
(74) *Attorney, Agent, or Firm* — Faegre Baker Daniels LLP

(57) **CLAIM**

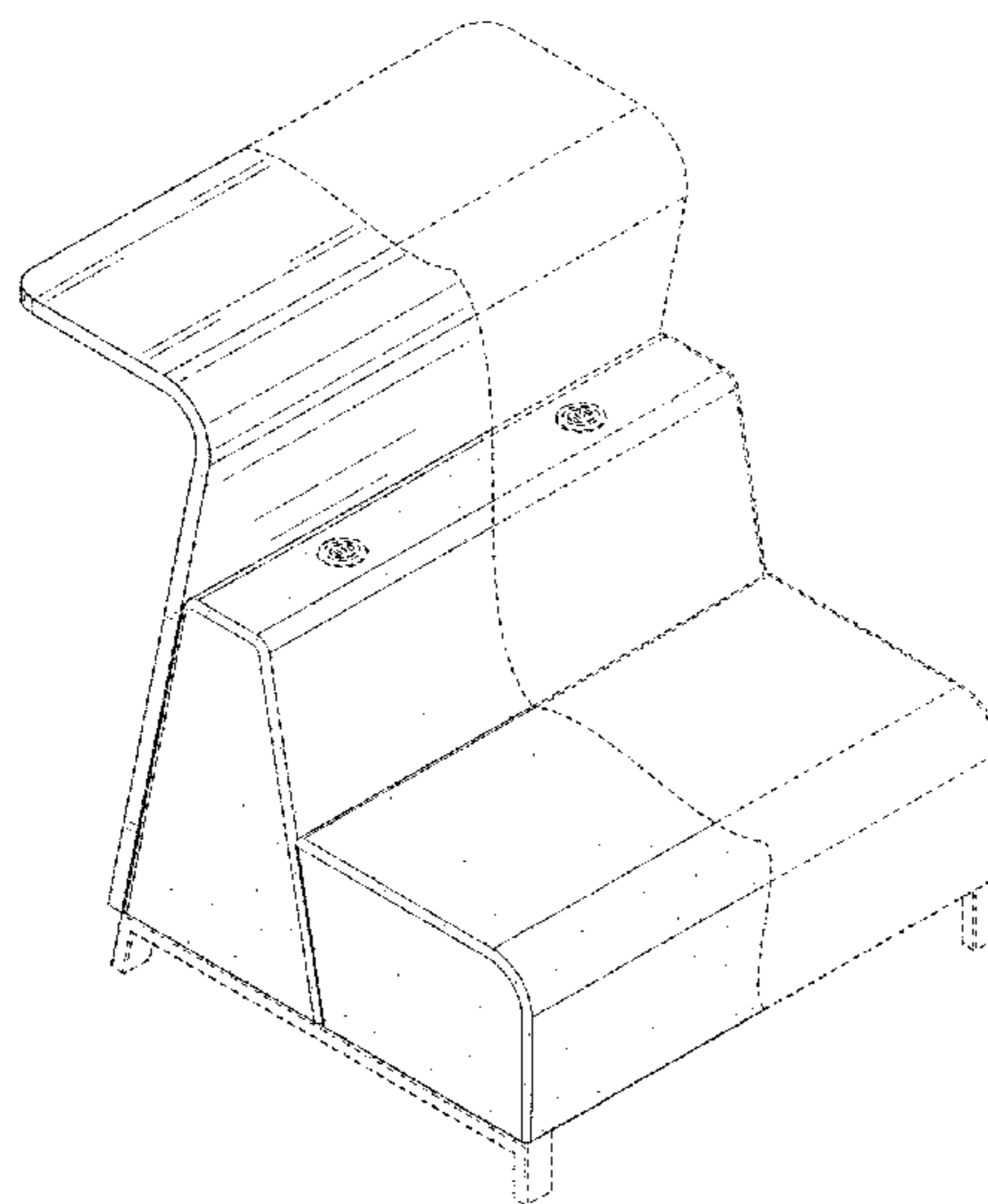
The ornamental design for a furniture spine unit with bistro table, as shown and described.

DESCRIPTION

FIG. 1 is front perspective view of a furniture spine unit with bistro table in accordance with my new design;
FIG. 2 is a front view thereof;
FIG. 3 is a rear view thereof;
FIG. 4 is a side view thereof; and,
FIG. 5 is a top view thereof.
Features shown in broken lines form no part of the claimed design.

1 Claim, 5 Drawing Sheets

- (56) **References Cited**
U.S. PATENT DOCUMENTS
D92,703 S 7/1934 Crego
D225,818 S 1/1973 Torrey
D264,027 S 4/1982 Aronowitz
4,374,354 A 2/1983 Petrovic et al.



(56)

References Cited

U.S. PATENT DOCUMENTS

D639,083 S 6/2011 Martin
 D644,456 S 9/2011 Martin
 8,061,864 B2 11/2011 Metcalf et al.
 8,075,054 B2 12/2011 Smith
 D657,155 S 4/2012 Grandin et al.
 D661,112 S 6/2012 Grandin
 8,283,812 B2 10/2012 Azancot et al.
 D675,453 S 2/2013 Blet et al.
 D675,459 S 2/2013 Martin
 D677,477 S 3/2013 Agati
 D680,762 S 4/2013 Nagata
 8,421,407 B2 4/2013 Johnson
 D688,475 S 8/2013 Blet et al.
 D690,118 S 9/2013 Grandin
 8,528,972 B2 9/2013 Johnson
 8,536,737 B2 9/2013 Azancot et al.
 8,624,750 B2 1/2014 Azancot et al.
 8,625,255 B2 1/2014 Linnane et al.
 D699,456 S 2/2014 Bosman
 D699,457 S 2/2014 Bosman
 D699,461 S 2/2014 Bosman
 8,721,000 B2 5/2014 Nguyen

D714,567 S * 10/2014 Podsiadlo D6/381
 8,857,348 B2 10/2014 Gevaert et al.
 D722,445 S * 2/2015 Baraldi D6/336
 D731,216 S 6/2015 Sorel
 D737,589 S * 9/2015 Lenhart D6/373
 D739,156 S 9/2015 Webb
 D740,039 S 10/2015 Bouroullec
 D743,181 S 11/2015 Cardona
 D743,712 S 11/2015 Behar et al.
 D761,029 S 7/2016 Behar
 D761,048 S 7/2016 Behar
 D774,339 S 12/2016 Parshad
 D787,206 S 5/2017 Webb
 D789,103 S * 6/2017 Webb D6/336
 D794,344 S 8/2017 MacAllen
 2004/0026998 A1 2/2004 Henriott et al.
 2012/0119629 A1 5/2012 Nelson et al.
 2014/0054961 A1 2/2014 Metcalf et al.
 2014/0091638 A1 4/2014 Azancot et al.
 2014/0118892 A1 5/2014 Makwinski et al.
 2014/0312661 A1 * 10/2014 Behar A47C 7/40
 297/135
 2015/0091389 A1 4/2015 Byrne et al.
 2015/0091522 A1 4/2015 Byrne et al.

* cited by examiner

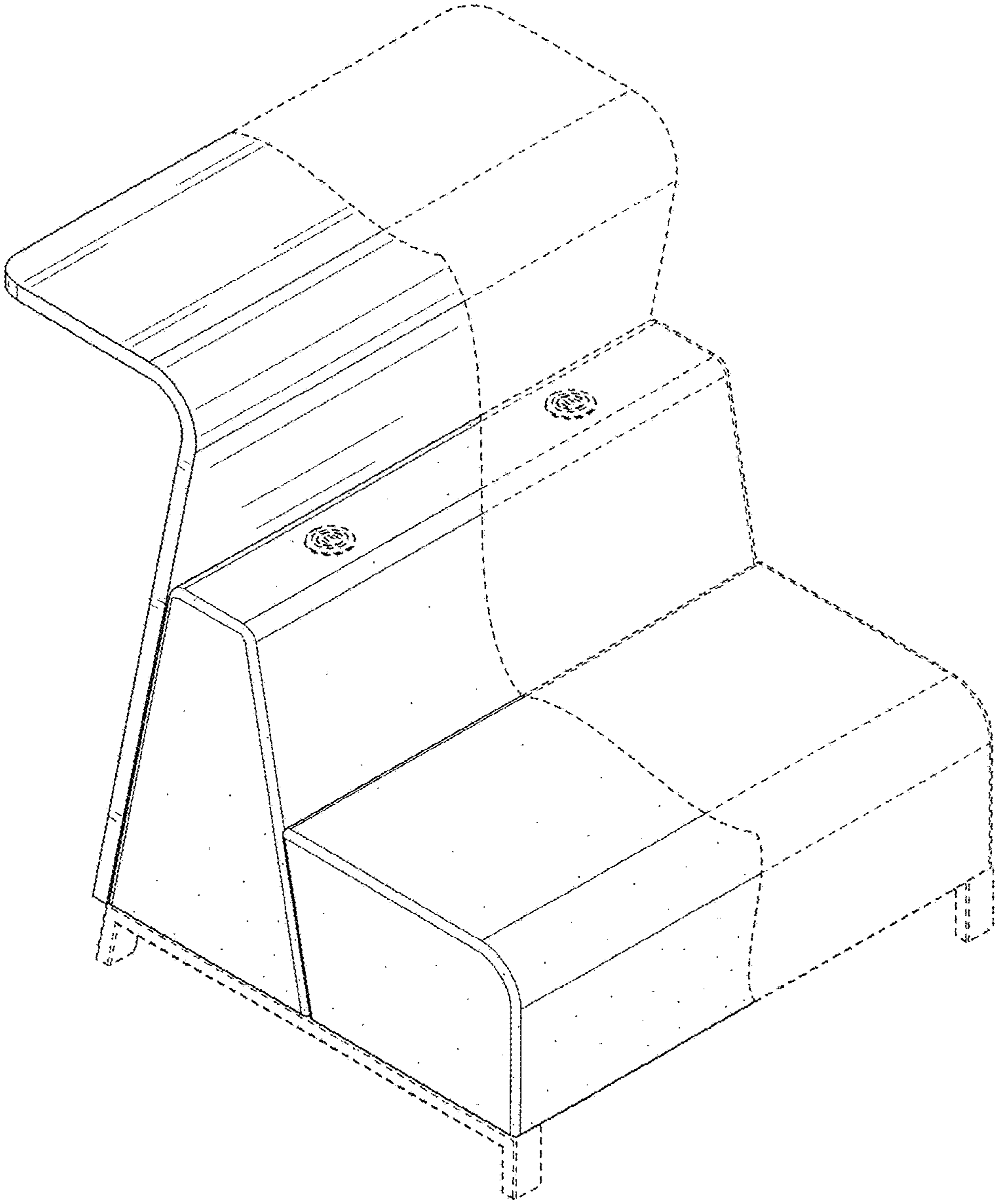


FIG. 1

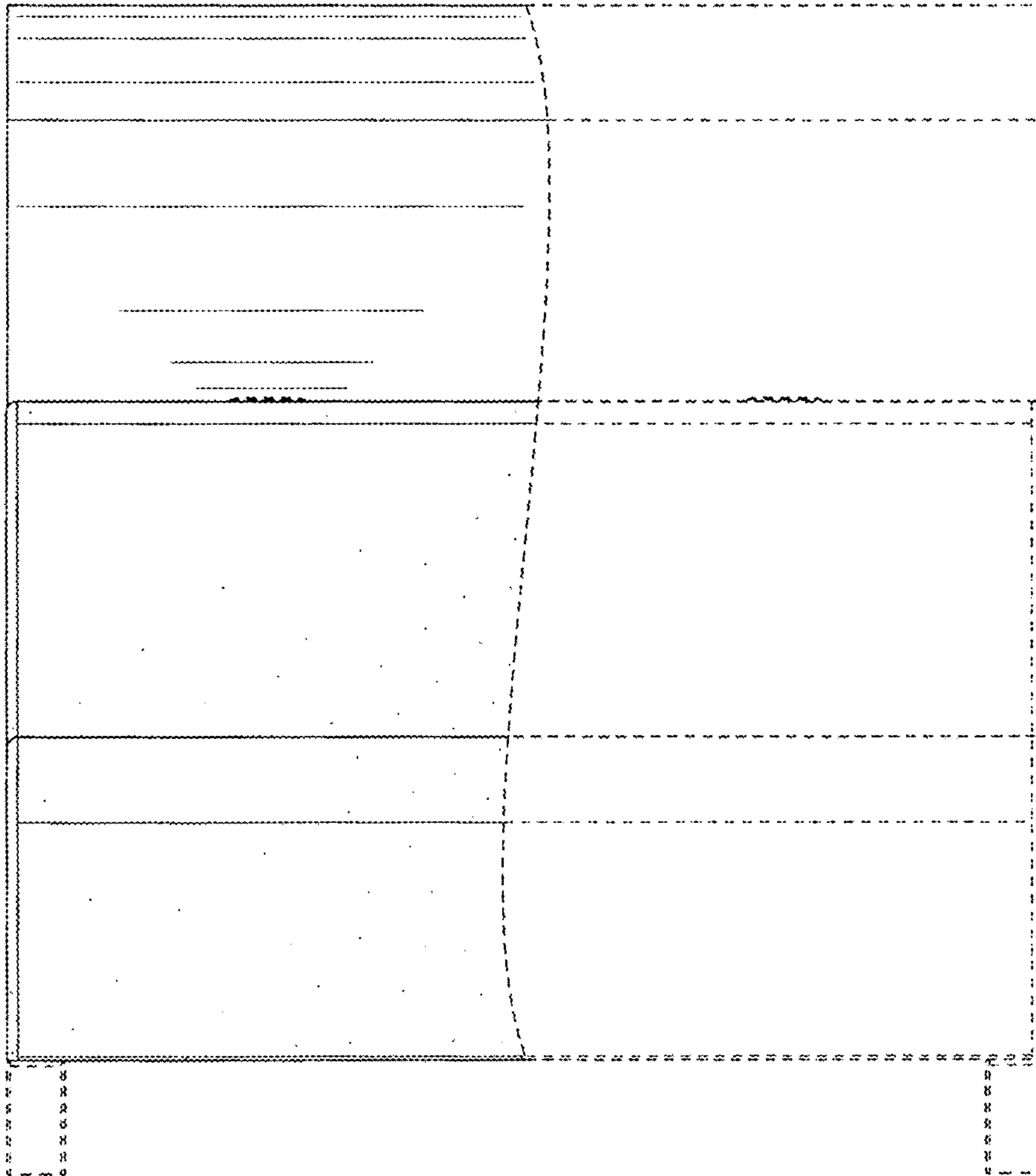


FIG. 2

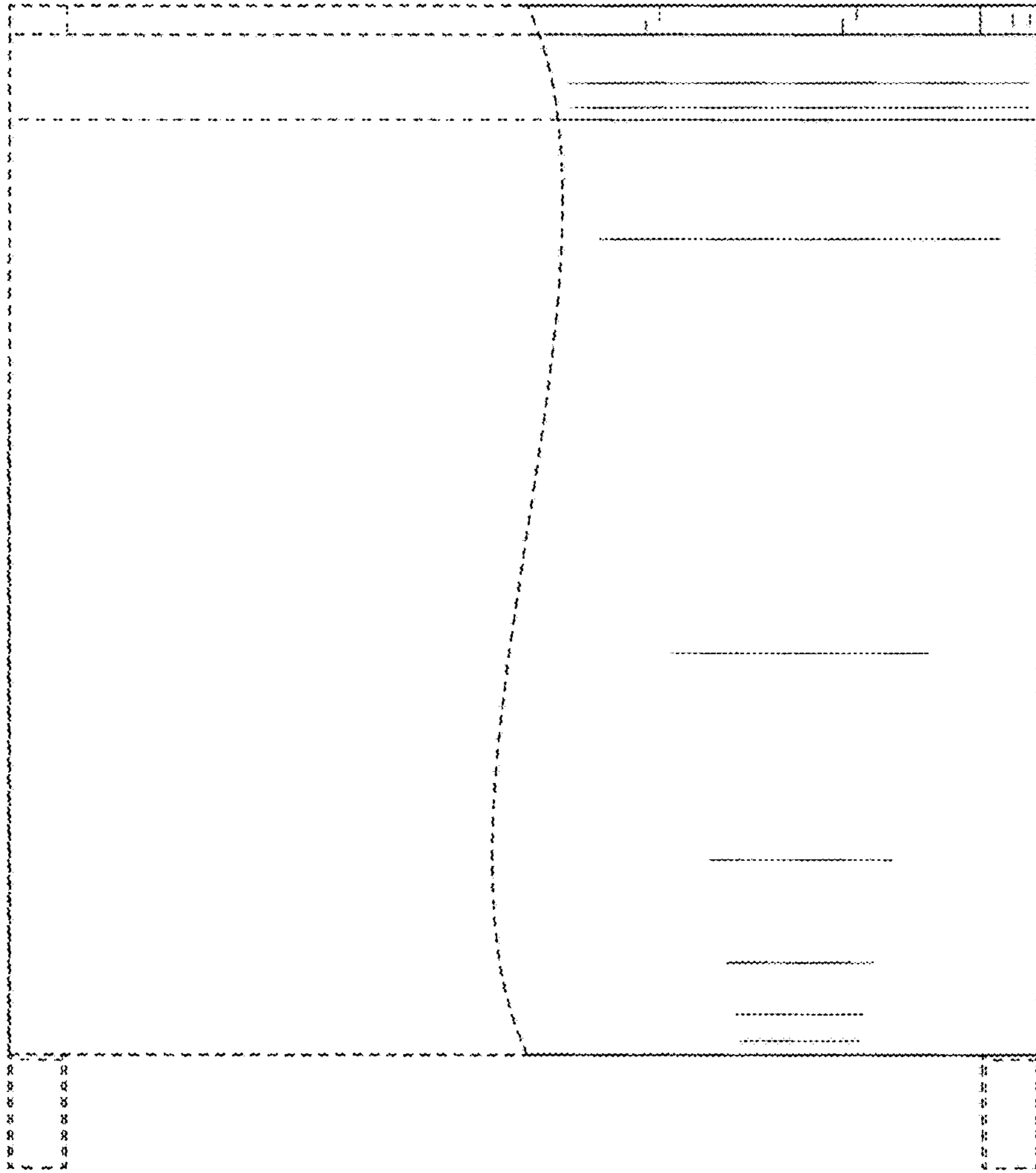


FIG. 3

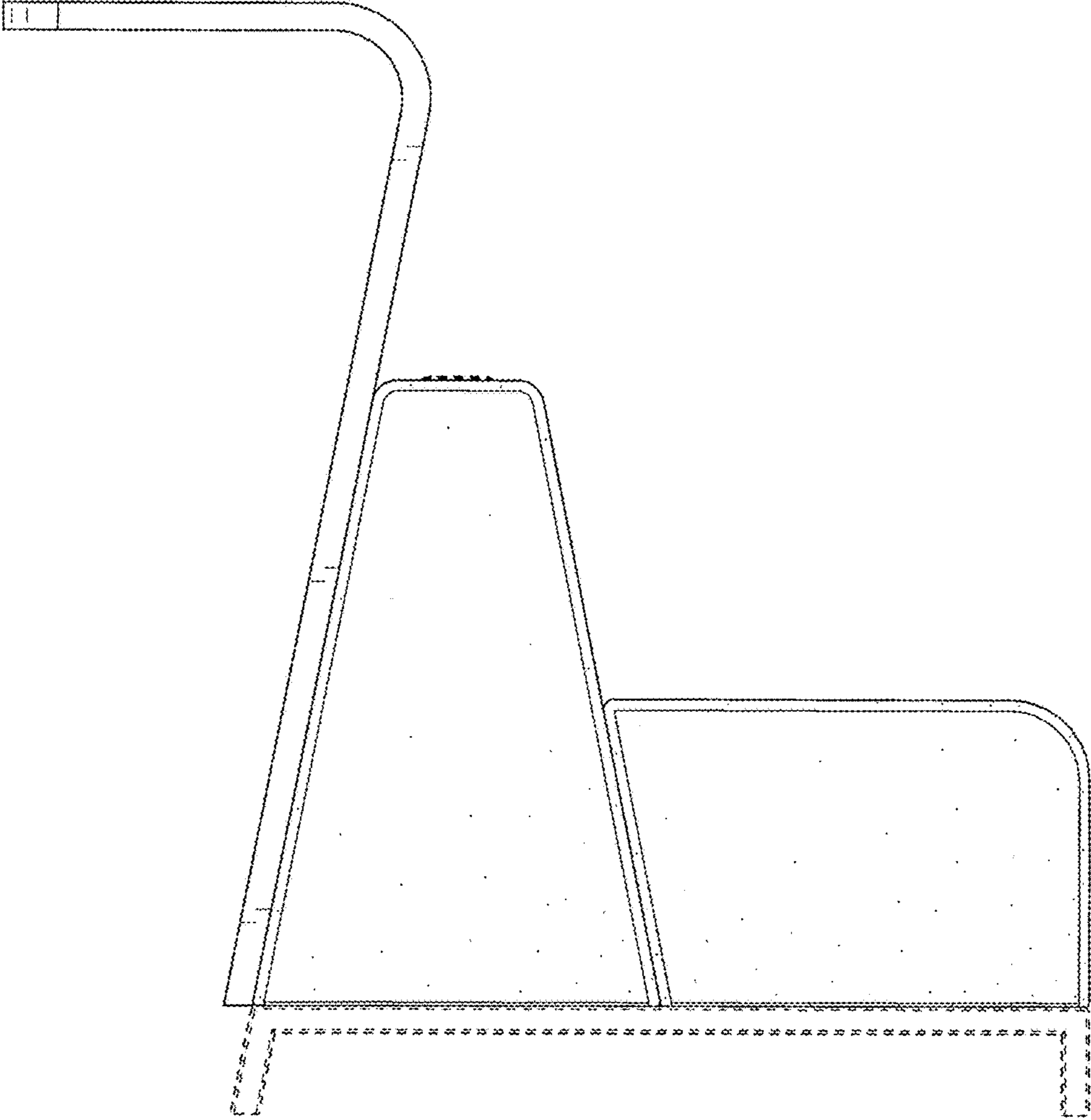


FIG. 4

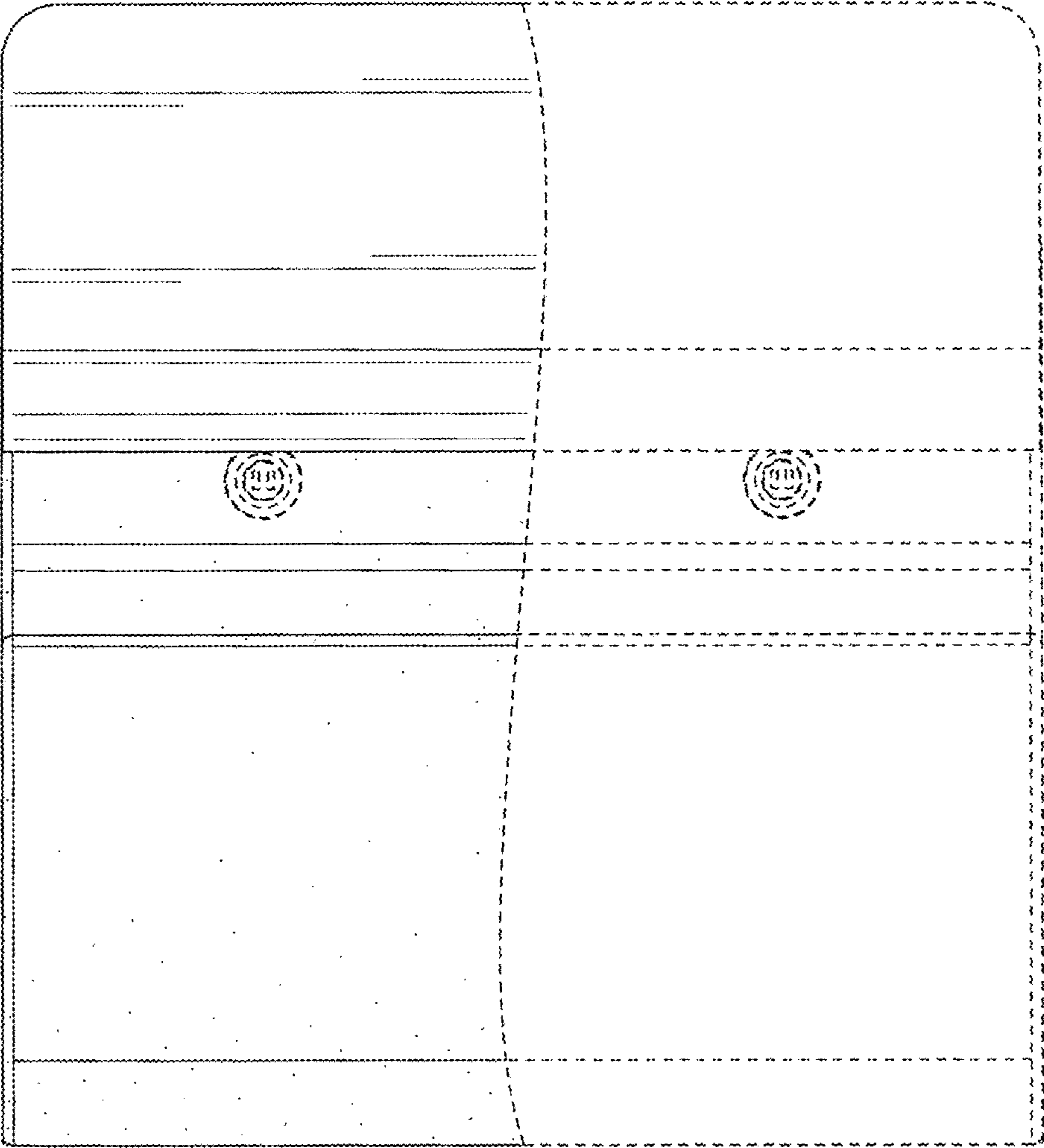


FIG. 5