



US00D821764S

(12) **United States Design Patent**
Woods

(10) **Patent No.:** **US D821,764 S**
(45) **Date of Patent:** **** Jul. 3, 2018**

(54) **FURNITURE SPINE UNIT WITH WORK SURFACE**

D272,968 S * 3/1984 Fairaizen D6/335
D300,996 S 5/1989 Colby
5,137,332 A * 8/1992 Gualtierotti A47C 1/023
297/440.15

(71) Applicant: **Kimball International, Inc.**, Jasper, IN (US)

D360,311 S 7/1995 Stamberg
D367,566 S * 3/1996 Walters, III D6/336

(72) Inventor: **Donald Woods**, Celestine, IN (US)

D427,814 S 7/2000 Black
D430,763 S 9/2000 Scheffer

(73) Assignee: **Kimball International, Inc.**, Jasper, IN (US)

D457,359 S 5/2002 Chan
6,447,067 B1 9/2002 Williams
D476,819 S 7/2003 Williams

(**) Term: **15 Years**

6,824,220 B1 11/2004 Davison
D525,802 S * 8/2006 Spear D6/381
D526,803 S 8/2006 Lee

(21) Appl. No.: **29/624,077**

7,347,493 B2 3/2008 Mulmed
D566,980 S 4/2008 Mourgue
D567,526 S 4/2008 Williams

(22) Filed: **Oct. 30, 2017**

D589,283 S 3/2009 Stangdell

(Continued)

Related U.S. Application Data

FOREIGN PATENT DOCUMENTS

(62) Division of application No. 29/588,181, filed on Dec. 19, 2016, now Pat. No. Des. 811,760.

CN 202636171 1/2013
GB 2497773 6/2013
KR 20140120438 10/2014

(51) **LOC (11) Cl.** **06-01**

(52) **U.S. Cl.**
USPC **D6/342**

Primary Examiner — Deanna L Pratt

(74) *Attorney, Agent, or Firm* — Faegre Baker Daniels LLP

(58) **Field of Classification Search**
USPC D6/329, 332, 334, 335, 336, 338, 342, D6/374, 643, 641, 642, 686, 691.4, 702, D6/713, 714, 716, 716.1, 716.4, 698
CPC A47B 83/02; A47B 83/00; A47B 83/001; A47B 83/003; A47B 83/005; A47B 87/00; A47C 13/00; A47C 13/005; A47C 7/62; A47C 7/70; A47C 7/36; A47C 7/38; A47C 7/40
See application file for complete search history.

(57) **CLAIM**

The ornamental design for a furniture spine unit with work surface, as shown and described.

DESCRIPTION

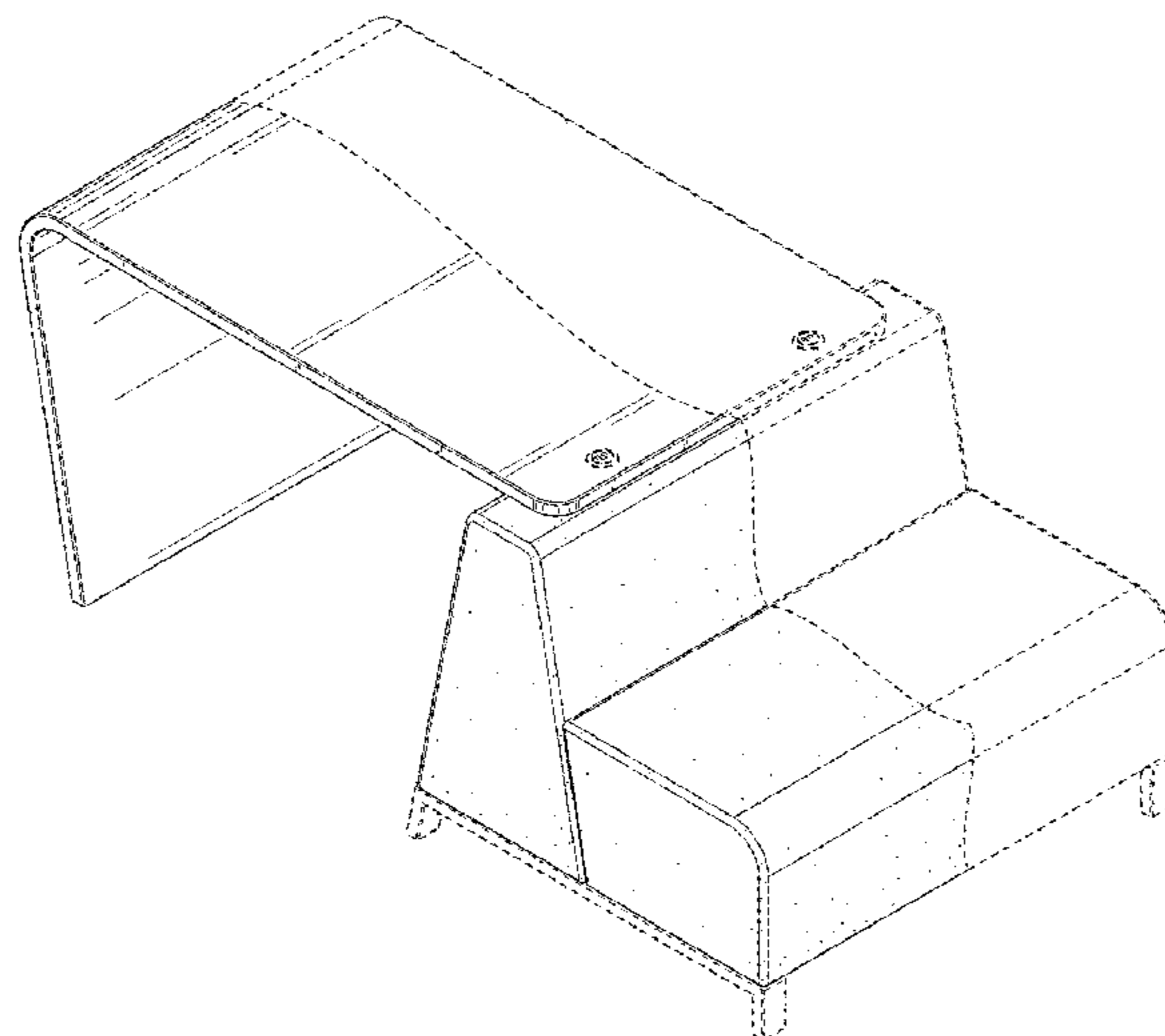
FIG. 1 is front perspective view of a furniture spine unit with work surface in accordance with my new design;
FIG. 2 is a front view thereof;
FIG. 3 is a rear view thereof;
FIG. 4 is a side view thereof; and,
FIG. 5 is a top view thereof.
Features shown in broken lines form no part of the claimed design.

(56) **References Cited**

U.S. PATENT DOCUMENTS

D92,703 S 7/1934 Crego
D225,818 S 1/1973 Torrey
4,374,354 A 2/1983 Petrovic et al.
D269,057 S * 5/1983 Schatz D6/335

1 Claim, 5 Drawing Sheets



(56)

References Cited

U.S. PATENT DOCUMENTS

D624,328 S	9/2010	Grandin et al.	D699,461 S	2/2014	Bosman	
D639,083 S	6/2011	Martin	8,721,000 B2	5/2014	Nguyen	
D644,456 S	9/2011	Martin	D714,567 S *	10/2014	Podsiadlo	D6/381
8,061,864 B2	11/2011	Metcalf et al.	8,857,348 B2	10/2014	Gevaert et al.	
8,075,054 B2	12/2011	Smith	D722,445 S *	2/2015	Baraldi	D6/336
D657,155 S	4/2012	Grandin et al.	D723,814 S	3/2015	Hagstrom	
D661,112 S	6/2012	Grandin	D731,216 S	6/2015	Sorel	
8,283,812 B2	10/2012	Azancot et al.	D737,589 S *	9/2015	Lenhart	D6/373
D675,453 S	2/2013	Blet et al.	D739,156 S	9/2015	Webb	
D675,459 S	2/2013	Martin	D743,181 S	11/2015	Cardona	
D677,477 S	3/2013	Agati	D743,712 S	11/2015	Behar et al.	
8,421,407 B2	4/2013	Johnson	D743,716 S	11/2015	Dillon	
D687,640 S	8/2013	Pedersen	D761,029 S	7/2016	Behar	
D688,475 S	8/2013	Blet et al.	D774,339 S	12/2016	Parshad	
D690,118 S	9/2013	Grandin	D789,103 S *	6/2017	Webb	D6/336
8,528,972 B2	9/2013	Johnson	2004/0026998 A1	2/2004	Henriott et al.	
8,536,737 B2	9/2013	Azancot et al.	2012/0119629 A1	5/2012	Nelson et al.	
8,624,750 B2	1/2014	Azancot et al.	2014/0054961 A1	2/2014	Metcalf et al.	
8,625,255 B2	1/2014	Linnane et al.	2014/0091638 A1	4/2014	Azancot et al.	
D699,456 S	2/2014	Bosman	2014/0118892 A1	5/2014	Makwinski et al.	
D699,457 S	2/2014	Bosman	2014/0312661 A1 *	10/2014	Behar	A47C 7/40 297/135
			2015/0091389 A1	4/2015	Byrne et al.	
			2015/0091522 A1	4/2015	Byrne et al.	

* cited by examiner

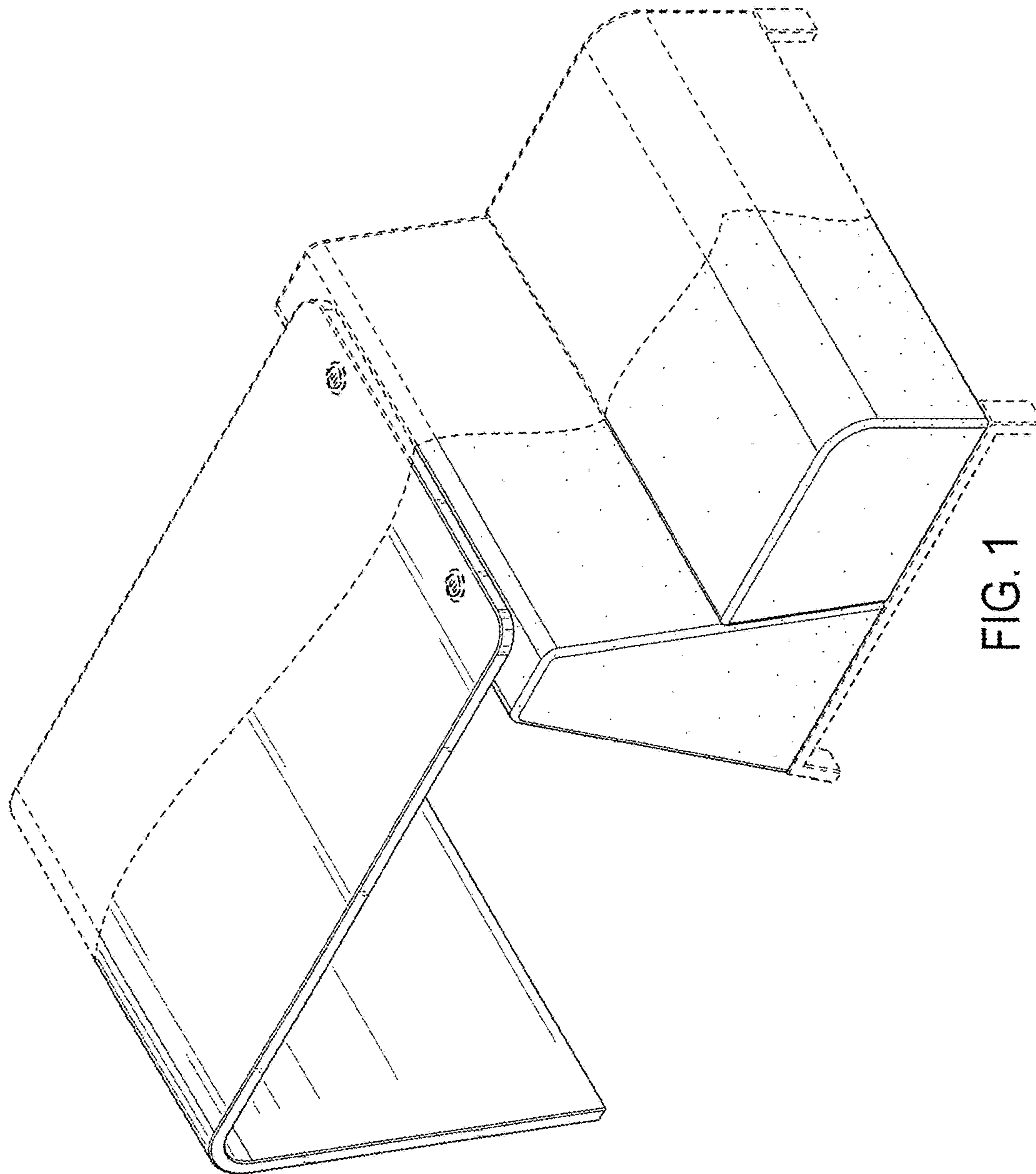


FIG. 1

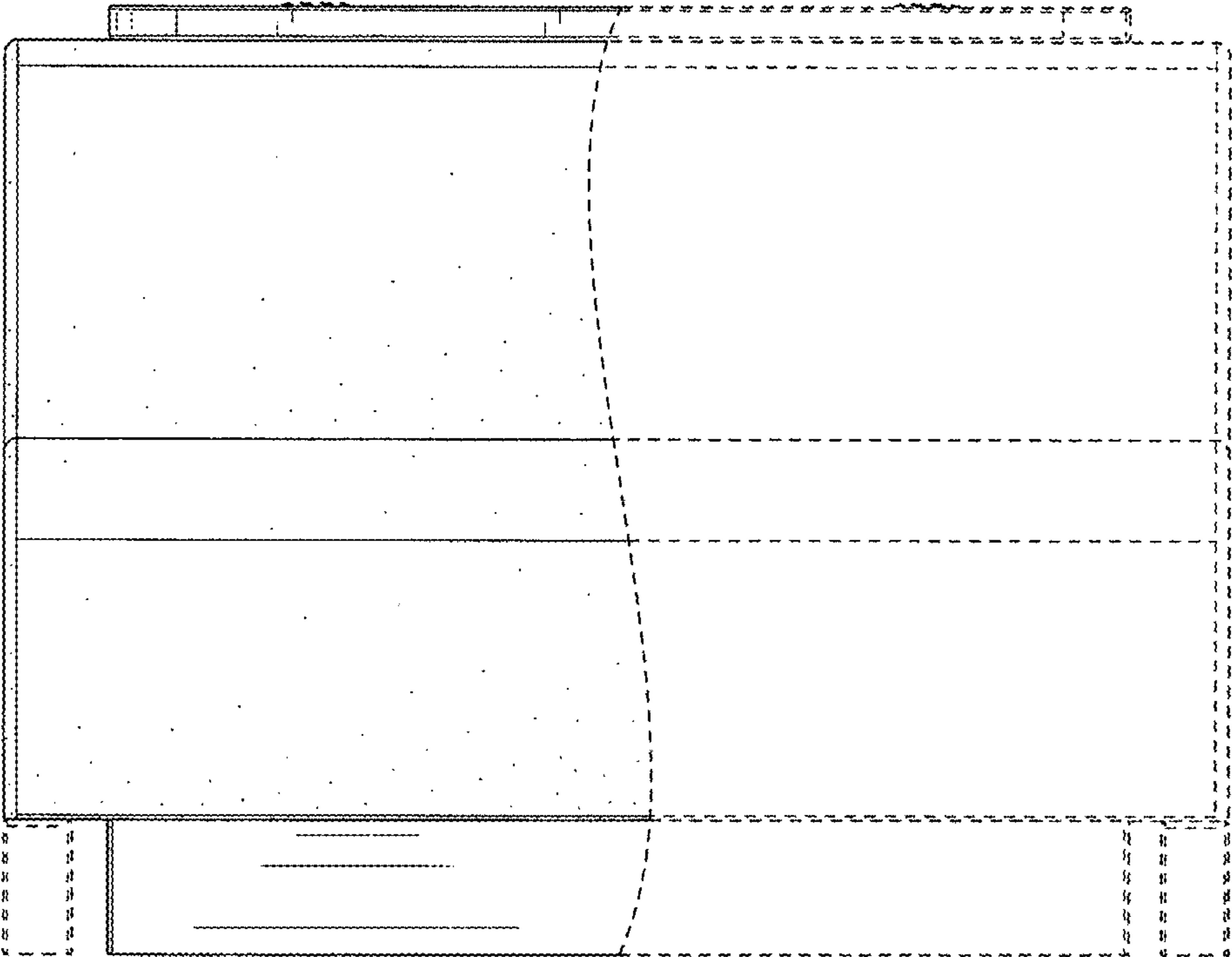


FIG. 2

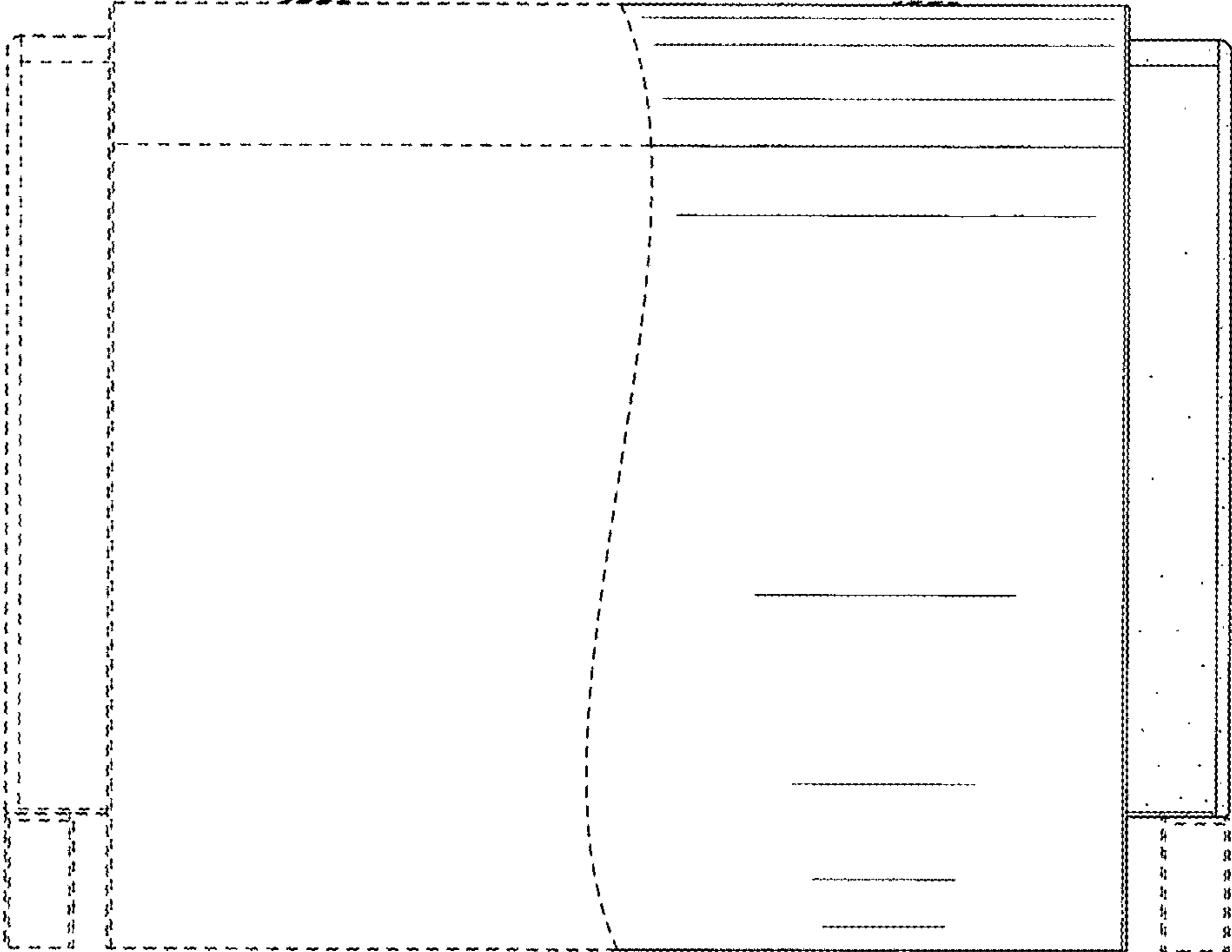


FIG. 3

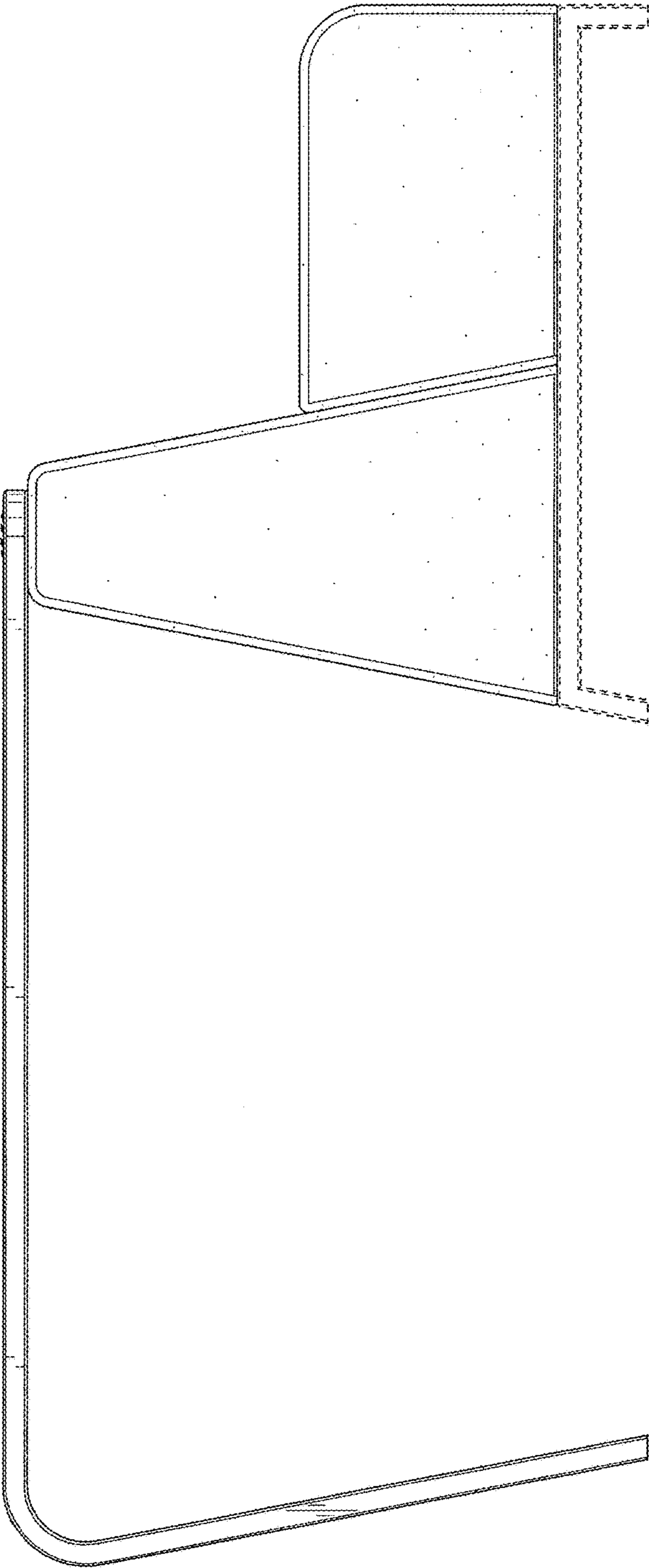


FIG. 4

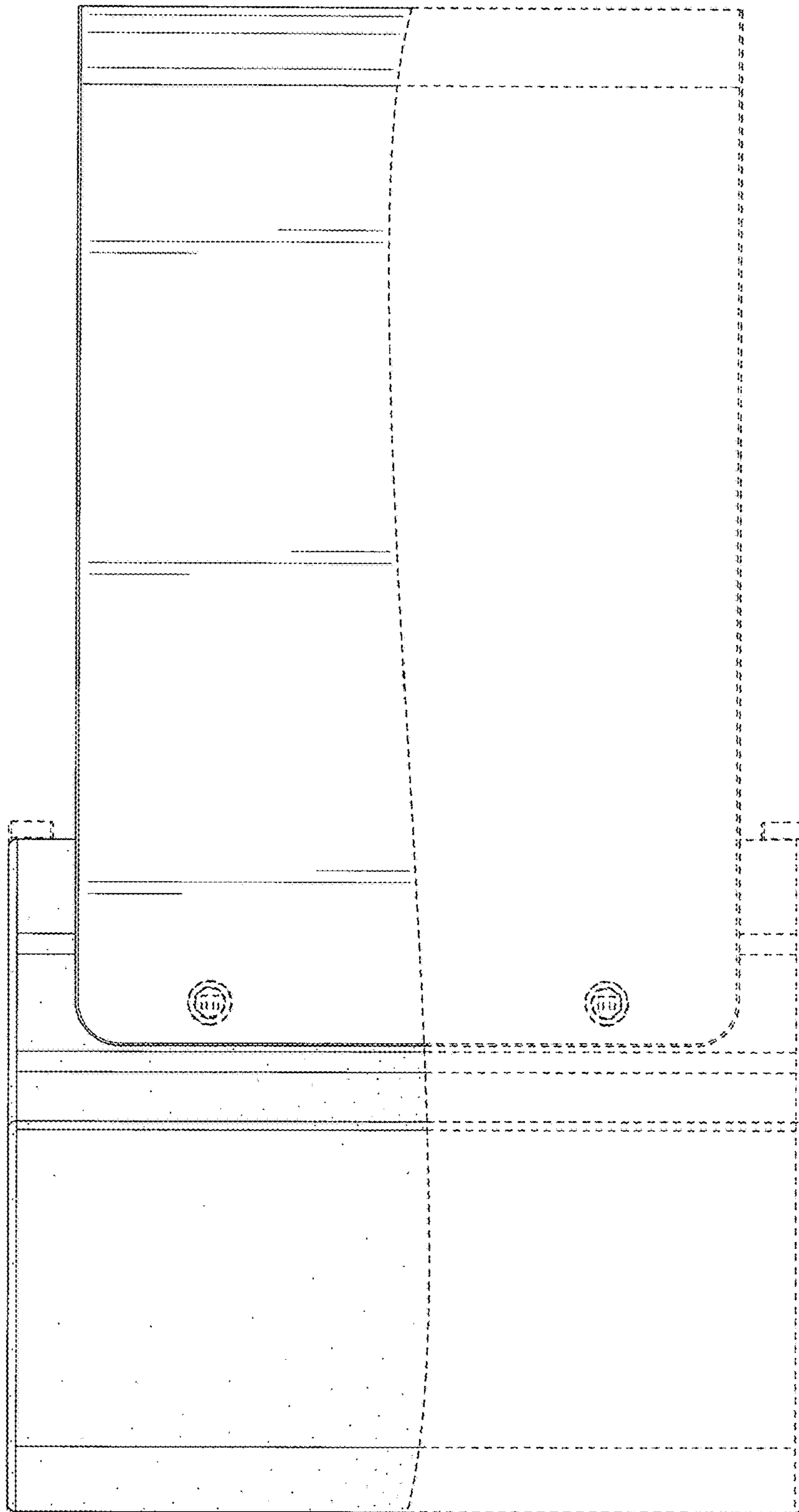


FIG. 5