



US00D821760S

(12) **United States Design Patent**
Yan

(10) **Patent No.:** **US D821,760 S**
(45) **Date of Patent:** **** Jul. 3, 2018**

(54) **BRUSH HANDLE**

(71) Applicant: **Markwins Beauty Products, Inc.**, City of Industry, CA (US)

(72) Inventor: **Jun Jie Yan**, Shenzhen (CN)

(73) Assignee: **MARKWINS BEAUTY PRODUCTS, INC.**, City Of Industry, CA (US)

(**) Term: **15 Years**

(21) Appl. No.: **29/630,693**

(22) Filed: **Dec. 22, 2017**

(51) **LOC (11) Cl.** **04-02**

(52) **U.S. Cl.**
USPC **D4/138**

(58) **Field of Classification Search**
USPC D4/104, 108, 111, 112, 113, 114, 115, D4/116, 117, 118, 119, 127, 128, 129, D4/130, 131, 132, 133, 134, 135, 136, D4/137, 138, 199
CPC A46B 9/02; A46B 9/021; A46B 2200/1046
See application file for complete search history.

(56) **References Cited**

U.S. PATENT DOCUMENTS

D35,577 S *	1/1902	Jacobson	15/443
D120,382 S *	5/1940	Kerr	D4/104
D122,135 S *	8/1940	Duey	D4/104
D161,695 S *	1/1951	La Mura	15/184
2,602,457 A *	7/1952	Mele	A45D 24/16 132/120
3,276,062 A *	10/1966	Palumbo	B01L 99/00 15/104.94
4,076,427 A *	2/1978	Anderson	A46B 5/02 401/198
D269,357 S *	6/1983	Jagger	D19/180

(Continued)

FOREIGN PATENT DOCUMENTS

BR D16602353 7/2006
BR D16602354 7/2006

(Continued)

OTHER PUBLICATIONS

Instagram photograph of _girly_stuff_ cosmetic brush collection by "wet n wild," [on-line]. Posted Jan. 24, 2016; retrieved from the Internet Feb. 7, 2018. URL: <<https://www.instagram.com/p/BA77jsxJcxT/>>. (1 page).*

(Continued)

Primary Examiner — Karen E Eldridge Powers

(74) *Attorney, Agent, or Firm* — Denton K. Mak; Leech Tishman Fuscaldo & Lampl

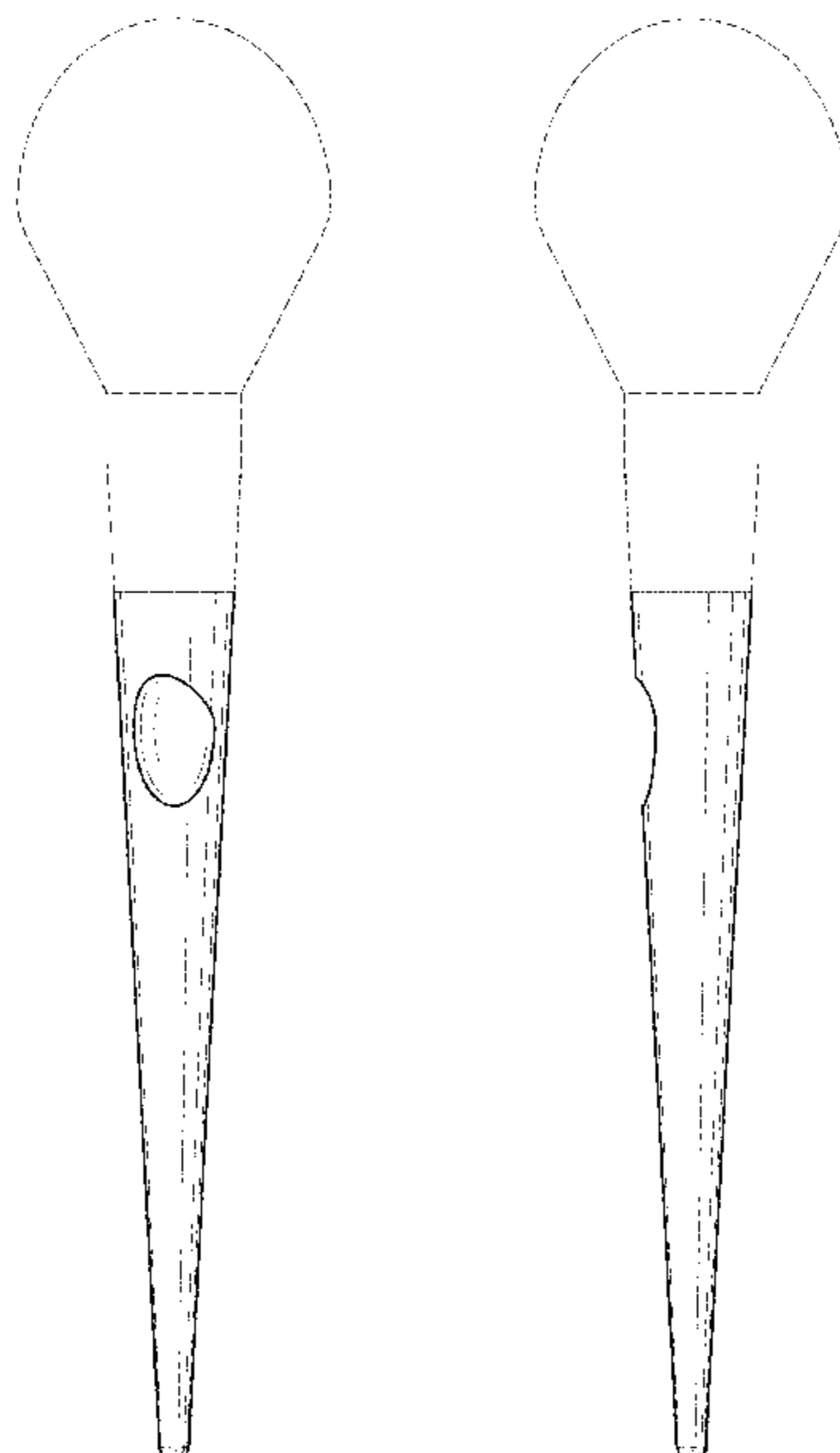
(57) **CLAIM**

I claim the ornamental design for the brush handle, as shown and described.

DESCRIPTION

FIG. 1 is a perspective view of the brush handle showing the new design;
FIG. 2 is a front elevation view of the brush handle of FIG. 1;
FIG. 3 is a rear elevation view of the brush handle of FIG. 1;
FIG. 4 is a right side elevation view of the brush handle of FIG. 1;
FIG. 5 is a left side elevation view of the brush handle of FIG. 1;
FIG. 6 is a top plan view of the brush handle of FIG. 1; and, FIG. 7 is a bottom plan view of the brush handle of FIG. 1. The broken lines in the drawings illustrate portions of the article of manufacture that form no part of the claimed design.

1 Claim, 4 Drawing Sheets



(56)

References Cited

U.S. PATENT DOCUMENTS

D294,281	S	*	2/1988	Song	D19/186
D360,486	S	*	7/1995	Schultz	D28/76
D453,531	S	*	2/2002	Simon	D19/163
D455,272	S	*	4/2002	Zemel	D4/132
D458,761	S		6/2002	Mason et al.		
D459,896	S		7/2002	Kapp		
D517,815	S		3/2006	Kaposi		
D536,530	S		2/2007	Peterson		
D562,566	S		2/2008	Mink		
D615,419	S	*	5/2010	Owen	D28/7
D628,393	S		12/2010	Burridge		
D630,437	S		1/2011	Carey		
D758,742	S	*	6/2016	Nicoline	D4/138
D776,941	S	*	1/2017	Nicoline	D4/138
D788,471	S	*	6/2017	Dunaway	D4/135
D794,965	S	*	8/2017	Salm	D4/138
D794,966	S	*	8/2017	Salm	D4/138
D795,596	S	*	8/2017	Salm	D4/138
D800,457	S	*	10/2017	Kaicker	D4/138
D802,308	S	*	11/2017	Salm	D4/138
D802,938	S	*	11/2017	Nicoline	D4/135
2016/0262528	A1	*	9/2016	Telwar	A46B 3/10

FOREIGN PATENT DOCUMENTS

BR	D16602370	7/2006
BR	D16602517	7/2006
BR	D16904266	7/2006
BR	DI6602844	7/2006
BR	D16900314	2/2009
BR	D16900315	2/2009
CA	98925	10/2003
CA	134521	10/2011
CA	142985	6/2012
CN	201330285512.3	12/2013
CN	201530070318.2	3/2015
CN	201530070378.4	3/2015
CN	201530070433.X	3/2015
DE	M8900942-0001	7/1990

DE	M9004961-0002	12/1991
DE	402011001038-0001	6/2011
EM	000203229-0001	7/2004
EM	000788013-0002	9/2007
EM	000788013-0003	9/2007
EM	000788013-0009	9/2007
EM	000788013-0012	9/2007
EM	001421028-0001	9/2014
FR	20142723-0002	6/2014
FR	20142723-0003	6/2014
FR	20142723-0004	6/2014
FR	20142723-0021	6/2014
GB	4027892	12/2012

OTHER PUBLICATIONS

Article from wet n wild homepage entitled, "about us," [on-line]. Retrieved from the Internet Feb. 14, 2018. URL: <<https://www.wetnwildbeauty.com/about-us>>. (8 pages, see p. 5 for date Markwins purchased wet n wild).*

Photographs of "wet n wild" cosmetic brushes in article entitled, "New Products from Wet n Wild—Hits & Misses," by Katie Marie [on-line]. Posted Feb. 19, 2016; retrieved from the Internet Feb. 7, 2018. URL: <<https://www.frommyvanity.com/2016/02/new-products-from-wet-n-wild-hits-misses.html>>. (5 pages).*

Photograph on Pinterest of "wet n wild" cosmetic brushes [on-line]. Posted by Trend2Wear Mar. 13, 2016; retrieved from the Internet Feb. 7, 2018. URL: <<https://www.pinterest.com/pin/234046511866363195/>>. (2 pages).*

Screen shot from YouTube video entitled, "New Wet n Wild products for 2016," [on-line]. Published Jan. 9, 2016 by all4one1fourall; retrieved from the Internet Feb. 7, 2018. URL: <<https://www.youtube.com/watch?v=MLwPPQTlkZM>>. (1 page).*

SPSG Sherman Patent Search Group, design search report on global industrial design references for the rush design; dated May 3, 2017; 25 pages.

* cited by examiner

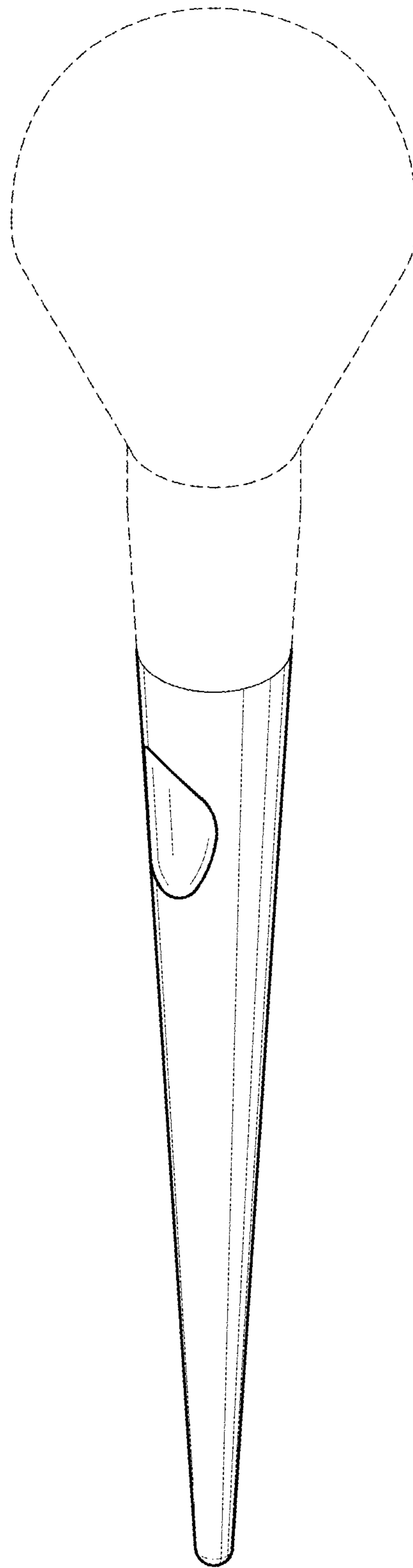


FIG. 1

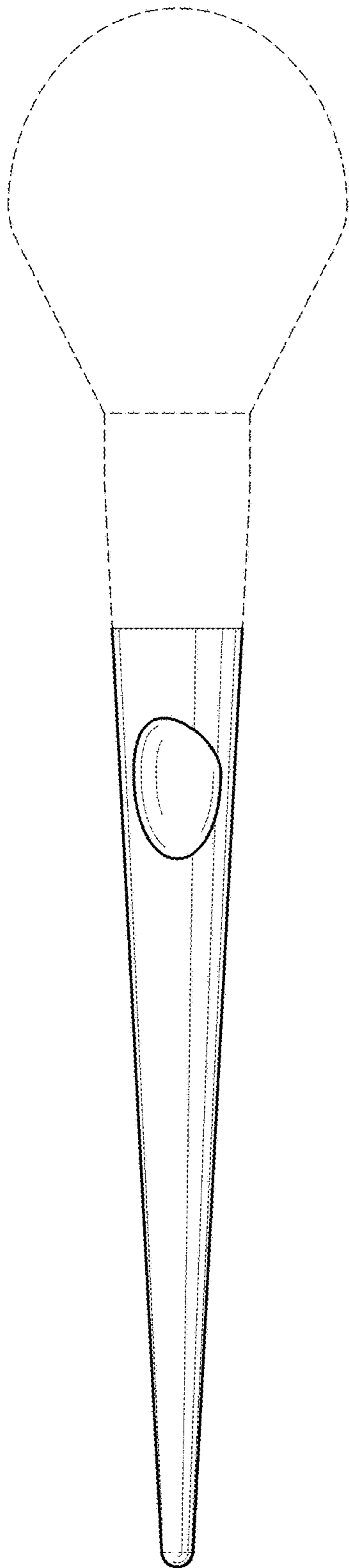


FIG. 2

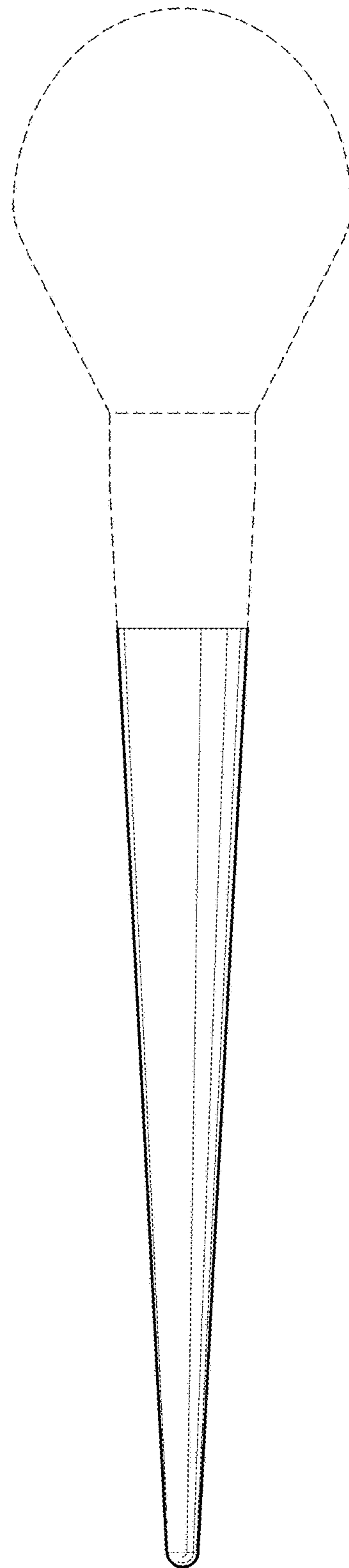


FIG. 3

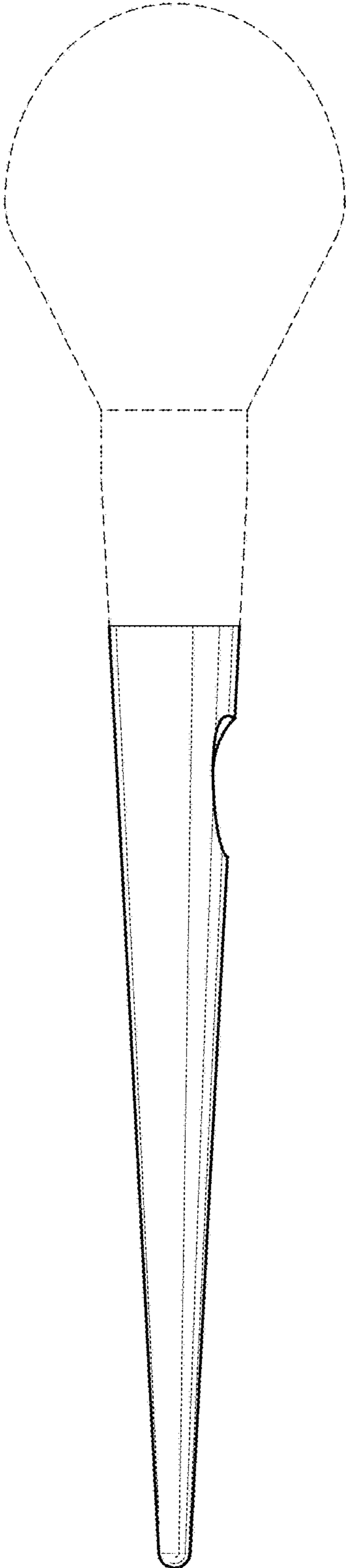


FIG. 4

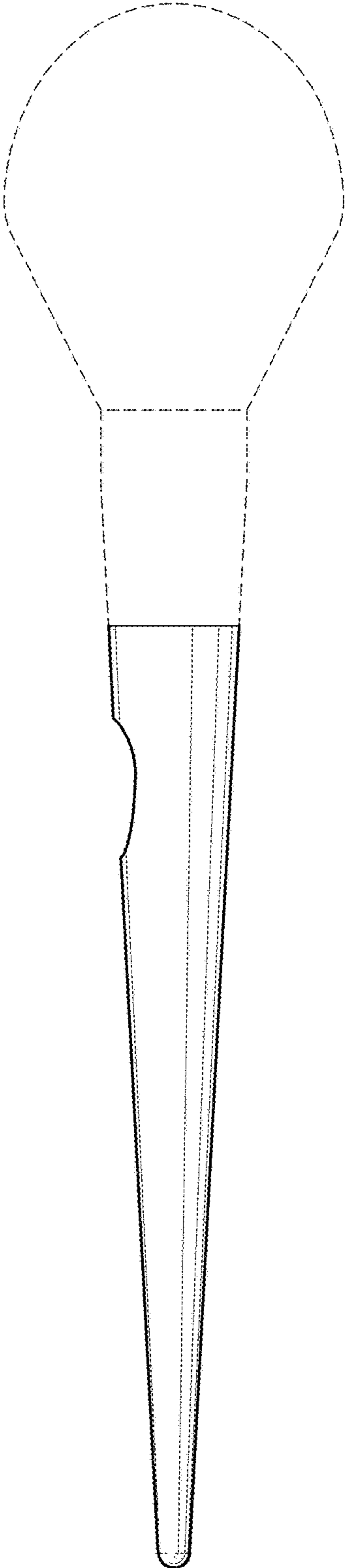


FIG. 5

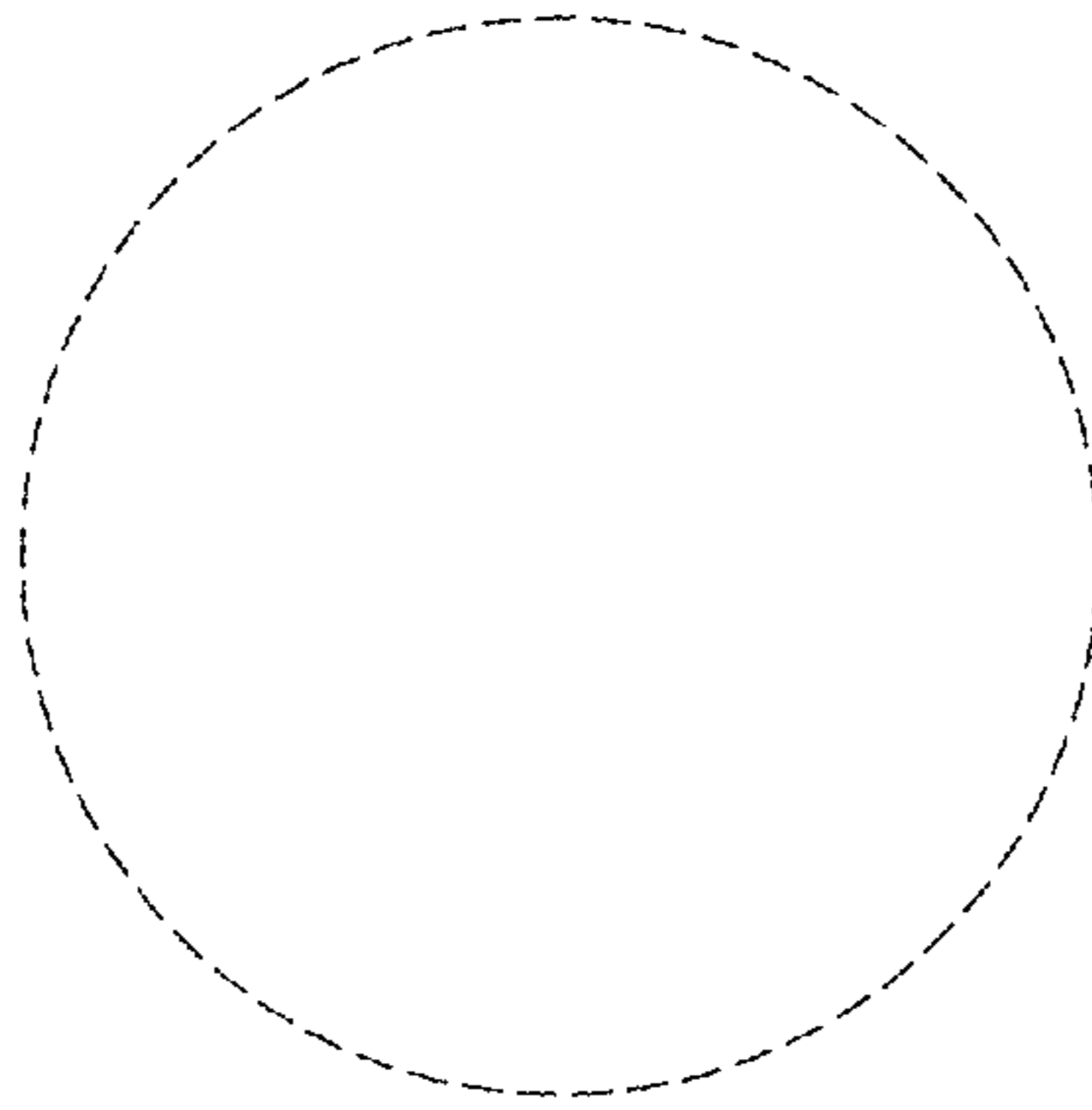


FIG. 6

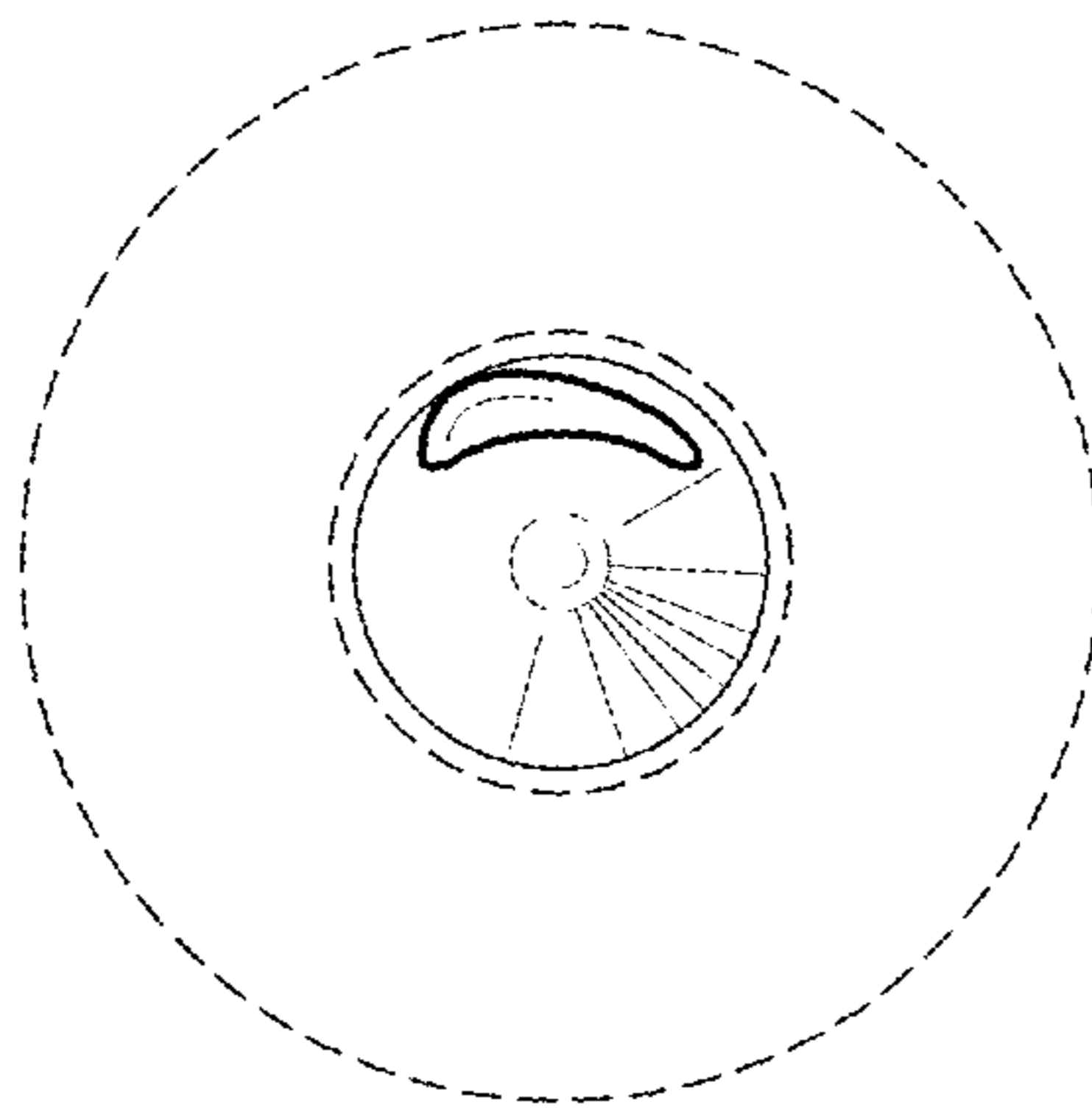


FIG. 7