



US00D821759S

(12) **United States Design Patent** (10) **Patent No.:** **US D821,759 S**
Szymanski et al. (45) **Date of Patent:** **** Jul. 3, 2018**

(54) **FACIAL BRUSH**

(71) Applicants: **Aaron Szymanski**, Thomaston, CT (US); **LoriAnn Lombardo**, East Hanover, NJ (US); **Anand Khubani**, Towaco, NJ (US); **Lana Rascionato**, Totowa, NJ (US)

(72) Inventors: **Aaron Szymanski**, Thomaston, CT (US); **LoriAnn Lombardo**, East Hanover, NJ (US); **Anand Khubani**, Towaco, NJ (US); **Lana Rascionato**, Totowa, NJ (US)

(73) Assignee: **IdeaVillage Products Corp.**

(*) Notice: This patent is subject to a terminal disclaimer.

(**) Term: **15 Years**

(21) Appl. No.: **29/620,447**

(22) Filed: **Dec. 20, 2016**

(51) **LOC (11) Cl.** **04-02**

(52) **U.S. Cl.**
USPC **D4/138**

(58) **Field of Classification Search**
USPC D4/100, 102, 114, 127, 128, 130, 132, D4/133, 134, 135, 138, 199, 121; D28/63; D24/200, 210
CPC A46B 13/001; A46B 13/008; A46B 2200/1006; A46B 13/02; A46B 5/0095; A46B 2200/102; A46B 5/02; A46B 7/08; A46B 13/00; A47K 7/04; A47K 7/043; A47K 7/00; A47K 7/02; A61H 2201/1671; A61H 7/005; A61H 7/002; A61H 2205/081

See application file for complete search history.

(56) **References Cited**

U.S. PATENT DOCUMENTS

D147,710 S	*	10/1947	Witte	D4/134
D179,650 S	*	2/1957	Mayer	D4/133
D227,825 S	*	7/1973	Runckel	D1/105
D238,281 S	*	12/1975	Cali	D24/139
D245,883 S	*	9/1977	Tsuji	D4/102
D258,241 S	*	2/1981	Takada	D4/135
D484,314 S	*	12/2003	DiGioia	D4/115
D500,854 S	*	1/2005	Eichel	D24/133
D652,523 S	*	1/2012	Bradley	D24/209
D713,150 S	*	9/2014	Maurin	D4/102

(Continued)

FOREIGN PATENT DOCUMENTS

CN	301961504	*	6/2012
CN	302711278	*	1/2014

Primary Examiner — Karen E Eldridge Powers

(74) *Attorney, Agent, or Firm* — Dan DeLaRosa

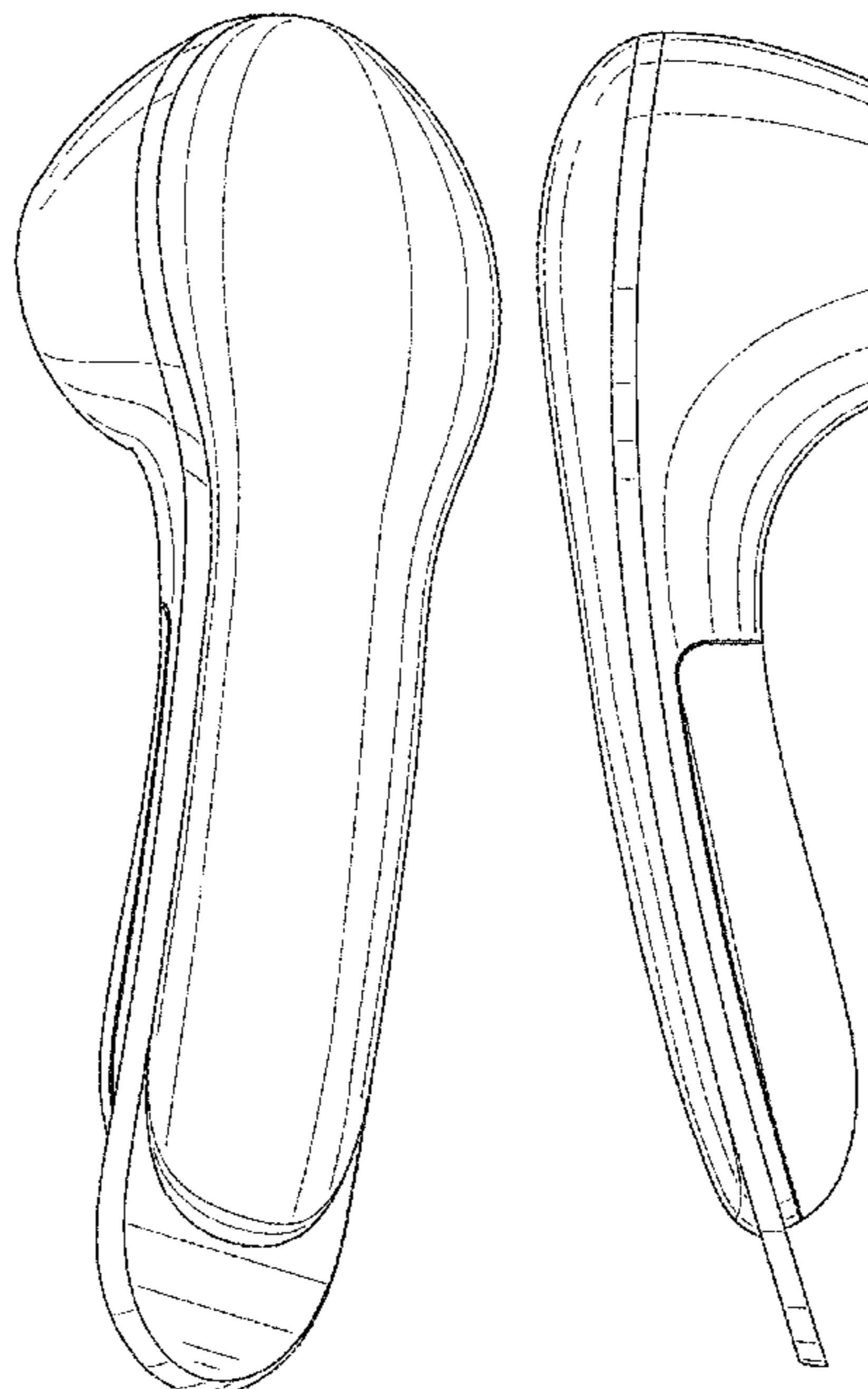
(57) **CLAIM**

The ornamental design for a facial brush, as shown and described.

DESCRIPTION

FIG. 1 is a front perspective view of a facial brush of the present invention showing my new design; FIG. 2 is a front elevation view thereof; FIG. 3 is a rear elevation view thereof; FIG. 4 is a side elevation view thereof; FIG. 5 is another side elevation view thereof; FIG. 6 is a top plan view thereof; and, FIG. 7 is a bottom plan view thereof.

1 Claim, 6 Drawing Sheets



(56)

References Cited

U.S. PATENT DOCUMENTS

9,138,257	B2 *	9/2015	Revivo	A61B 17/54
D742,647	S *	11/2015	Hosler	D4/102
D764,173	S *	8/2016	Nichols	D4/102
D767,897	S *	10/2016	Hosler	D4/102
9,486,064	B2 *	11/2016	Zhou	A61H 7/005
D773,823	S *	12/2016	Wong	D4/102
D775,839	S *	1/2017	Rennette	D4/138
9,579,250	B2 *	2/2017	Nichols	A46B 13/023
9,681,782	B2 *	6/2017	McCauley	A47K 7/043
9,717,376	B2 *	8/2017	Hwang	A61H 7/005
2010/0217263	A1 *	8/2010	Tukulj-Popovic	.	A45D 26/0004 606/43
2013/0023806	A1 *	1/2013	Ungemach	A61H 7/005 601/114
2016/0120375	A1 *	5/2016	Philips	A47K 7/043 15/22.1
2016/0183743	A1 *	6/2016	Sueyoshi	A61H 35/008 15/21.1

* cited by examiner

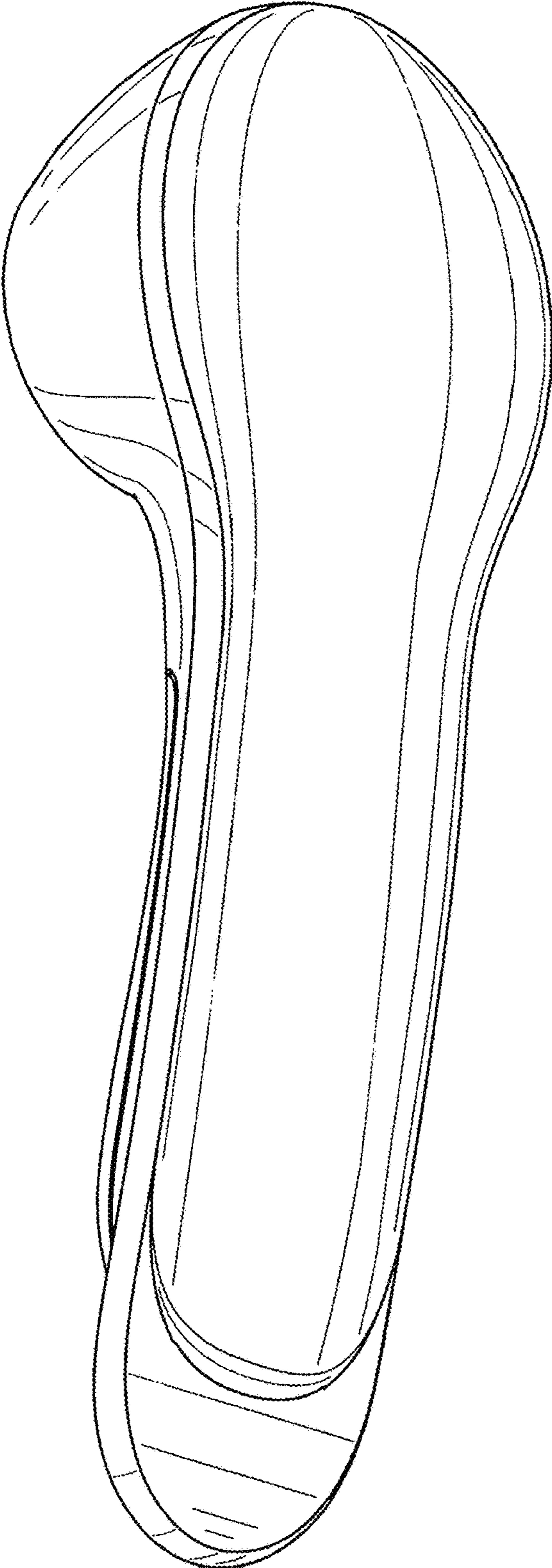


FIG. 1

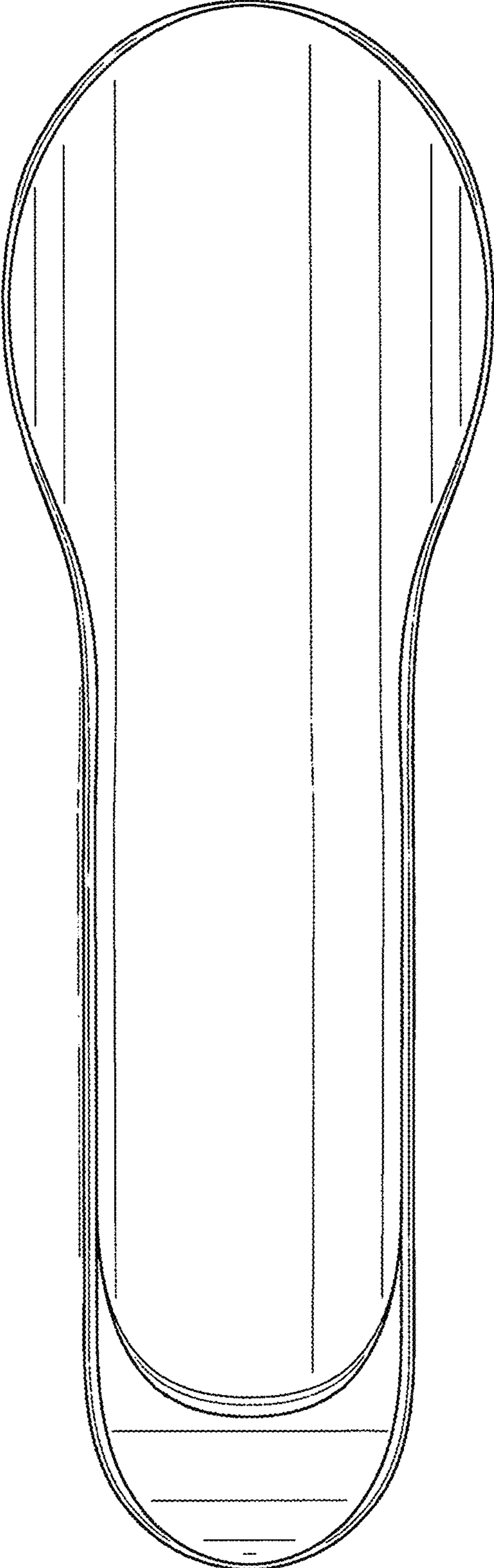


FIG. 2

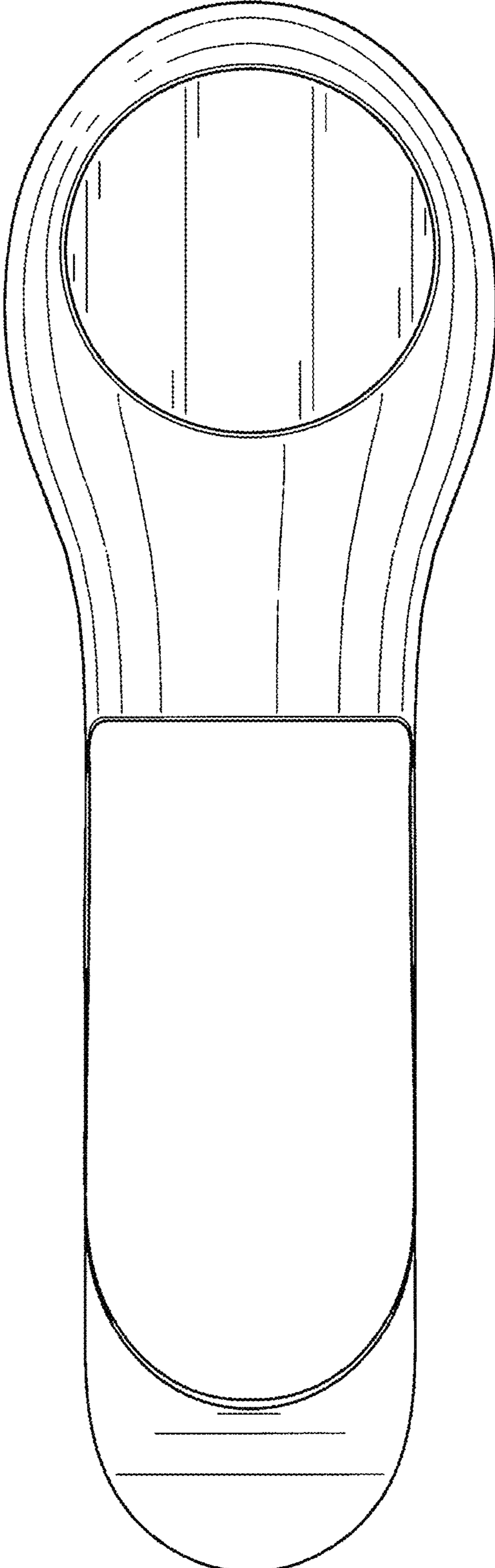


FIG. 3

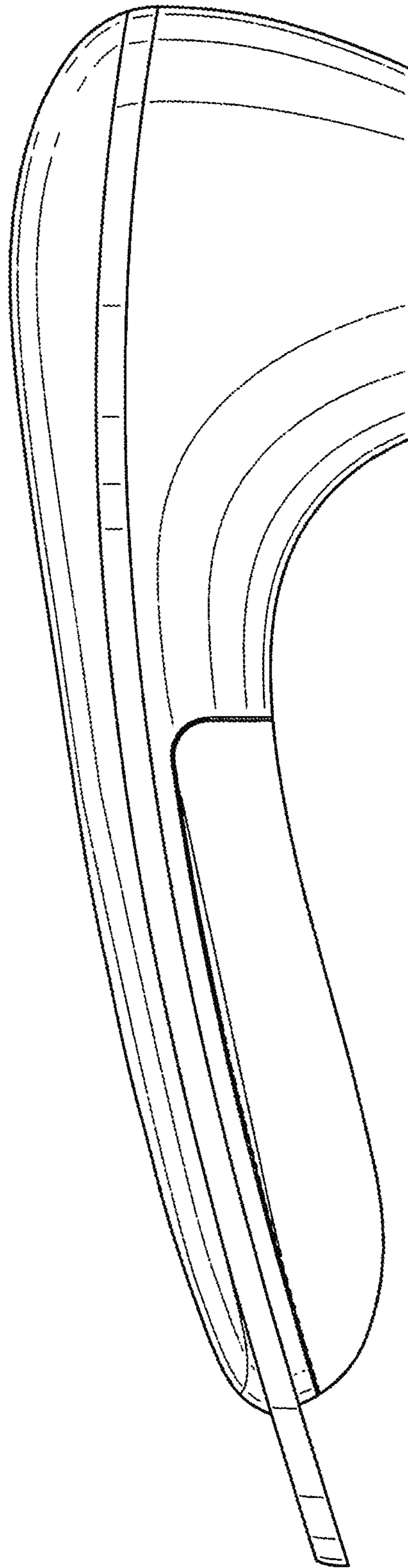


FIG. 4

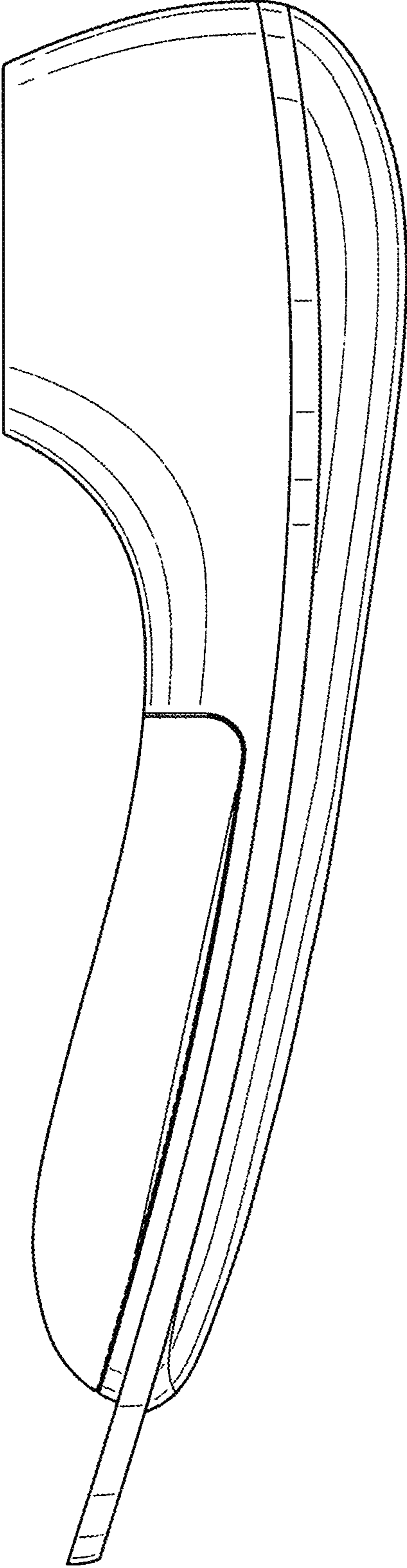


FIG. 5

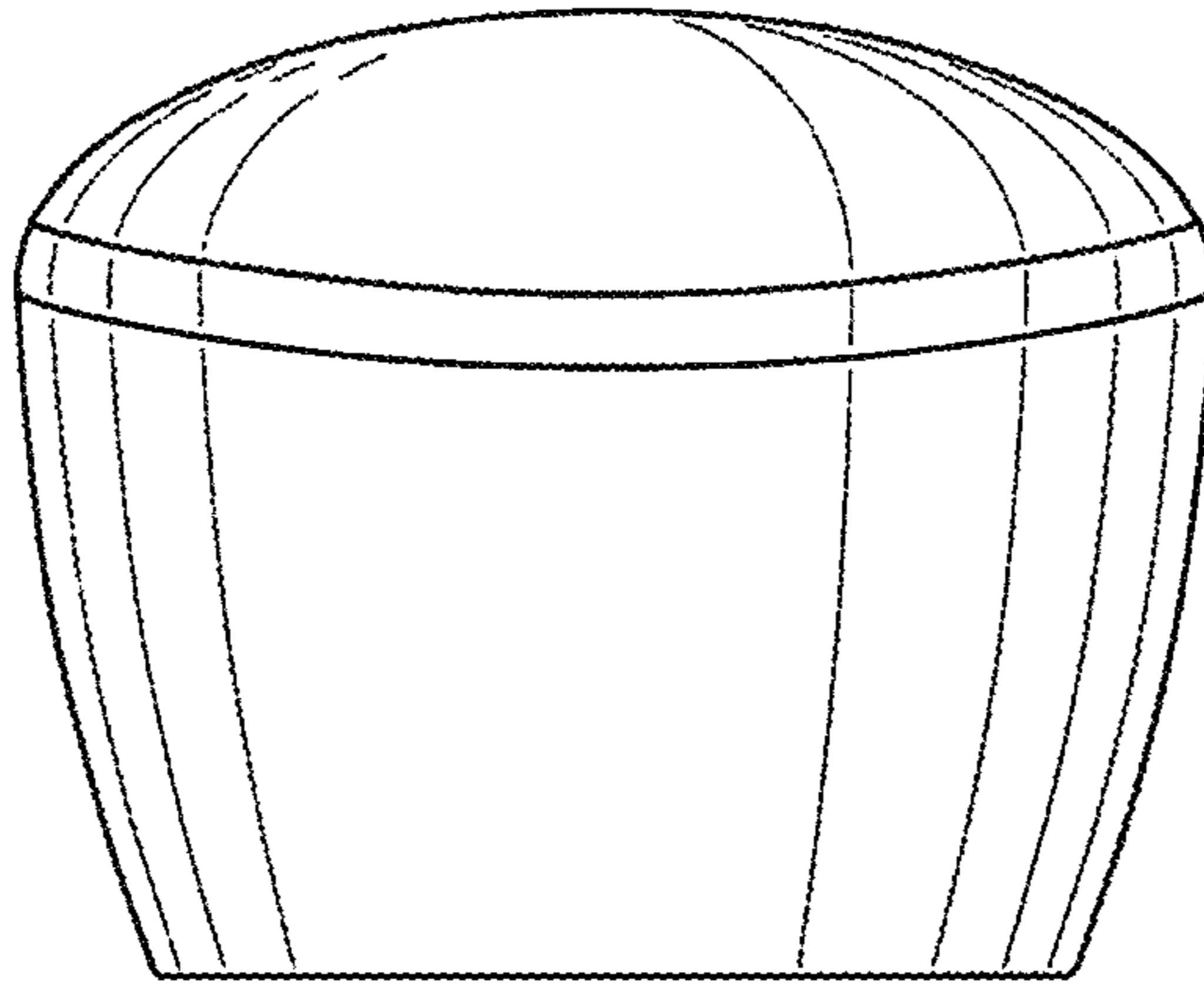


FIG. 6

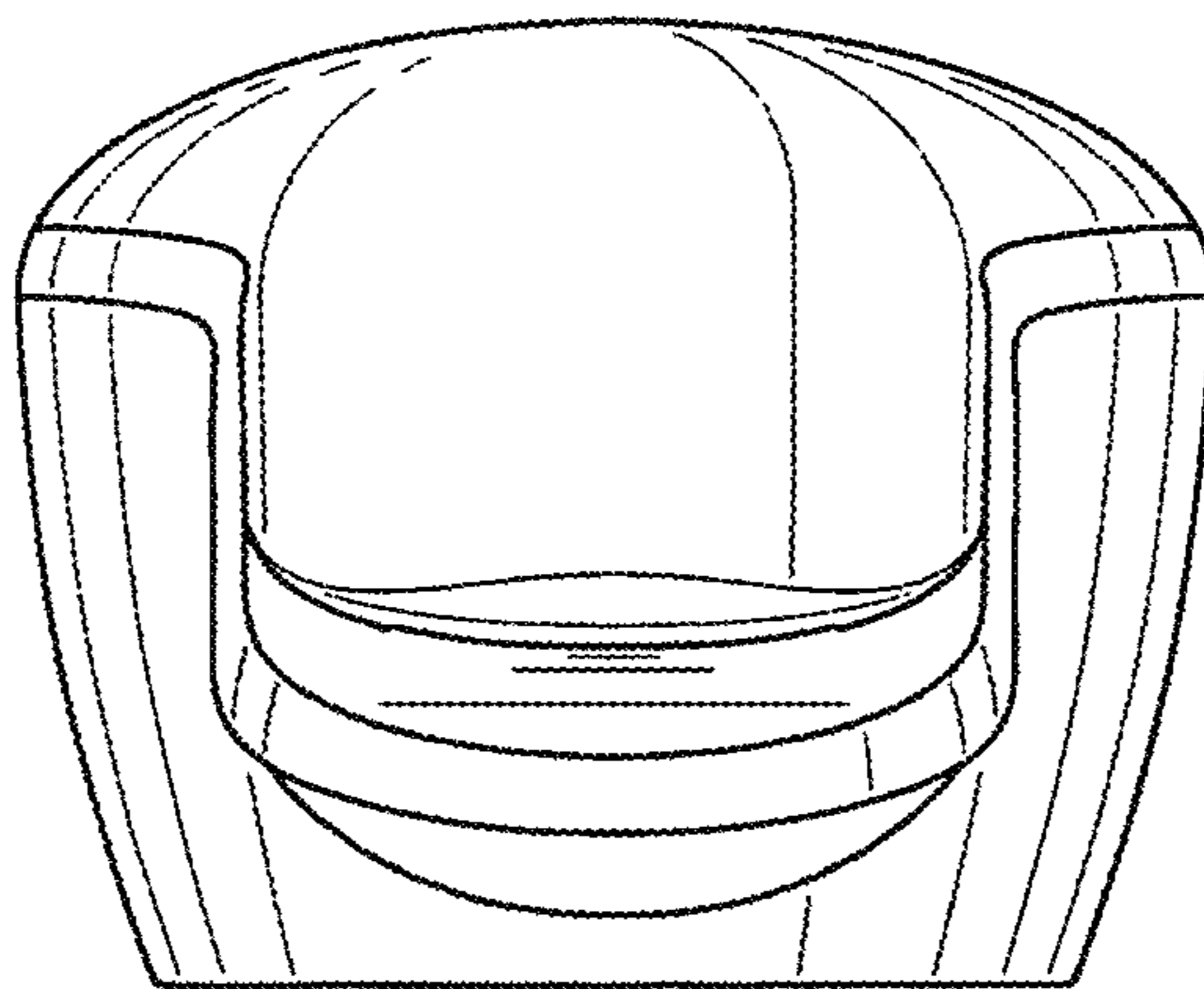


FIG. 7