



US00D821754S

(12) **United States Design Patent**
Huang

(10) **Patent No.:** **US D821,754 S**
(45) **Date of Patent:** **** Jul. 3, 2018**

- (54) **FLOATING IONIC HAIR STRAIGHTENER**
- (71) Applicant: **Shenzhen Mexi Technology Co., Ltd**,
Shenzhen, Guangdong Province (CN)
- (72) Inventor: **Geming Huang**, Shenzhen (CN)
- (73) Assignee: **SHENZHEN MEXI TECHNOLOGY., LTD**, Shenzhen (CN)
- (**) Term: **15 Years**
- (21) Appl. No.: **29/587,512**
- (22) Filed: **Dec. 13, 2016**
- (30) **Foreign Application Priority Data**

Nov. 2, 2016 (CN) 2016 3 0526055

- (51) **LOC (11) Cl.** **04-02**
- (52) **U.S. Cl.**
USPC **D4/100; D28/35**
- (58) **Field of Classification Search**
USPC D4/100, 102, 114, 115, 116, 117, 128,
D4/130, 132, 133, 134, 136, 138, 199;
D28/35
CPC .. A45D 2/002; A45D 2/00; A46B 9/02; A46B
9/06; A46B 9/023; A46B 9/028; A46B
5/02; A46B 9/005; A46B 2200/104
See application file for complete search history.

(56) **References Cited**
U.S. PATENT DOCUMENTS

D317,083 S * 5/1991 Chou D4/115
D339,210 S * 9/1993 Classen D28/15

8,267,098 B2 * 9/2012 Glucksman A45D 2/002
132/136
2011/0167580 A1 * 7/2011 Mercier A46B 9/02
15/171
2017/0215540 A1 * 8/2017 Qin A45D 2/002
132/118

FOREIGN PATENT DOCUMENTS

CN	301608107	*	7/2011
CN	303750210	*	7/2016
CN	303891980	*	10/2016
CN	303908348	*	11/2016
CN	303962042	*	12/2016
CN	303962095	*	12/2016
CN	304016982	*	1/2017
CN	304060142	*	2/2017
CN	304124134	*	5/2017
CN	304133246	*	5/2017
CN	304185968	*	6/2017
EM	003443464-0001	*	11/2016
GB	6002638	*	11/2016

* cited by examiner

Primary Examiner — Karen E Eldridge Powers

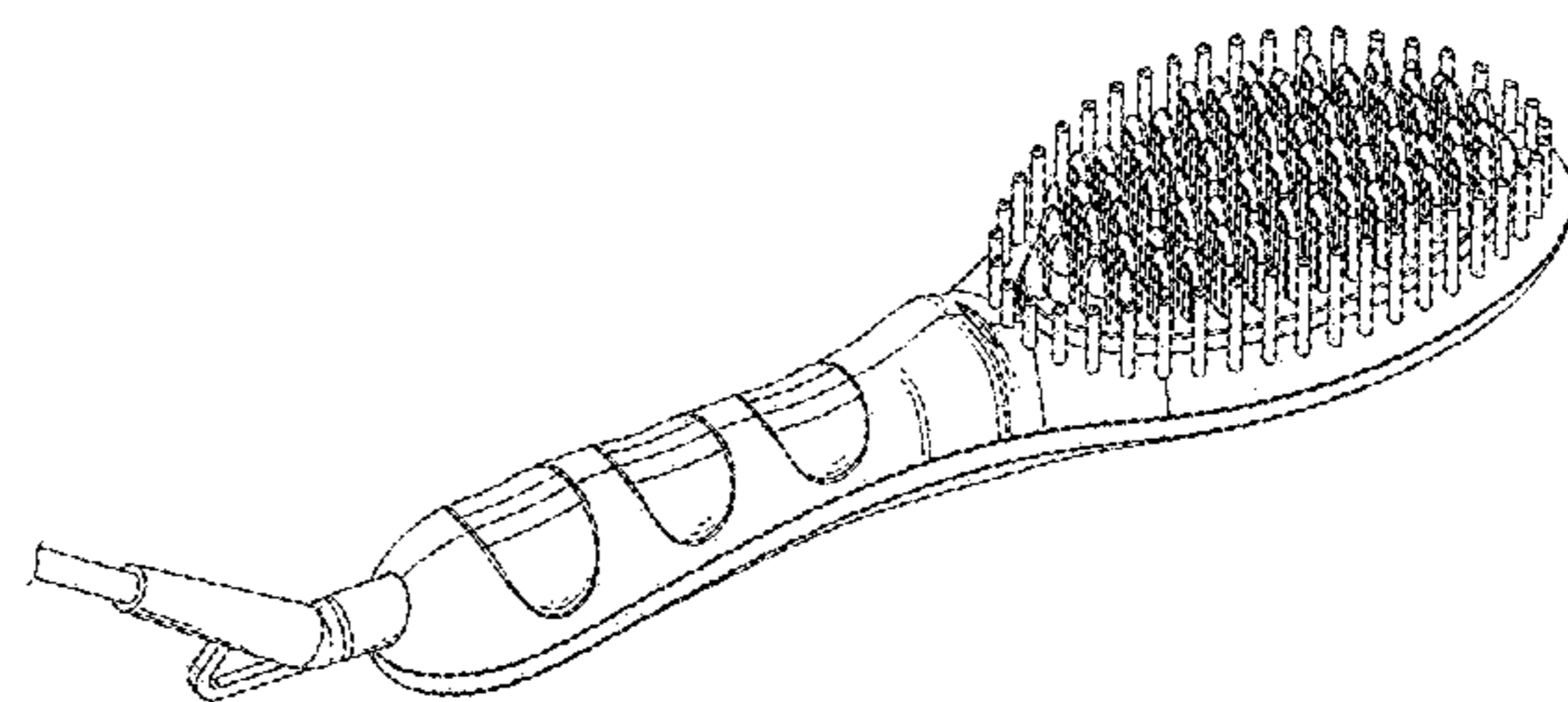
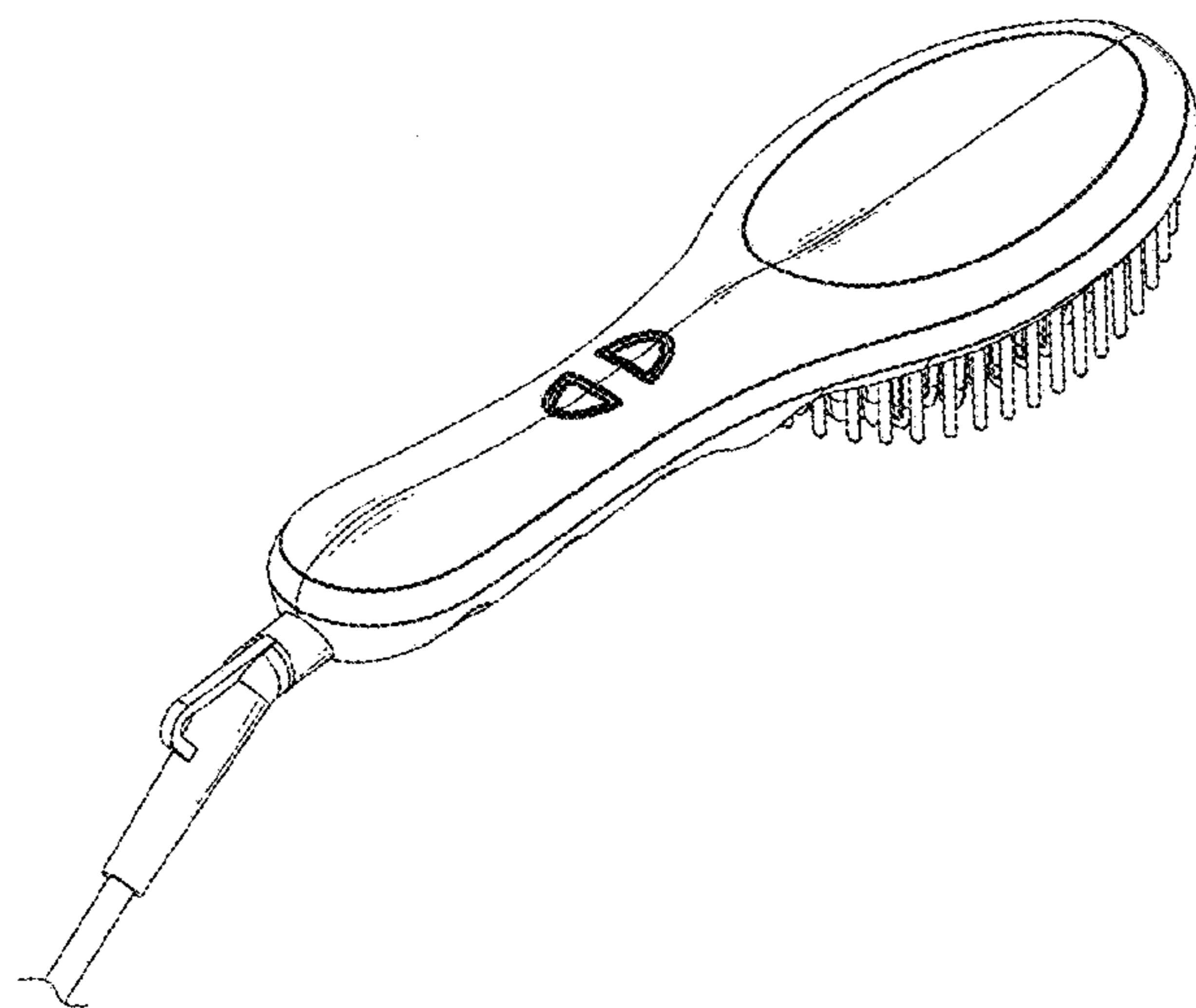
(57) **CLAIM**

The ornamental design for a floating ionic hair straightener, as shown and described.

DESCRIPTION

FIG. 1 is a perspective view of a floating ionic hair straightener showing my new design;
FIG. 2 is another perspective view thereof;
FIG. 3 is a front elevational view thereof;
FIG. 4 is a rear elevational view thereof;
FIG. 5 is a left side elevational view thereof;
FIG. 6 is a right side elevational view thereof;
FIG. 7 is a top plan view thereof; and,
FIG. 8 is a bottom plan view thereof.

1 Claim, 8 Drawing Sheets



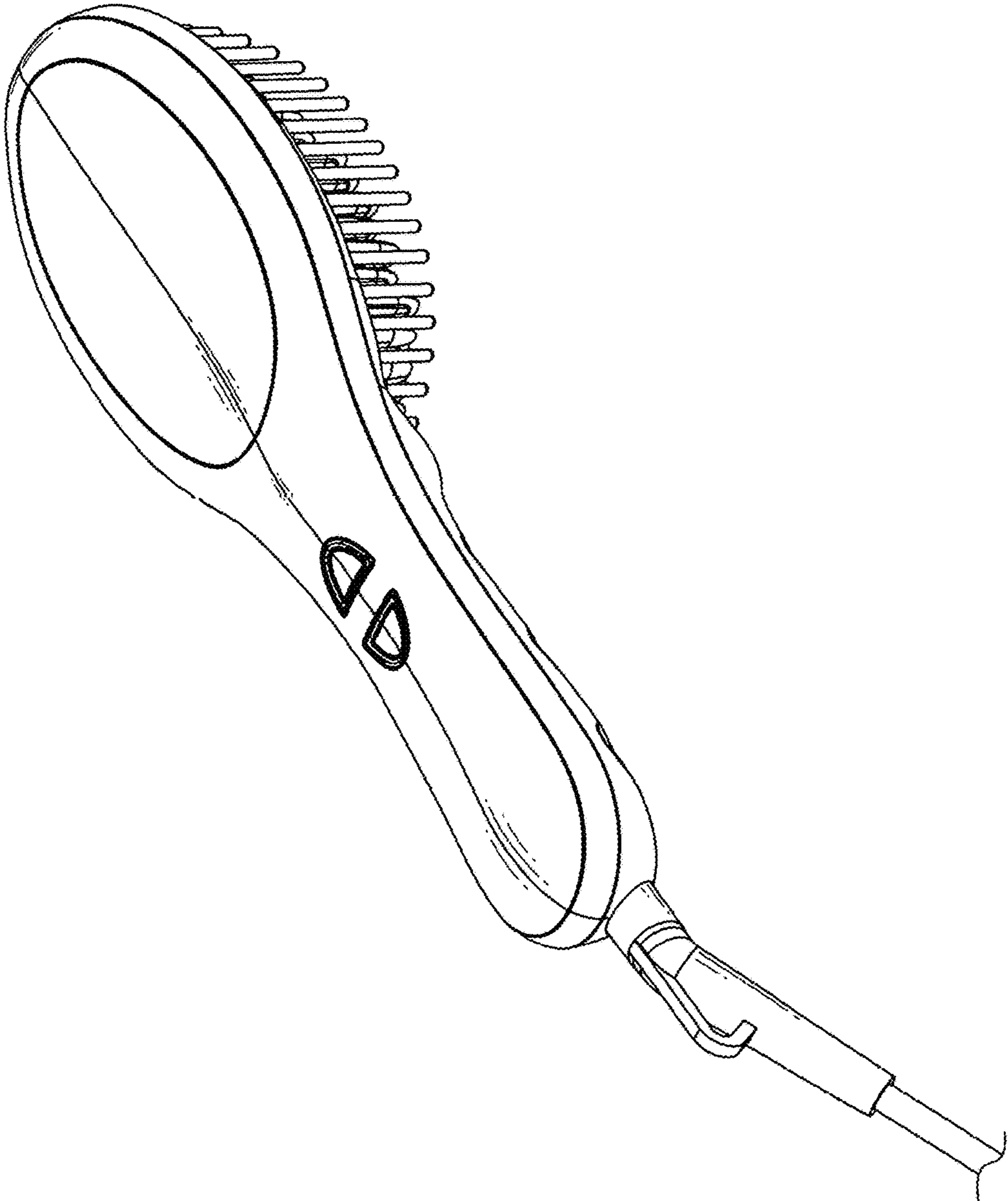


FIG. 1

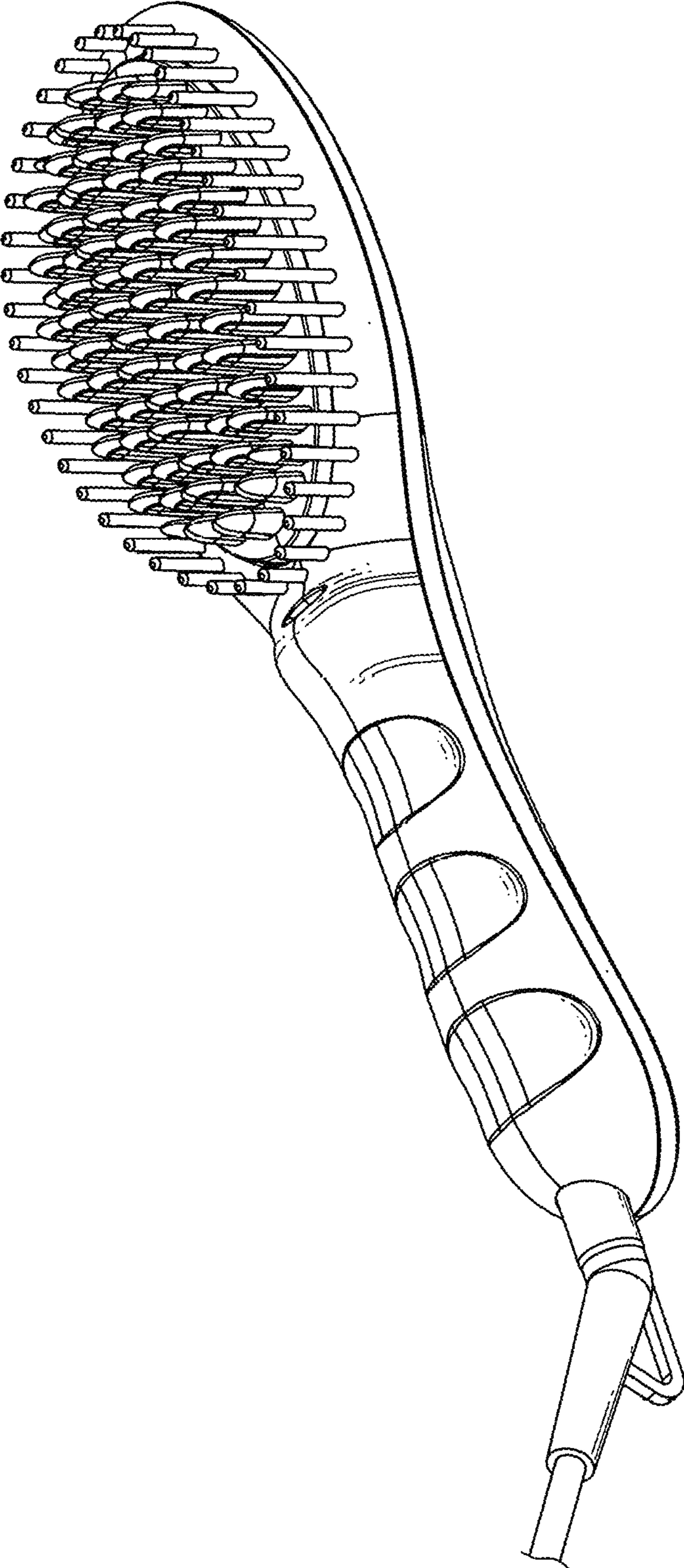


FIG. 2

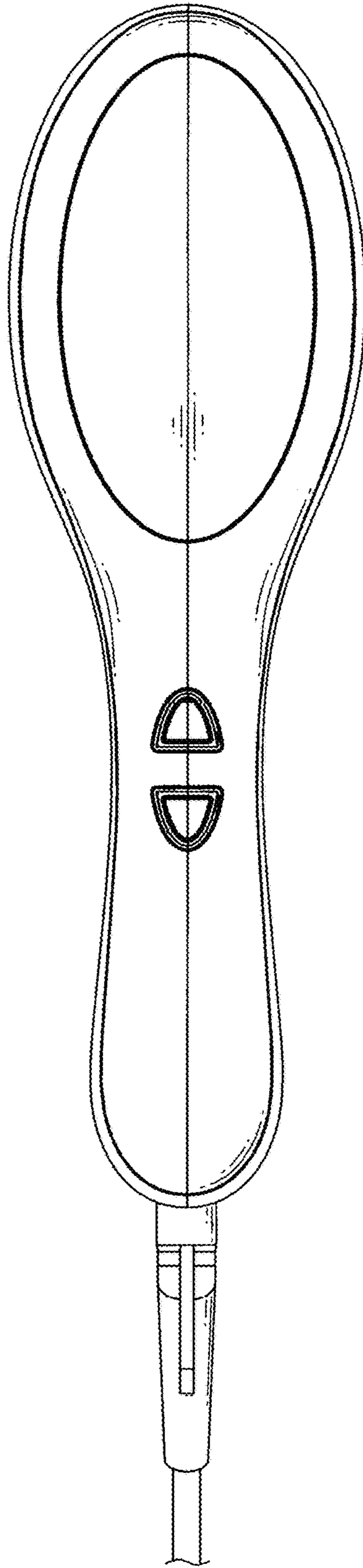


FIG. 3

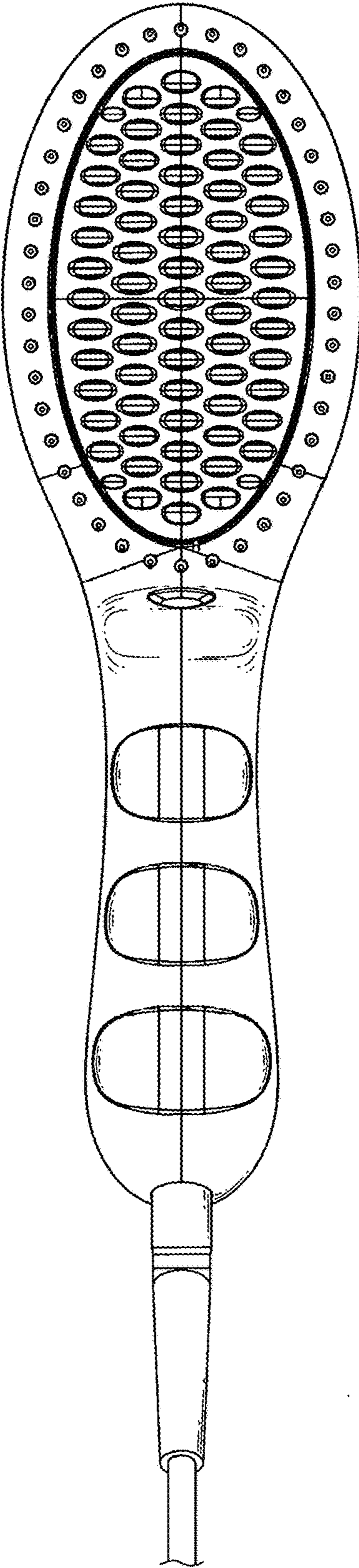


FIG. 4

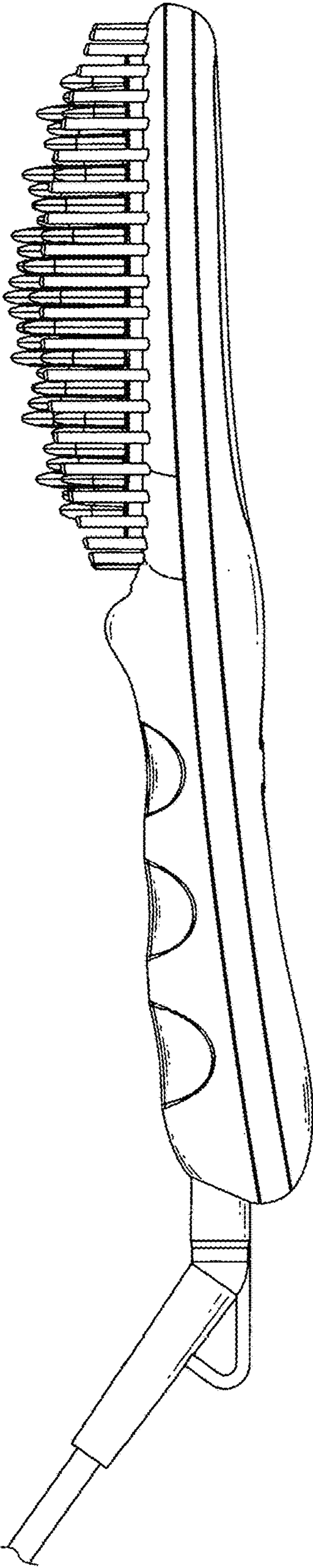


FIG. 5

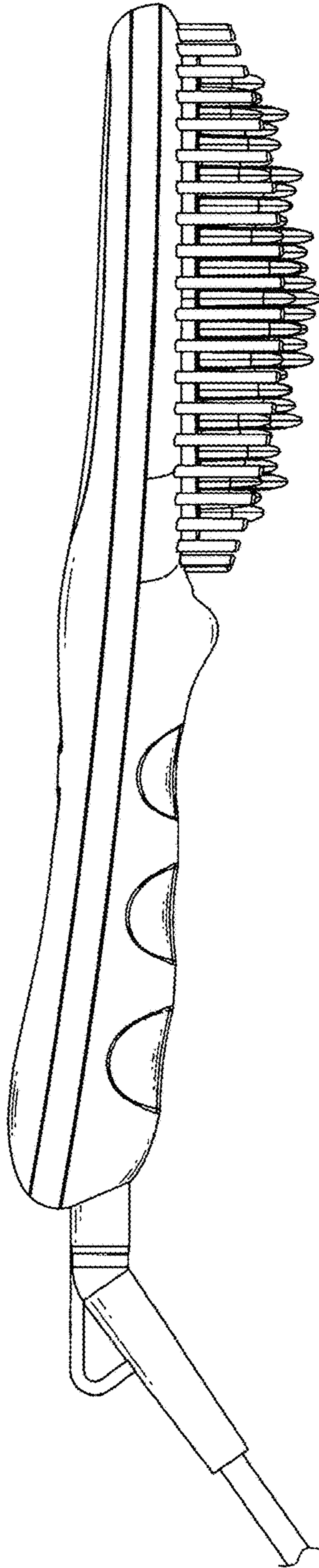


FIG. 6

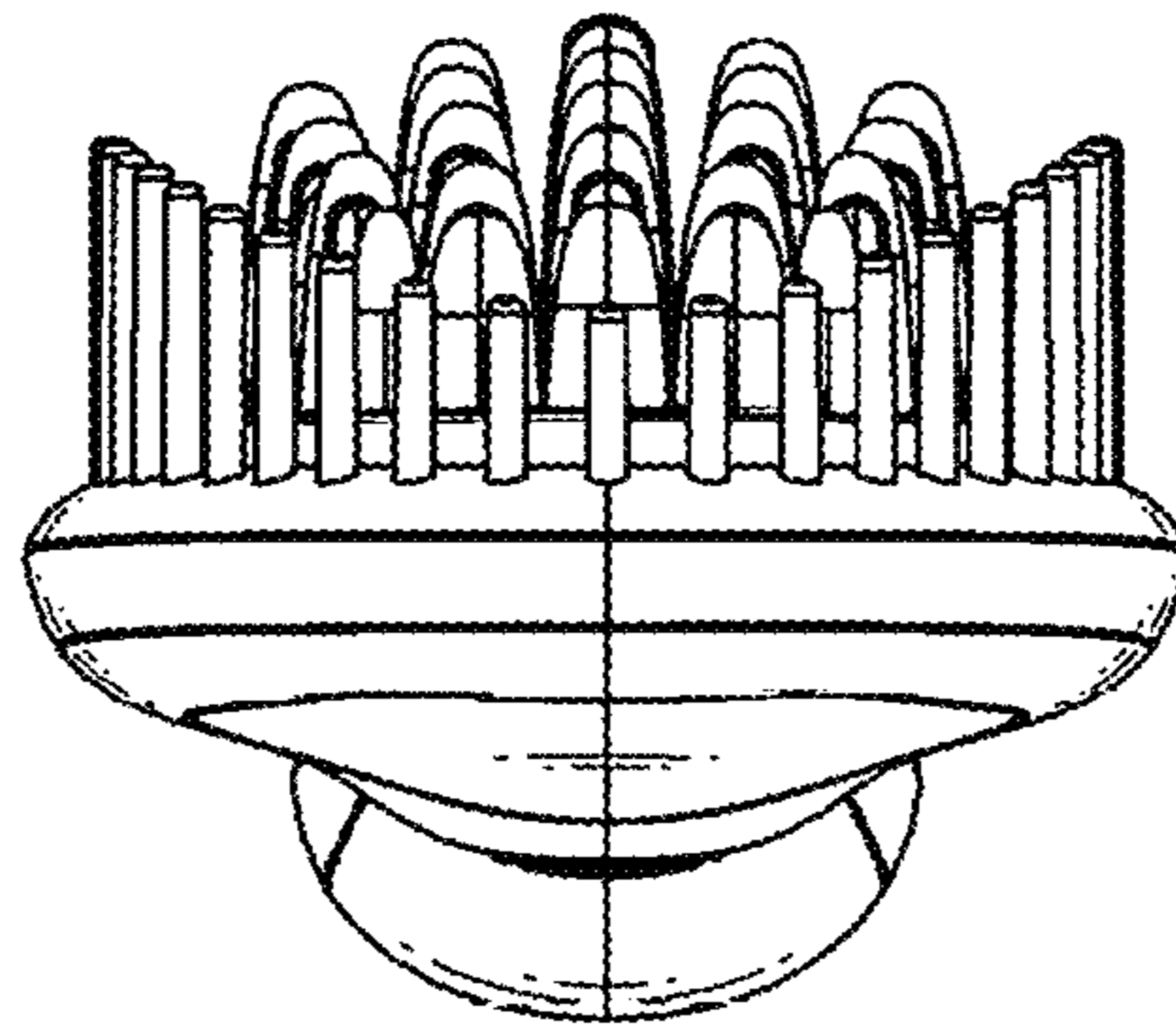


FIG. 7

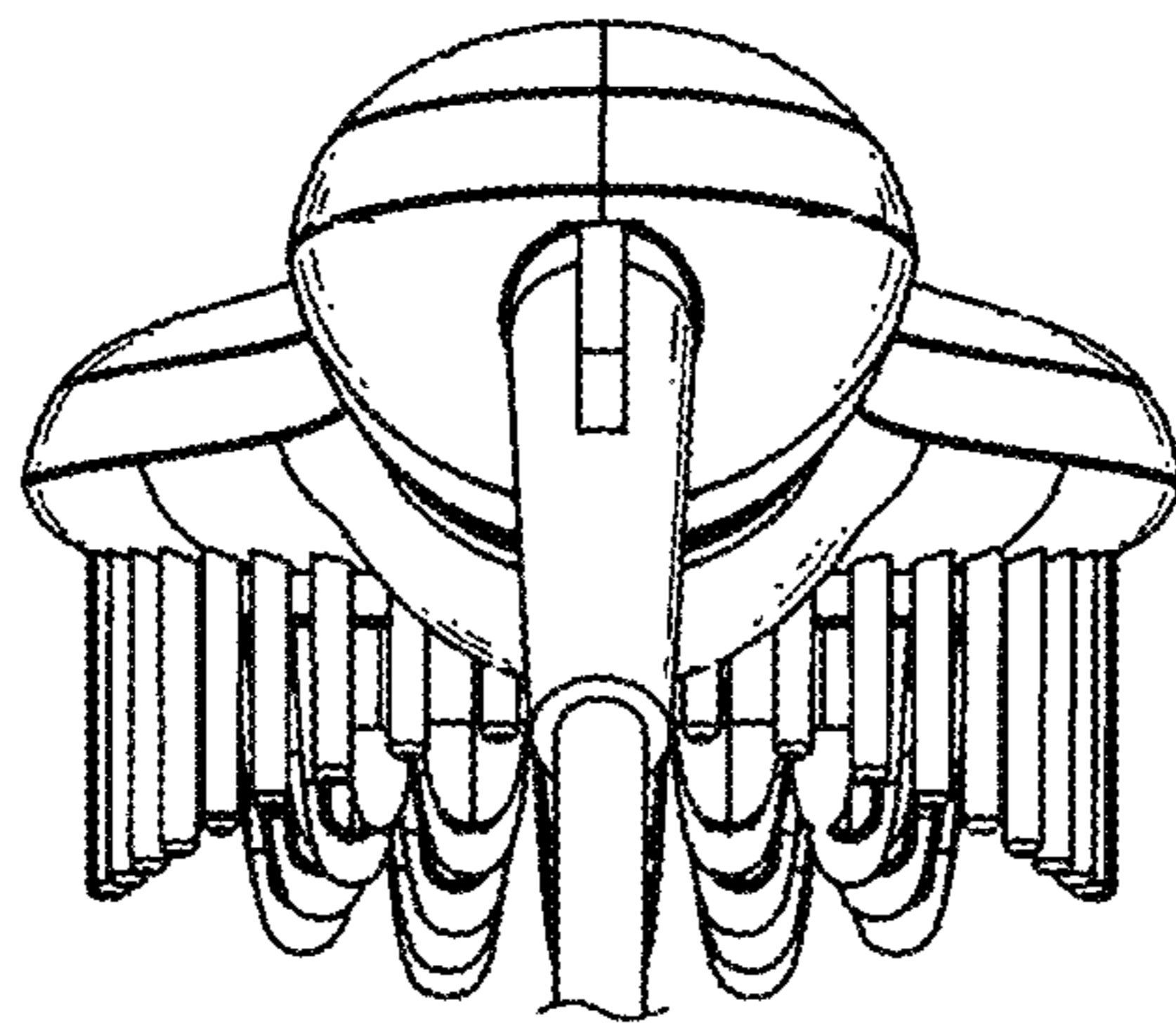


FIG. 8