



US00D821751S

(12) **United States Design Patent**
Lombardo

(10) **Patent No.:** **US D821,751 S**
(45) **Date of Patent:** **** Jul. 3, 2018**

(54) **CARRYING CASE**

(71) Applicant: **Christopher John Lombardo**, Whittier, CA (US)

(72) Inventor: **Christopher John Lombardo**, Whittier, CA (US)

(**) Term: **15 Years**

(21) Appl. No.: **29/605,346**

(22) Filed: **May 25, 2017**

(51) **LOC (11) Cl.** **03-01**

(52) **U.S. Cl.**
USPC **D3/318**

(58) **Field of Classification Search**

USPC D3/294, 318

CPC A45C 13/26; A45C 13/00; A45C 13/08;
A45C 5/04; A45F 5/02; B65D 65/00

See application file for complete search history.

(56) **References Cited**

U.S. PATENT DOCUMENTS

D372,474 S *	8/1996	Ford	D13/184
D506,611 S *	6/2005	Hiller	D3/281
D582,408 S *	12/2008	Maiers	D14/356
D587,706 S *	3/2009	Maiers	D14/356
D738,112 S *	9/2015	Lutgring	D3/318

* cited by examiner

Primary Examiner — Holly H Baynham

(74) *Attorney, Agent, or Firm* — Dunlap Bennett & Ludwig PLLC; Brendan E. Squire

(57) **CLAIM**

The ornamental design for a carrying case, as shown and described.

DESCRIPTION

FIG. 1 is a perspective view of the carrying case showing my new design;

FIG. 2 is a front elevation view thereof;

FIG. 3 is a top plan view thereof;

FIG. 4 is a left side elevation view thereof; the right side being a mirror image thereof;

FIG. 5 is a rear elevation view thereof;

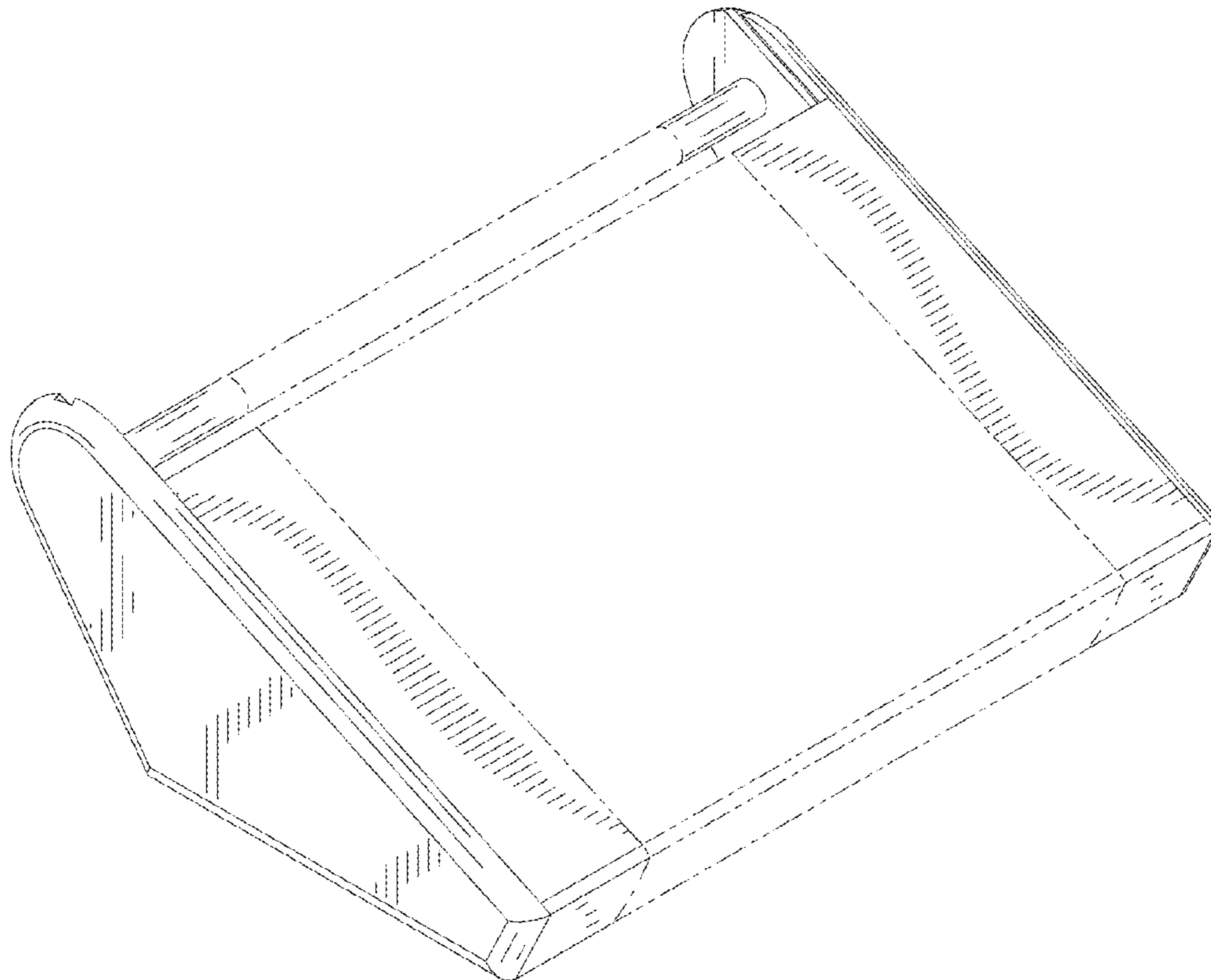
FIG. 6 is a bottom plan view thereof; and,

FIG. 7 is a perspective view thereof in an opened condition.

The broken lines shown in the drawings illustrate portions of the carrying case that form no part of the claimed design.

The dot-dashed lines illustrate the metes and bounds of the claimed design.

1 Claim, 4 Drawing Sheets



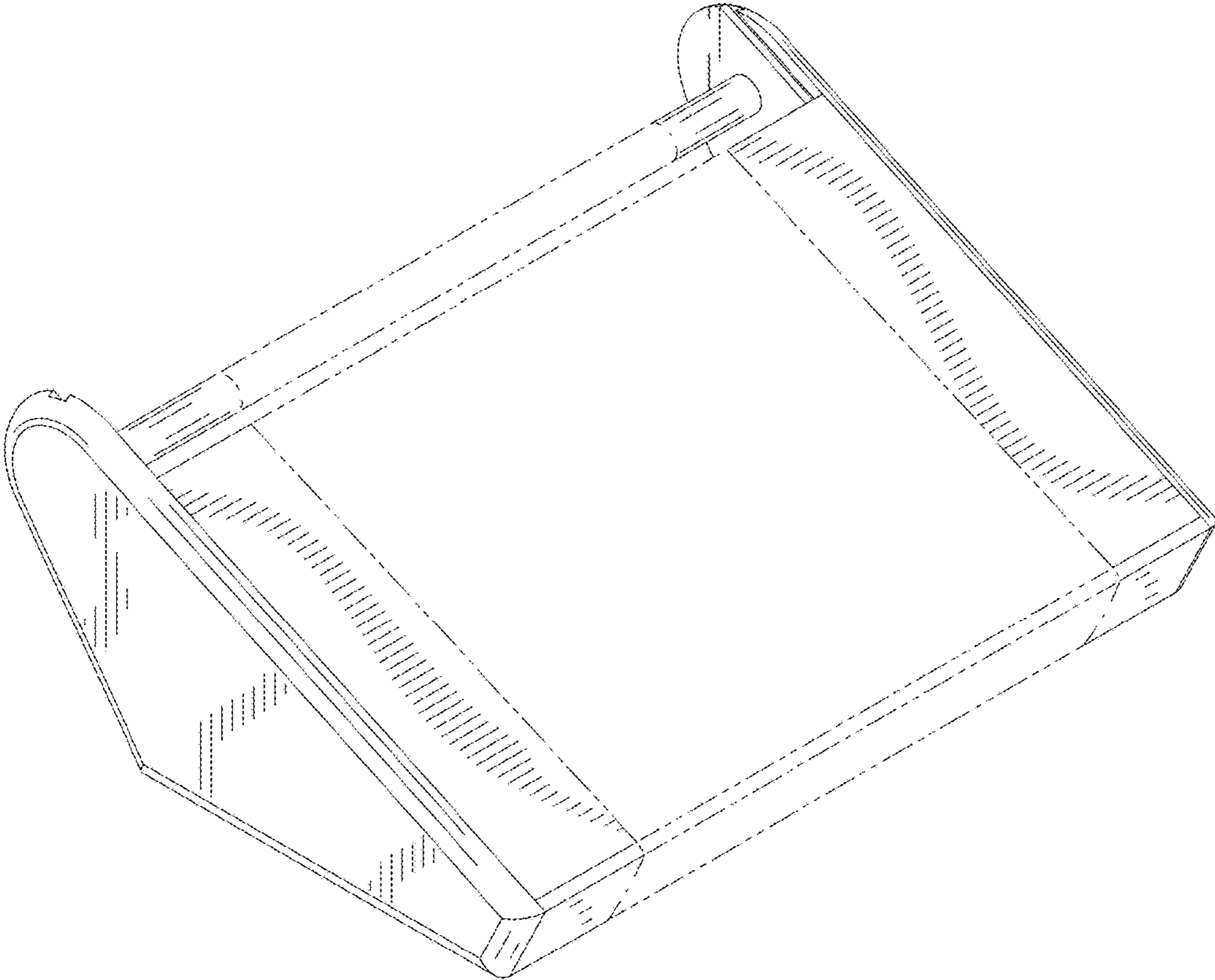


FIG. 1

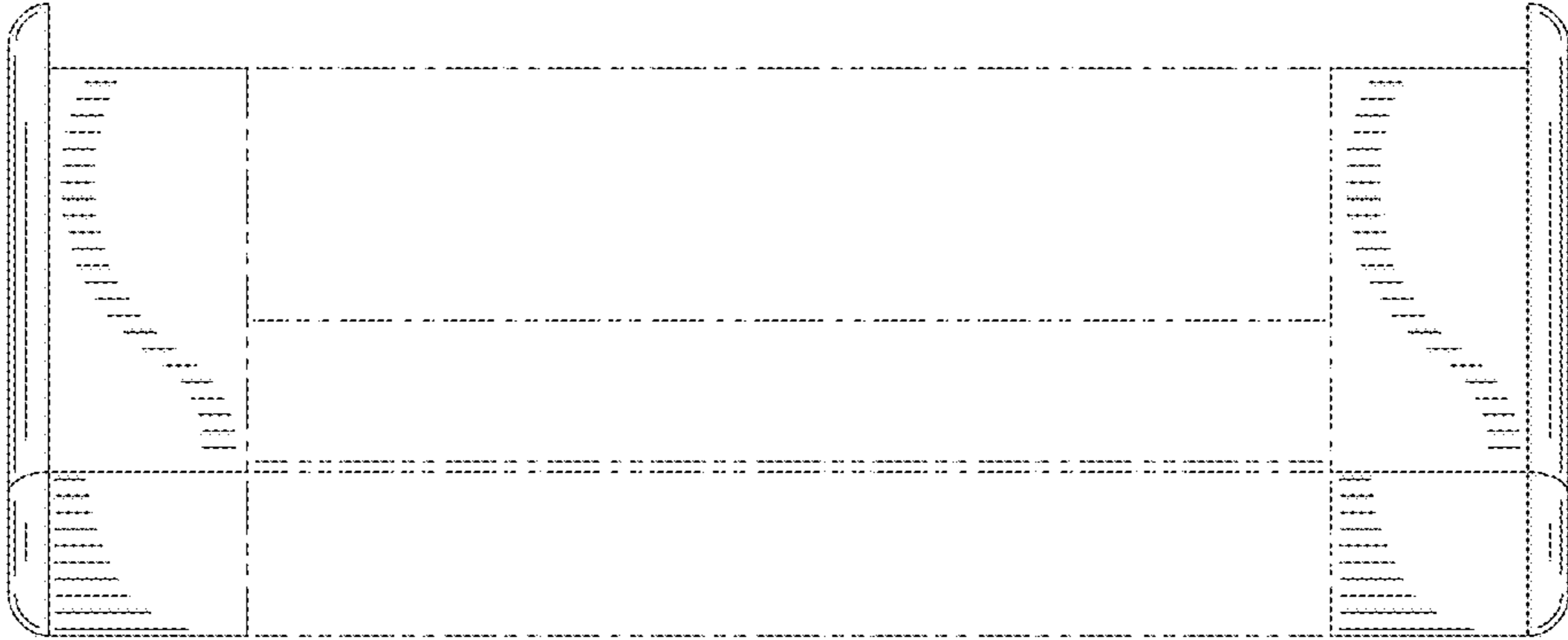


FIG. 2

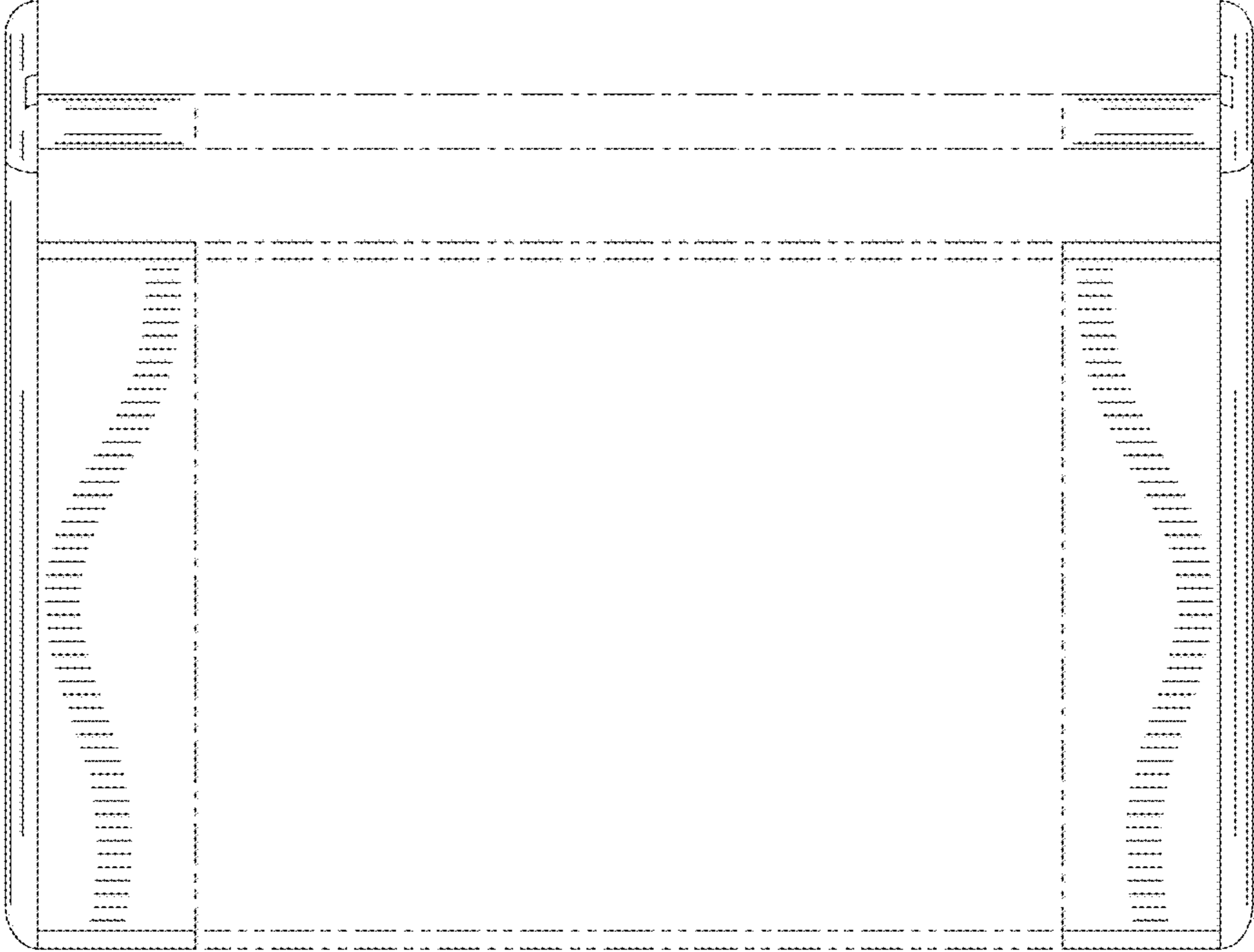


FIG. 3

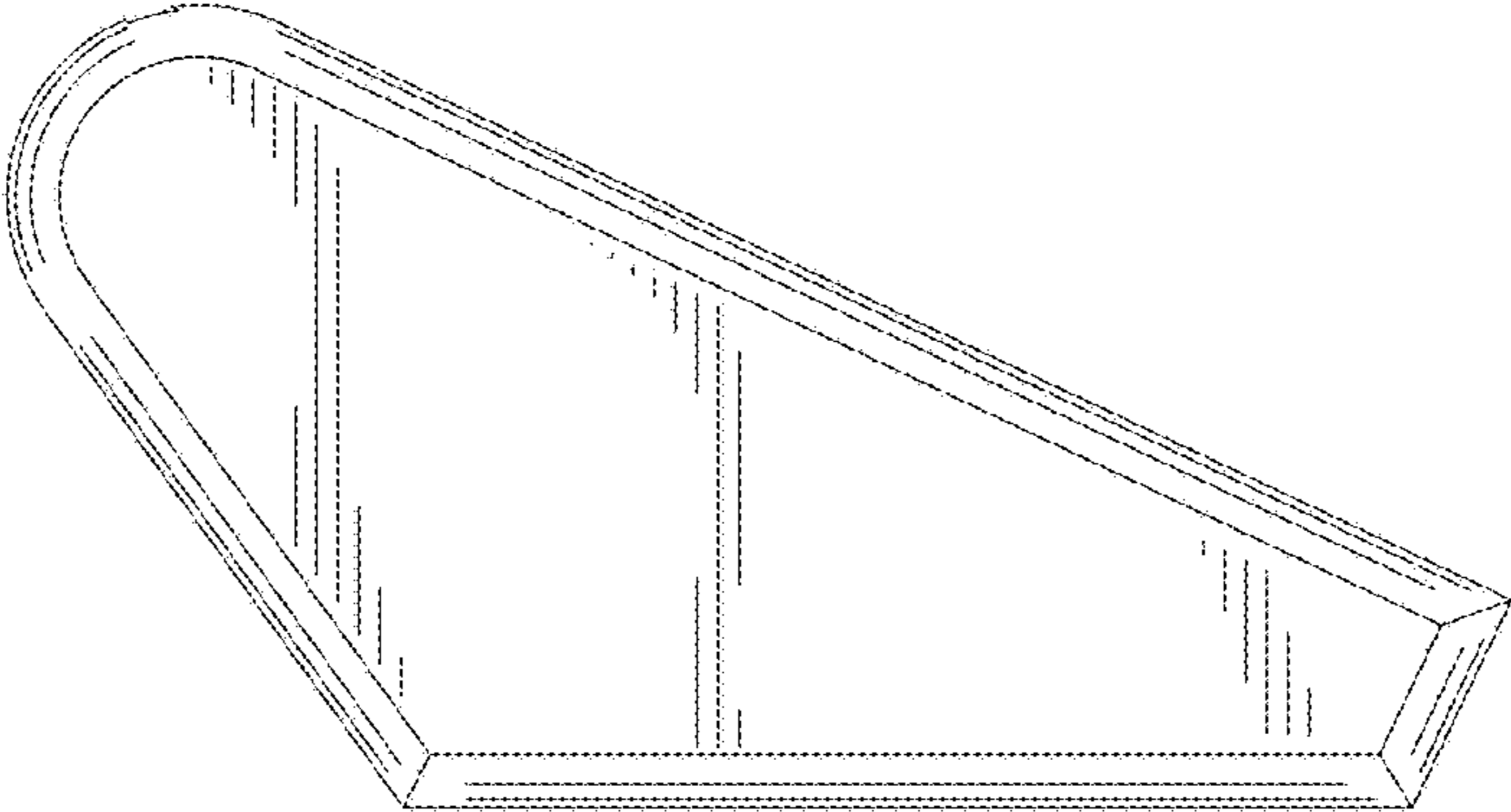


FIG. 4

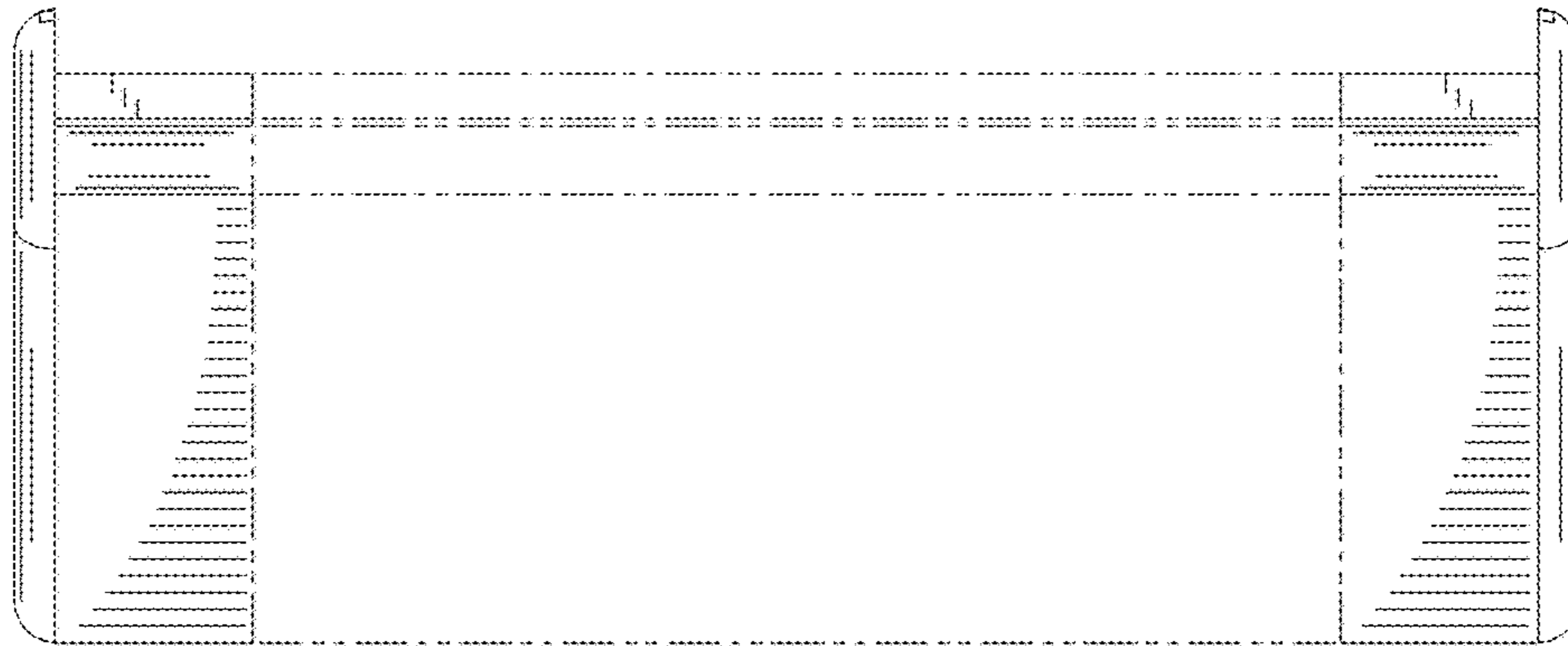


FIG. 5

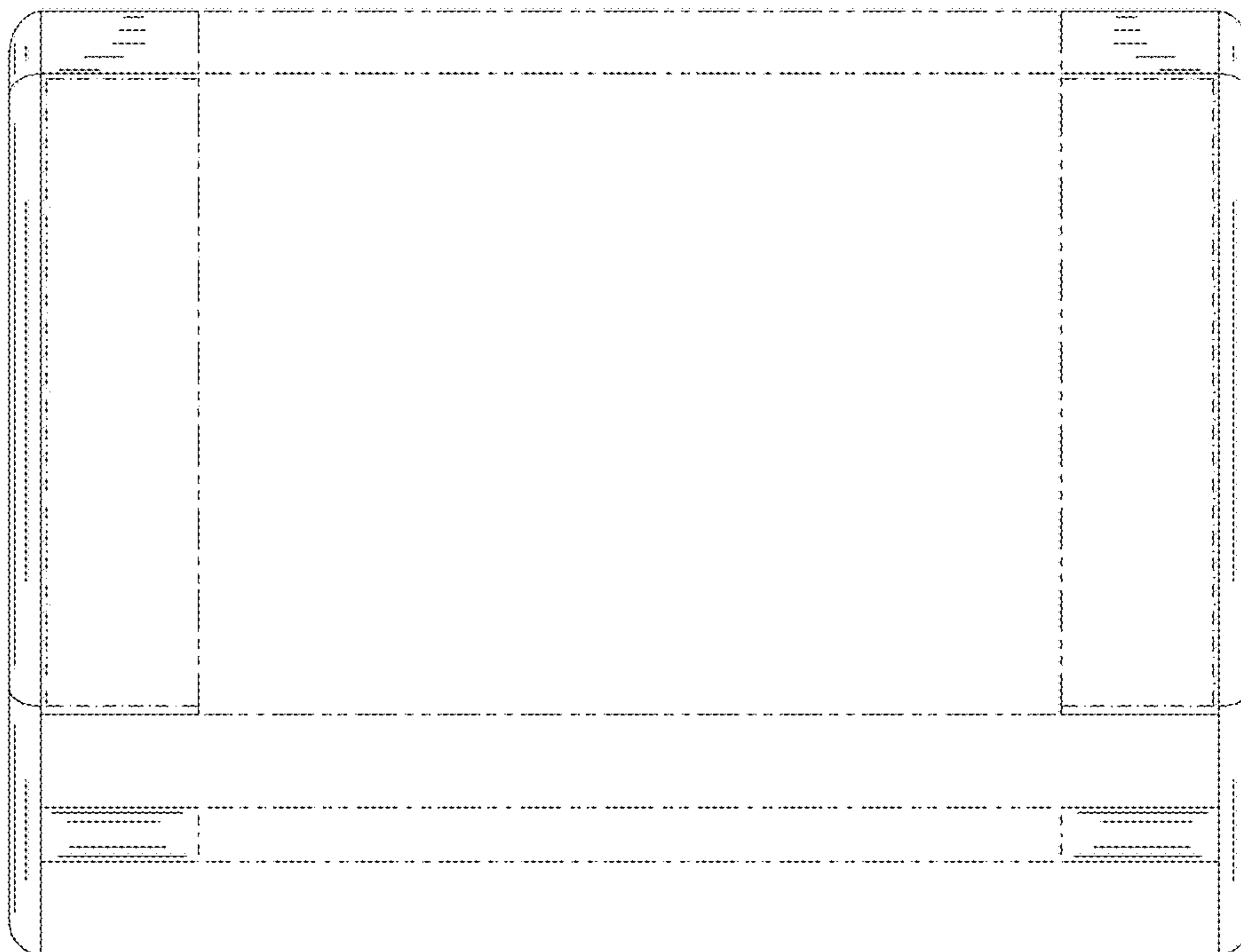


FIG. 6

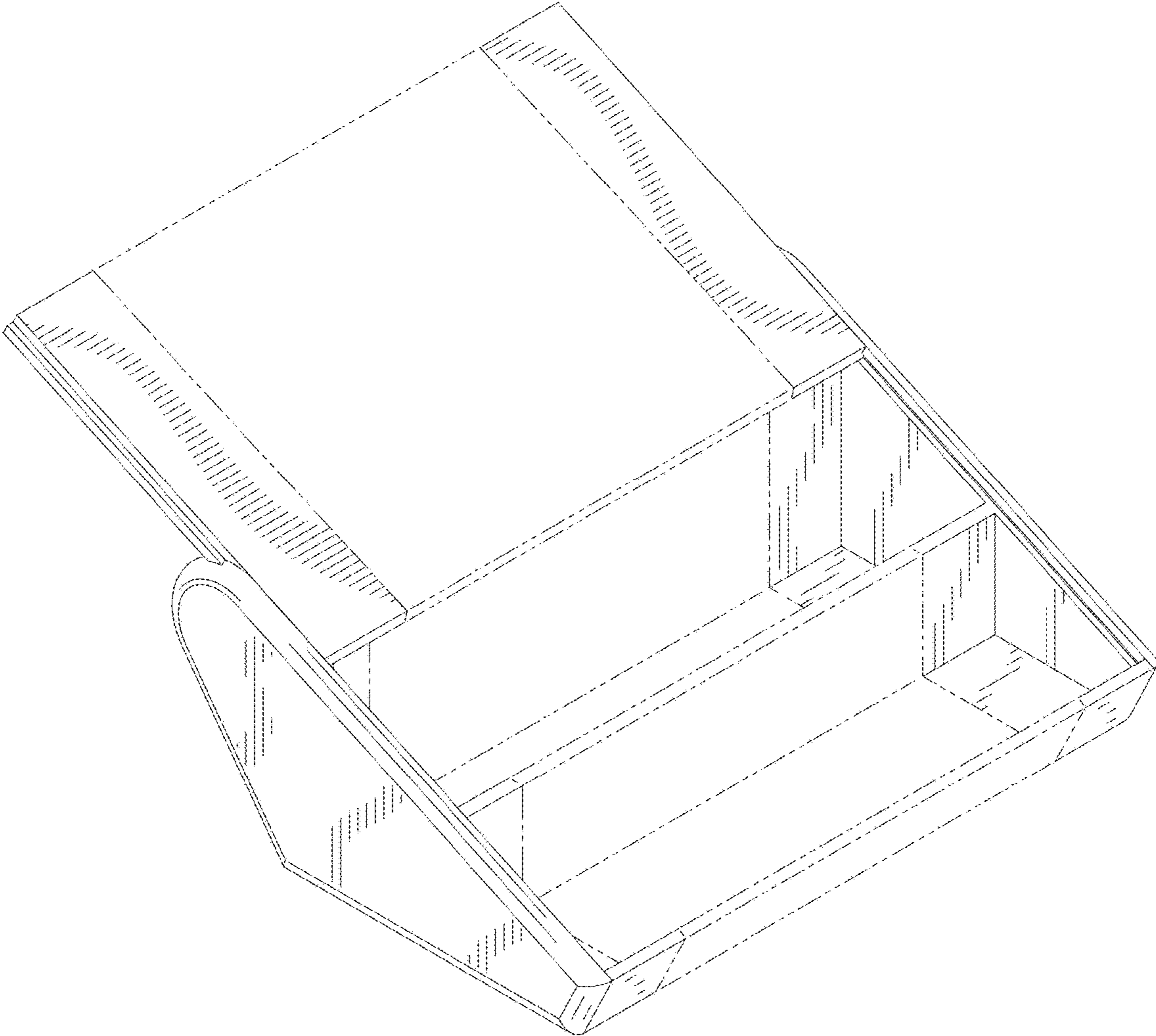


FIG.7