



US00D821750S

(12) **United States Design Patent** (10) **Patent No.:** **US D821,750 S**
Sander (45) **Date of Patent:** **** Jul. 3, 2018**

(54) **HANDBAG**

(71) Applicant: **Eastman Sporto Group, LLC**, New York, NY (US)

(72) Inventor: **Sandro Sander**, Dongguan (CN)

(73) Assignee: **EASTMAN SPORTO GROUP, LLC**, New York, NY (US)

(**) Term: **15 Years**

(21) Appl. No.: **29/593,345**

(22) Filed: **Feb. 8, 2017**

(51) **LOC (11) Cl.** **03-01**

(52) **U.S. Cl.**
USPC **D3/318**

(58) **Field of Classification Search**
USPC D3/232–233, 240–243, 245–246, 318
CPC A45C 1/024; A45C 3/06
See application file for complete search history.

(56) **References Cited**

U.S. PATENT DOCUMENTS

D630,844 S *	1/2011	Wang	D3/232
D725,900 S *	4/2015	McCue	D3/232
D726,407 S *	4/2015	Kuster	D3/232
D734,025 S *	7/2015	Sassi	D3/232
D758,717 S *	6/2016	Joo	D3/232
D761,018 S *	7/2016	Gamble	D3/245
D767,882 S *	10/2016	Javits, Jr.	D3/232
D767,887 S *	10/2016	Kim	D3/245
D768,378 S *	10/2016	Schilp	D3/232

* cited by examiner

Primary Examiner — Holly H Baynham

(74) *Attorney, Agent, or Firm* — Arent Fox LLP

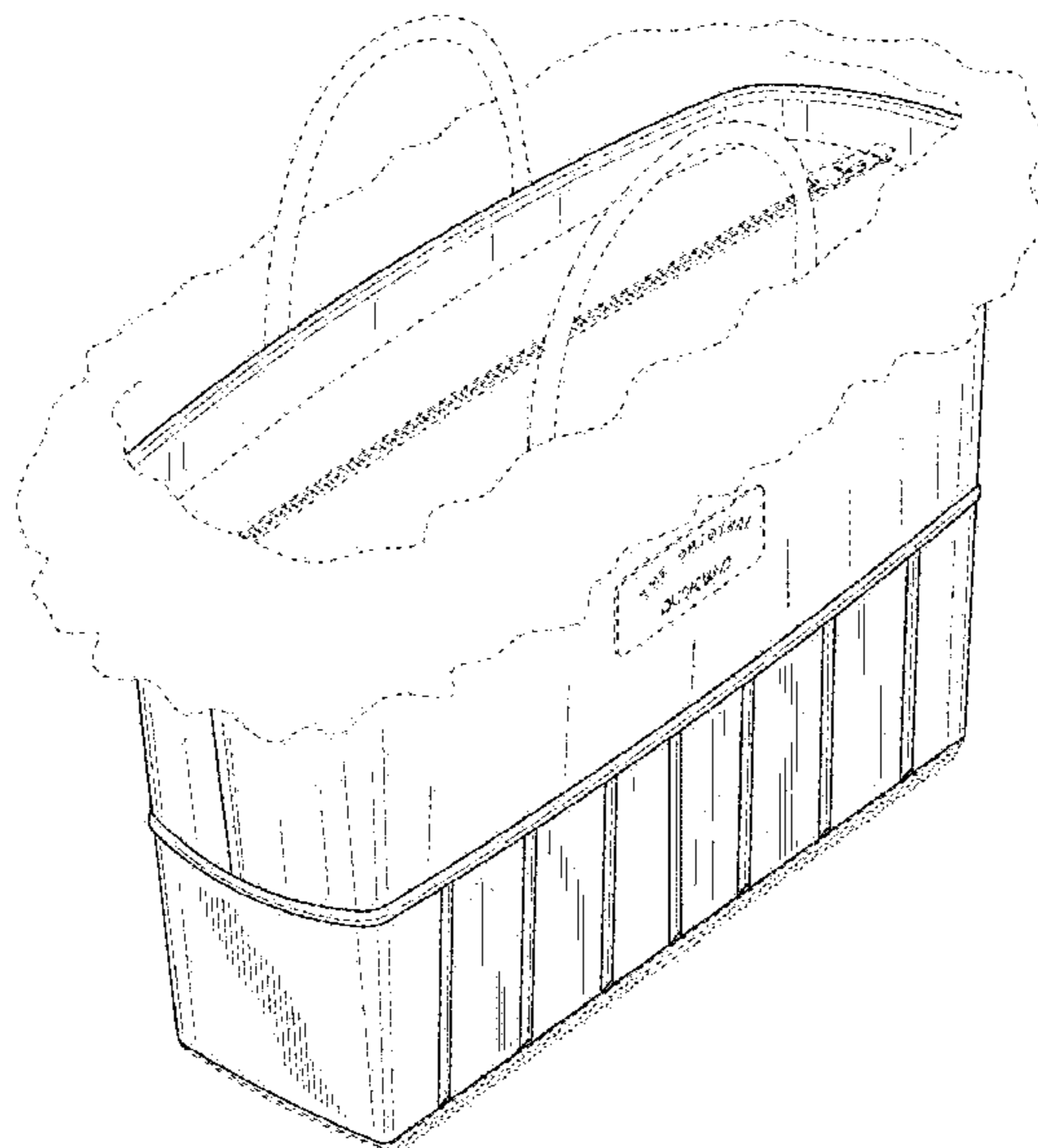
(57) **CLAIM**

The ornamental design for a handbag, as shown and described.

DESCRIPTION

FIG. 1 is a perspective right front view of a first embodiment of a handbag showing my new design;
 FIG. 2 is a front view of the handbag shown in FIG. 1;
 FIG. 3 is a rear view of the handbag shown in FIG. 1;
 FIG. 4 is a right side view of the handbag shown in FIG. 1;
 FIG. 5 is a left side view of the handbag shown in FIG. 1;
 FIG. 6 is a top view of the handbag shown in FIG. 1;
 FIG. 7 is a bottom view of the handbag shown in FIG. 1;
 FIG. 8 is a perspective right front view of a second embodiment of a handbag showing my new design;
 FIG. 9 is a front view of the handbag shown in FIG. 8;
 FIG. 10 is a rear view of the handbag shown in FIG. 8;
 FIG. 11 is a right side view of the handbag shown in FIG. 8;
 FIG. 12 is a left side view of the handbag shown in FIG. 8;
 FIG. 13 is a top view of the handbag shown in FIG. 8;
 FIG. 14 is a bottom view of the handbag shown in FIG. 8;
 FIG. 15 is a perspective right front view of a third embodiment of a handbag showing my new design;
 FIG. 16 is a front view of the handbag shown in FIG. 15;
 FIG. 17 is a rear view of the handbag shown in FIG. 15;
 FIG. 18 is a right side view of the handbag shown in FIG. 15;
 FIG. 19 is a left side view of the handbag shown in FIG. 15;
 FIG. 20 is a top view of the handbag shown in FIG. 15; and,
 FIG. 21 is a bottom view of the handbag shown in FIG. 15.
 The portion of the broken lines immediately adjacent the shading represents the bounds of the claim and the remaining broken lines represent an inserted. All the lines for the purposes of illustrating environment and form no part of the claimed design.

1 Claim, 18 Drawing Sheets



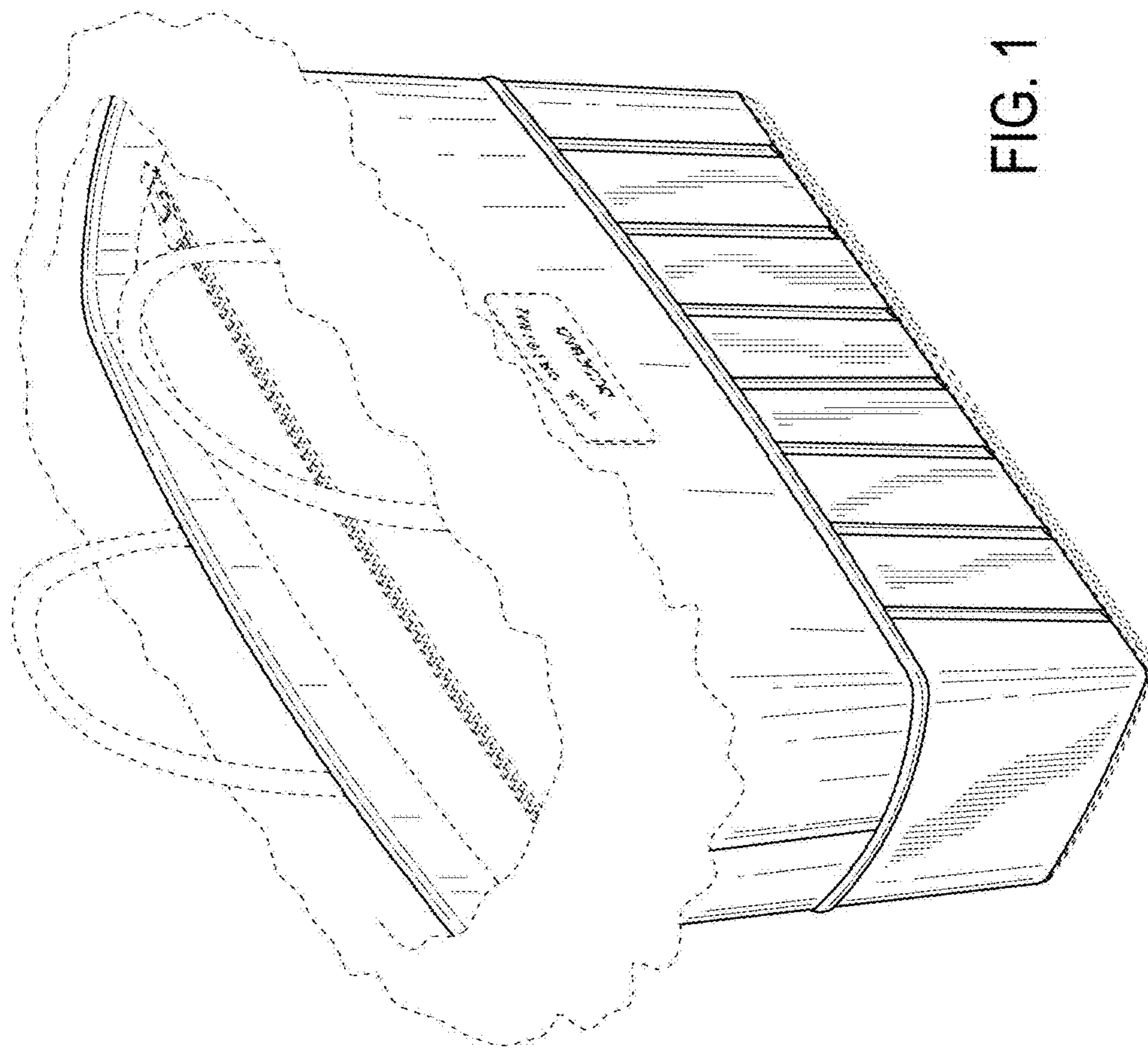


FIG. 1

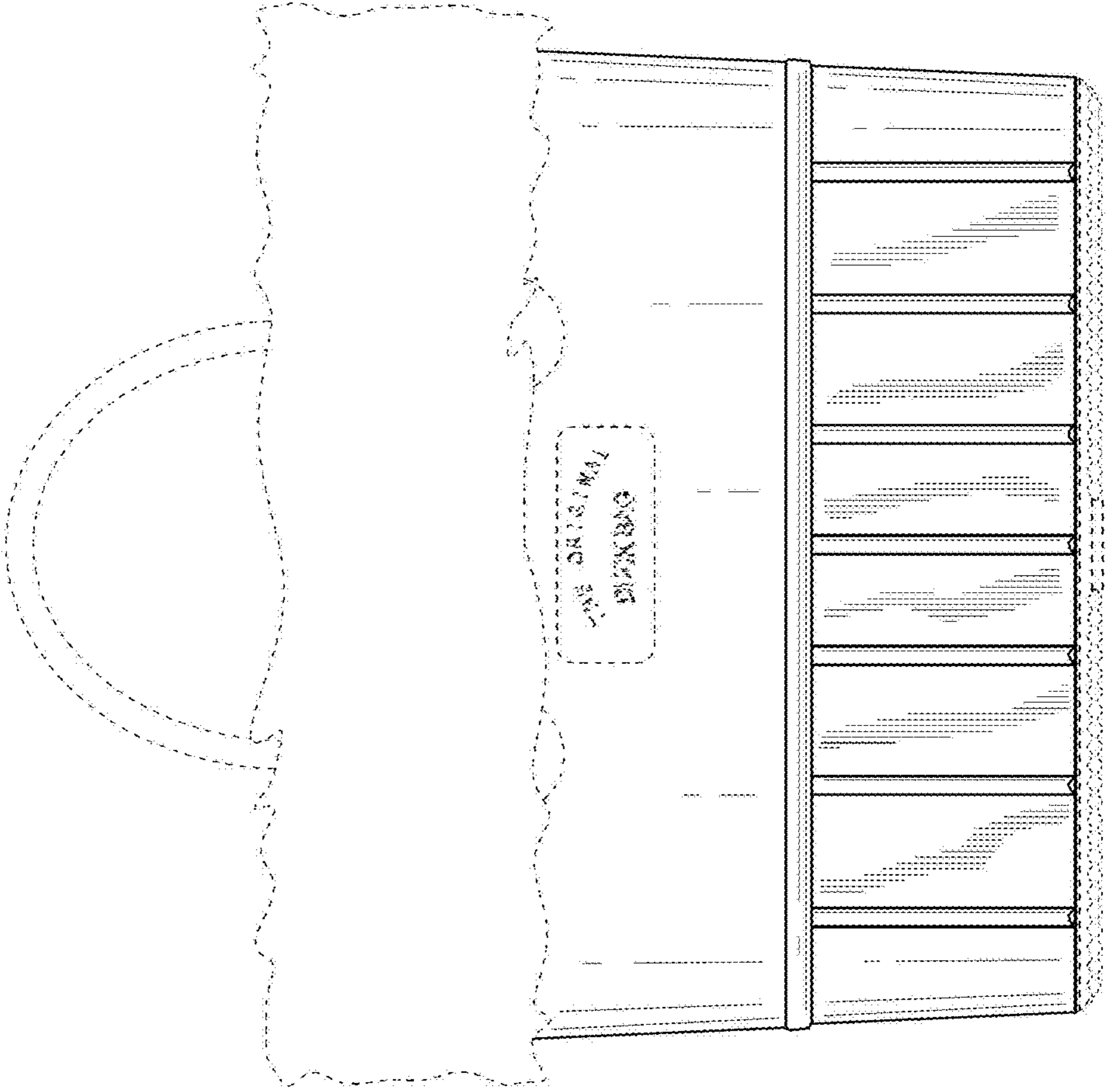


FIG. 2

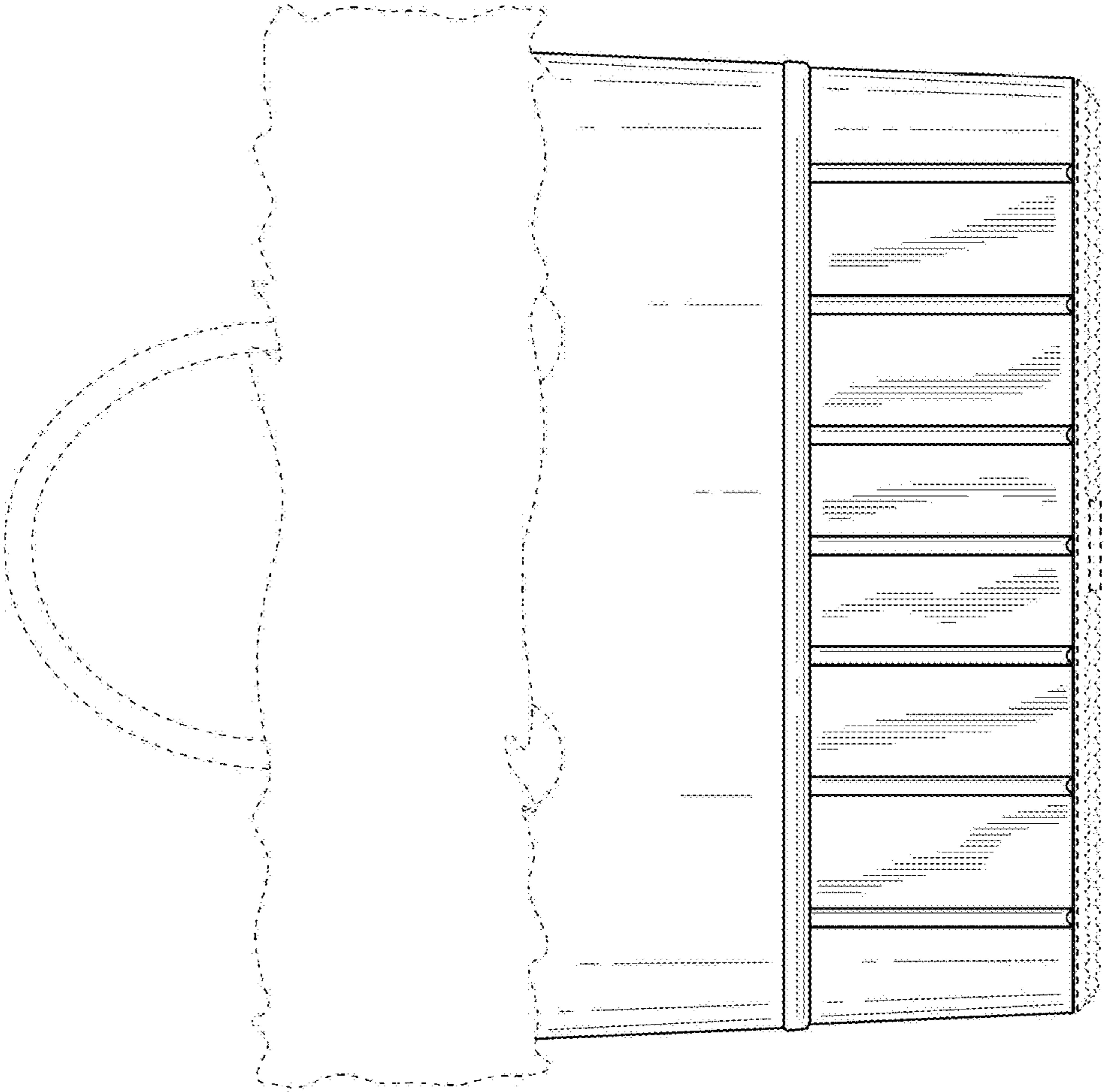


FIG. 3

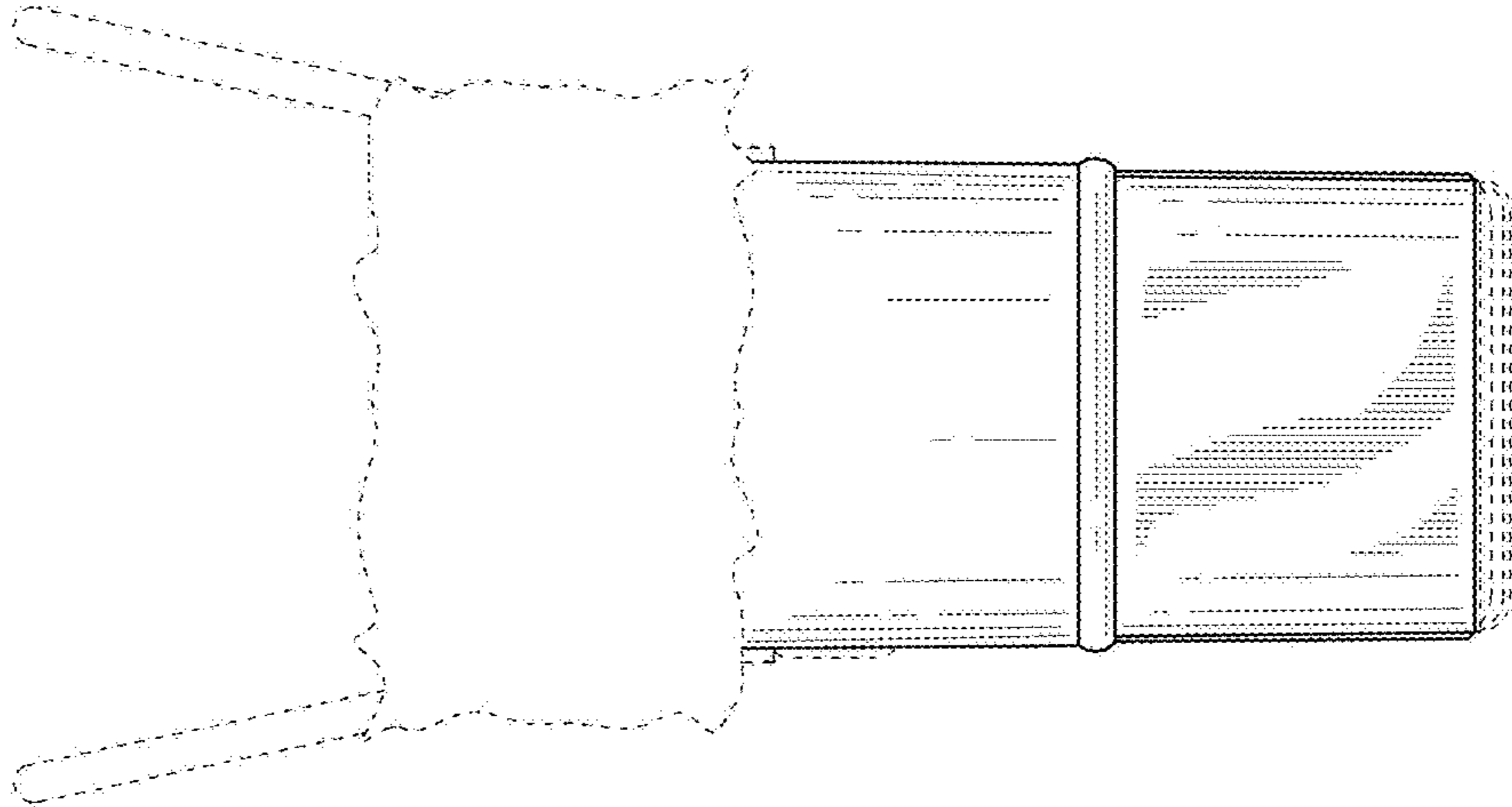


FIG. 5

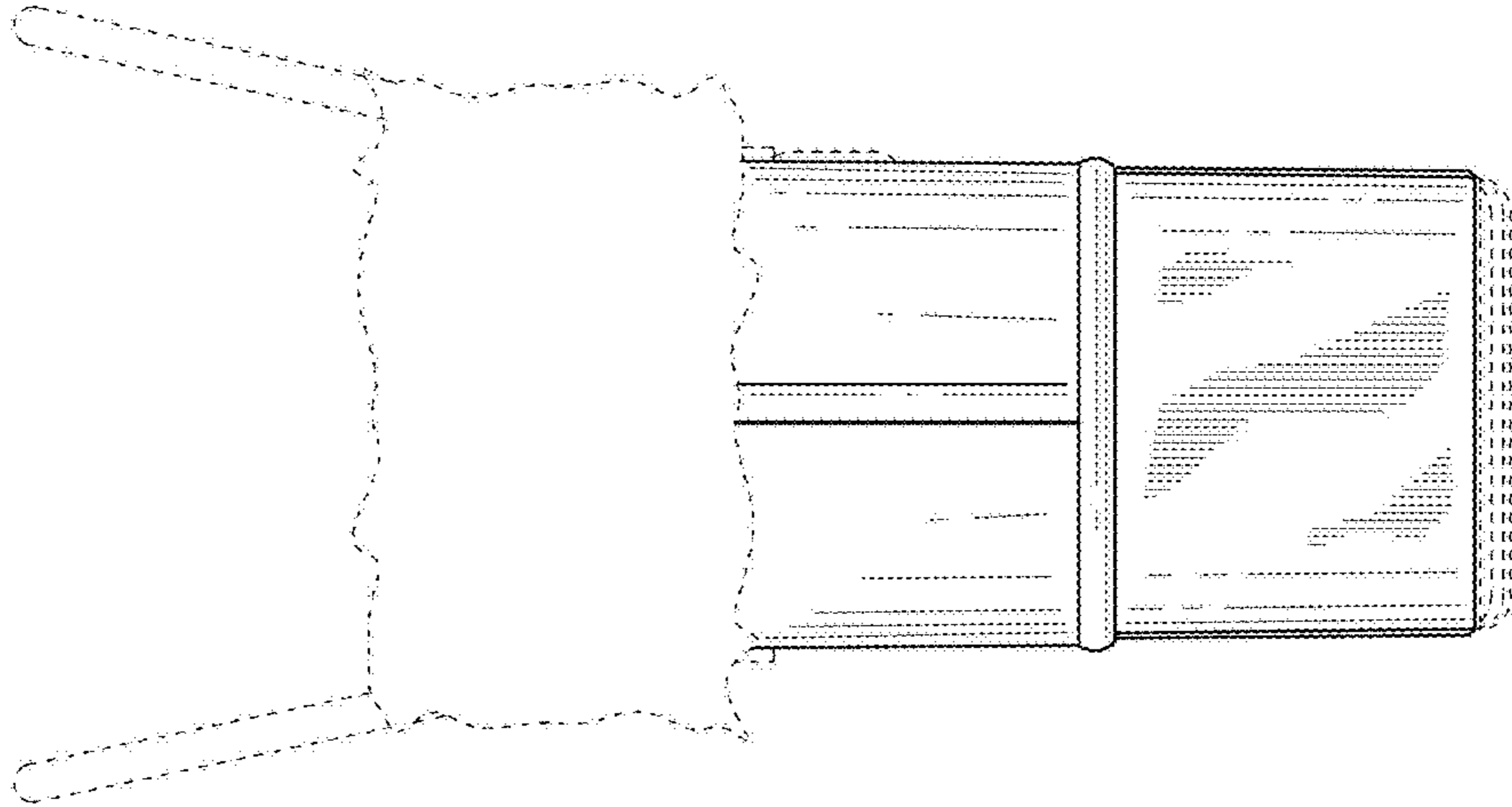


FIG. 4

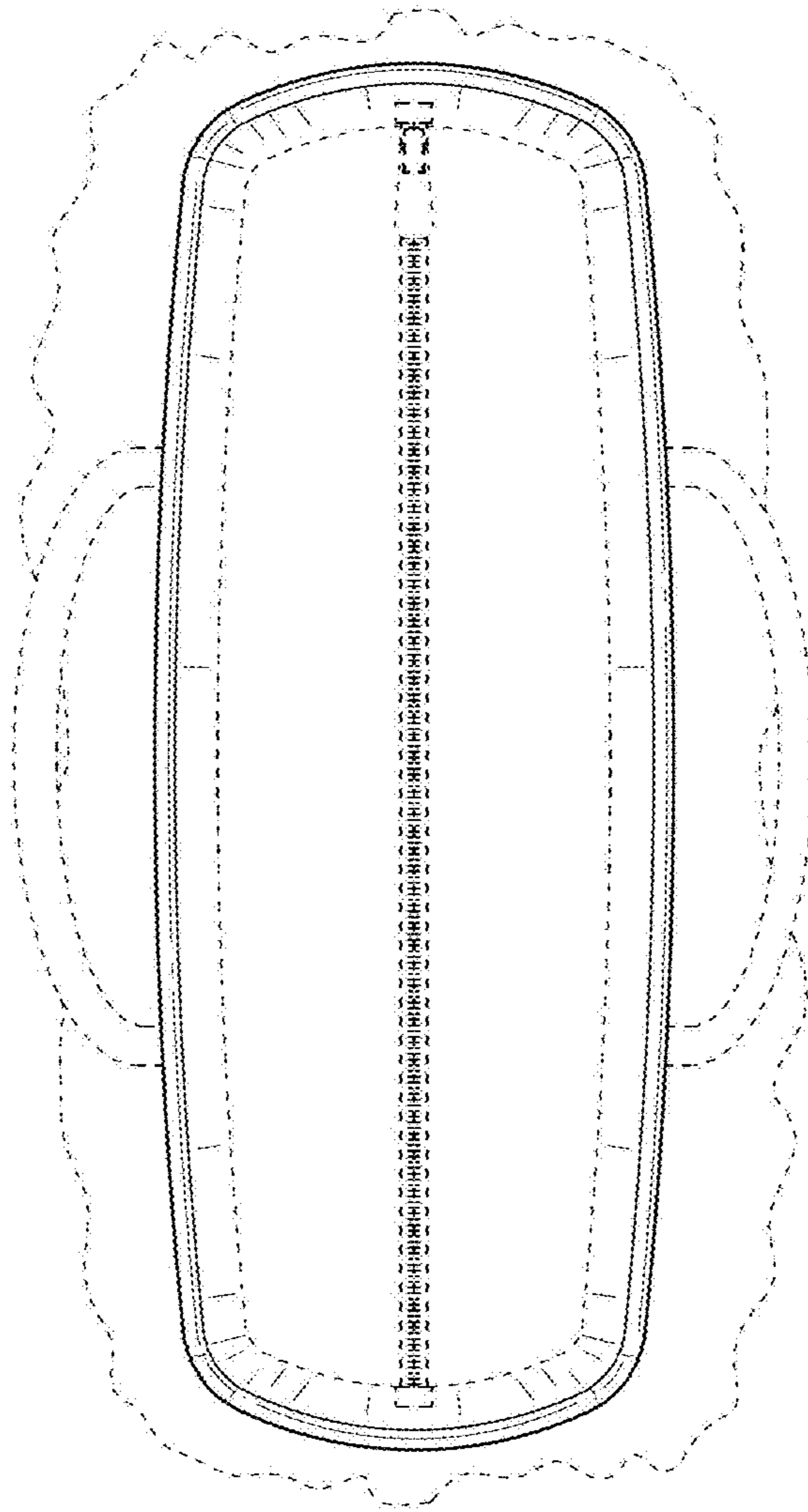


FIG. 6

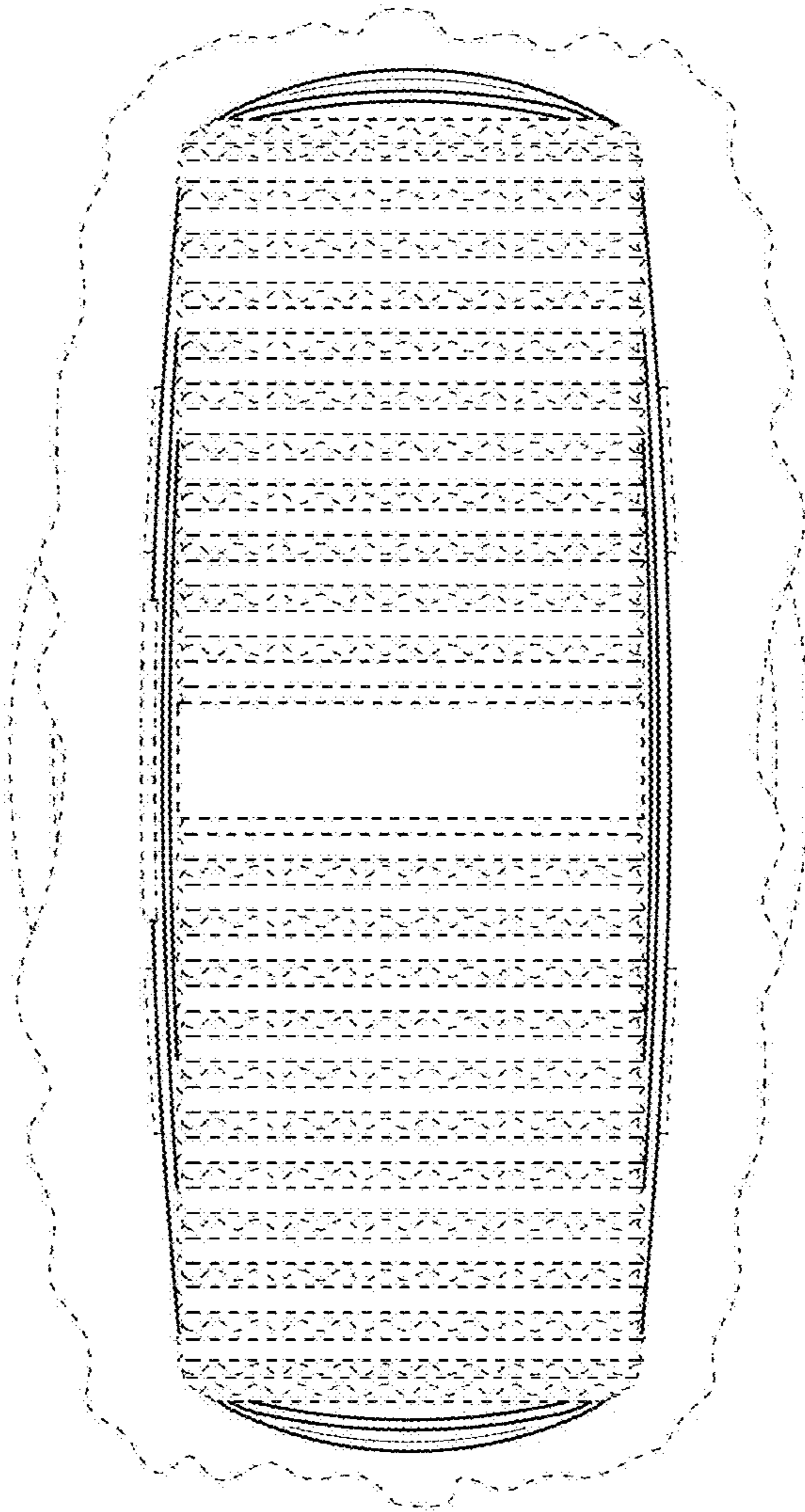


FIG. 7

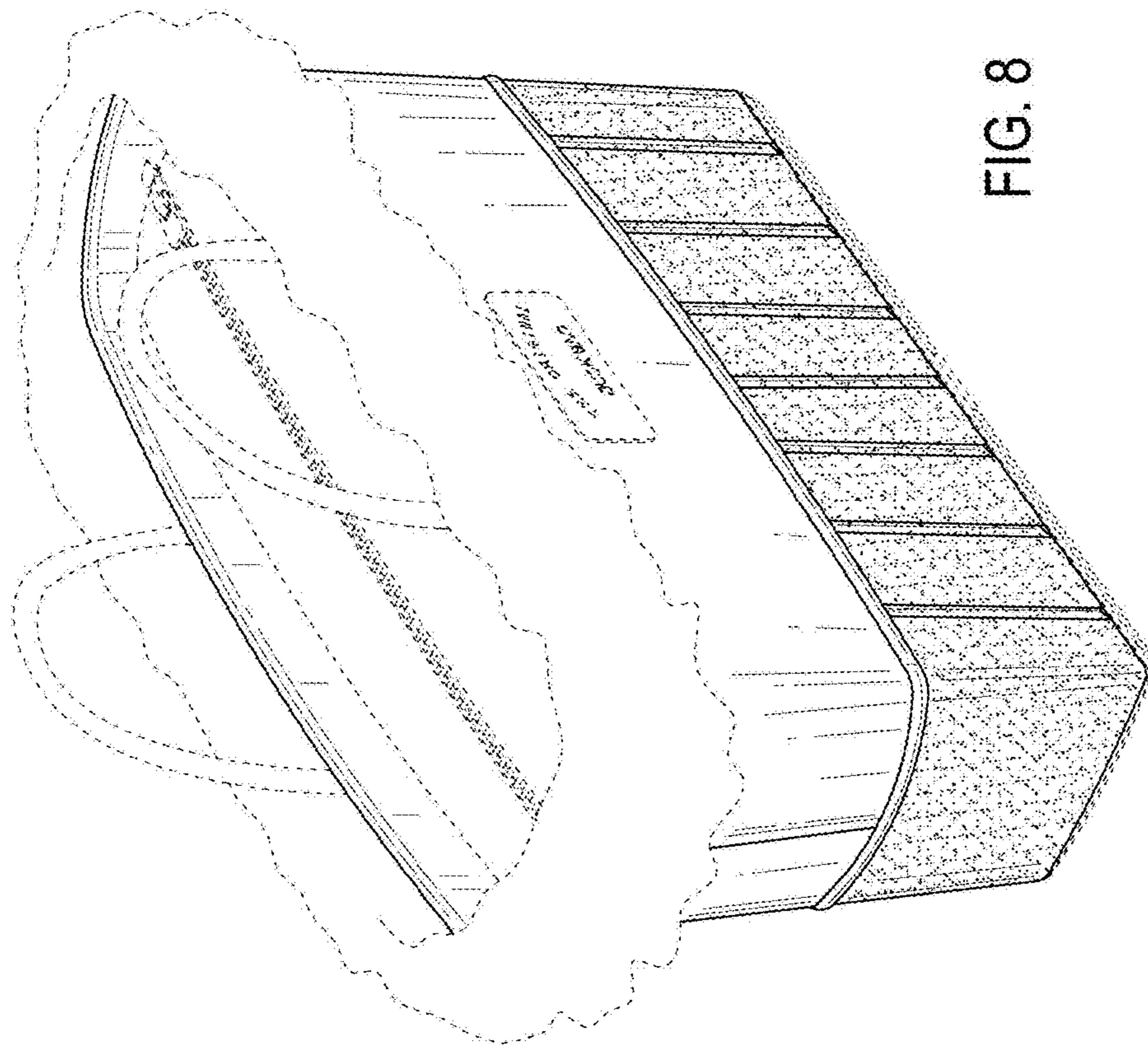


FIG. 8

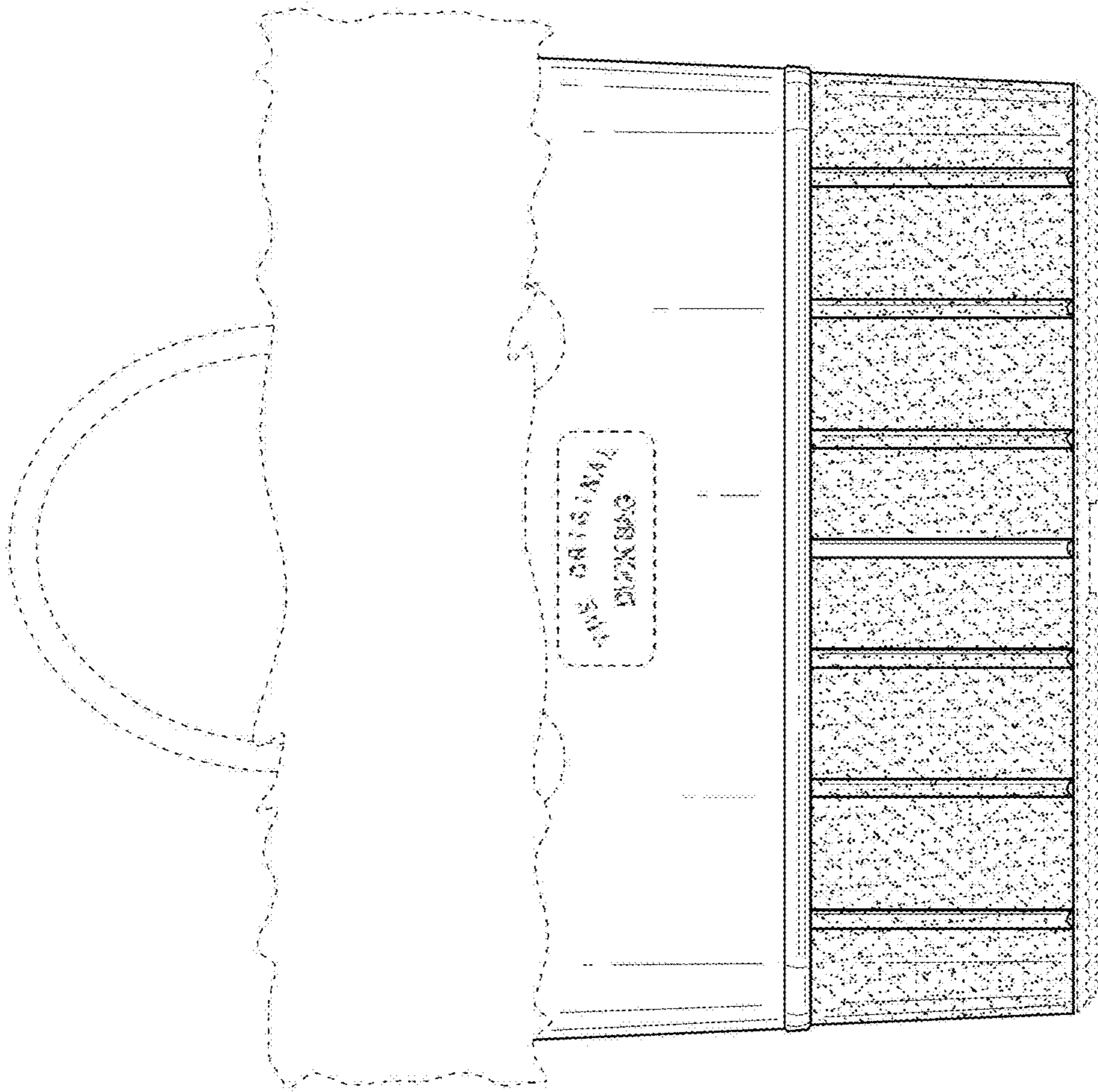


FIG. 9

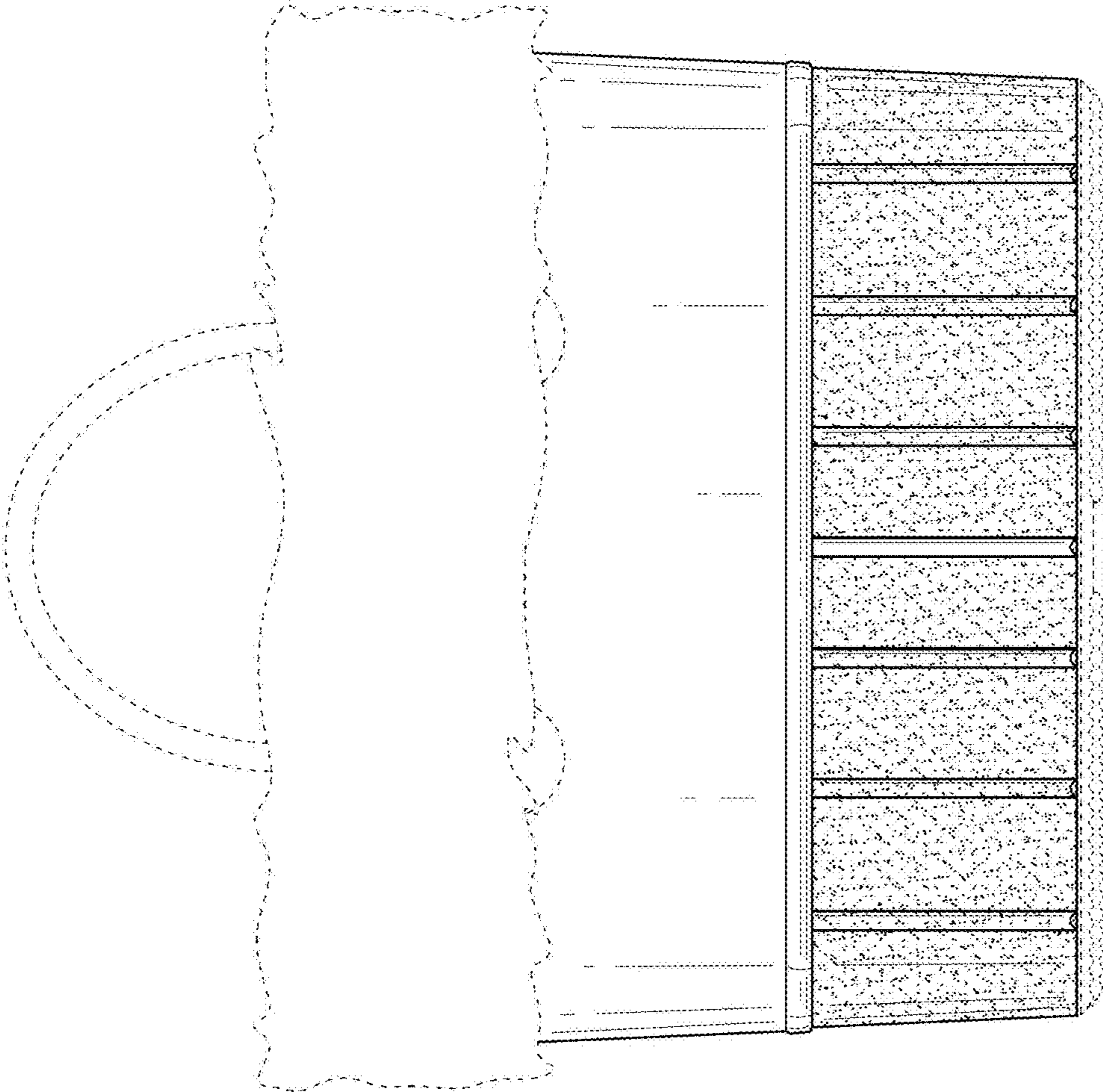


FIG. 10

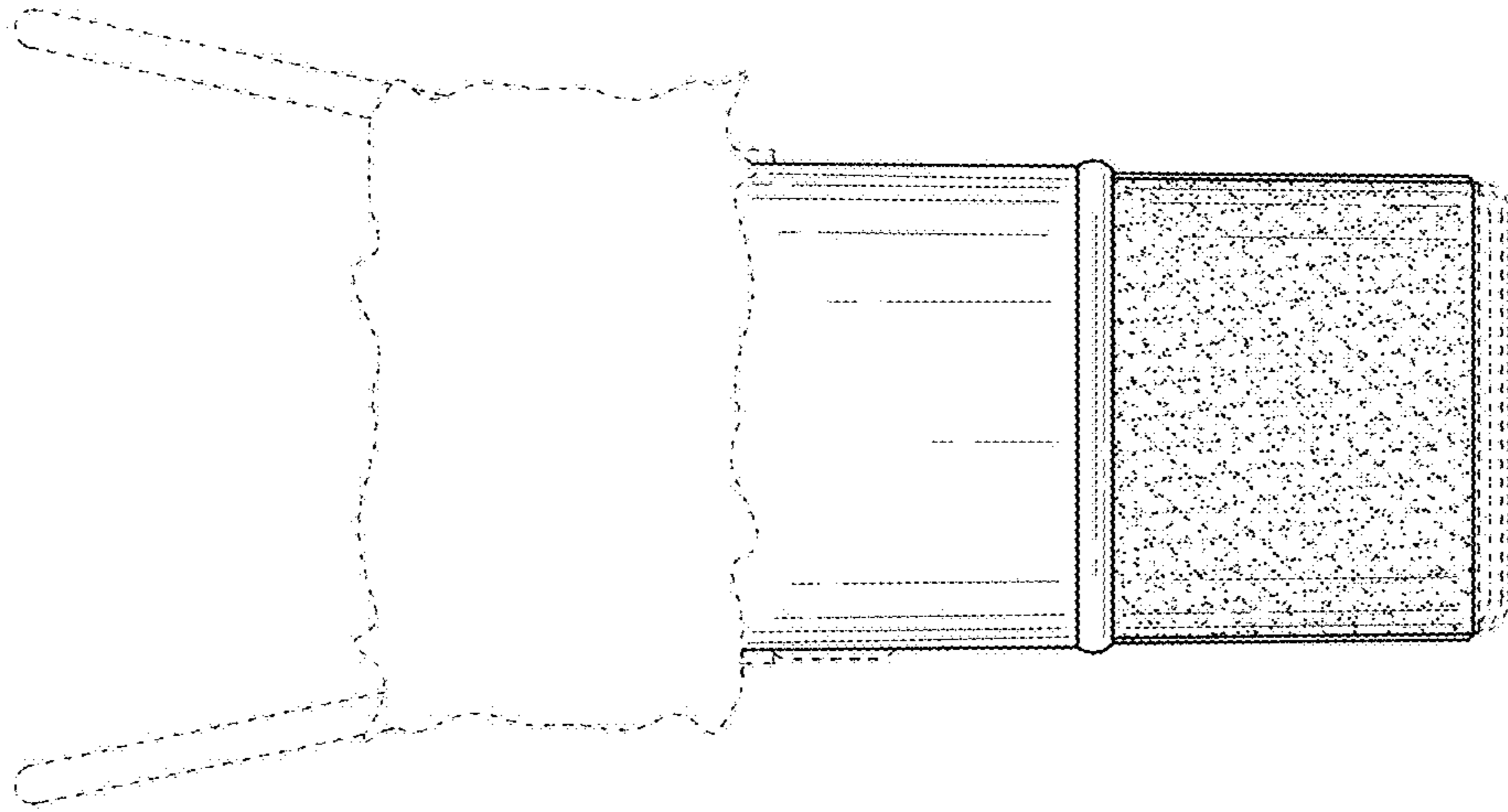


FIG. 12

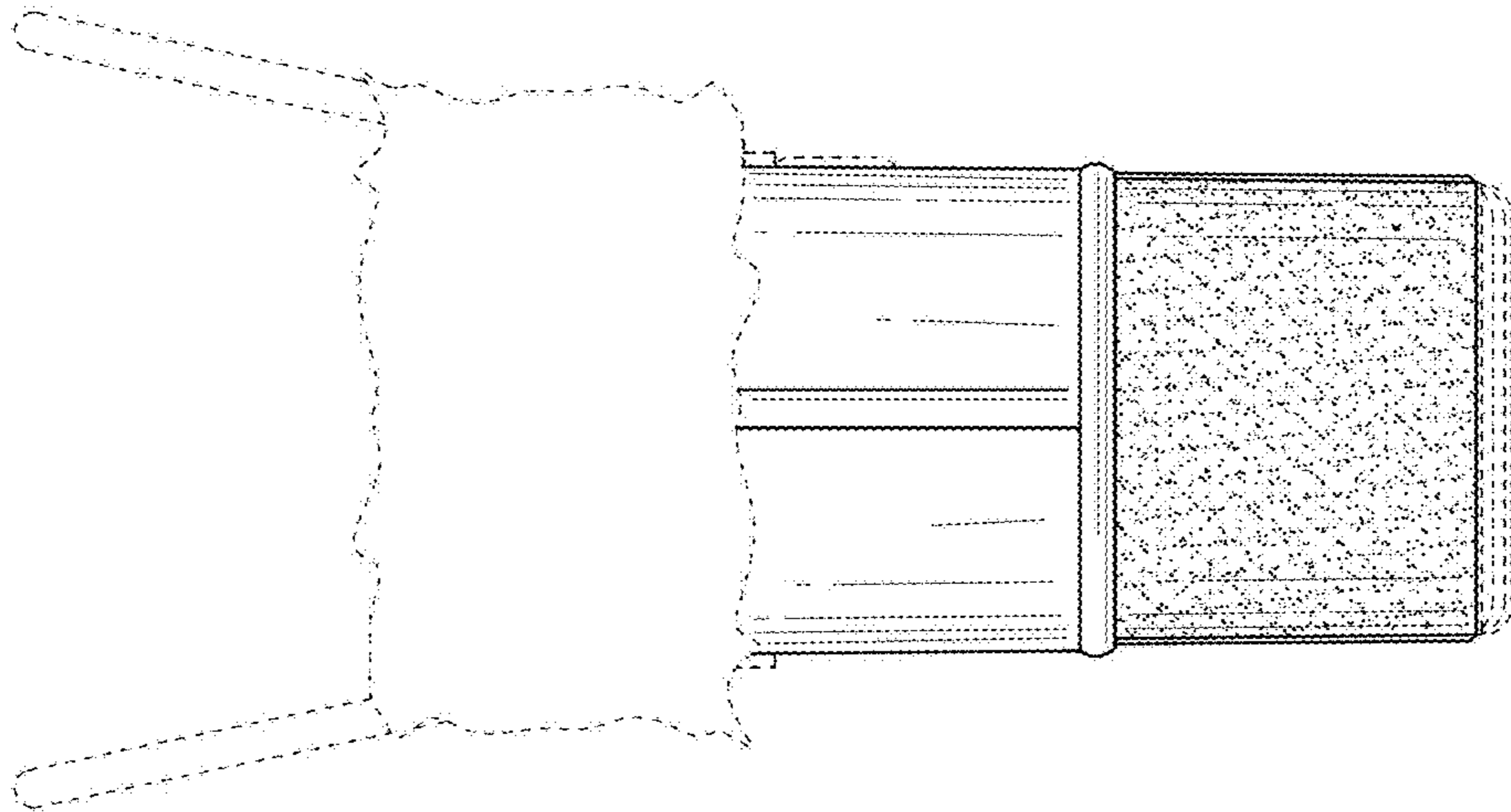


FIG. 11

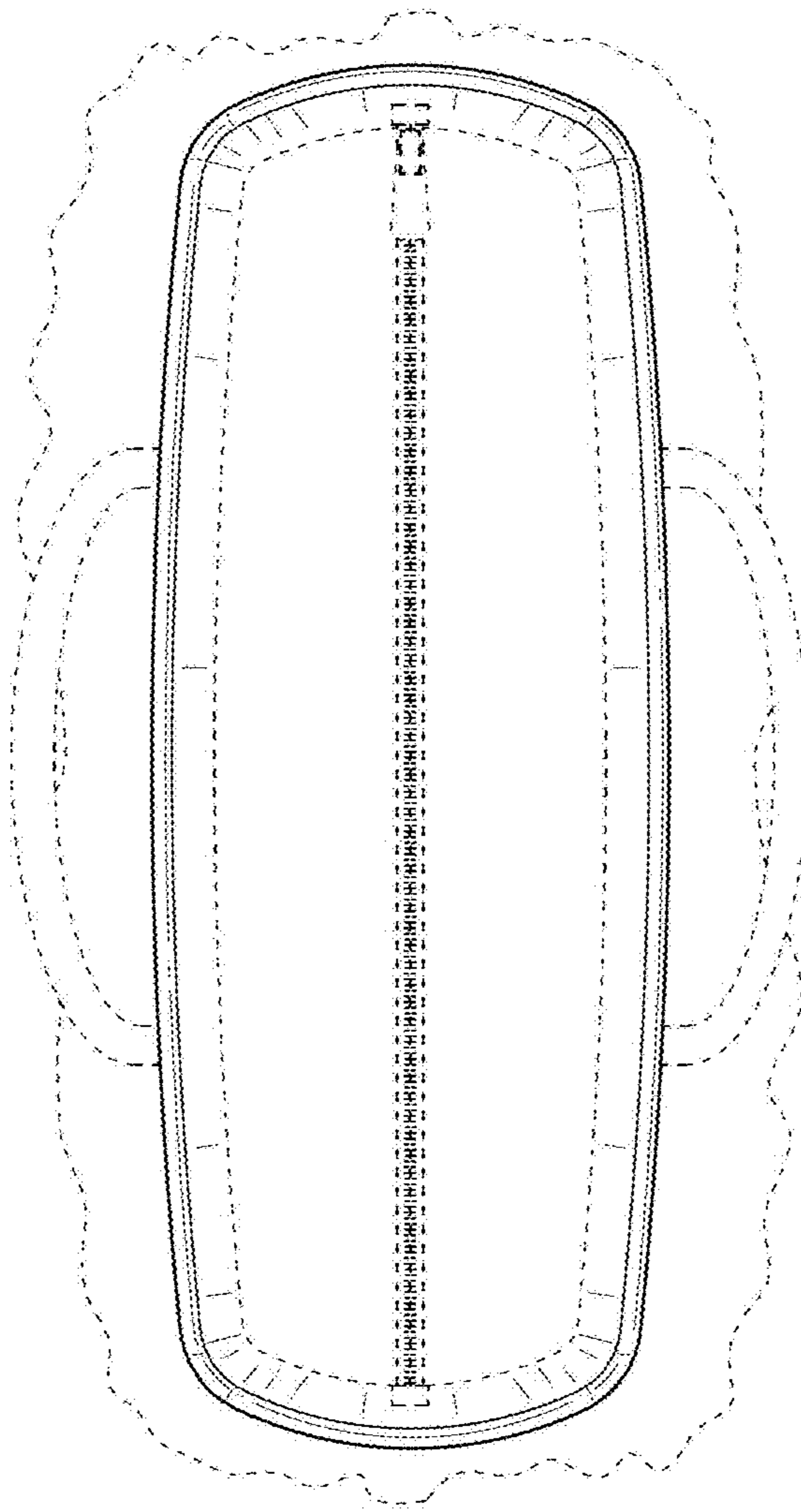


FIG. 13

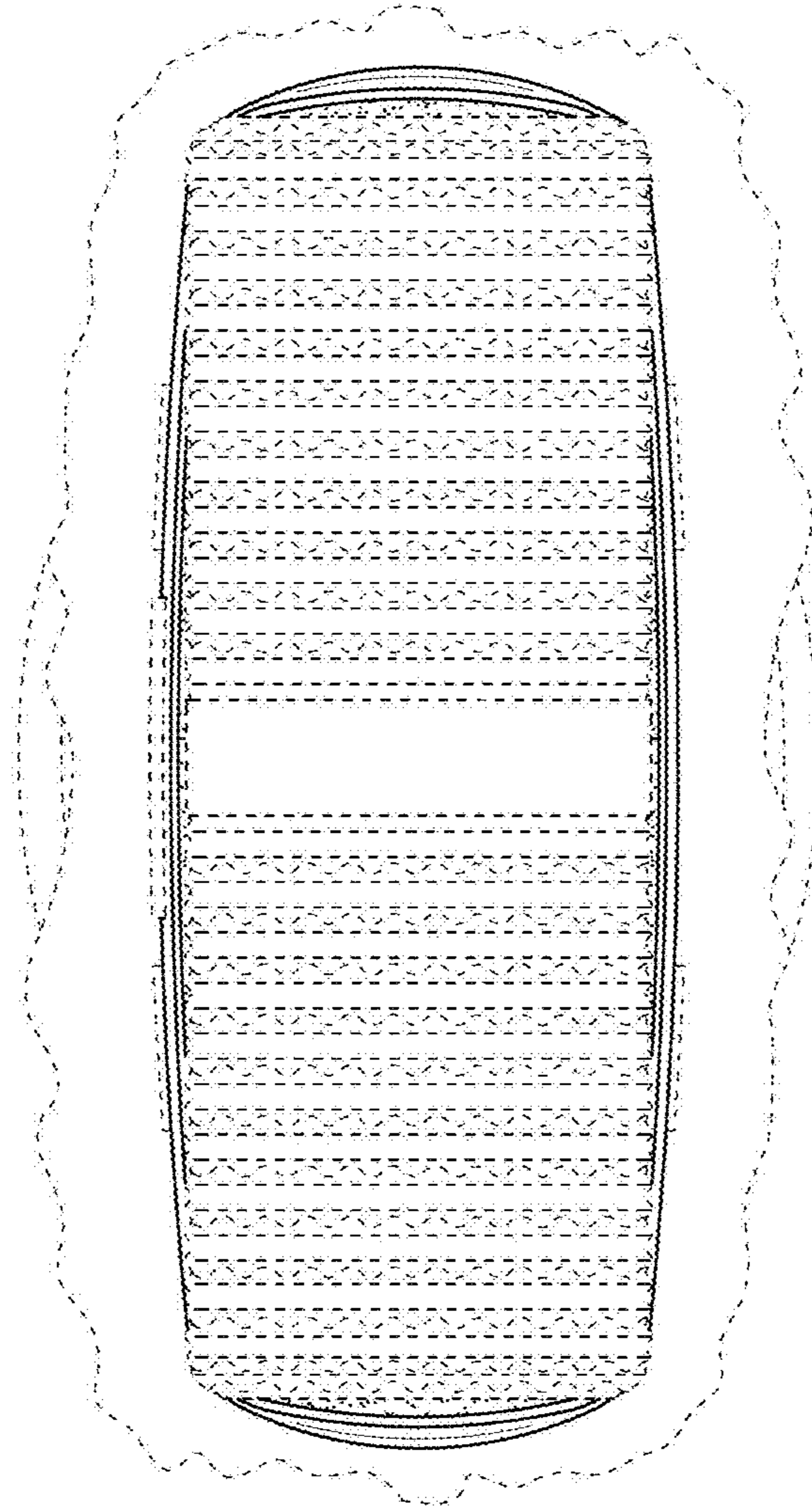


FIG. 14

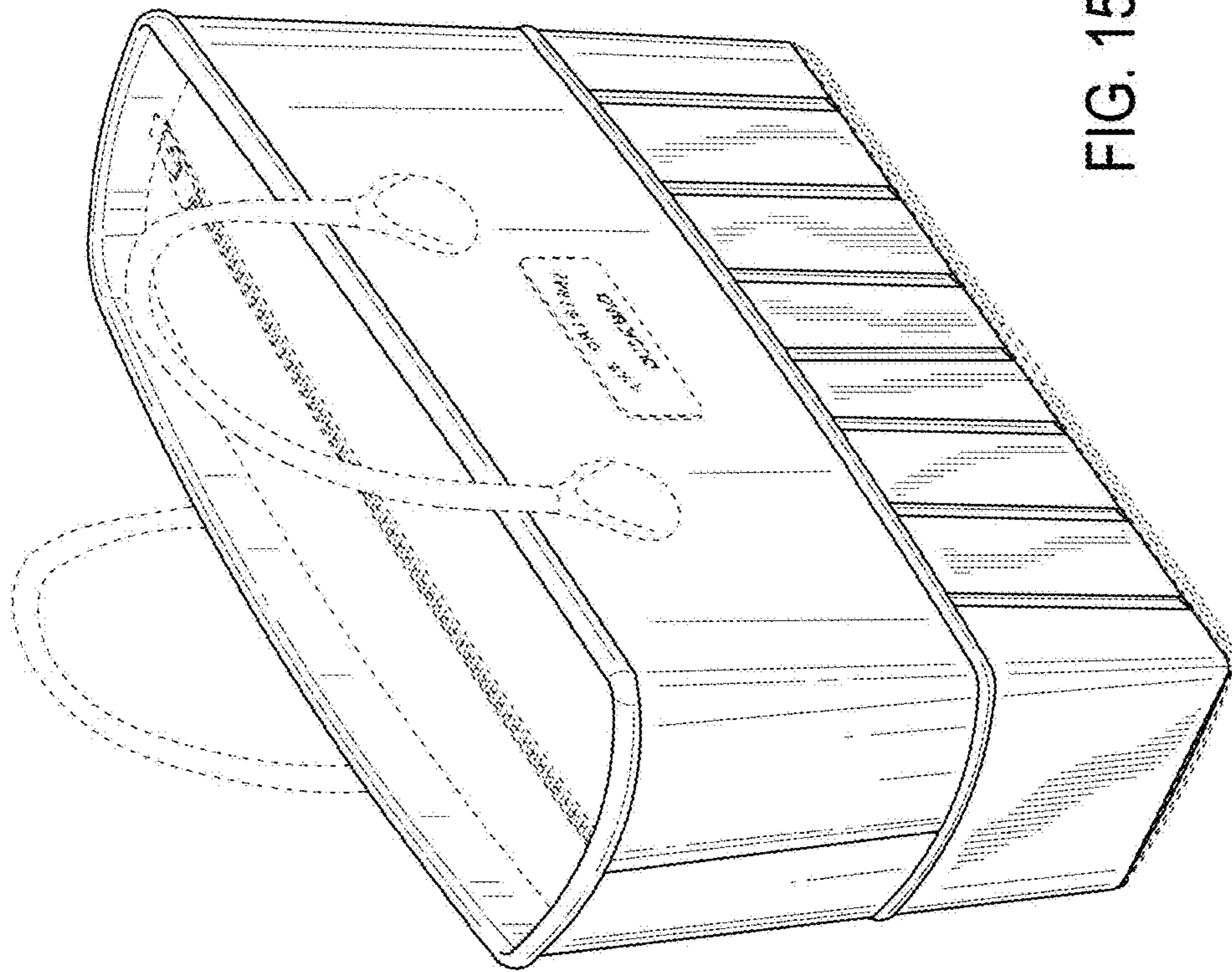


FIG. 15

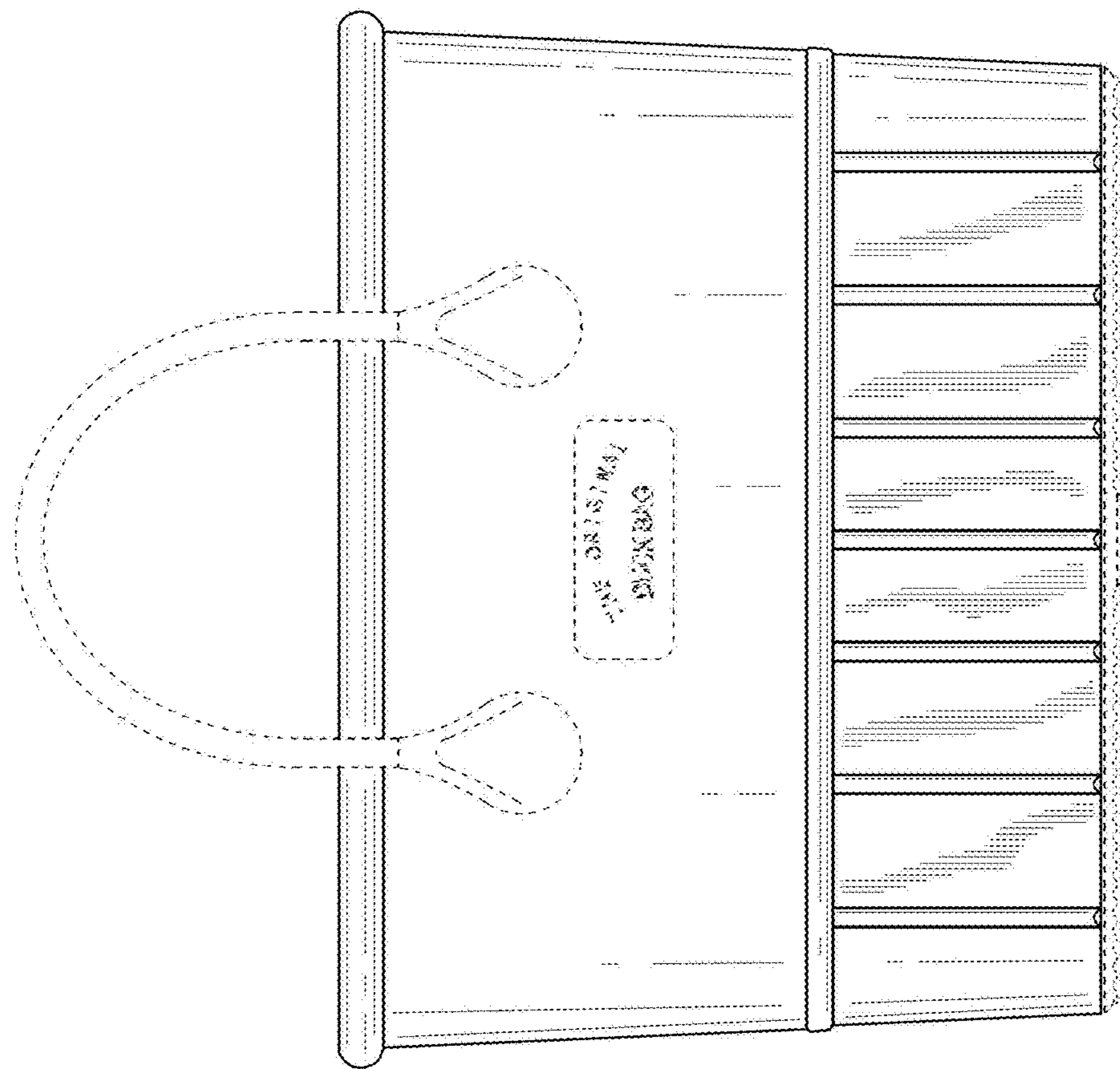


FIG. 16

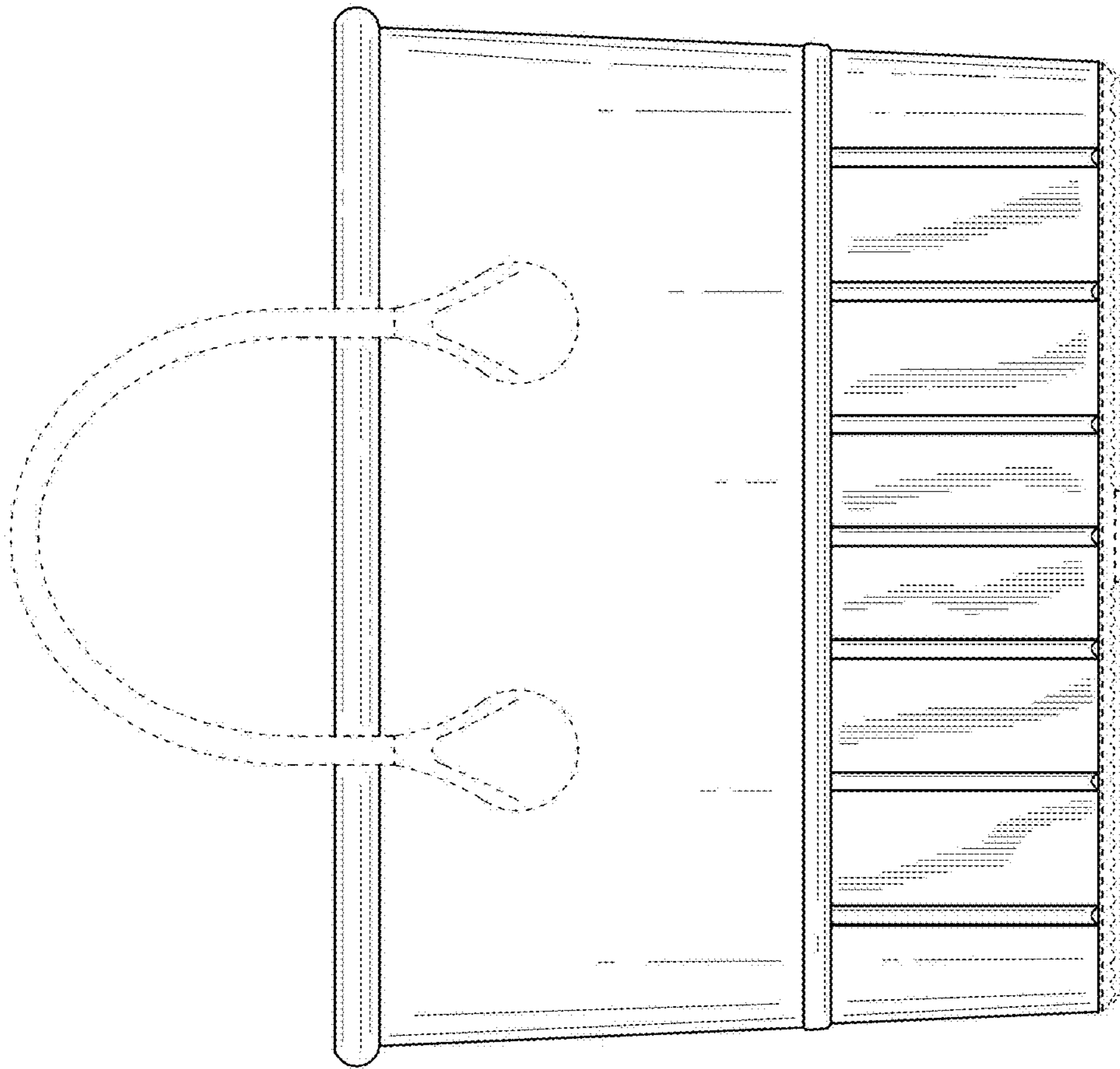


FIG. 17

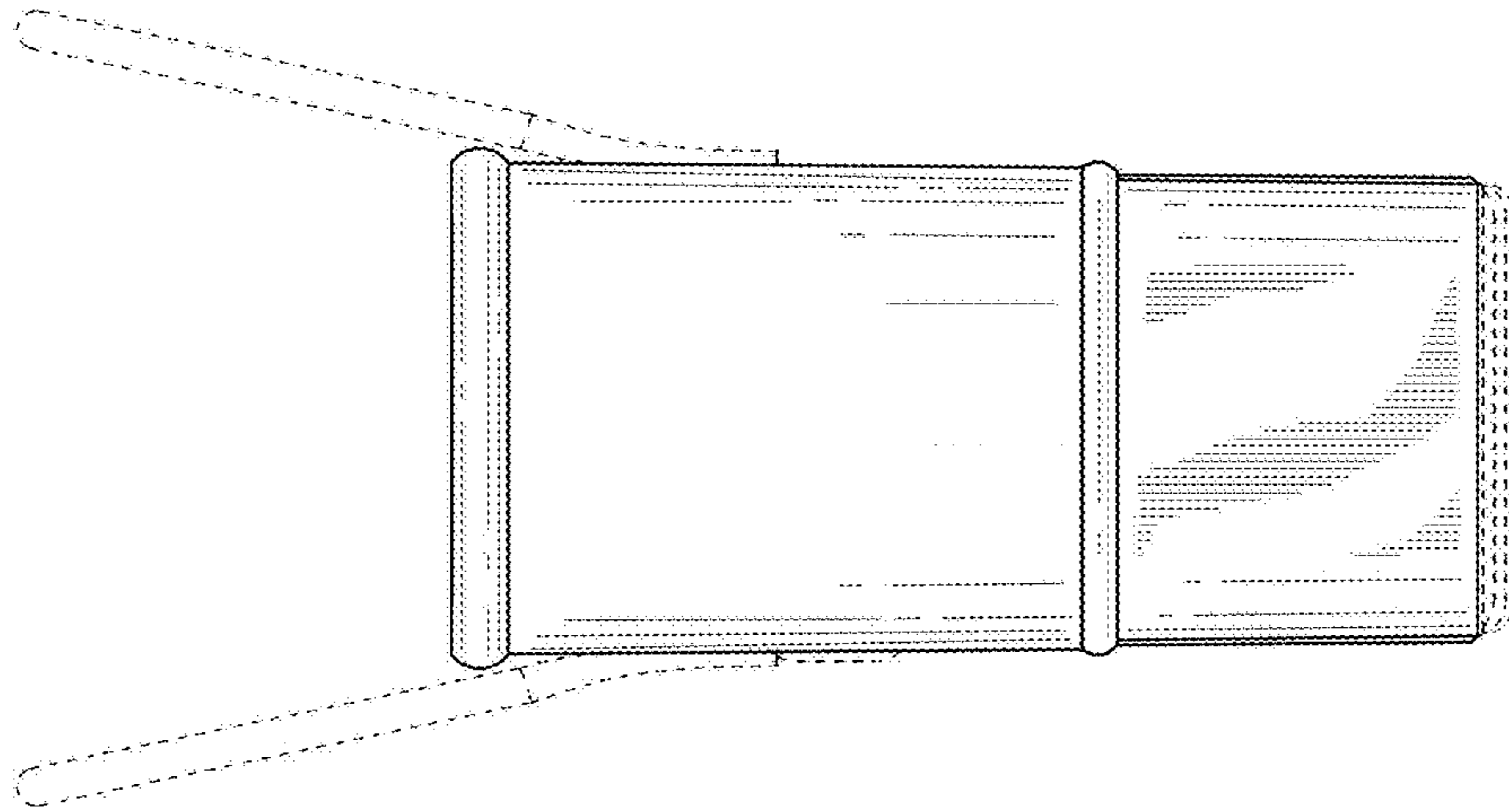


FIG. 19

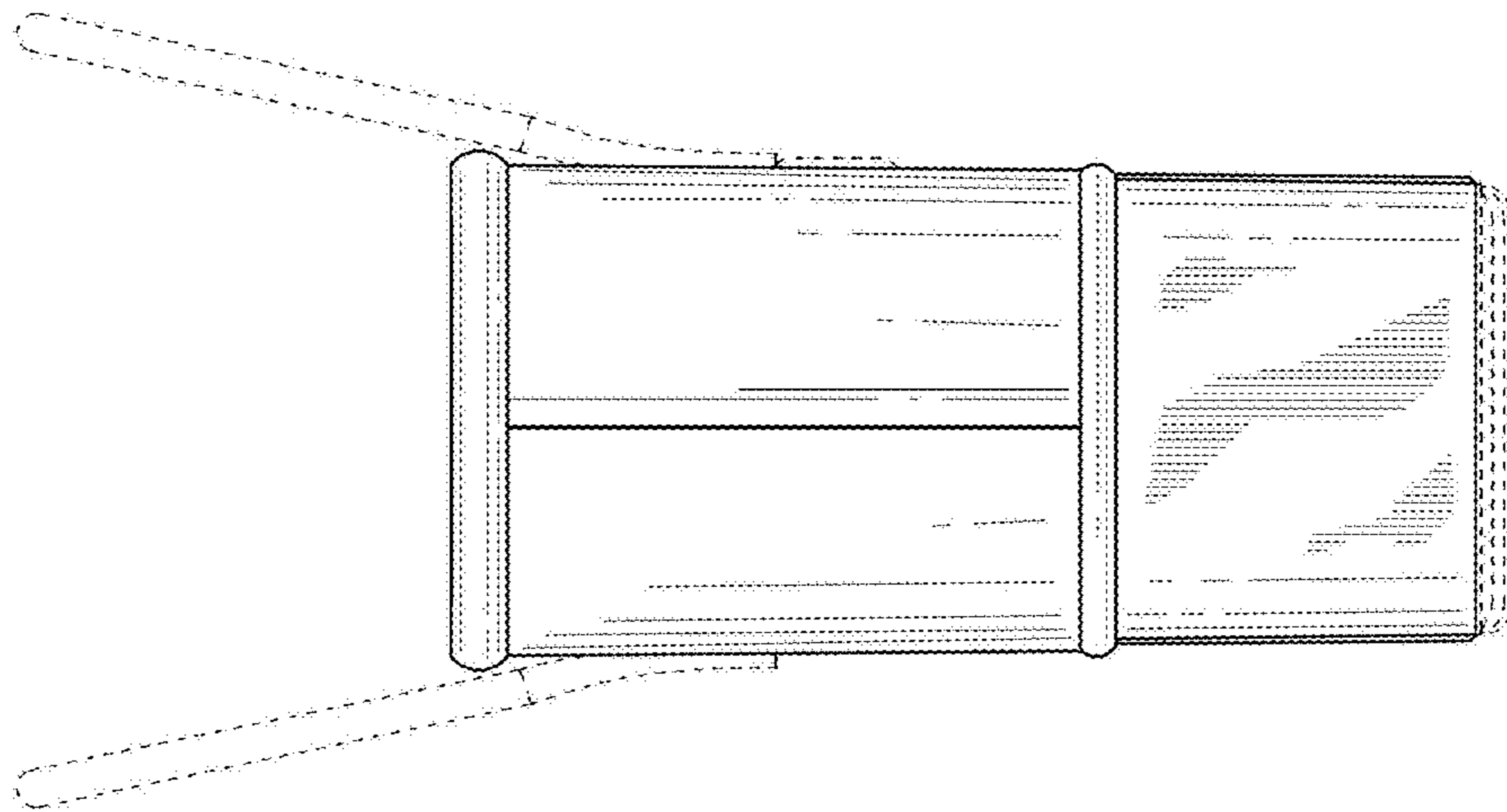


FIG. 18

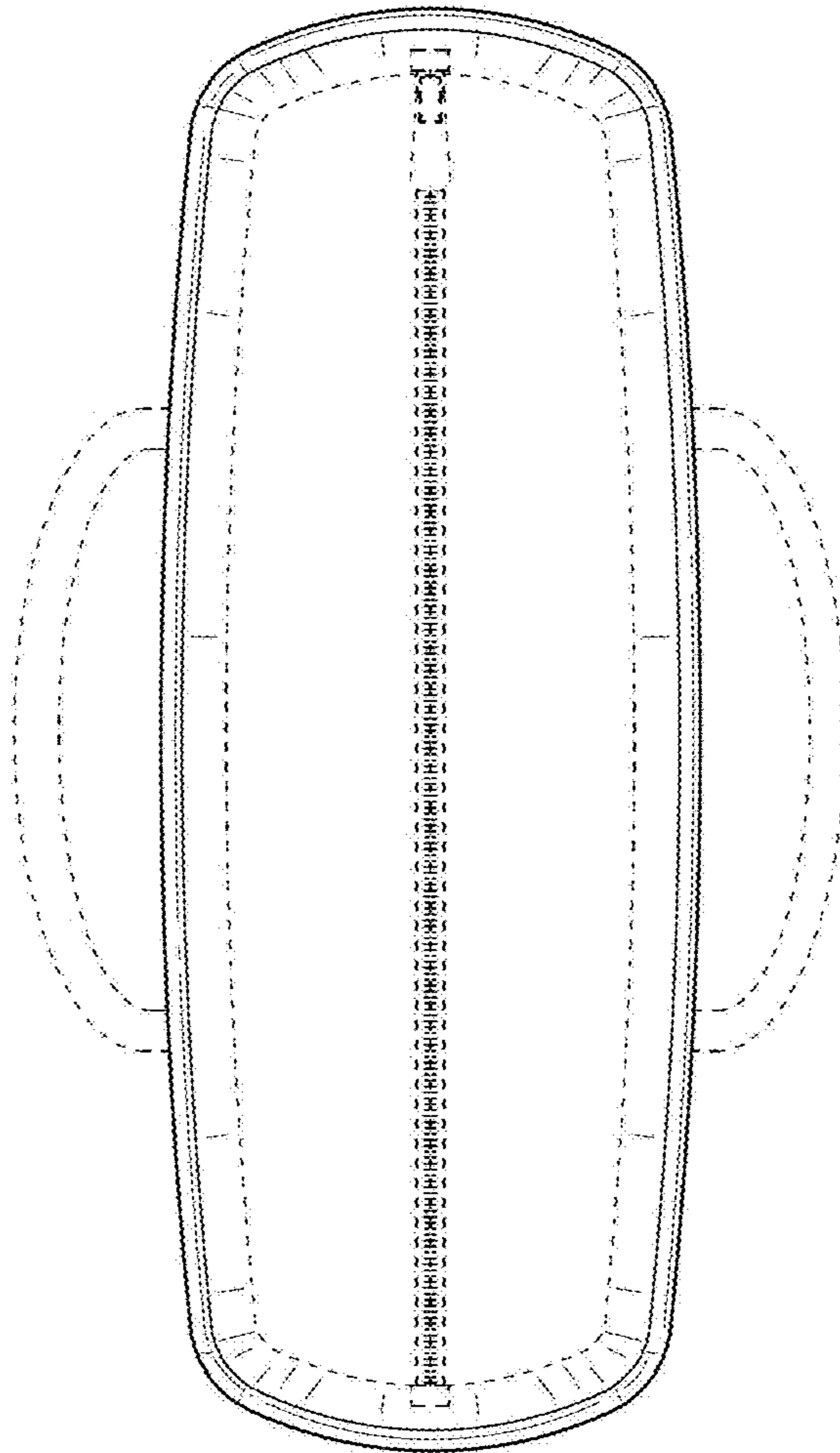


FIG. 20

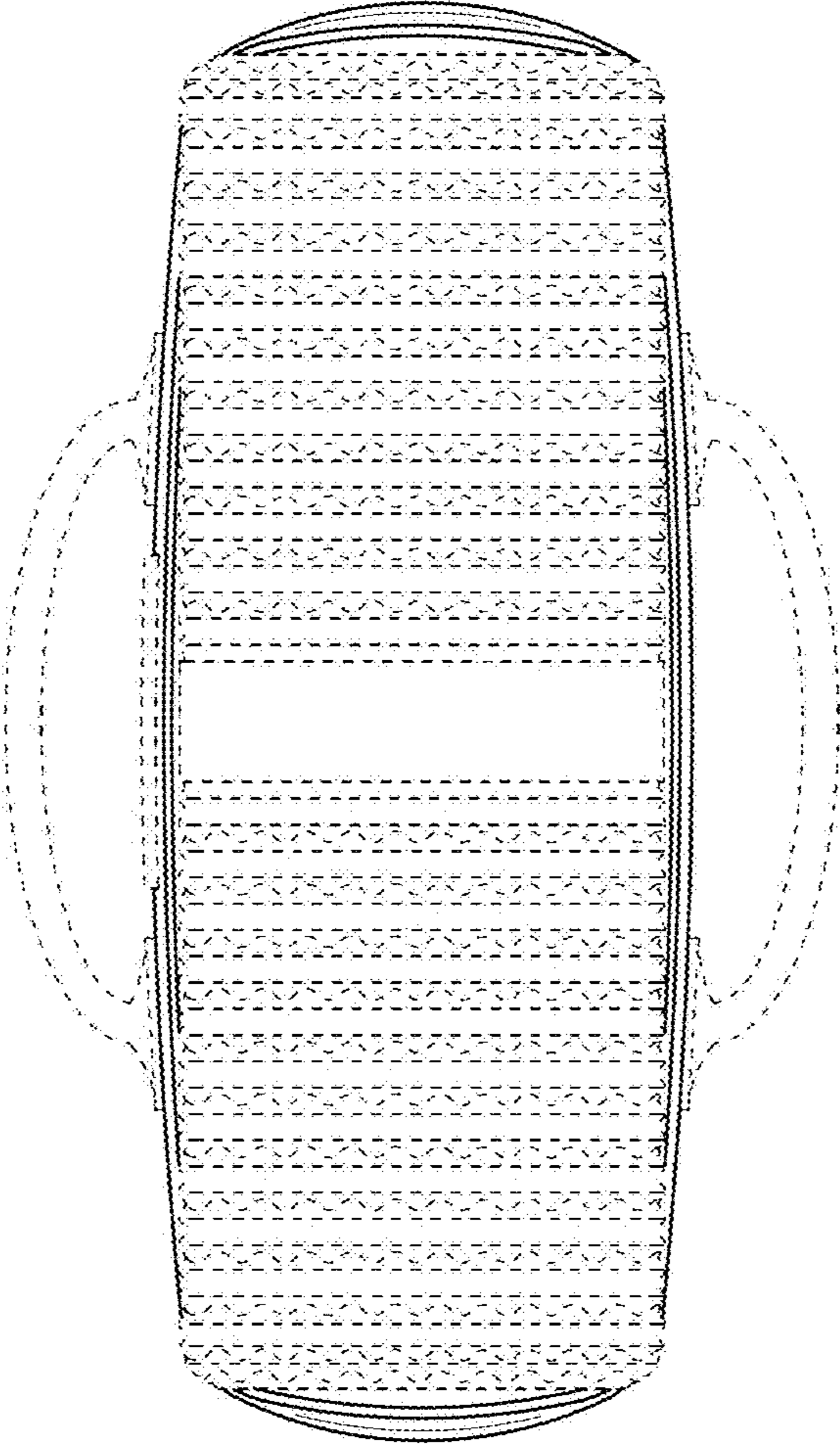


FIG. 21