



US00D821749S

(12) **United States Design Patent**
Nilsson

(10) **Patent No.:** **US D821,749 S**
(45) **Date of Patent:** **** Jul. 3, 2018**

(54) **COMBINED STORAGE CONTAINER AND LID**

(71) Applicant: **Elfa International AB**, Västervik (SE)

(72) Inventor: **Peter Nilsson**, Västervik (SE)

(73) Assignee: **Elfa International AB**, Västervik (SE)

(*) Notice: This patent is subject to a terminal disclaimer.

(**) Term: **15 Years**

(21) Appl. No.: **29/530,224**

(22) Filed: **Jun. 15, 2015**

(30) **Foreign Application Priority Data**

Dec. 15, 2014 (EM) 002597500

(51) **LOC (11) Cl.** **03-01**

(52) **U.S. Cl.**
USPC **D3/302**

(58) **Field of Classification Search**
USPC D9/414-433; D3/272-274, 276-284,
D3/291, 294, 295, 298, 302, 304,
(Continued)

(56) **References Cited**

U.S. PATENT DOCUMENTS

2,695,115 A * 11/1954 Roop B65D 21/0219
206/508
2,752,970 A * 7/1956 Tupper B65D 1/42
220/305

(Continued)

FOREIGN PATENT DOCUMENTS

EP 0 176 904 A2 4/1986
GB 948898 A 11/1962
WO 2010/121295 A1 10/2010

OTHER PUBLICATIONS

“Sterilite.” Found online Dec. 23, 2016 at www.amazon.com. Page dated Mar. 22, 2010. Retrieved from <URL:https://www.amazon.com/Sterilite-16558010-Quart-Storage-10-Pack/dp/B001QFYYS C/ref=pd_sim_201_10?_encoding=UTF8&pd_rd_i=B001QFYYS SC&pd_rd_r=VPFBFY0A130P0QX36M5D&pd_rd_w=kpcwU&pd_rd_wg=fKcbY&psc=1&refRID=VPFBFY0A130P0QX36M 5D>.*

(Continued)

Primary Examiner — Caron D Veynar
Assistant Examiner — Katelin G Kloberg
(74) *Attorney, Agent, or Firm* — Hubbard Johnston, PLLC

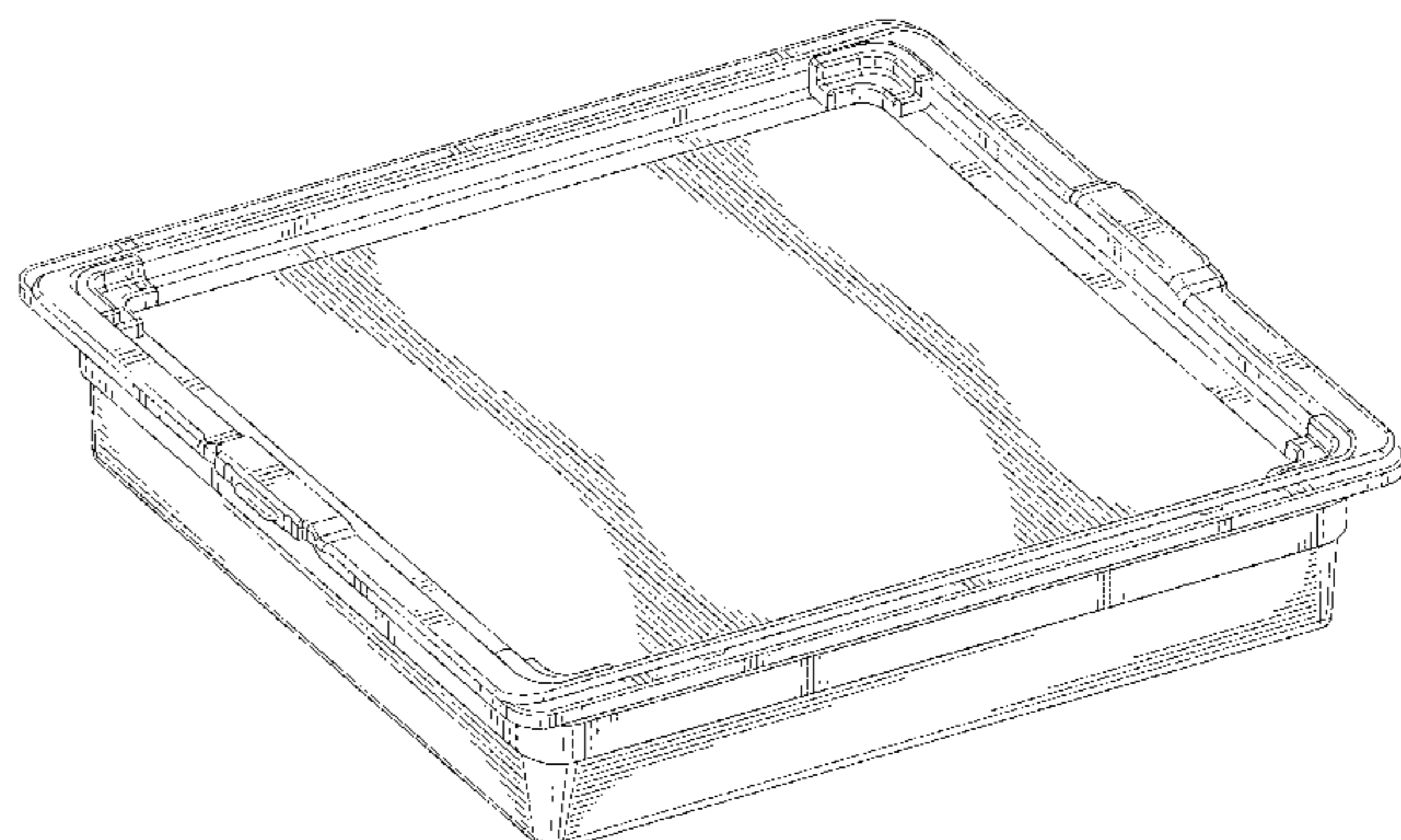
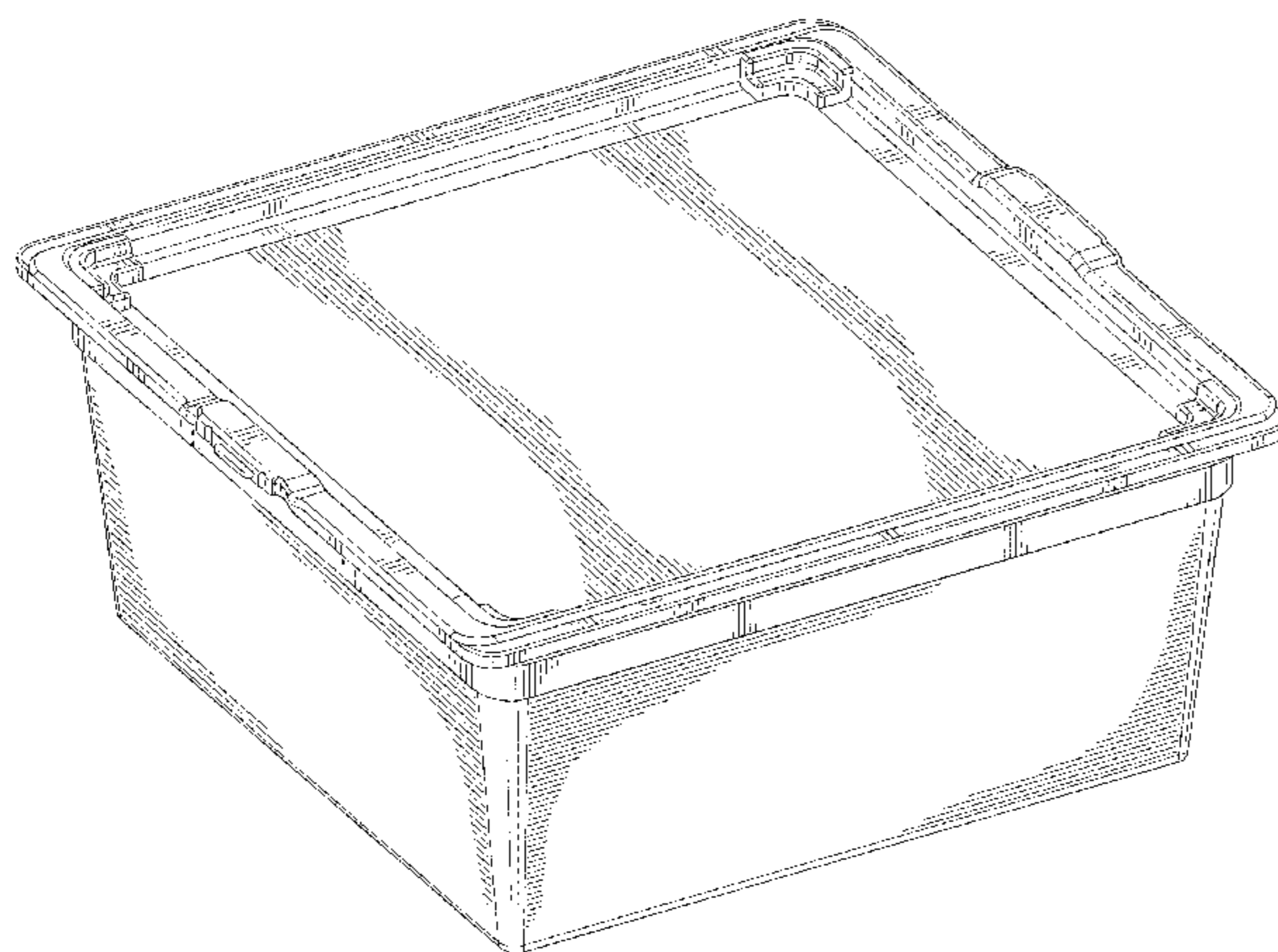
(57) **CLAIM**

The ornamental design for a combined storage container and lid, as shown and described.

DESCRIPTION

FIG. 1 is a top, front, right side perspective view of a first embodiment of a combined storage container and lid showing my new design;
FIG. 2 is a front elevational view thereof;
FIG. 3 is a right side elevational view thereof;
FIG. 4 is a rear elevational view thereof;
FIG. 5 is a left side elevational view thereof;
FIG. 6 is a top plan view thereof;
FIG. 7 is a bottom plan view thereof;
FIG. 8 is a top, front, right side perspective view of a second embodiment of a combined storage container and lid showing my new design;
FIG. 9 is a front elevational view thereof;
FIG. 10 is a right side elevational view thereof;
FIG. 11 is a rear elevational view thereof;
FIG. 12 is a left side elevational view thereof;
FIG. 13 is a top plan view thereof; and,
FIG. 14 is a bottom plan view thereof.
The broken lines illustrate portions of the combined storage container and lid that form no part of the claimed design.

1 Claim, 12 Drawing Sheets



(58) **Field of Classification Search**
 USPC D3/307–310, 312, 314, 315, 901, 903,
 D3/905; 206/372–379, 508;
 220/523–528, 826, 844
 CPC B65D 2543/00194
 See application file for complete search history.

(56) **References Cited**

U.S. PATENT DOCUMENTS

3,055,540 A * 9/1962 Ringlen B65D 21/0219
 220/789
 3,087,771 A 4/1963 Pari
 3,484,035 A 12/1969 Swett et al.
 3,556,339 A * 1/1971 Lind B65D 43/021
 220/787
 3,904,074 A * 9/1975 Hoffman B65D 43/0212
 220/258.3
 4,523,692 A * 6/1985 Lemkin B65D 21/0219
 206/508
 4,795,041 A 1/1989 Remmers
 D356,256 S * 3/1995 Romanoff D3/282
 D361,715 S * 8/1995 Hauptert D9/424
 D419,302 S 1/2000 Hardy et al.
 D431,907 S 10/2000 Andujar et al.
 D449,074 S 10/2001 Andujar
 D450,481 S 11/2001 Post
 D451,675 S 12/2001 Hardy et al.
 D453,027 S 1/2002 Andujar
 D476,155 S 6/2003 Post et al.
 D481,233 S 10/2003 Post et al.
 D486,981 S 2/2004 Post et al.
 D488,334 S 4/2004 Post et al.
 6,718,635 B2 4/2004 Cheng et al.
 D498,375 S 11/2004 Post et al.
 D501,105 S 1/2005 Post et al.
 D503,059 S 3/2005 Post et al.
 D511,247 S * 11/2005 Tsuchiya D3/273
 D513,874 S 1/2006 Hardy et al.
 D516,347 S 3/2006 Post et al.
 D516,814 S 3/2006 Post et al.

D528,300 S 9/2006 Hardy et al.
 D530,517 S 10/2006 Hardy et al.
 7,270,245 B2 9/2007 Cheng et al.
 D554,896 S 11/2007 Post
 D565,334 S 4/2008 Post et al.
 D567,553 S 4/2008 Post et al.
 D582,161 S 12/2008 Hardy et al.
 D584,055 S 1/2009 Hardy et al.
 D632,080 S 2/2011 Hardy et al.
 D639,561 S 6/2011 Hardy et al.
 D653,063 S 1/2012 Post et al.
 D719,731 S * 12/2014 Burgess D3/299
 D738,623 S * 9/2015 Wood D3/302
 D748,916 S * 2/2016 Nilsson D3/302
 D759,972 S * 6/2016 Duvigneau D3/281
 2003/0102315 A1 6/2003 Cheng et al.
 2005/0077299 A1 4/2005 Cheng et al.
 2007/0187277 A1 8/2007 Furlong
 2012/0168433 A1 7/2012 Cheng et al.
 2014/0042113 A1 2/2014 Cheng et al.

OTHER PUBLICATIONS

“Rubbermaid Clever Store.” Found online Dec. 17, 2016 at www.walmart.com. Page dated Jul. 25, 2013. Retrieved from <URL:https://www.walmart.com/ip/Rubbermaid-Cleverstore-Clear-41-Quart-with-Basic-Latch-Clear-Base-with-Blue-Latch/21803655?action=product_interest&action_type=title&item_id=21803655&placement_id=irs-106-m3&strategy=PWBAB&visitor_id&category=.*
 “Hefty 66-Quart.” Found online Dec. 19, 2016 at www.lowes.com. Page dated Nov. 28, 2014. Retrieved from <URL:https://www.lowes.com/pd/Hefty-66-Quart-Clear-Tote-with-Latching-Lid/50261173>.*
 “Cambro 12189CW135.” Found online Dec. 19, 2016 at www.amazon.com. Page dated Sep. 18, 2004. Retrieved from <URL:https://www.amazon.com/Cambro-12189CW135-Polycarbonate-Storage-Camwear/dp/B002NQB63E/ref=sr_1_3_m?s=home-garden&ie=UTF8&qid=1482180240&sr=1-3&keywords=camwear+storage>.*

* cited by examiner

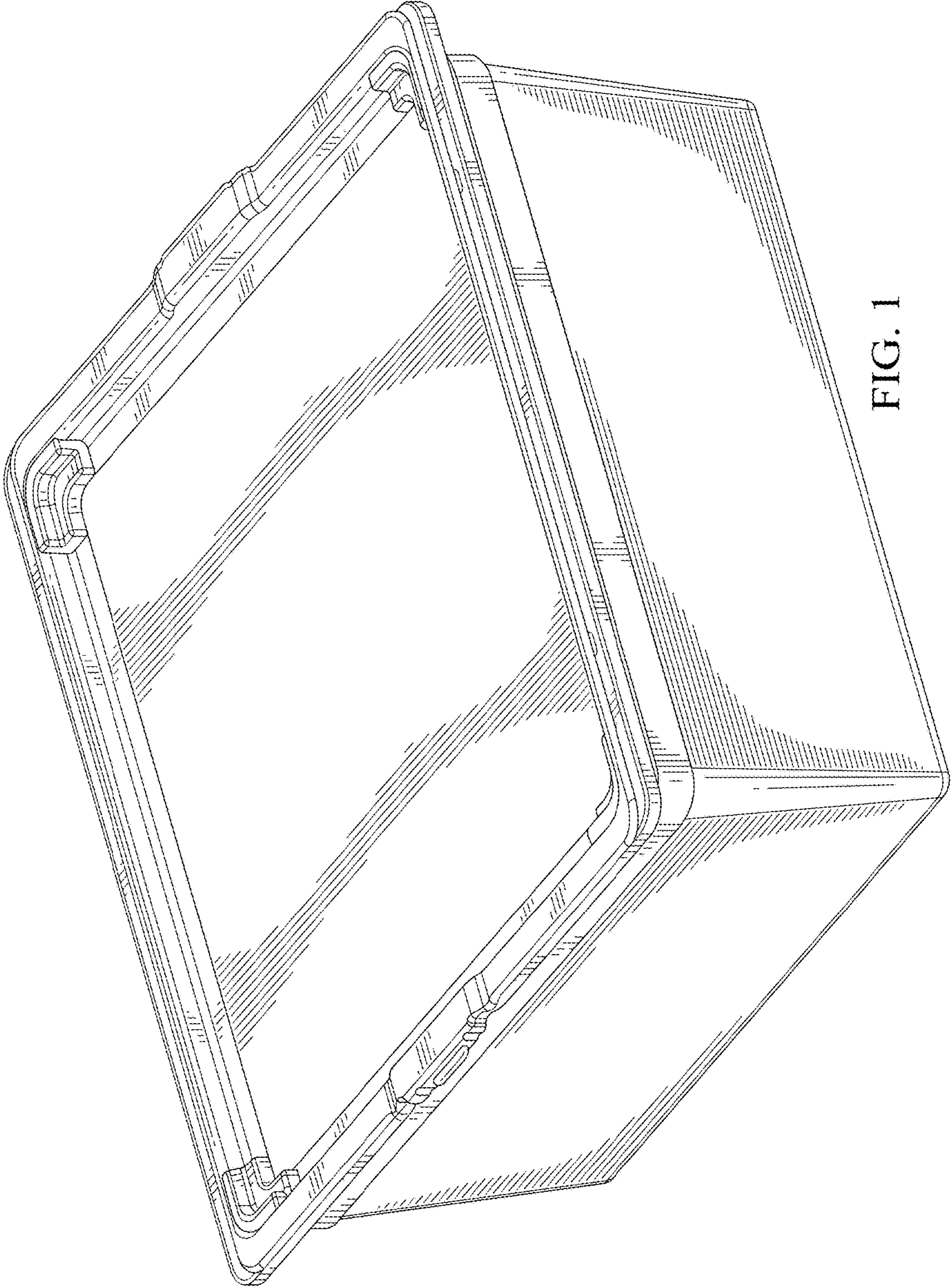


FIG. 1

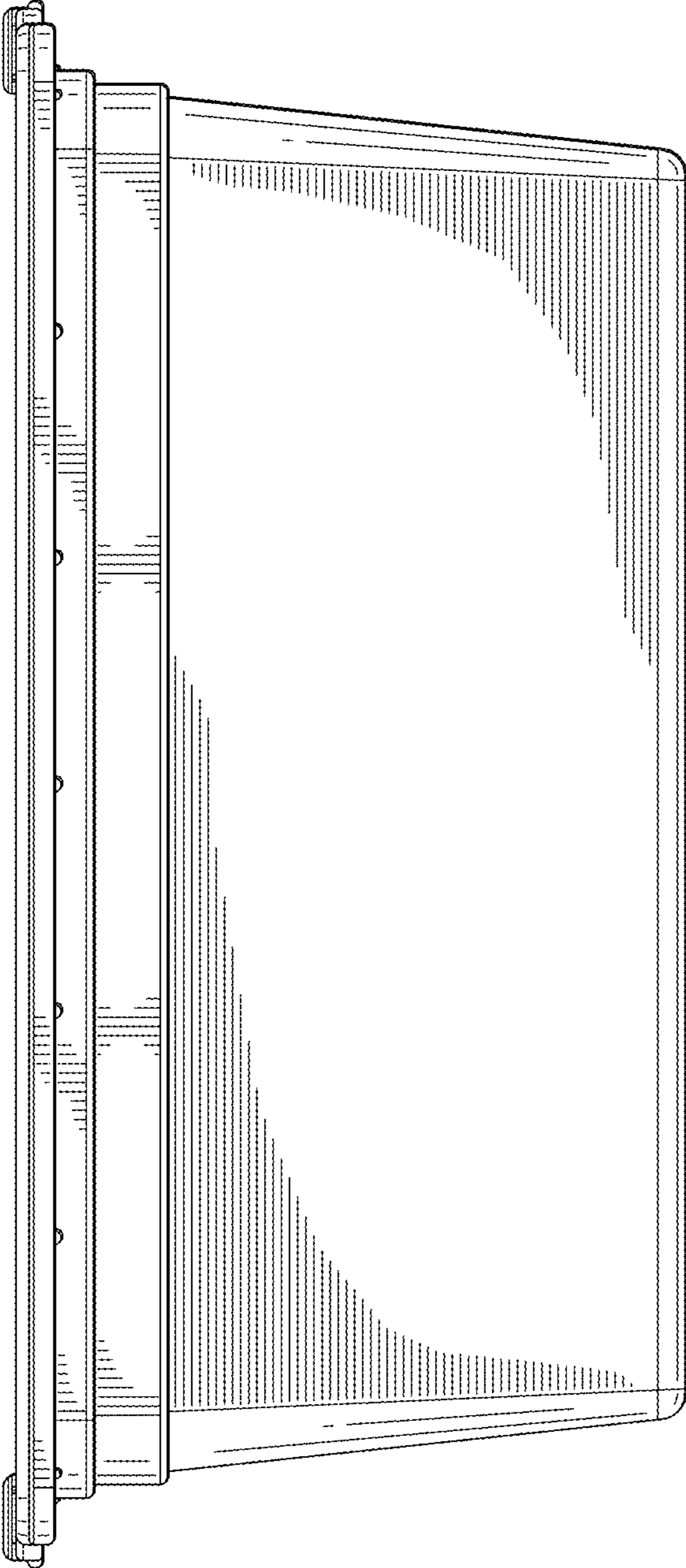


FIG. 2

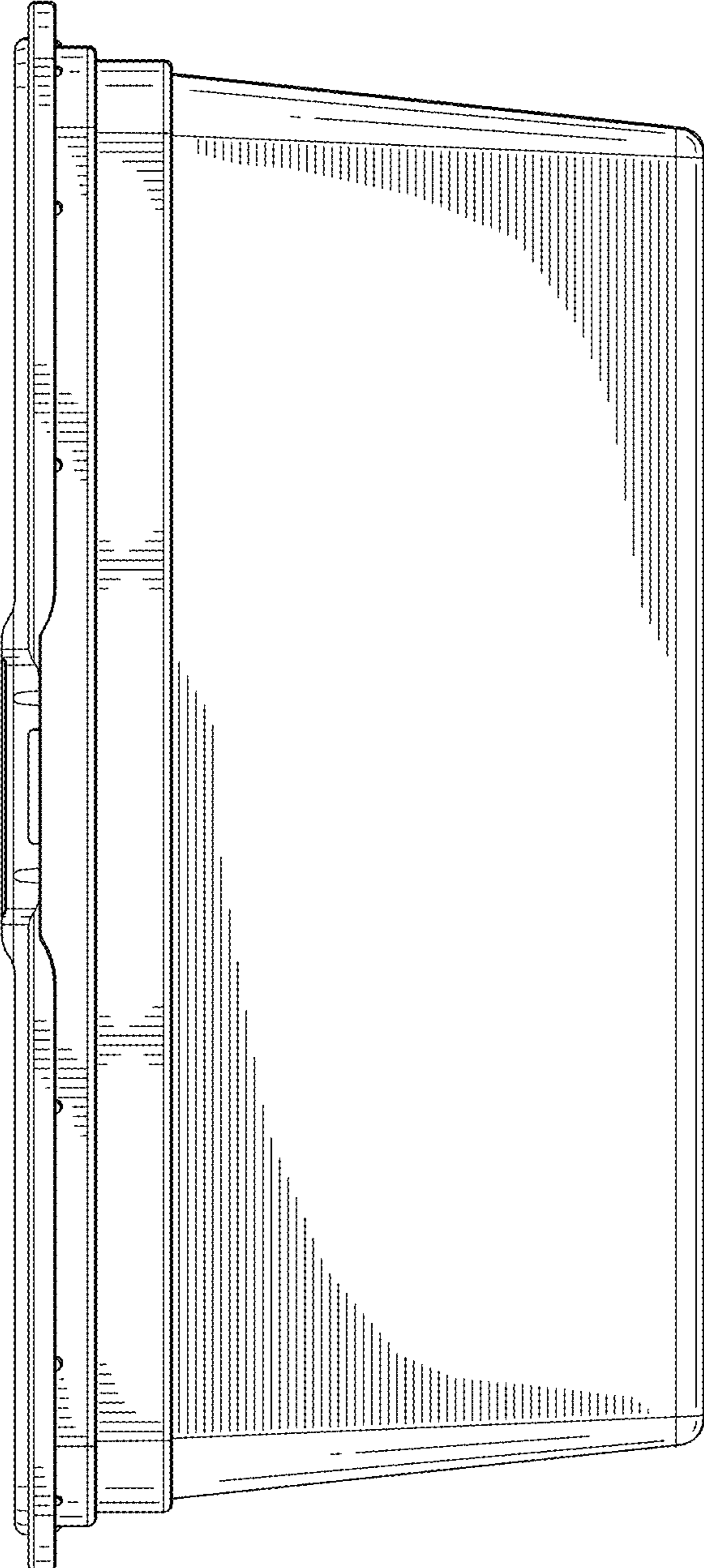


FIG. 3

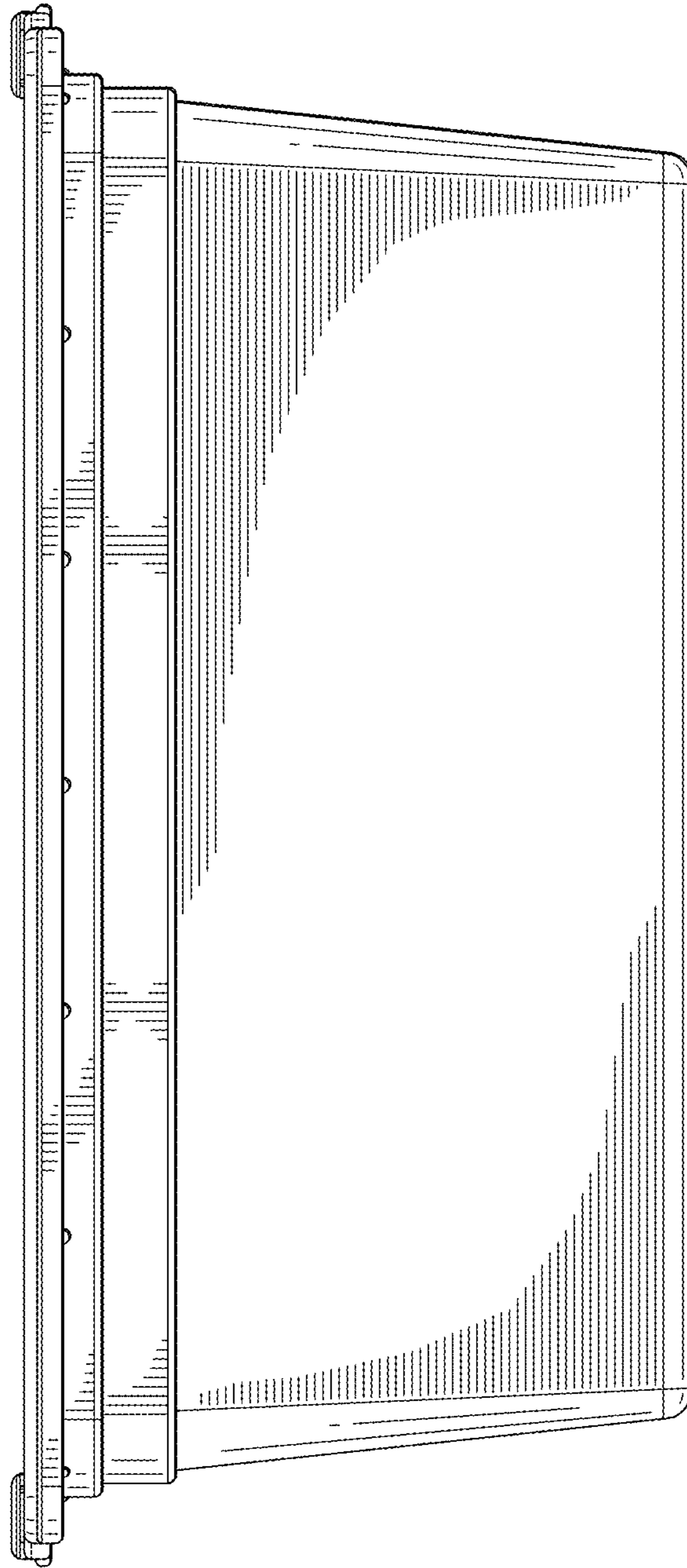


FIG. 4

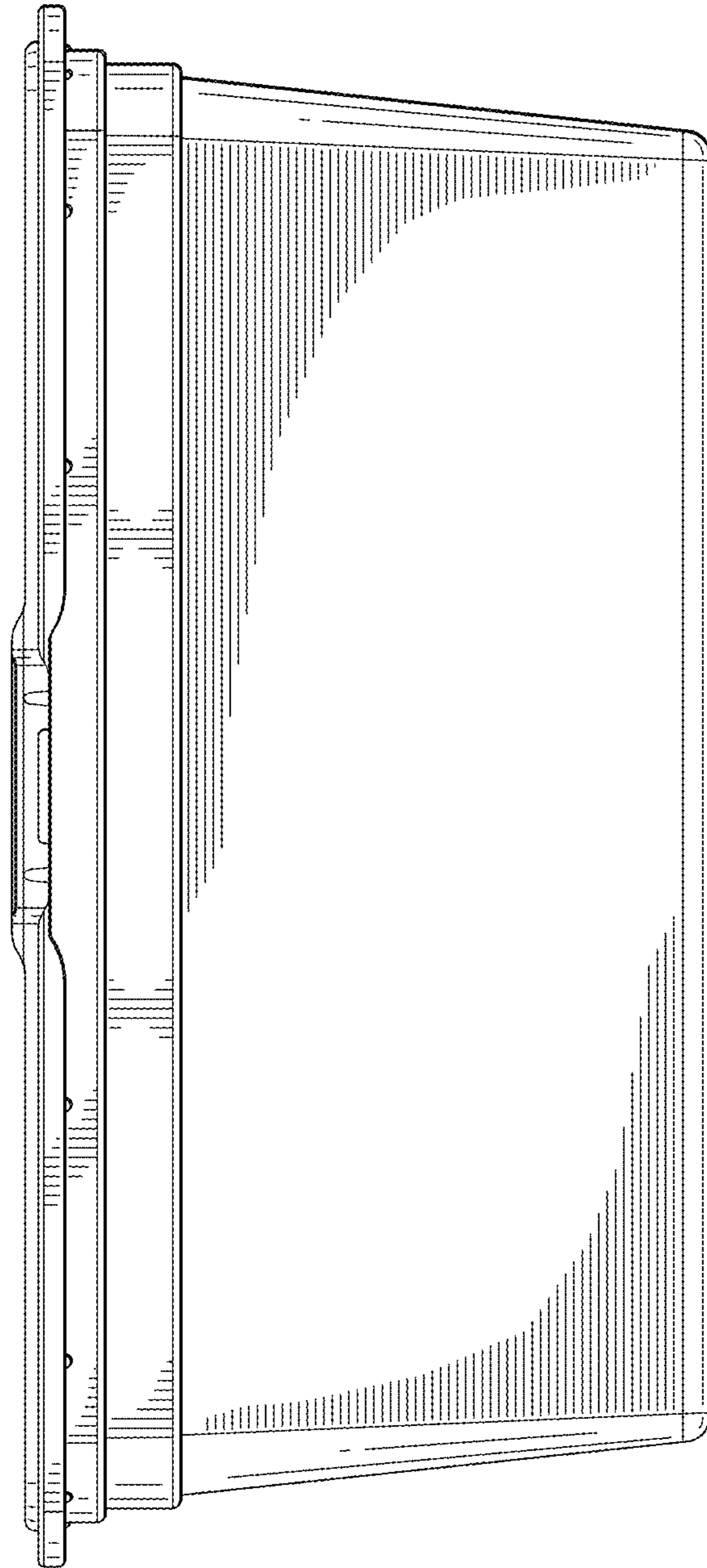


FIG. 5

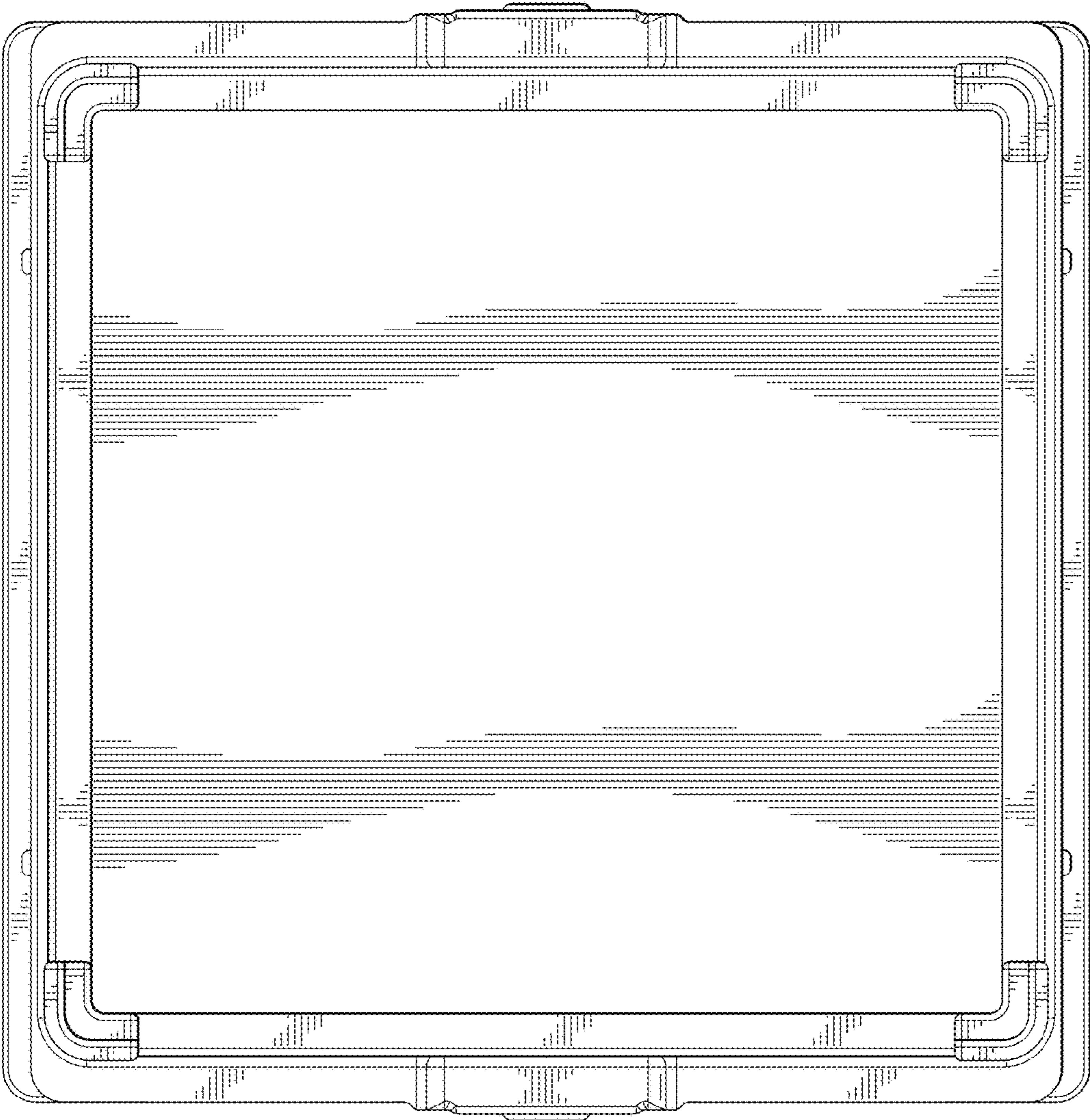


FIG. 6

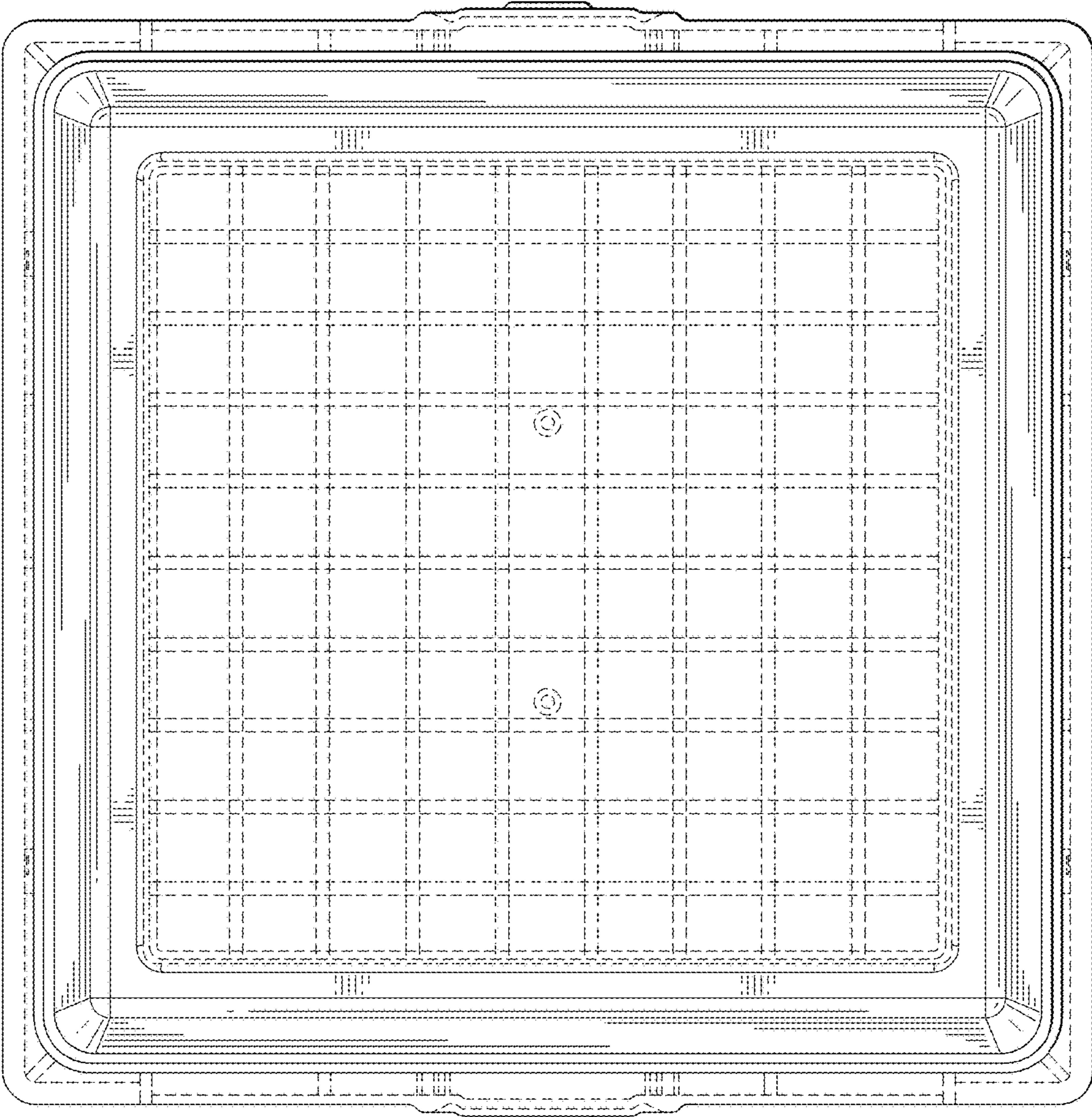


FIG. 7

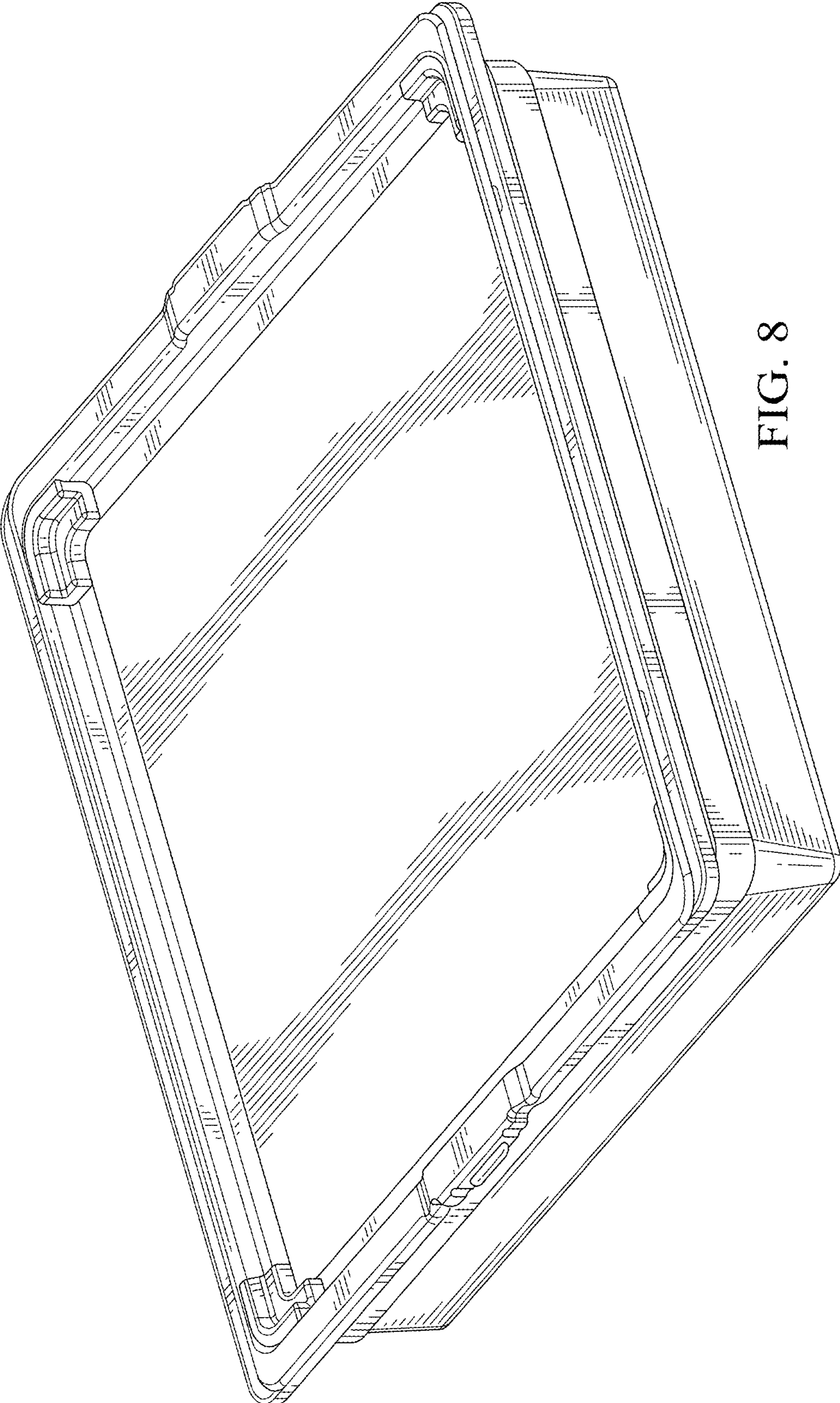


FIG. 8

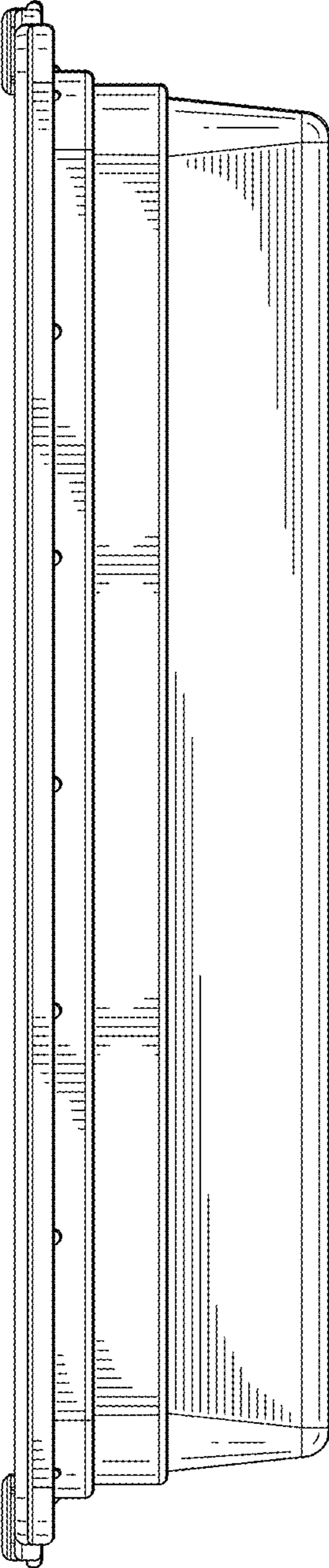


FIG. 9

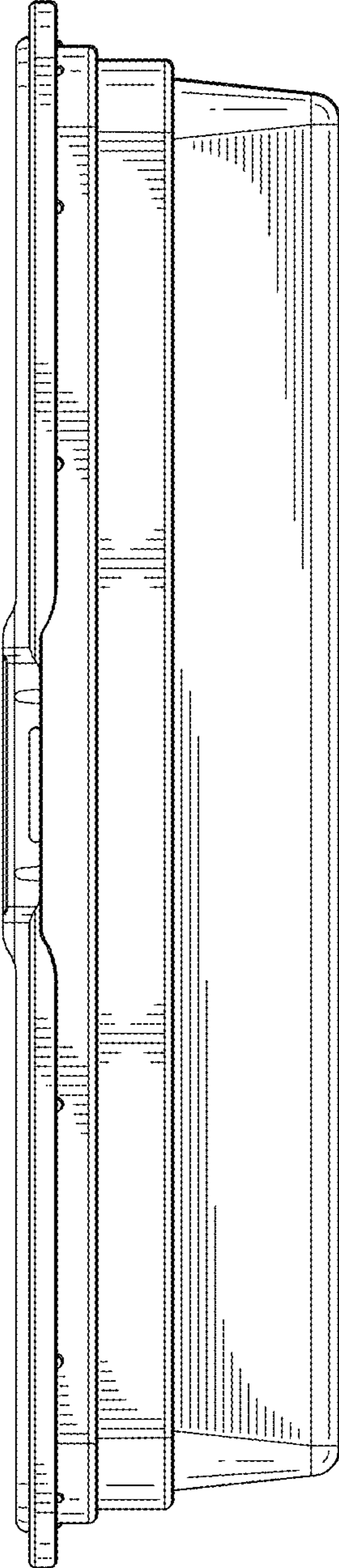


FIG. 10

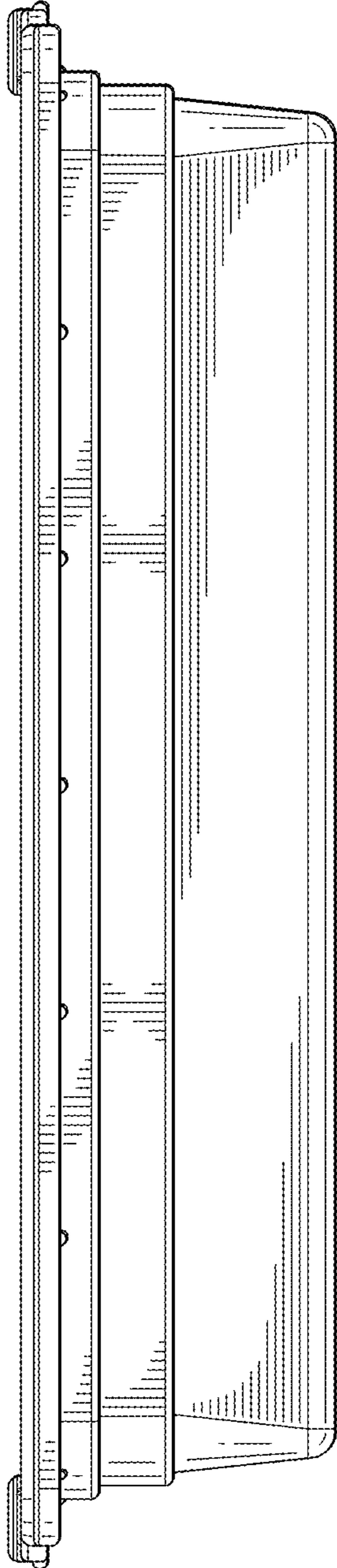


FIG. 11

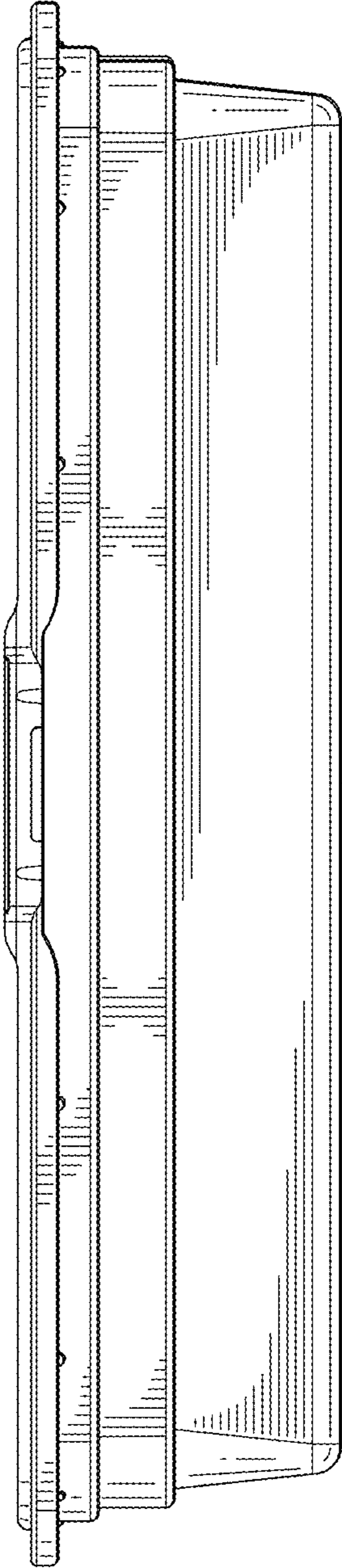
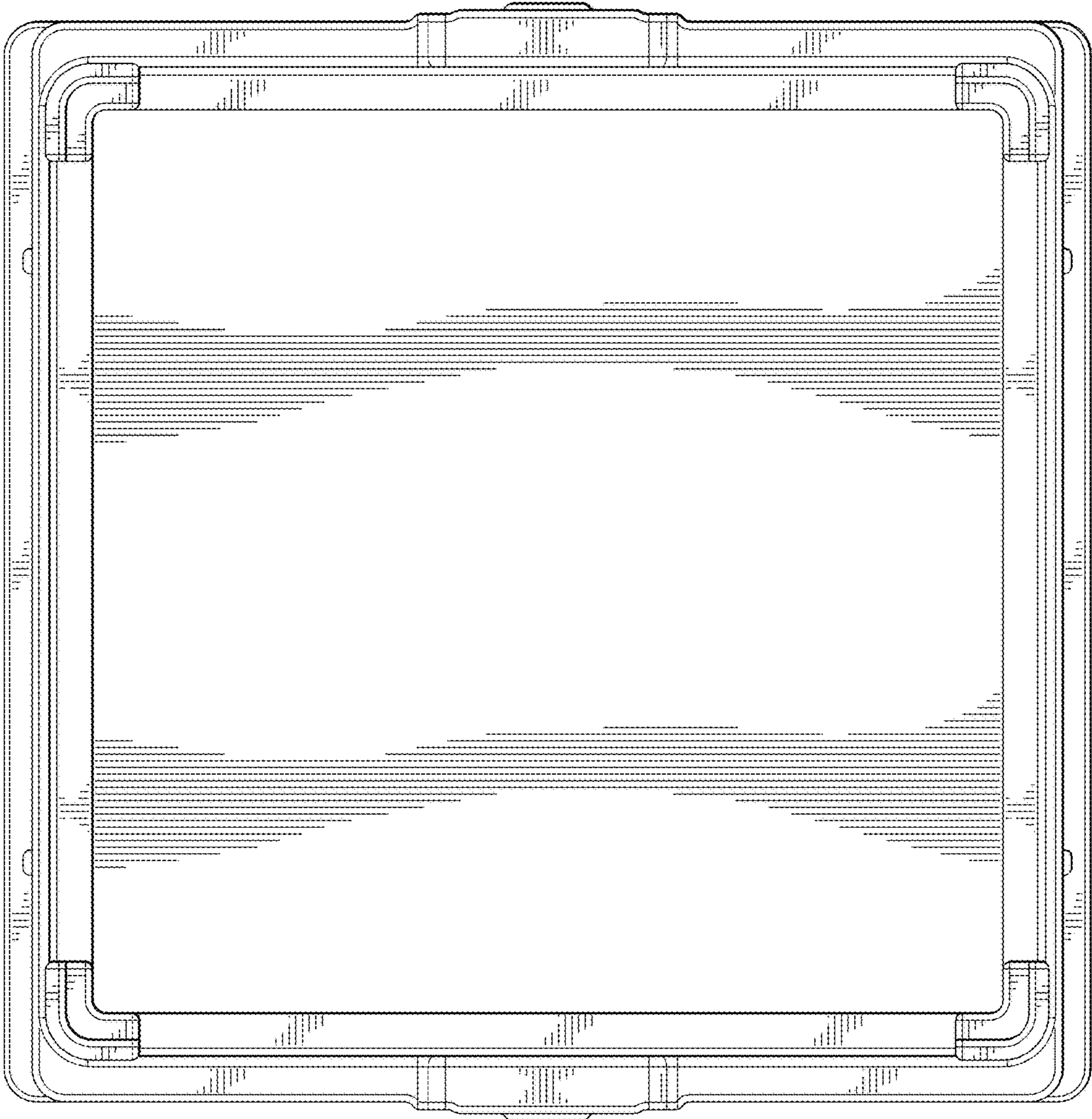


FIG. 12

FIG. 13



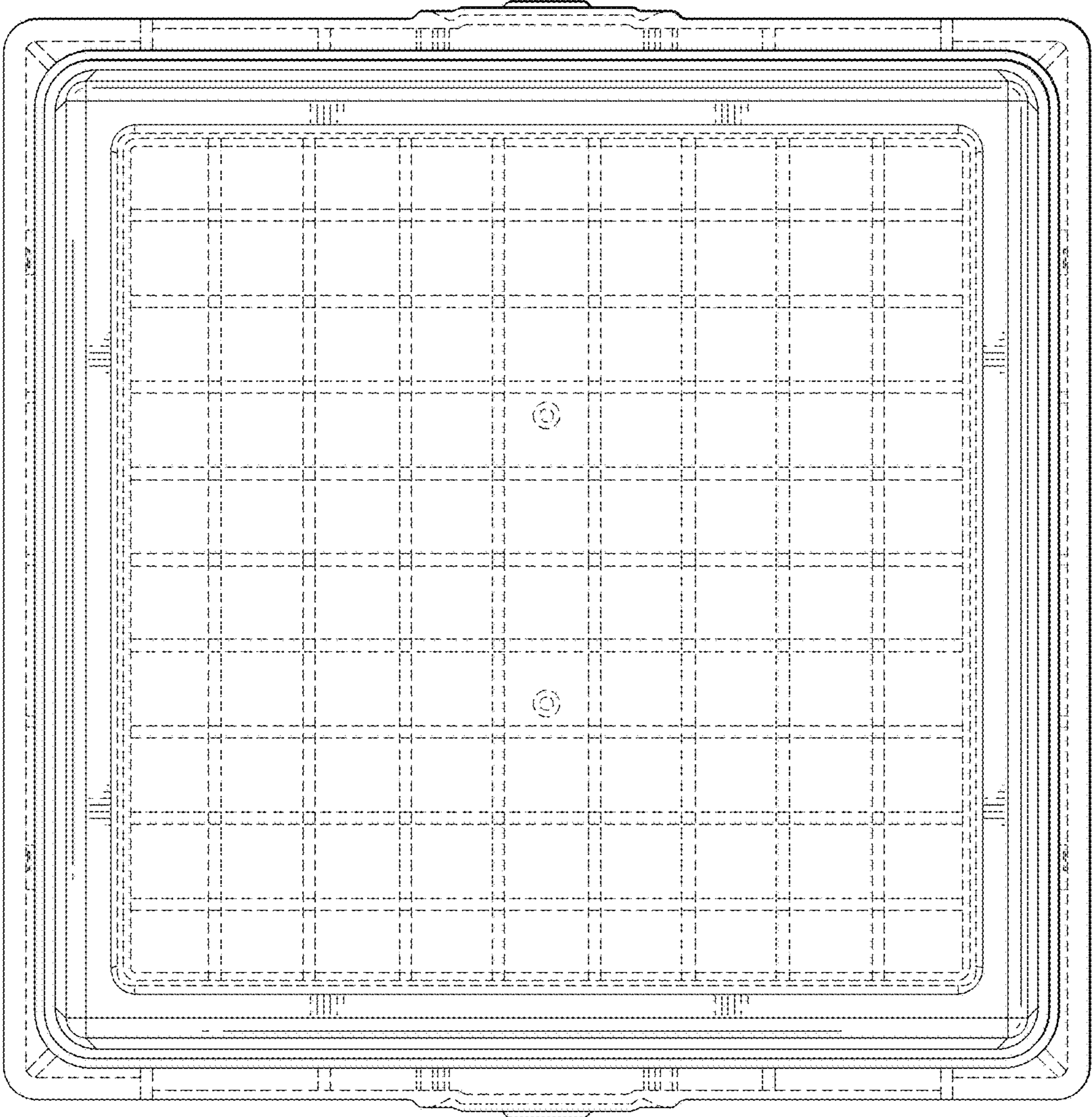


FIG. 14