



US00D821743S

(12) **United States Design Patent**
Cao

(10) **Patent No.:** **US D821,743 S**
(45) **Date of Patent:** **** Jul. 3, 2018**

(54) **ARMBAND FOR HOLDING CELL PHONE**

(71) Applicant: **Mengting Cao**, Shenzhen (CN)

(72) Inventor: **Mengting Cao**, Shenzhen (CN)

(**) Term: **15 Years**

(21) Appl. No.: **29/608,185**

(22) Filed: **Jun. 20, 2017**

(51) **LOC (11) Cl.** **03-01**

(52) **U.S. Cl.**
USPC **D3/218**

(58) **Field of Classification Search**
USPC D3/218, 215, 227, 219; 224/197, 219,
224/222, 267, 269, 930; 206/305, 320;
455/575.1-575.8
CPC A45F 5/00; A45F 5/02; A45F 2005/008;
A45F 2200/0516
See application file for complete search history.

(56) **References Cited**

U.S. PATENT DOCUMENTS

4,135,653 A * 1/1979 Sieloff A45F 5/00
224/222
D529,713 S * 10/2006 Guyot D3/218

D654,266 S * 2/2012 El D3/218
D716,040 S * 10/2014 Soriano D3/218
D762,971 S * 8/2016 Gronewoller D3/218
D774,751 S * 12/2016 Pomerantz D3/218
9,615,650 B2 * 4/2017 Soriano A45F 5/00
D789,076 S * 6/2017 Pierre D3/218

* cited by examiner

Primary Examiner — Catherine Oliver-Garcia
(74) *Attorney, Agent, or Firm* — Li & Cai Intellectual
Property (USA) Office

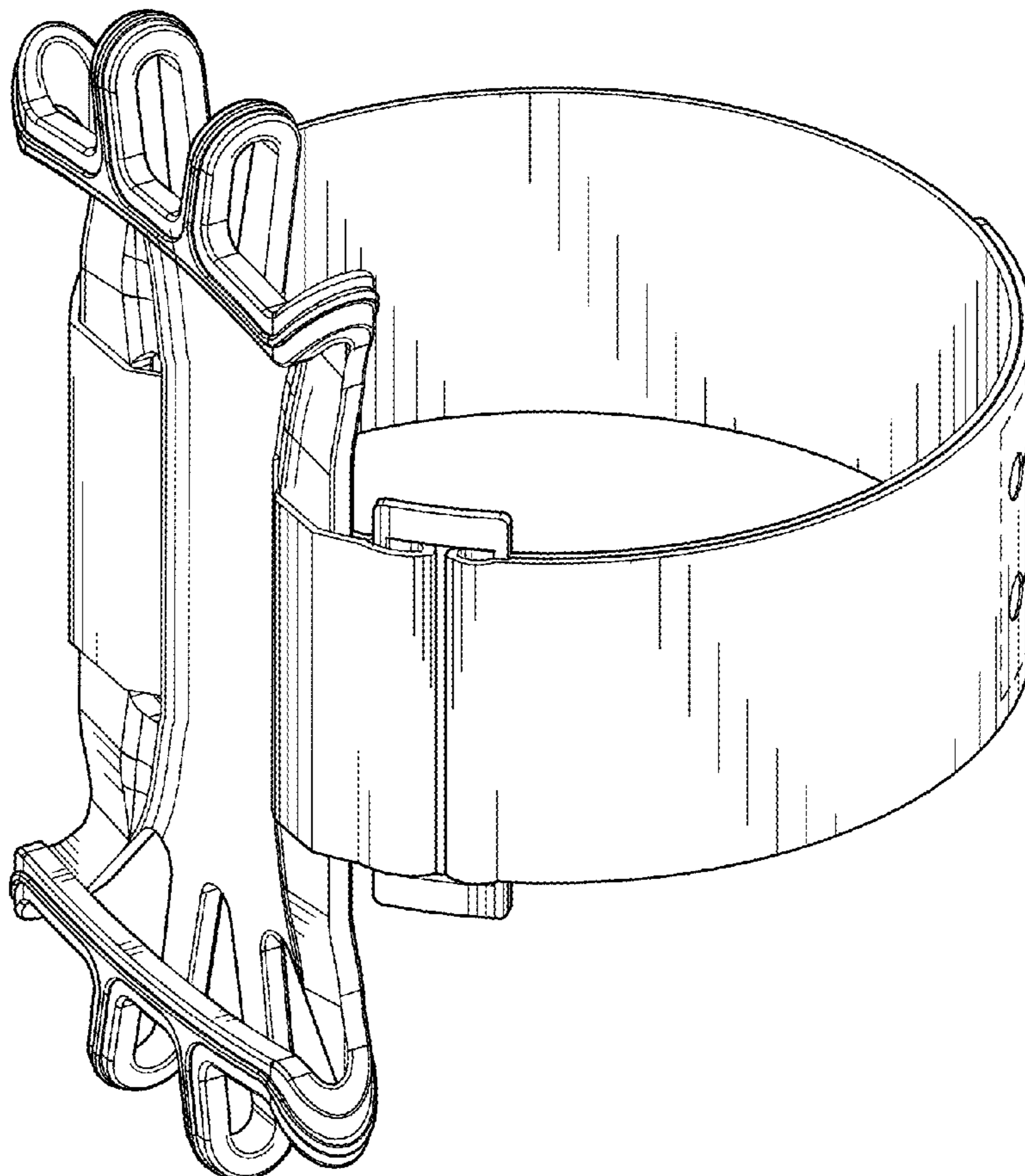
(57) **CLAIM**

The ornamental design for an “armband for holding cell phone”, as shown and described.

DESCRIPTION

FIG. 1 is a perspective view of an armband for holding cell phone showing our new design;
FIG. 2 is a front view thereof;
FIG. 3 is a rear view thereof;
FIG. 4 is a left side view thereof;
FIG. 5 is a right side view thereof;
FIG. 6 is a top view thereof;
FIG. 7 is a bottom view thereof; and,
FIG. 8 is an exemplary view showing the article in use.
The broken lines depict environmental structure and are included for the purpose of illustrating only and form no part of the claimed design.

1 Claim, 8 Drawing Sheets



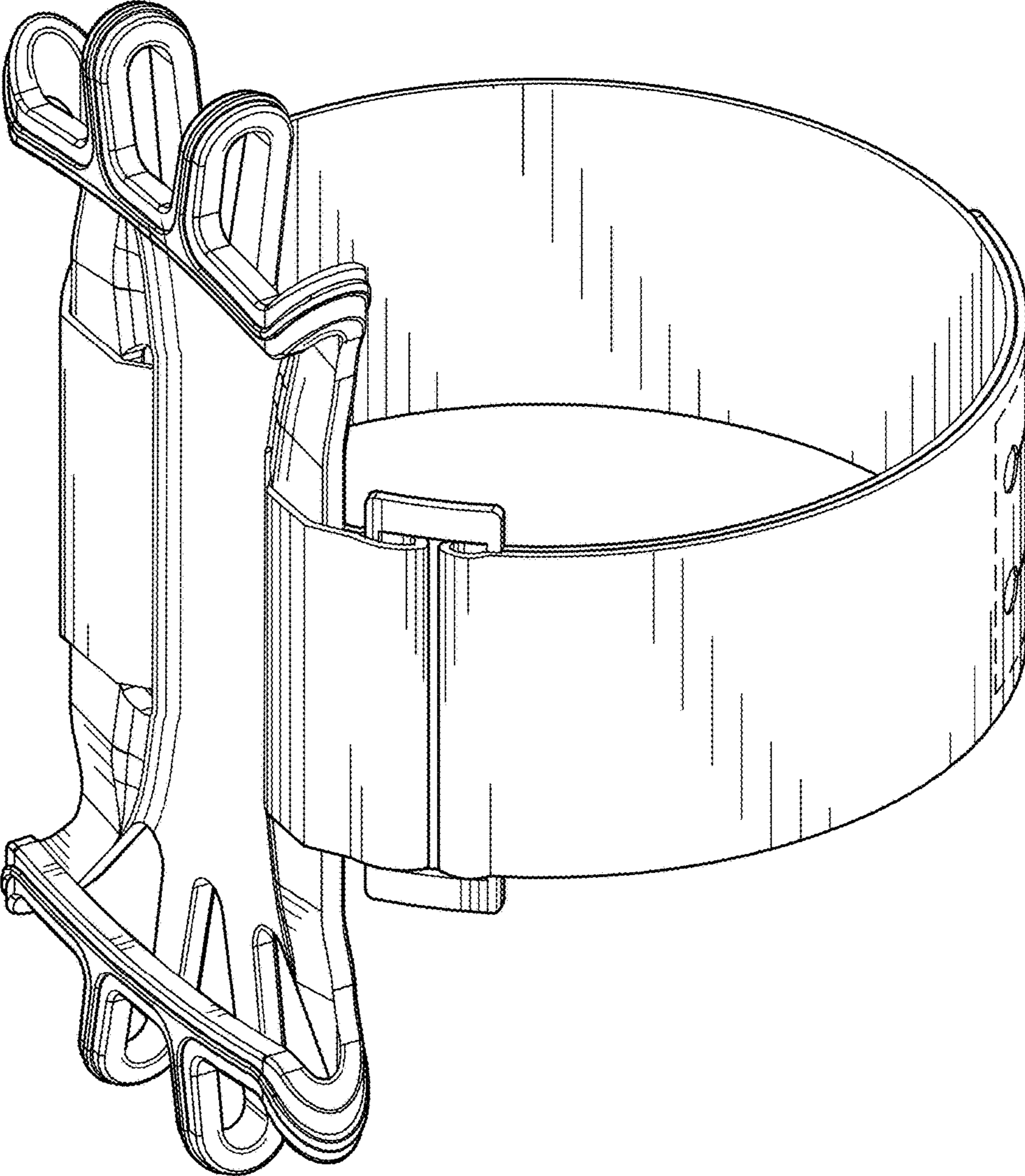


FIG. 1

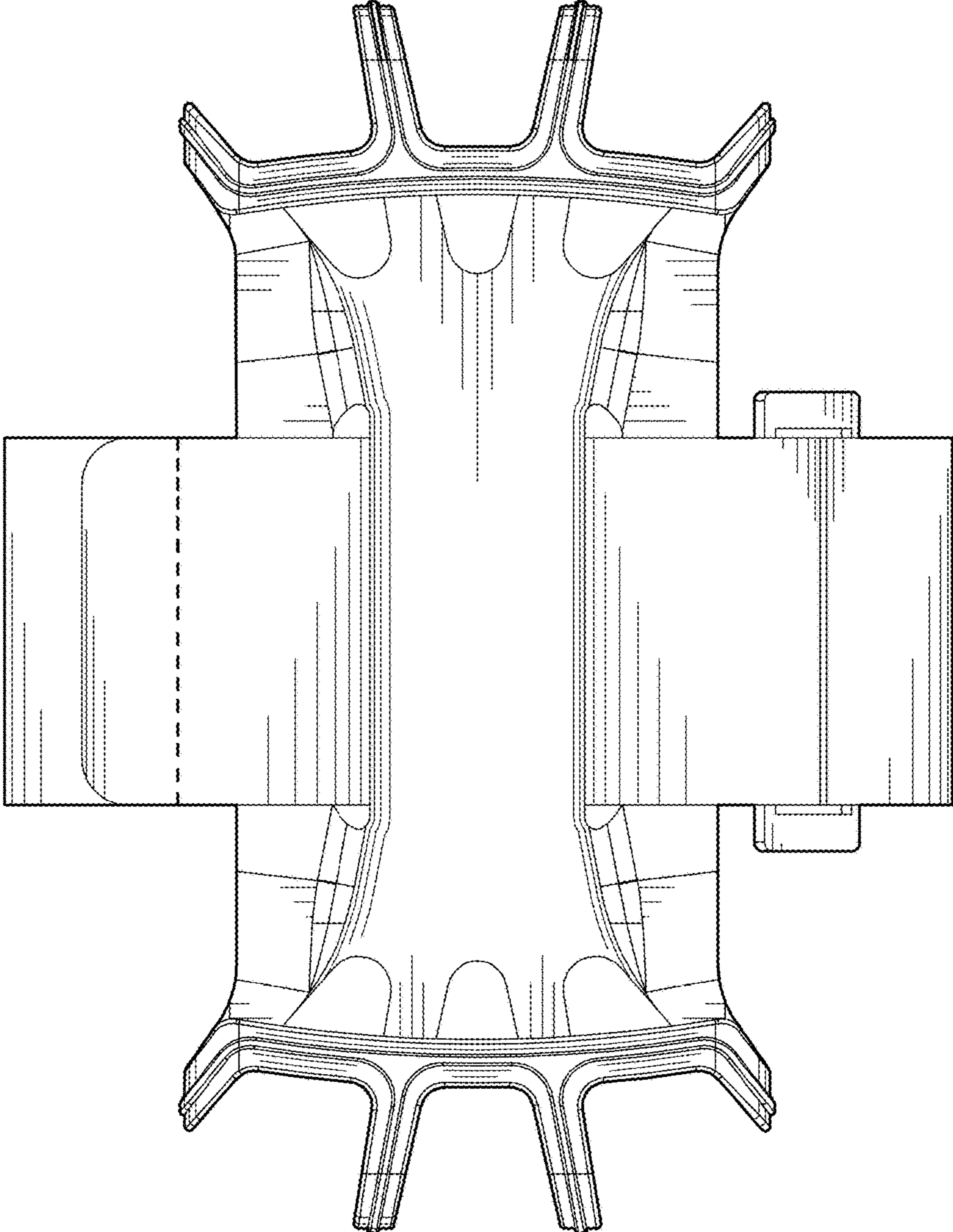


FIG. 2

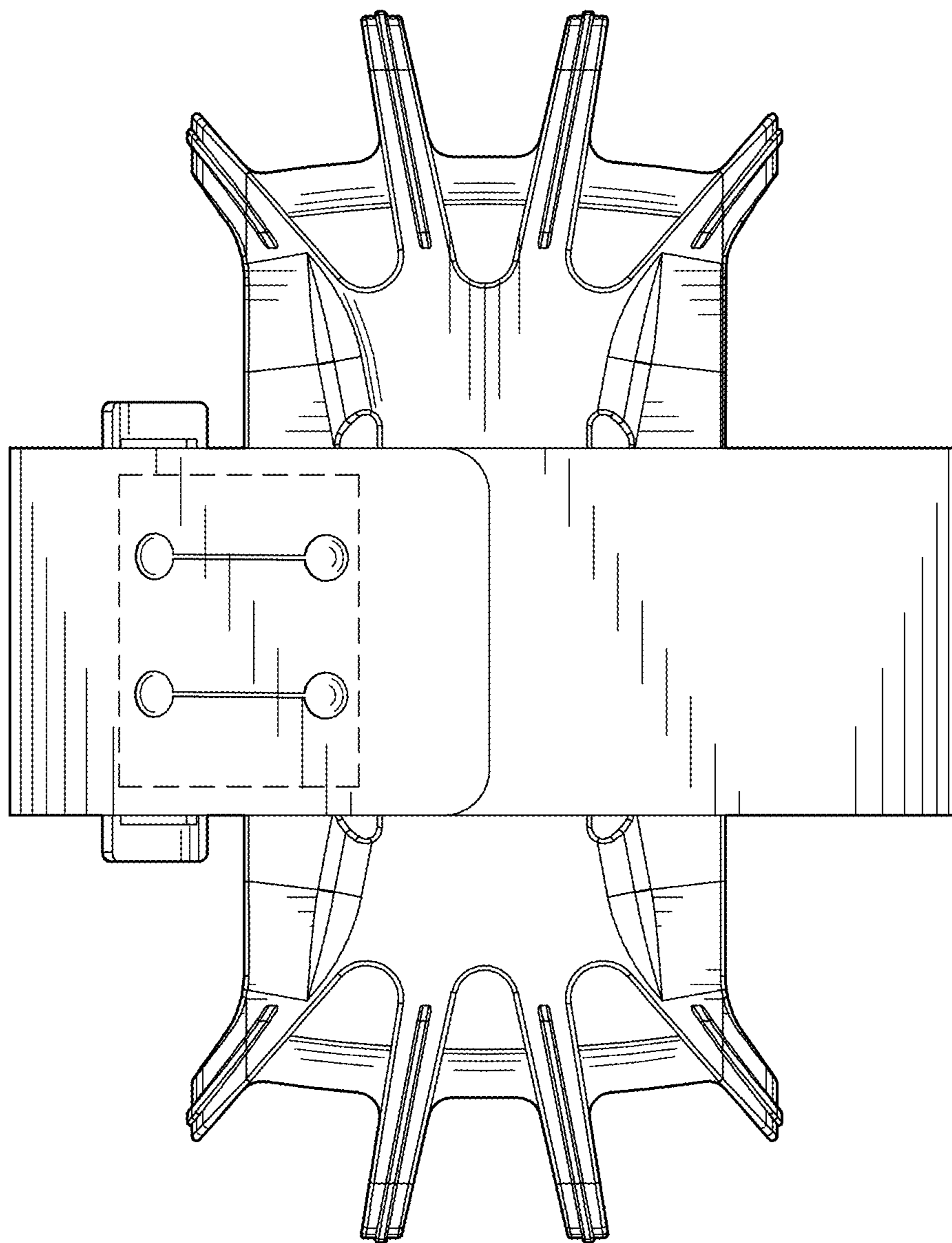


FIG. 3

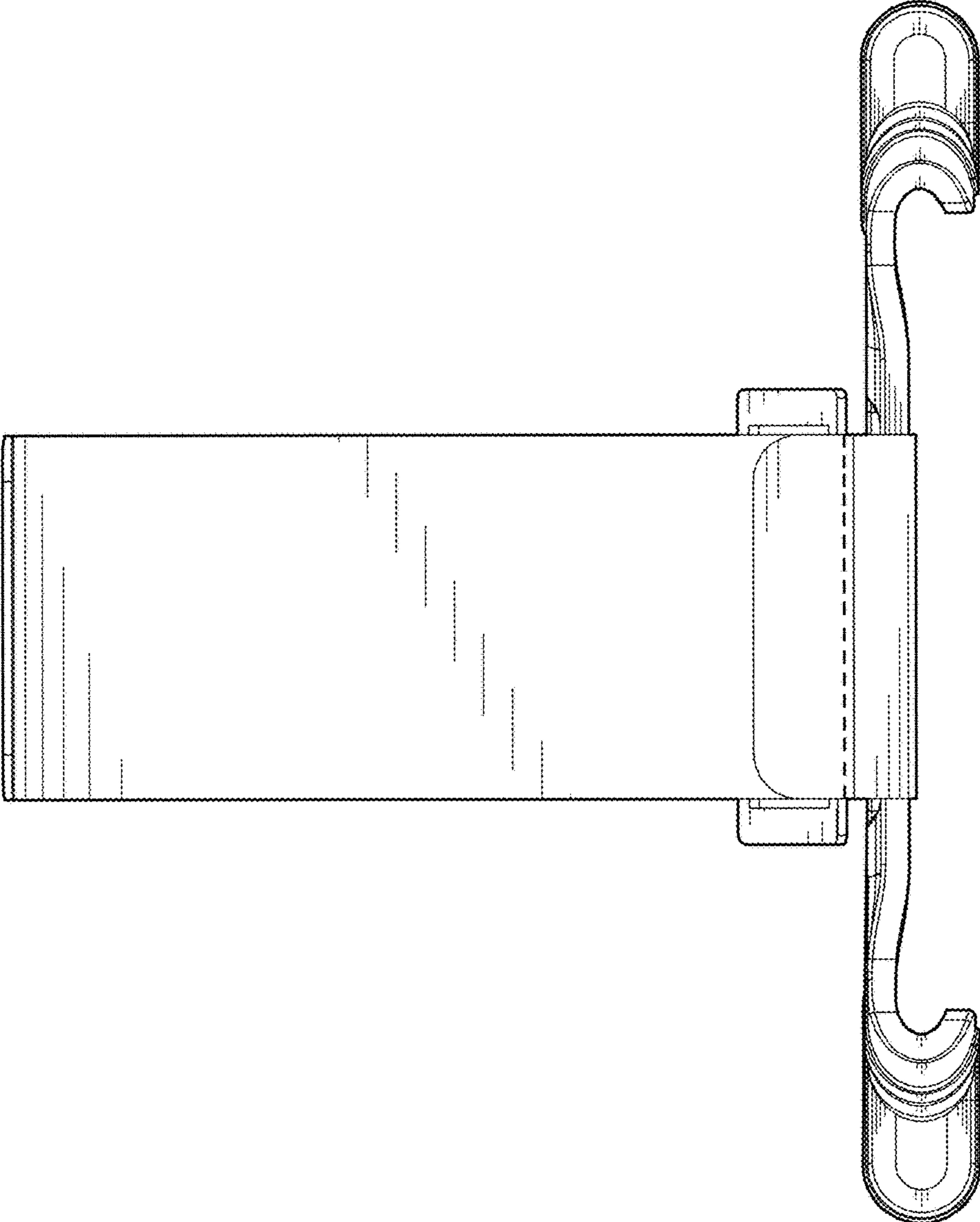


FIG. 4

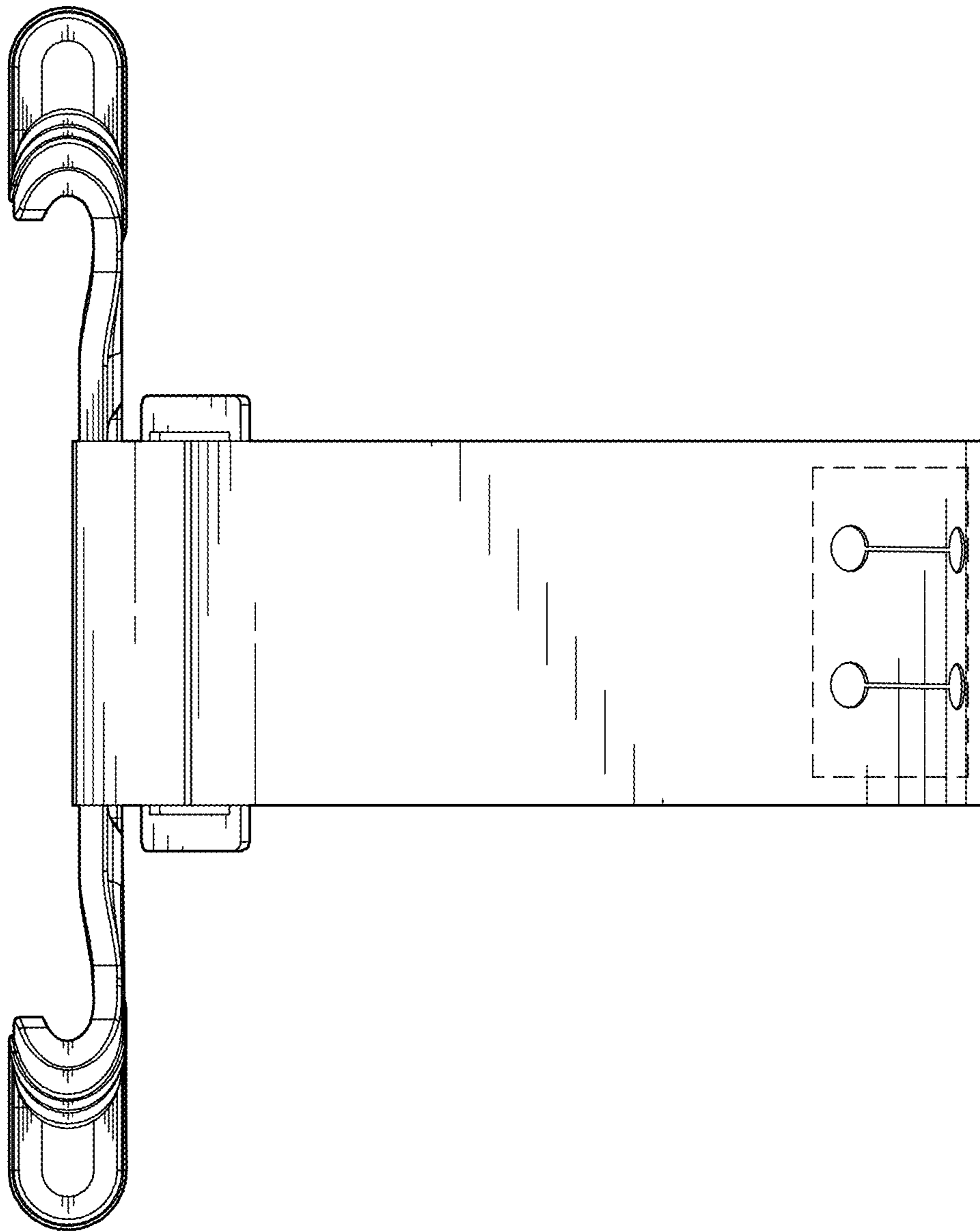


FIG. 5

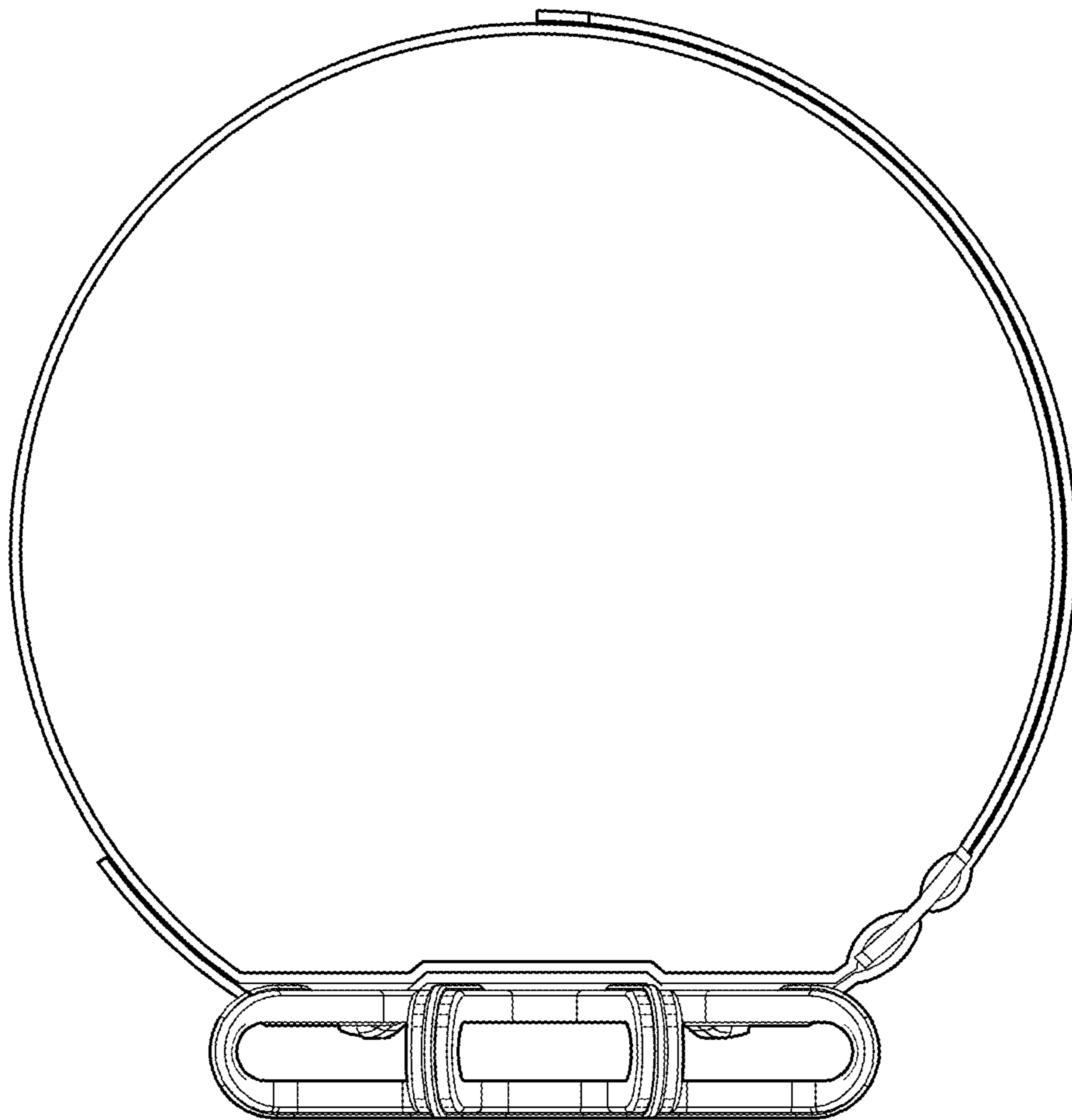


FIG. 6

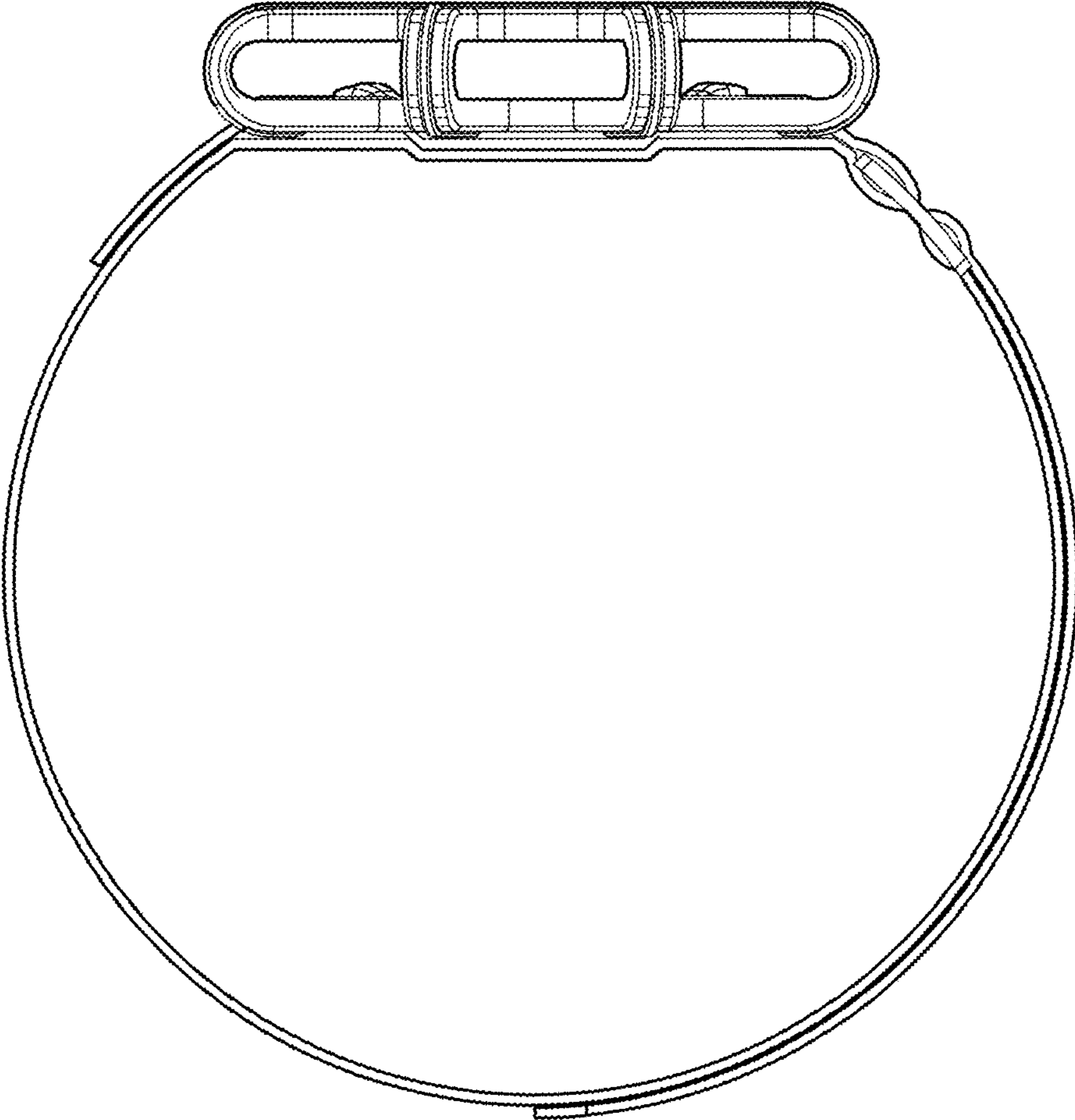


FIG. 7

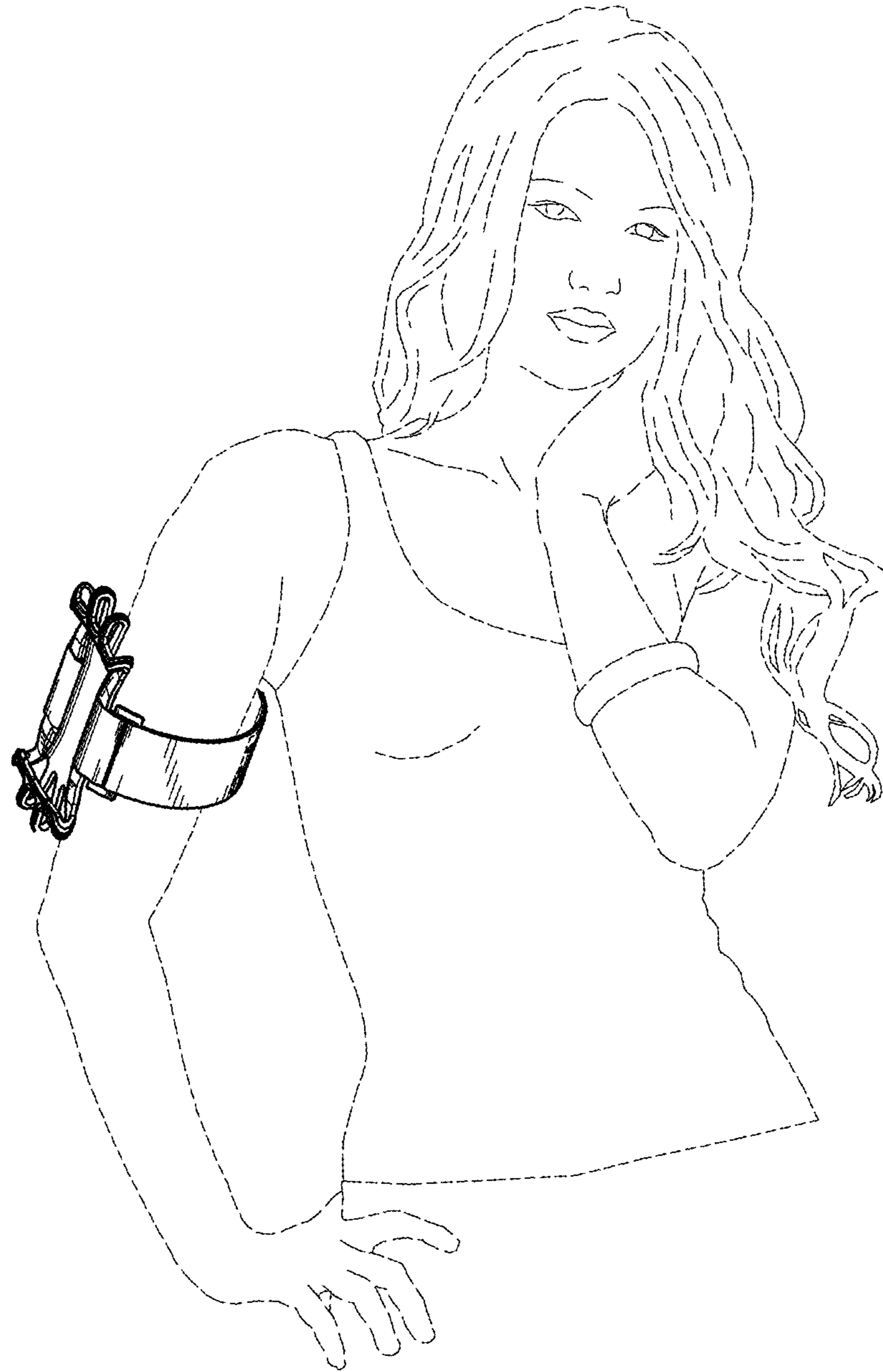


FIG. 8