



US00D821740S

(12) **United States Design Patent**
Martinson

(10) **Patent No.:** **US D821,740 S**
(45) **Date of Patent:** **** Jul. 3, 2018**

- (54) **KEY RING**
- (71) Applicant: **Nite Ize, Inc.**, Boulder, CO (US)
- (72) Inventor: **Daniel J. Martinson**, Medina, MN (US)
- (73) Assignee: **Nite Ize, Inc.**, Boulder, CO (US)
- (**) Term: **15 Years**
- (21) Appl. No.: **29/614,209**
- (22) Filed: **Aug. 16, 2017**
- (51) **LOC (11) Cl.** **03-01**
- (52) **U.S. Cl.**
USPC **D3/207**
- (58) **Field of Classification Search**
USPC D3/207-212; 70/456 B, 457, 458, 408,
70/456 R; D13/168; D8/347; D10/104;
D14/496; 206/37.1; D21/604, 605, 656,
D21/658, 659; 24/3.6; D11/11, 79, 81,
D11/82, 87
CPC H04B 1/034; F04B 15/00; E05B 19/04;
A44B 15/00; A44B 15/002; A44B
15/005; A44B 15/007
See application file for complete search history.

D241,304 S *	9/1976	Sander	D8/333
D357,350 S *	4/1995	Stillwagon	D3/207
D385,415 S *	10/1997	Turbide	D3/207
D539,526 S *	4/2007	Stein	D3/207
D558,446 S *	1/2008	Moran	D3/208
D569,620 S *	5/2008	Stein	D3/307
9,131,758 B2 *	9/2015	Stein	A45C 13/001
D758,067 S *	6/2016	Paik	D3/207
D811,924 S *	3/2018	Haarburger	D11/3

* cited by examiner

Primary Examiner — Ralf Seifert

(74) *Attorney, Agent, or Firm* — Haynes and Boone, LLP;
Robert P. Ziemian

(57) **CLAIM**

The ornamental design for the key ring, as shown and described.

DESCRIPTION

FIG. 1 shows a front perspective view of a key ring;
FIG. 2 shows a rear perspective view of the key ring of FIG. 1;
FIG. 3 shows a front side view of the key ring of FIG. 1;
FIG. 4 shows a rear side view of the key ring of FIG. 1;
FIG. 5 shows a right side view of the key ring of FIG. 1;
FIG. 6 shows a left side view of the key ring of FIG. 1;
FIG. 7 shows a top side view of the key ring of FIG. 1; and,
FIG. 8 shows a bottom side view of the key ring of FIG. 1.

1 Claim, 3 Drawing Sheets

- (56) **References Cited**
U.S. PATENT DOCUMENTS
D59,025 S * 9/1921 McCullough D11/2
D121,212 S * 6/1940 Mix et al. D3/211

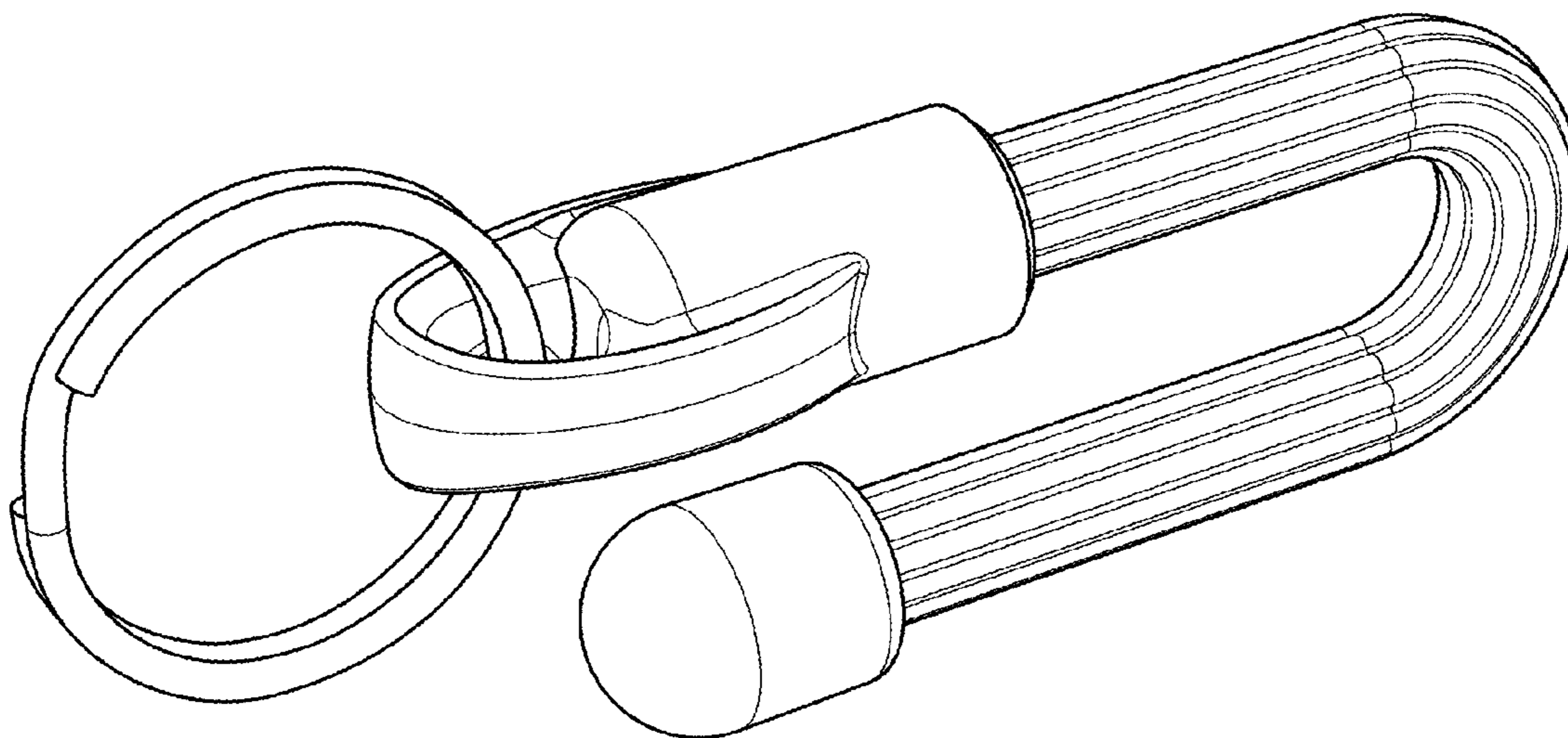


FIG. 1

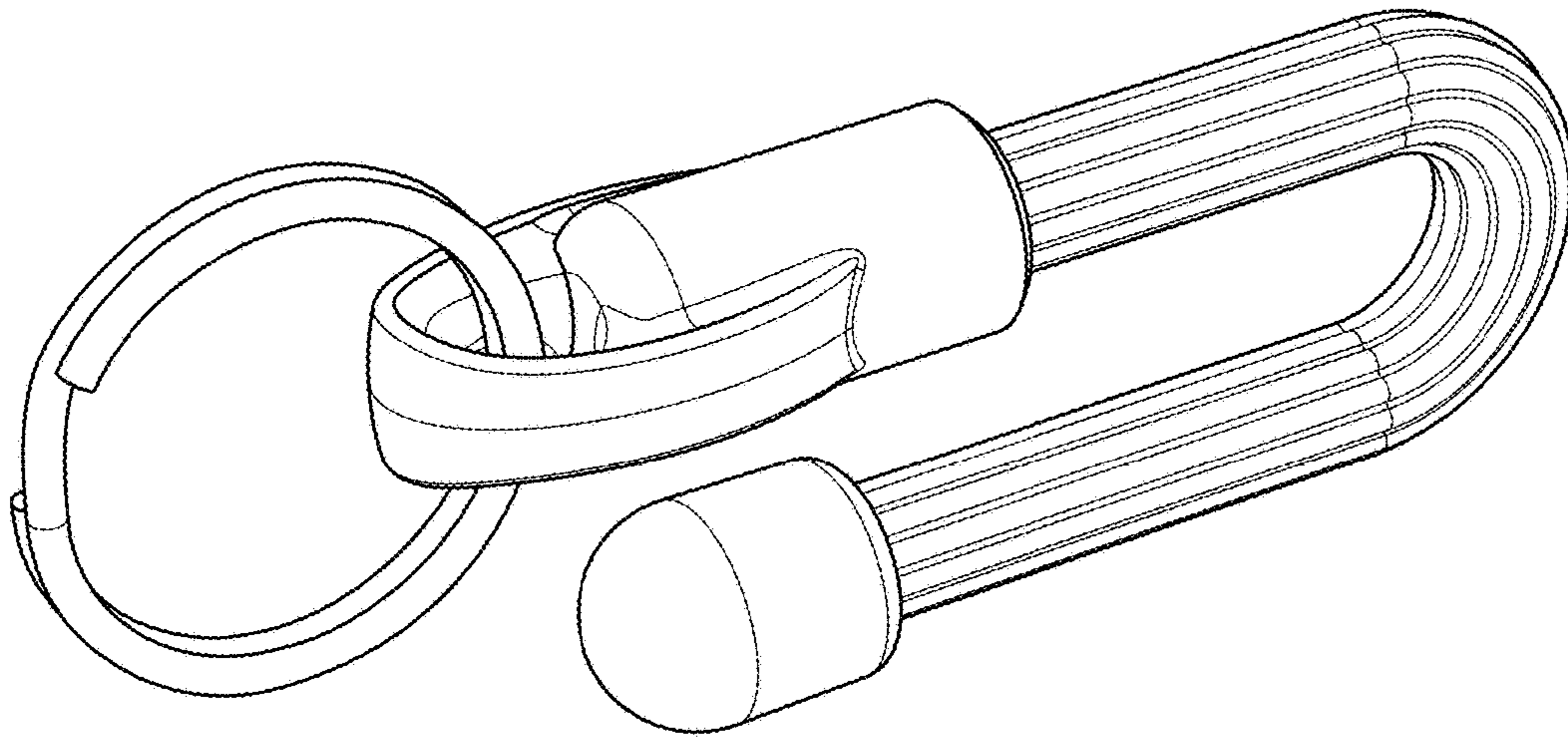


FIG. 2

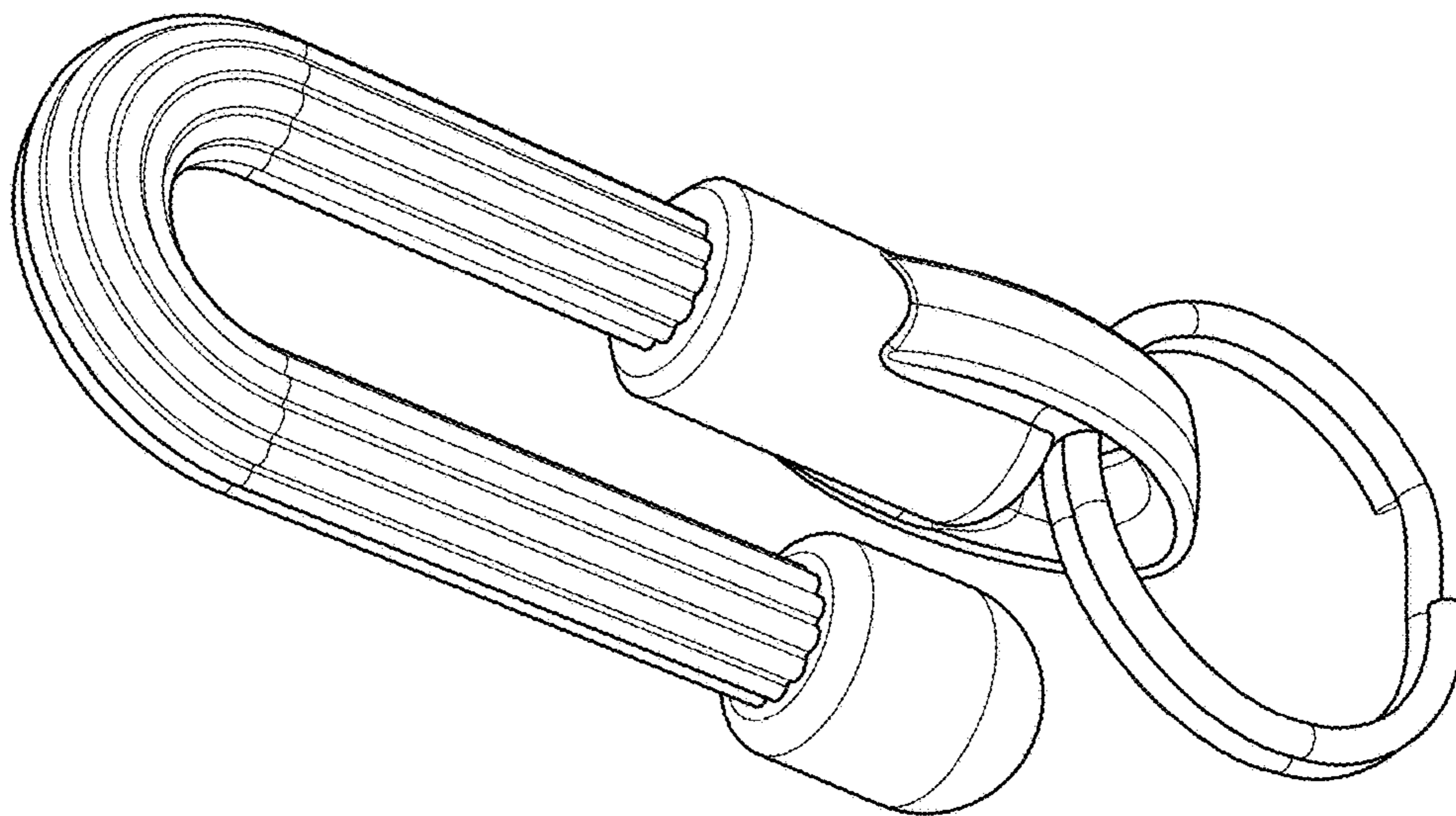


FIG. 3

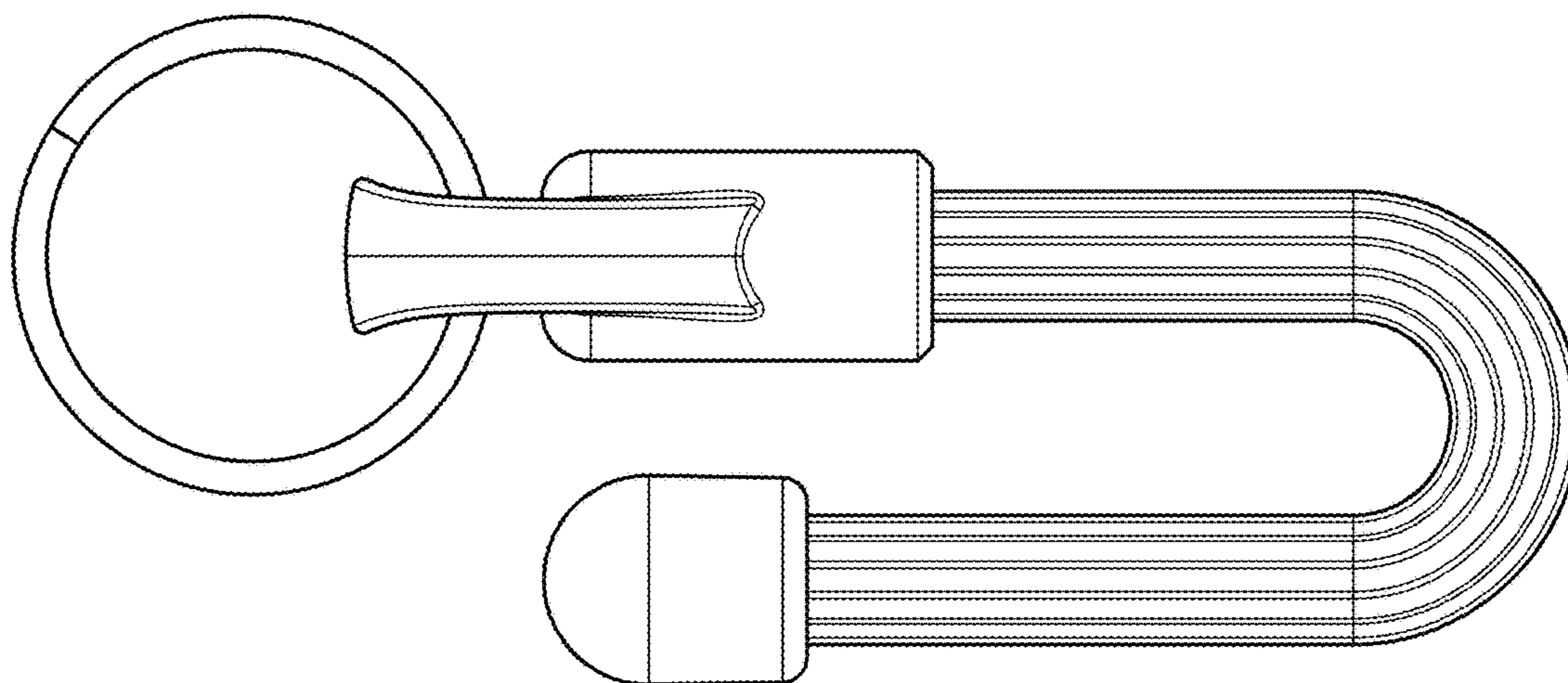


FIG. 4

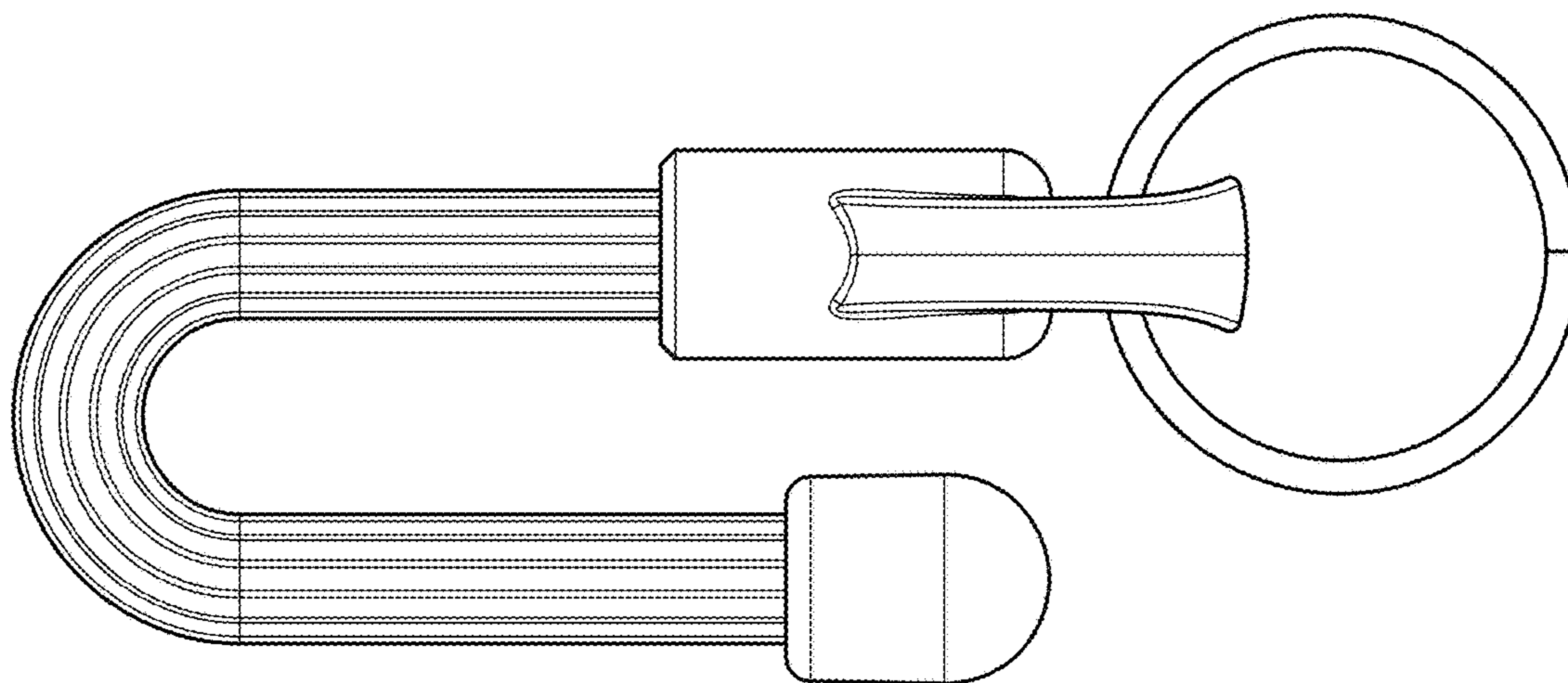


FIG. 5

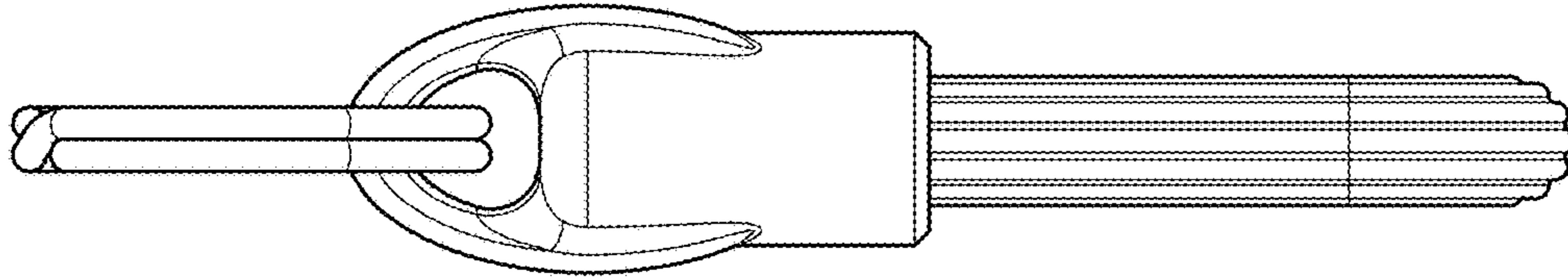


FIG. 6

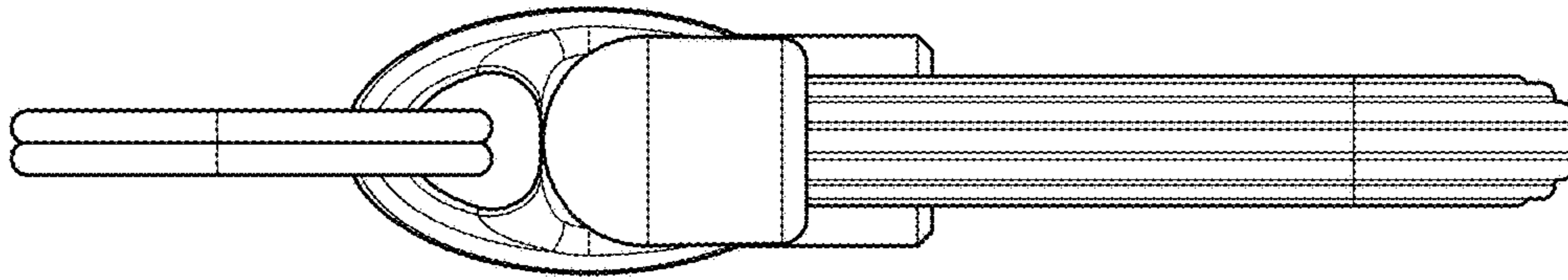


FIG. 7

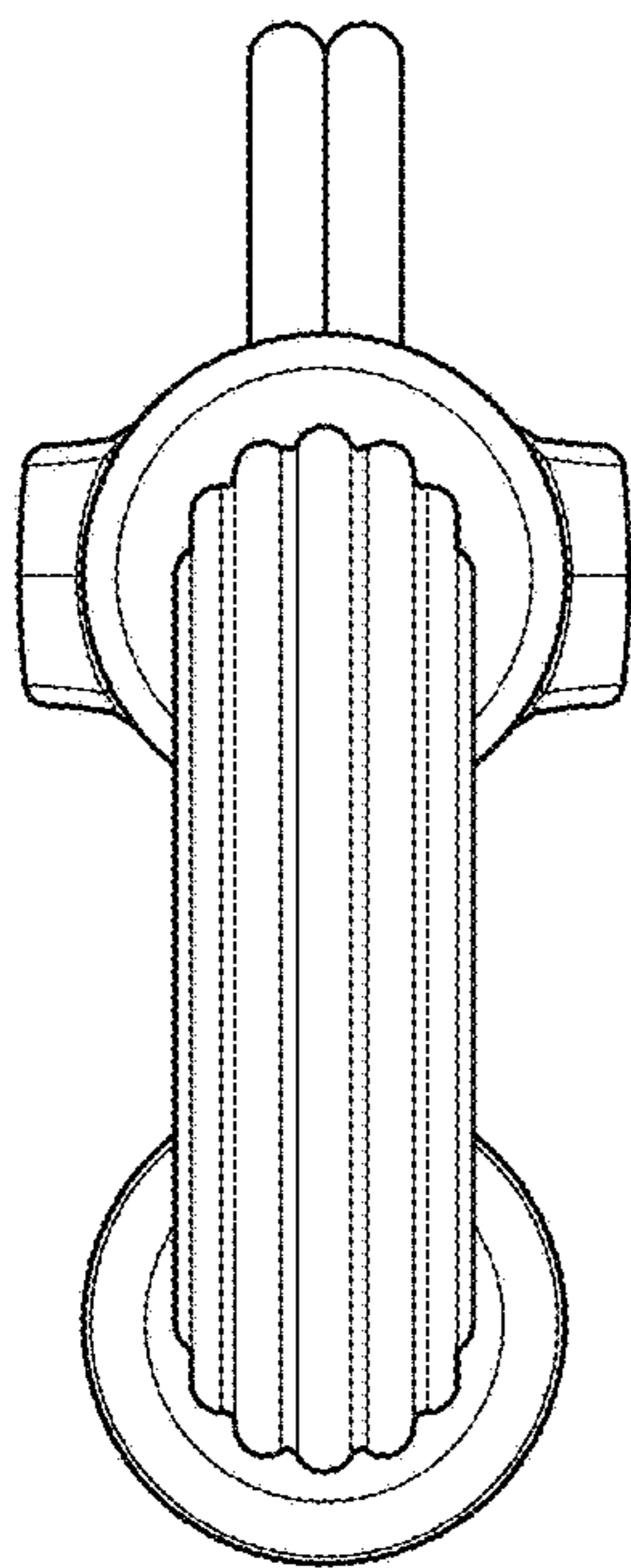


FIG. 8

