



US00D821731S

(12) **United States Design Patent** (10) **Patent No.:** **US D821,731 S**  
**McCaffrey** (45) **Date of Patent:** **\*\* Jul. 3, 2018**

(54) **SHOE**

(56) **References Cited**

(71) Applicant: **MCCAFFREY COMPANY (DESIGN) LIMITED**, Glasgow (GB)

U.S. PATENT DOCUMENTS

(72) Inventor: **Robert McCaffrey**, Glasgow (GB)

1,281,770 A 10/1918 Engel et al.  
3,952,428 A 4/1976 Polsky  
4,062,133 A 12/1977 McGee et al.  
(Continued)

(73) Assignee: **MCCAFFREY COMPANY (DESIGN) LIMITED**, Glasgow (GB)

FOREIGN PATENT DOCUMENTS

(\*\*) Term: **15 Years**

CN 201192109 2/2009  
FR 2652487 4/1991  
(Continued)

(21) Appl. No.: **35/502,133**

OTHER PUBLICATIONS

(22) Filed: **Jun. 23, 2016**

“International Search Report”, PCT Application No. PCT/GB2014/053832, dated Apr. 29, 2015, 4 pages.  
(Continued)

(80) **Hague Agreement Data**

Int. Filing Date: **Jun. 23, 2016**  
Int. Reg. No.: **DM/091973**  
Int. Reg. Date: **Jun. 23, 2016**  
Int. Reg. Pub. Date: **Dec. 23, 2016**

*Primary Examiner* — George D. Kirschbaum  
*Assistant Examiner* — Jennifer L. Watkins  
(74) *Attorney, Agent, or Firm* — Colby Nipper PLLC

(51) **LOC (11) Cl.** ..... **02-99**  
(52) **U.S. Cl.**  
USPC ..... **D2/972**

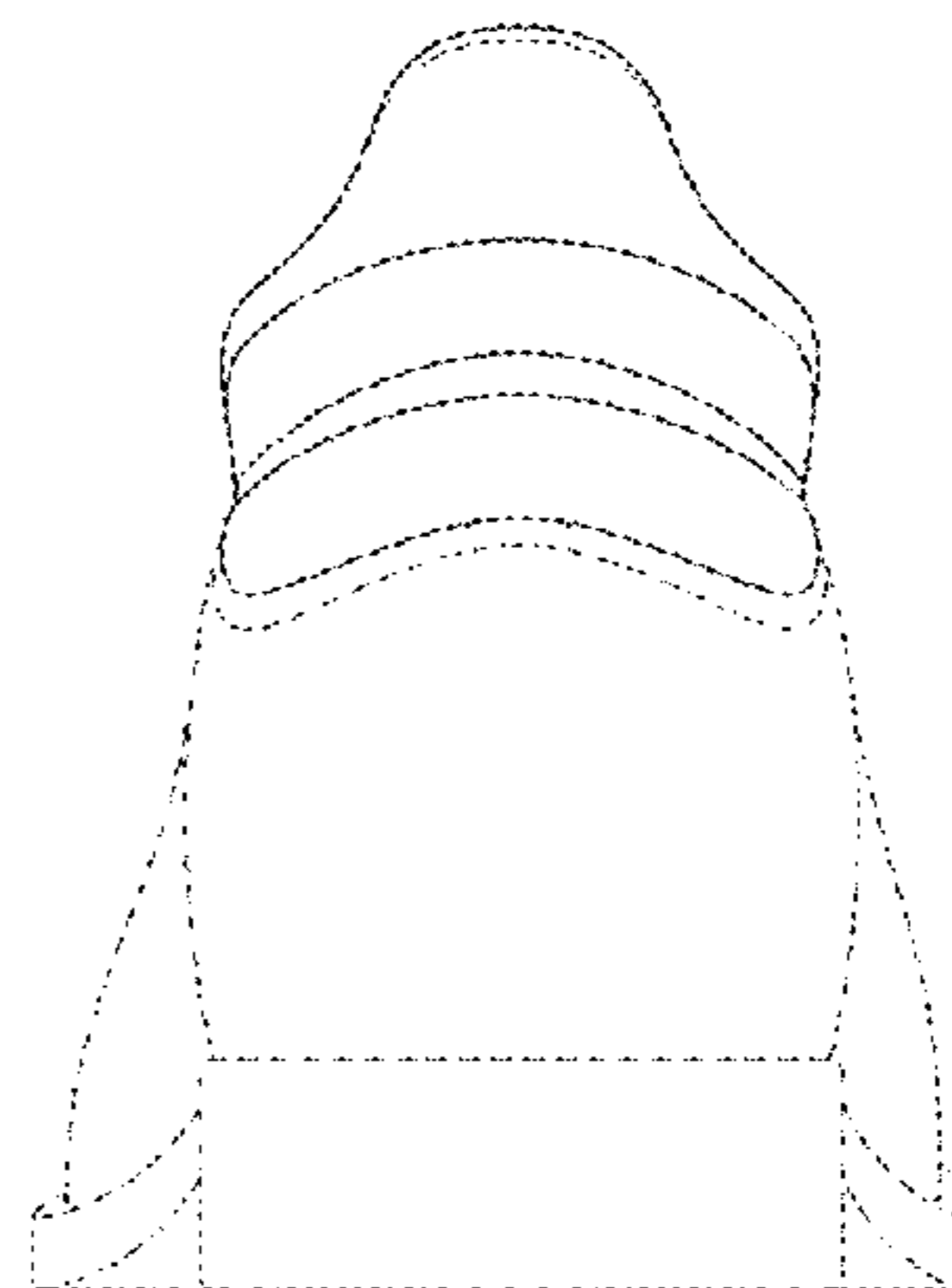
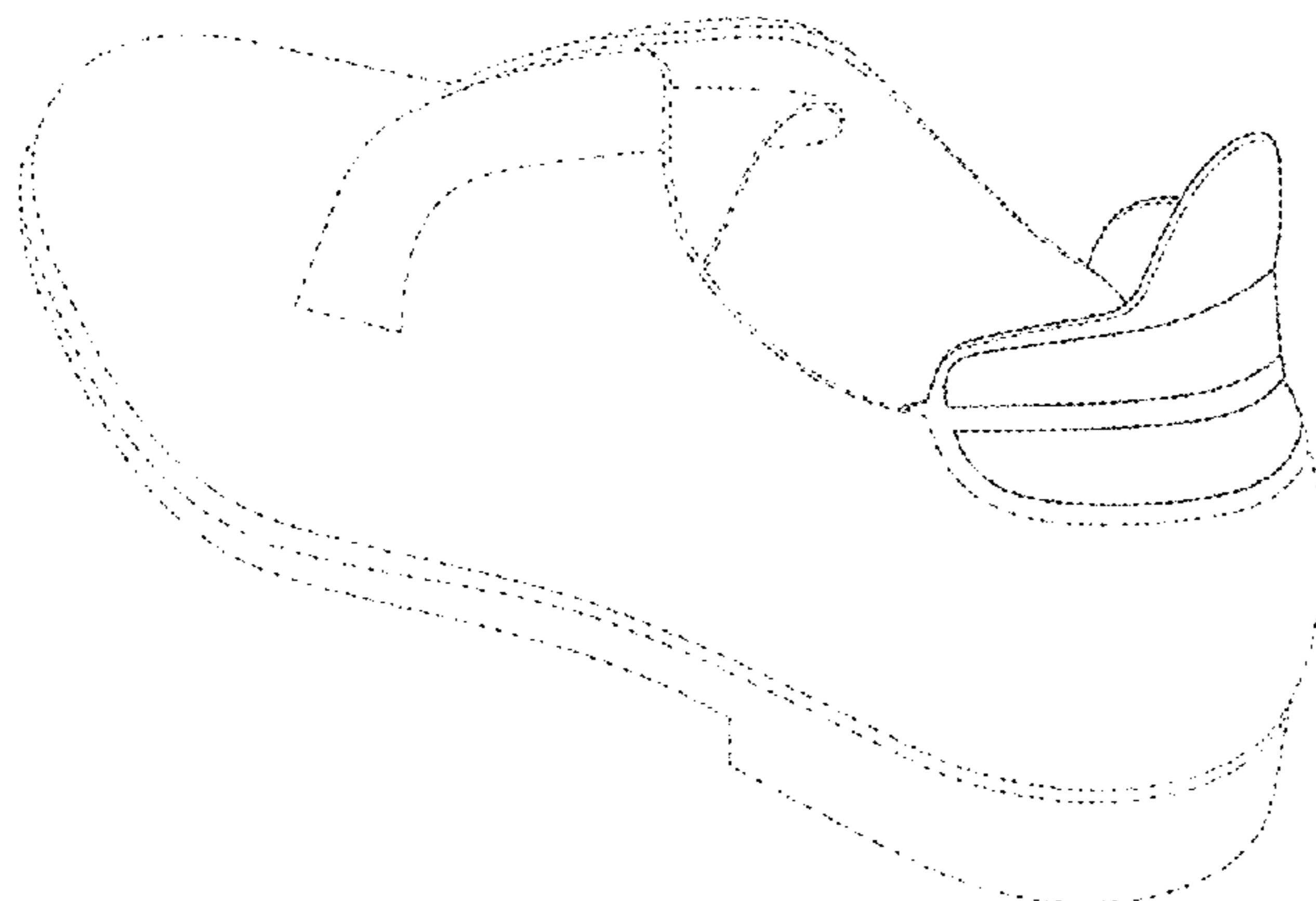
(57) **CLAIM**

The ornamental design for a shoe, as shown and described.

(58) **Field of Classification Search**  
USPC ..... D2/896, 902, 905, 907, 908, 909, 910, D2/911, 912, 943, 944, 945, 946, 947, D2/951, 954, 955, 960, 972, 906, 969, D2/976  
CPC .... A43B 1/00; A43B 3/00; A43B 5/00; A43B 5/001; A43B 5/002; A43B 5/003; A43B 5/007; A43B 5/008; A43B 5/02; A43B 5/025; A43B 5/06; A43B 5/10; A43B 5/14; A43B 13/00; A43B 13/02; A43B 13/023; A43B 13/04; A43B 13/122; A43B 13/223; A43B 13/16; A43B 13/22  
See application file for complete search history.

**DESCRIPTION**

1. Shoes  
**1.1** : Perspective  
**1.2** : Perspective  
**1.3** : Right  
**1.4** : Front  
**1.5** : Back  
**1.6** : Top  
Shoes that have light reflecting portions and foldable flap portions, for walkers and cyclists; fig. **1.1** is a perspective view of a shoe showing my new design with the flap opened; fig. **1.2** is a perspective view of the shoe thereof; fig. **1.3** is  
(Continued)



a side view of the shoe thereof; fig. 1.4 is a front view of the shoe thereof; fig. 1.5 is a back view of the shoe thereof; fig. 1.6 is a top view of the shoe thereof.  
The broken line showing of a shoe is for the purpose of illustrating portions of the article and forms no part of the claim.

**1 Claim, 6 Drawing Sheets**

2004/0100792	A1	5/2004	Trzeciecki	
2005/0037844	A1	2/2005	Shum et al.	
2008/0086906	A1	4/2008	Wilkenfeld	
2008/0201981	A1	8/2008	Halberstadt et al.	
2009/0278707	A1	11/2009	Biggins et al.	
2011/0225852	A1*	9/2011	Mahoney .....	A43B 13/12 36/30 R
2013/0263476	A1	10/2013	Santos et al.	
2014/0150298	A1*	6/2014	Crowley .....	A43B 7/1445 36/103
2016/0331067	A1	11/2016	McCaffrey	

(56)

**References Cited**

U.S. PATENT DOCUMENTS

4,662,090	A	5/1987	Solano	
5,862,614	A	1/1999	Koh	
5,996,251	A	12/1999	Laduca	
D576,399	S *	9/2008	Grenet .....	D2/946
D603,155	S *	11/2009	Della Valle .....	D2/976
D654,680	S *	2/2012	Mochen .....	D2/906
D659,971	S *	5/2012	Hurayt .....	D2/969
D667,212	S *	9/2012	Reilly .....	D2/976
D671,307	S *	11/2012	Gilboa .....	D2/969
D707,026	S *	6/2014	Michetti .....	D2/972
D751,797	S *	3/2016	Slimane .....	D2/908
D770,158	S *	11/2016	de Montgolfier .....	D2/972
D781,558	S *	3/2017	Cin .....	D2/972
D781,562	S *	3/2017	Klein .....	D2/972
D783,991	S *	4/2017	Chang .....	D2/972
D789,064	S *	6/2017	Madore .....	D2/972
D792,082	S *	7/2017	Chang .....	D2/972
D793,701	S *	8/2017	Parker .....	D2/972
D796,176	S *	9/2017	Raysse .....	D2/969
D796,829	S *	9/2017	de Montgolfier .....	D2/972
D797,433	S *	9/2017	Jury .....	D2/972
2003/0009919	A1	1/2003	Stein	

FOREIGN PATENT DOCUMENTS

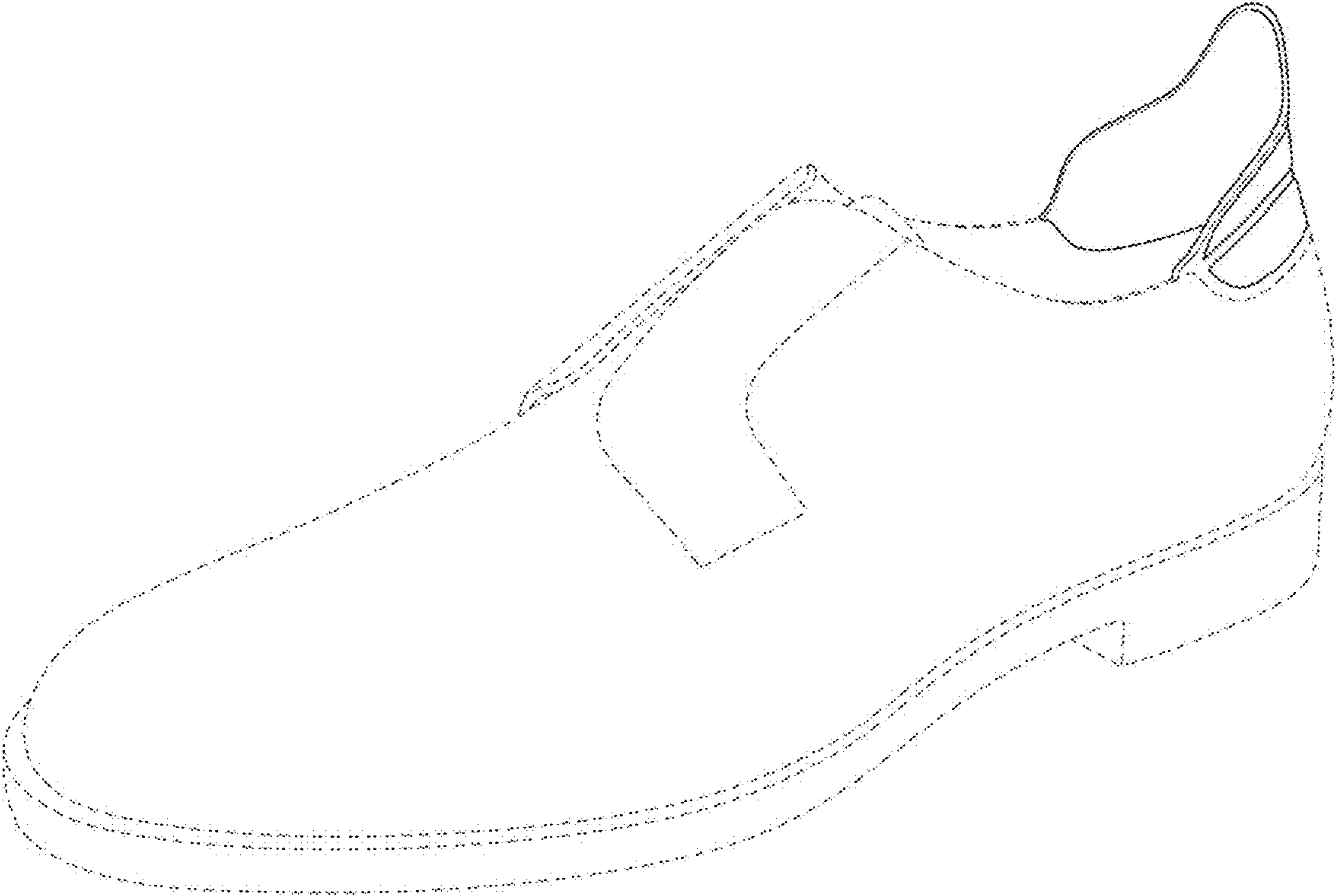
GB	100451	5/1916
GB	2321586	8/1998
WO	2011071252	6/2011
WO	2015092445	6/2015

OTHER PUBLICATIONS

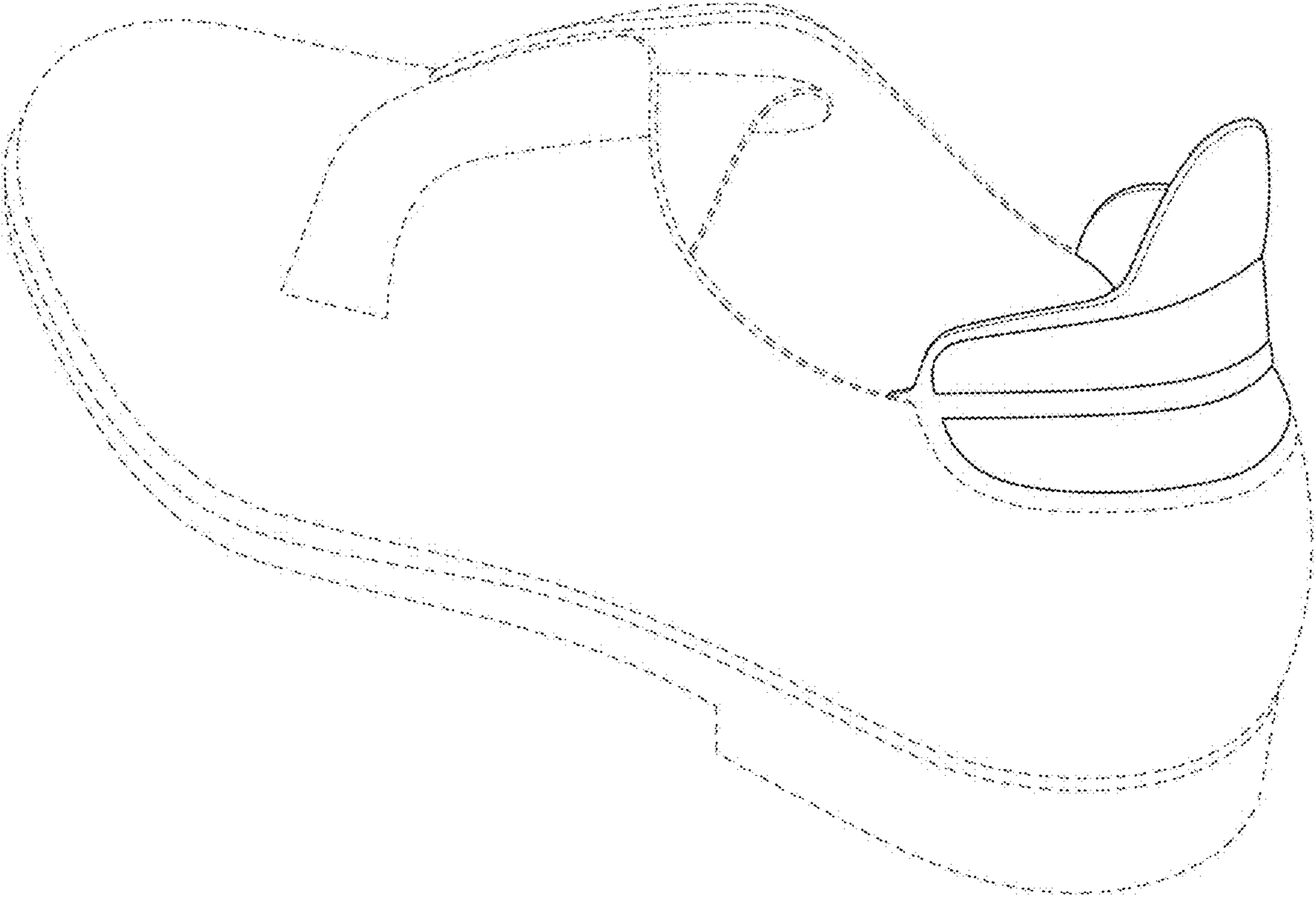
“Non-Final Office Action”, U.S. Appl. No. 15/106,386, dated Oct. 6, 2017, 10 pages.  
 “PCT Preliminary Report”, PCT/GB2014/053832, dated Jun. 21, 2016, 6 pages.  
 “Preliminary Report on Patentability”, PCT Application No. PCT/GB2014/053832, dated Jun. 21, 2016, 6 pages.  
 “UK Search Report”, GB Application No. 1322792.1, dated Jul. 2, 2014, 2 pages.  
 “Written Opinion”, PCT Application No. PCT/GB2014/053832, dated Jun. 25, 2015, 5 pages.  
 Morse, “Dromarti—Art for Your Feet, Why I Ride”, <http://morsebici.blogspot.com/2011/05/dromarti-art-for-your-feet.html>, May 1, 2011, 4 pages.

\* cited by examiner

1.1



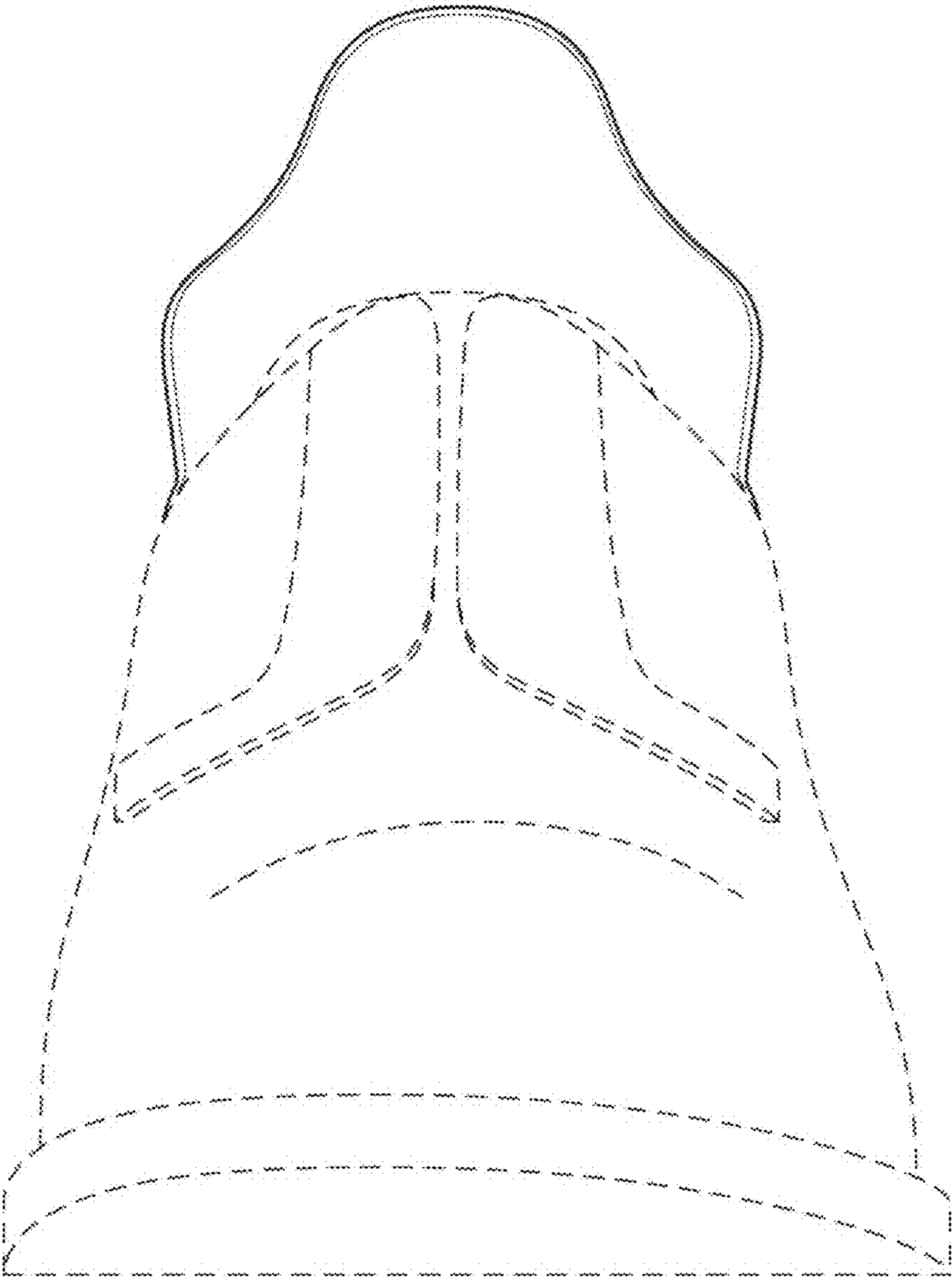
1.2



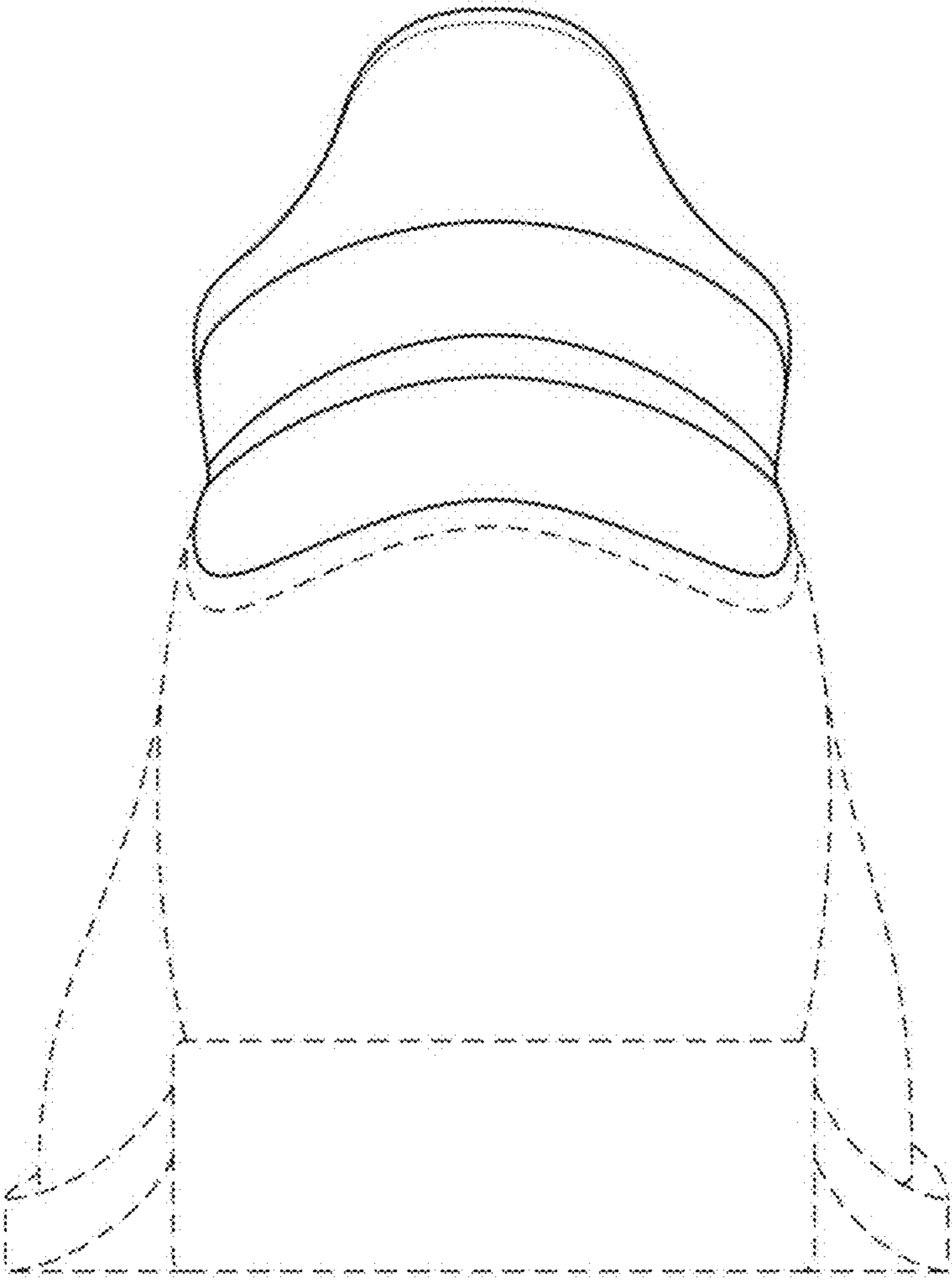
1.3



1.4



1.5



1.6

