



US00D821723S

(12) **United States Design Patent**
Livingston et al.

(10) **Patent No.:** **US D821,723 S**
(45) **Date of Patent:** **** Jul. 3, 2018**

- (54) **RECREATIONAL SHOE SPIKE**
- (71) Applicant: **HORST ENGINEERING & MANUFACTURING CO.**, East Hartford, CT (US)
- (72) Inventors: **Scott M. Livingston**, Bolton, CT (US); **Arthur Roti**, Granby, CT (US)
- (73) Assignee: **HORST ENGINEERING & MANUFACTURING CO.**, East Hartford, CT (US)
- (**) Term: **15 Years**
- (21) Appl. No.: **29/604,954**
- (22) Filed: **May 22, 2017**

Related U.S. Application Data

- (62) Division of application No. 29/536,253, filed on Aug. 14, 2015, now Pat. No. Des. 792,071.
- (51) **LOC (11) Cl.** **02-99**
- (52) **U.S. Cl.**
USPC **D2/962**
- (58) **Field of Classification Search**
USPC D2/896, 906, 908, 946, 962, 963, 968
CPC A43B 1/00; A43B 3/00; A43B 5/00; A43B 5/001; A43B 5/002; A43B 5/003; A43B 5/18; A43B 5/185; A43C 13/00; A43C 13/02; A43C 13/04; A43C 13/06; A43C 13/08; A43C 13/10; A43C 13/12; A43C 15/00; A43C 15/005; A43C 15/02; A43C 15/04; A43C 15/06; A43C 15/061; A43C 15/063; A43C 15/065; A43C 15/066; A43C 15/068; A43C 15/08; A43C 15/09; A43C 15/10; A43C 15/12; A43C 15/14; A43C 15/16; A43C 15/161; A43C 15/162; A43C 15/164; A43C 15/165; A43C 15/167; A43C 15/168; A43C 15/18
See application file for complete search history.

(56) **References Cited**

U.S. PATENT DOCUMENTS

D15,490 S *	10/1884	Mundy	D2/962
D15,491 S *	10/1884	Mundy	D2/962
D26,587 S *	2/1897	Rowe	168/42
D27,542 S *	8/1897	Whitaker	168/42
D105,159 S *	6/1937	Wilcox	D2/962
2,787,843 A *	4/1957	Phillips	A43C 15/161 36/59 R
D198,123 S *	5/1964	Grant	D2/962
3,133,364 A *	5/1964	Wormelle, Jr.	A43C 15/161 36/67 D
3,195,246 A *	7/1965	Ueda	A43C 15/161 36/67 D
D320,882 S *	10/1991	Collins	D2/962

(Continued)

Primary Examiner — Elizabeth J Oswecki

(74) *Attorney, Agent, or Firm* — Damian Wasserbauer, Esq.; Wasserbauer Law LLC

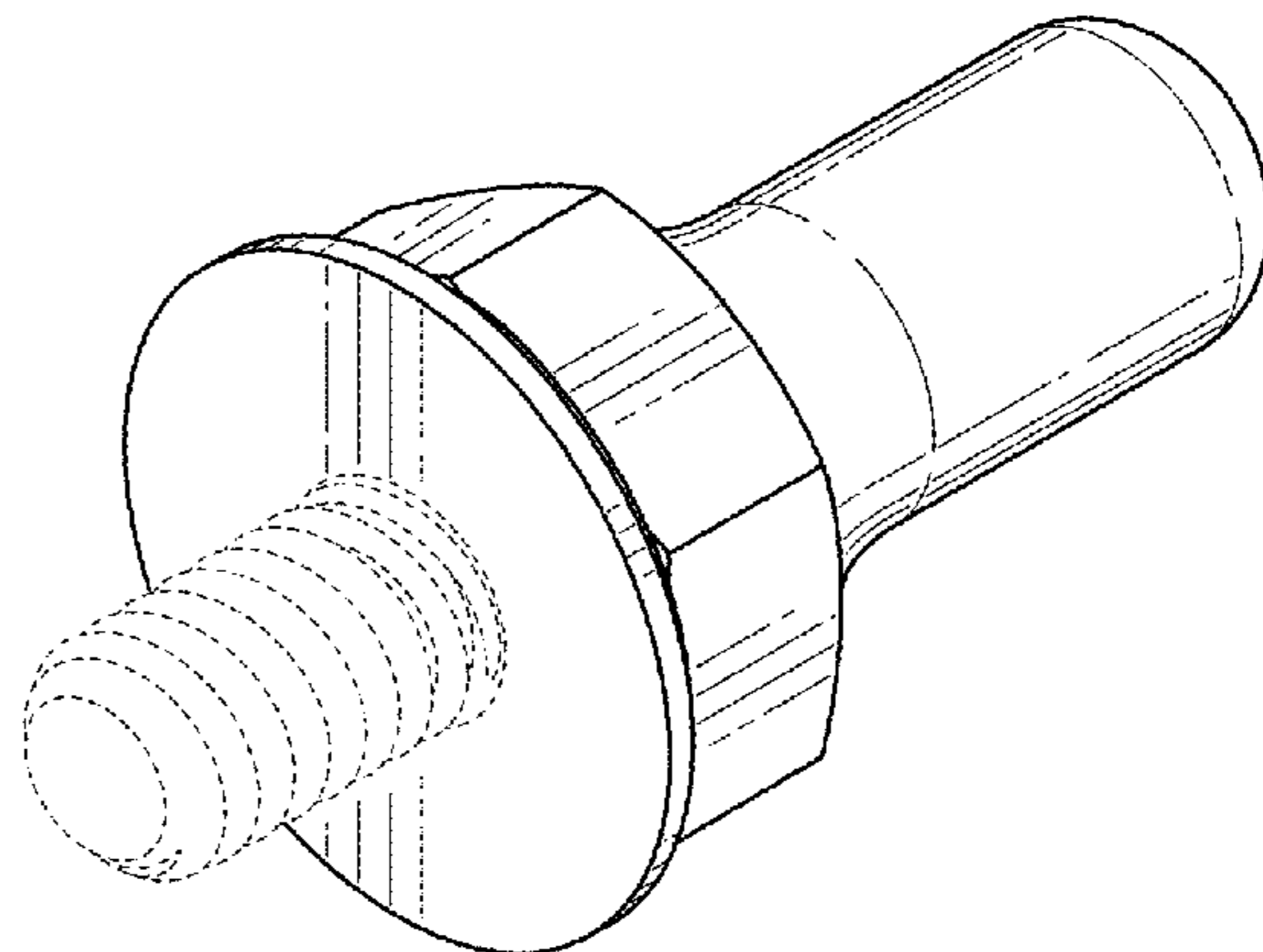
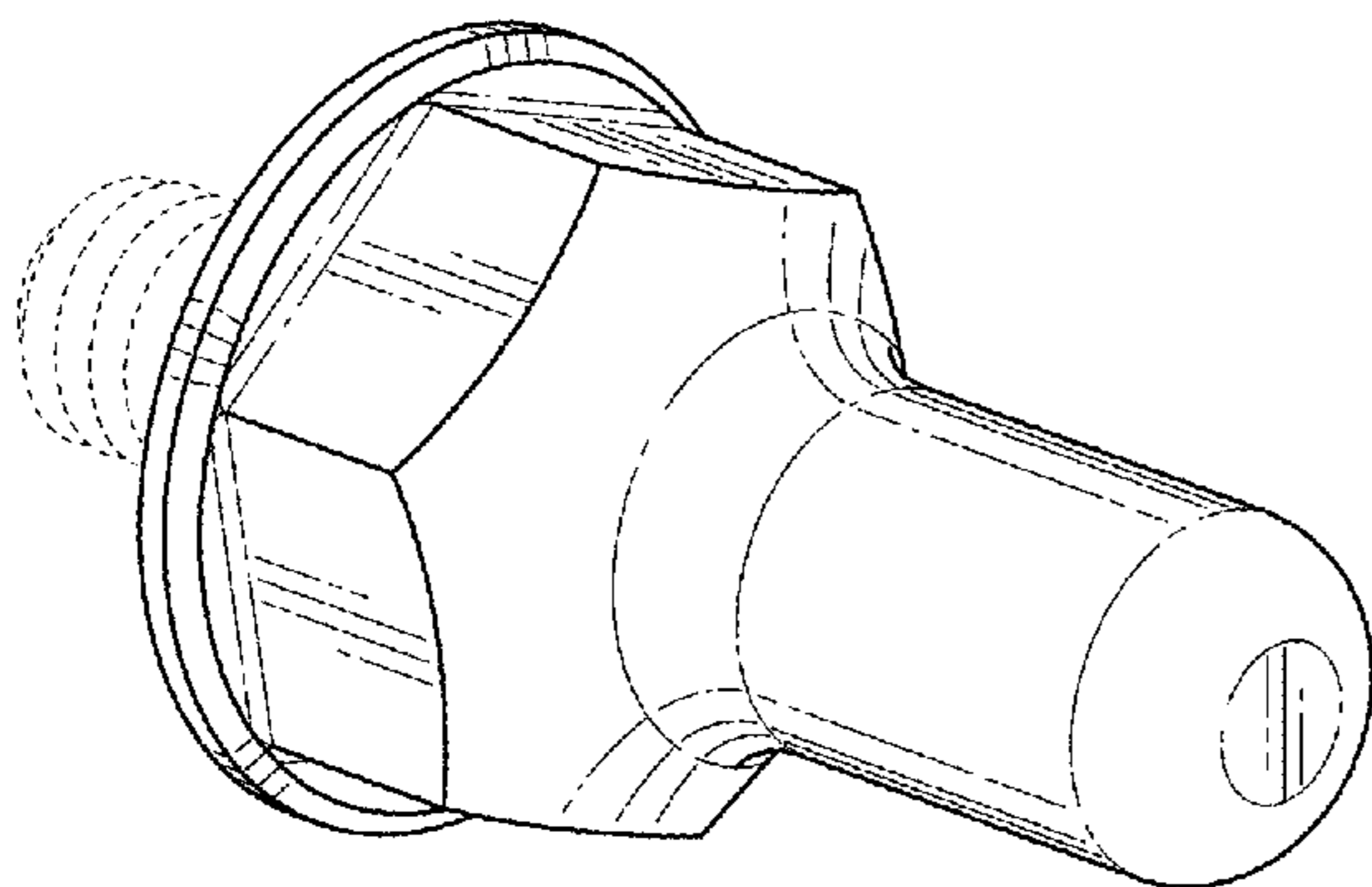
(57) **CLAIM**

The ornamental design for a recreational shoe spike, as shown and described.

DESCRIPTION

FIG. 1 is a front perspective view of a recreational shoe spike showing our new design;
 FIG. 2 is a rear perspective view thereof;
 FIG. 3 is a bottom view thereof;
 FIG. 4 is a side view thereof;
 FIG. 5 is an opposite side view thereof;
 FIG. 6 is a front view thereof;
 FIG. 7 is a rear view thereof;
 FIG. 8 is a top view thereof; and,
 FIG. 9 is a perspective view thereof, shown in a used condition with a shoe shown in broken lines.
 The broken lines of cross shoe and threads in the views form no part of the claimed design.

1 Claim, 5 Drawing Sheets



(56)

References Cited

U.S. PATENT DOCUMENTS

D374,762 S	*	10/1996	Grant	D2/962
D388,949 S	*	1/1998	Savoie	D2/962
D439,732 S	*	4/2001	Grant	D2/962
D450,432 S	*	11/2001	Savoie	D2/962
D450,433 S	*	11/2001	Savoie	D2/962
D450,434 S	*	11/2001	Savoie	D2/962
D450,435 S	*	11/2001	Savoie	D2/962
D450,436 S	*	11/2001	Savoie	D2/962
D451,265 S	*	12/2001	Savoie	D2/962
D469,245 S	*	1/2003	Savoie	D2/962
D493,953 S	*	8/2004	Chang	D2/962
D580,144 S	*	11/2008	Lussier	D2/946
D792,071 S	*	7/2017	Livingston	D2/962

* cited by examiner

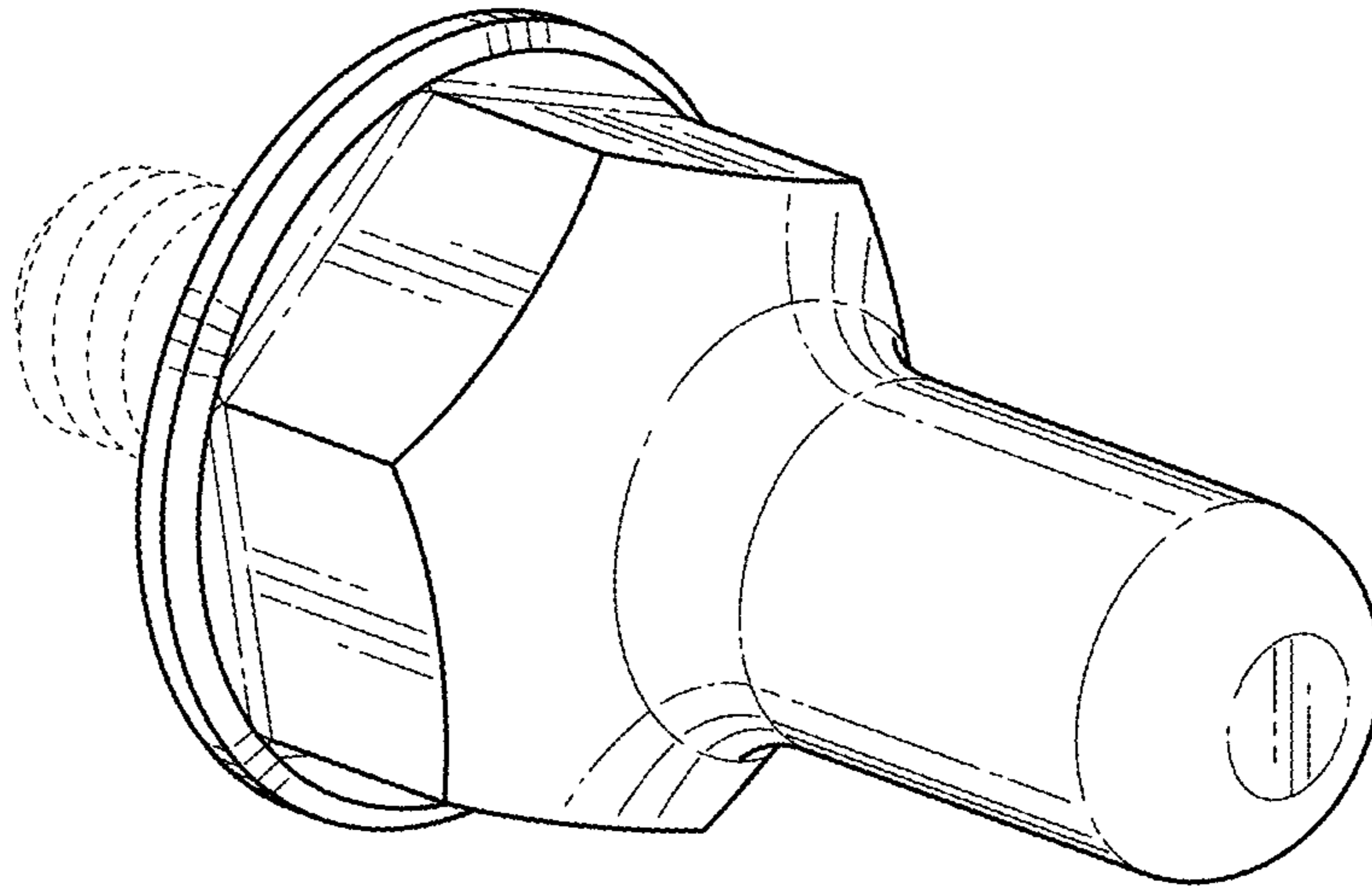


FIG. 1

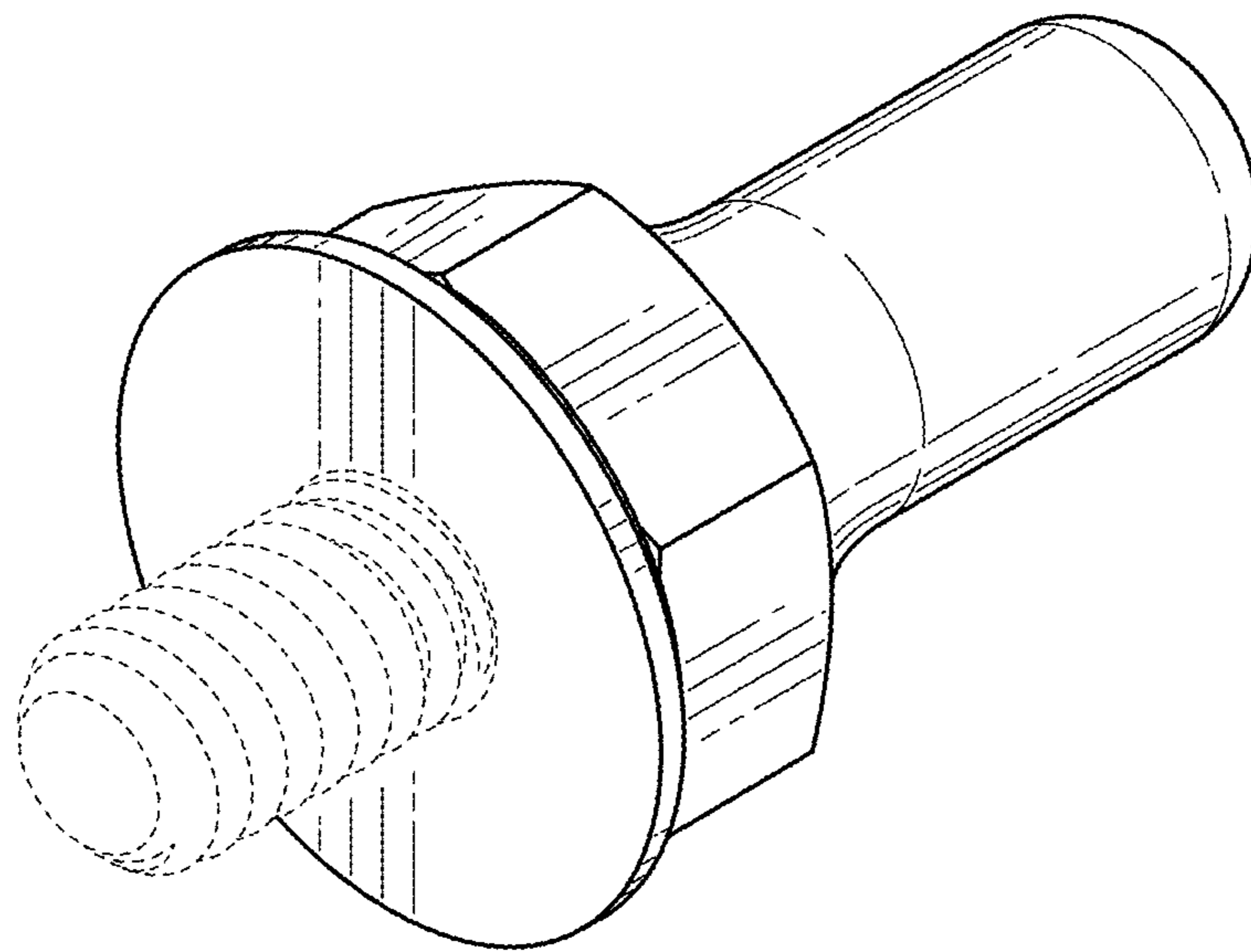


FIG. 2

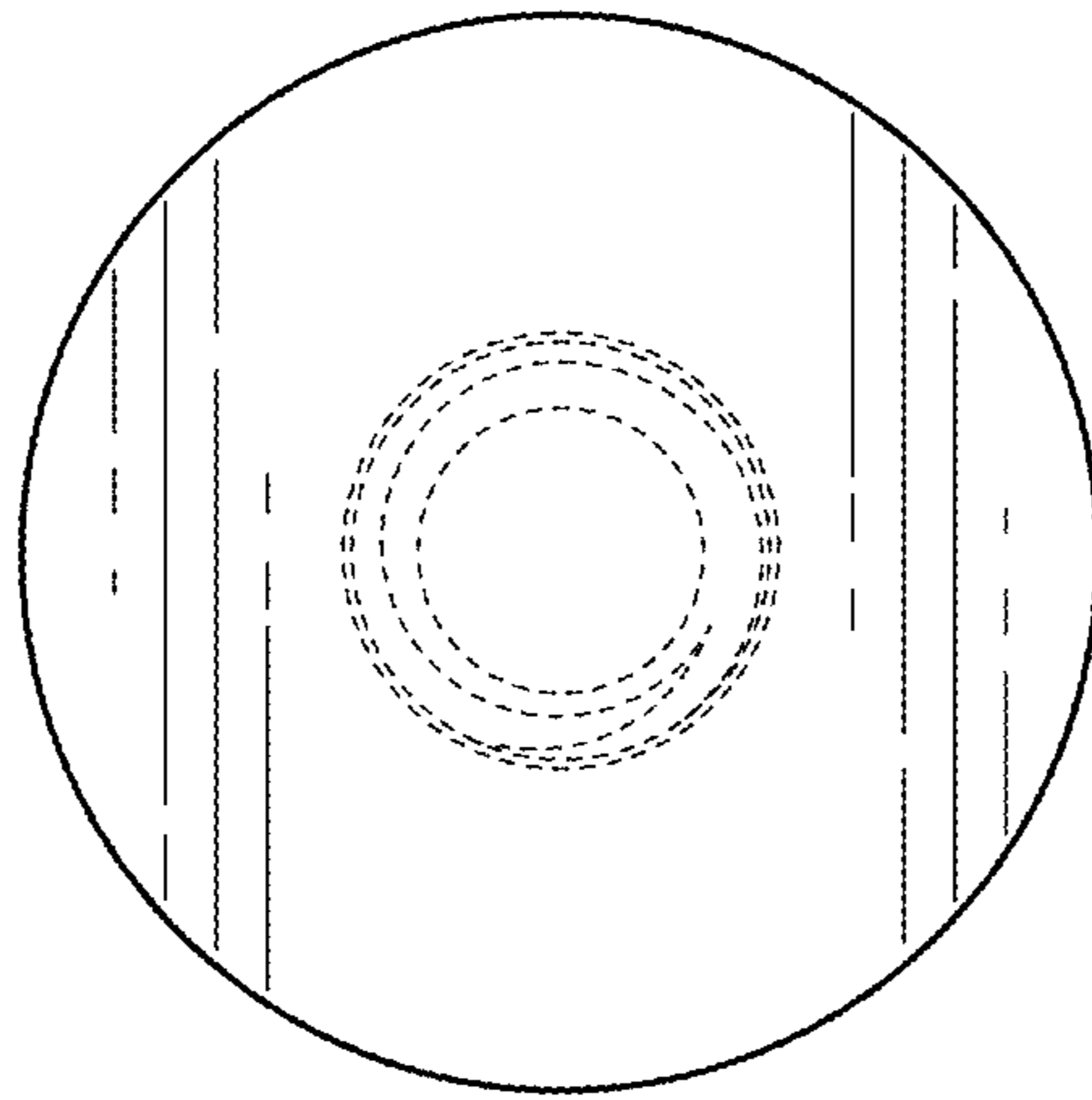


FIG. 3

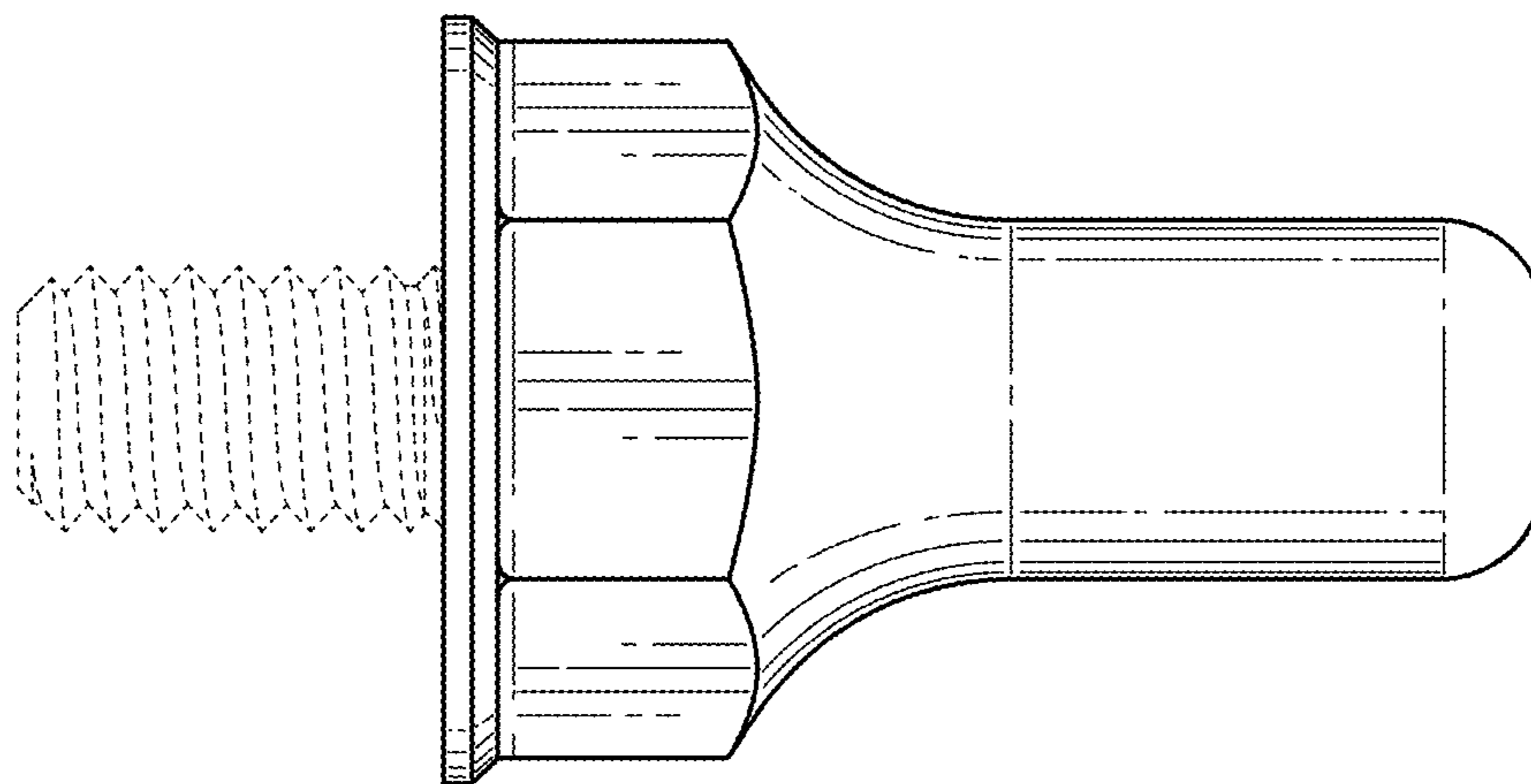


FIG. 4

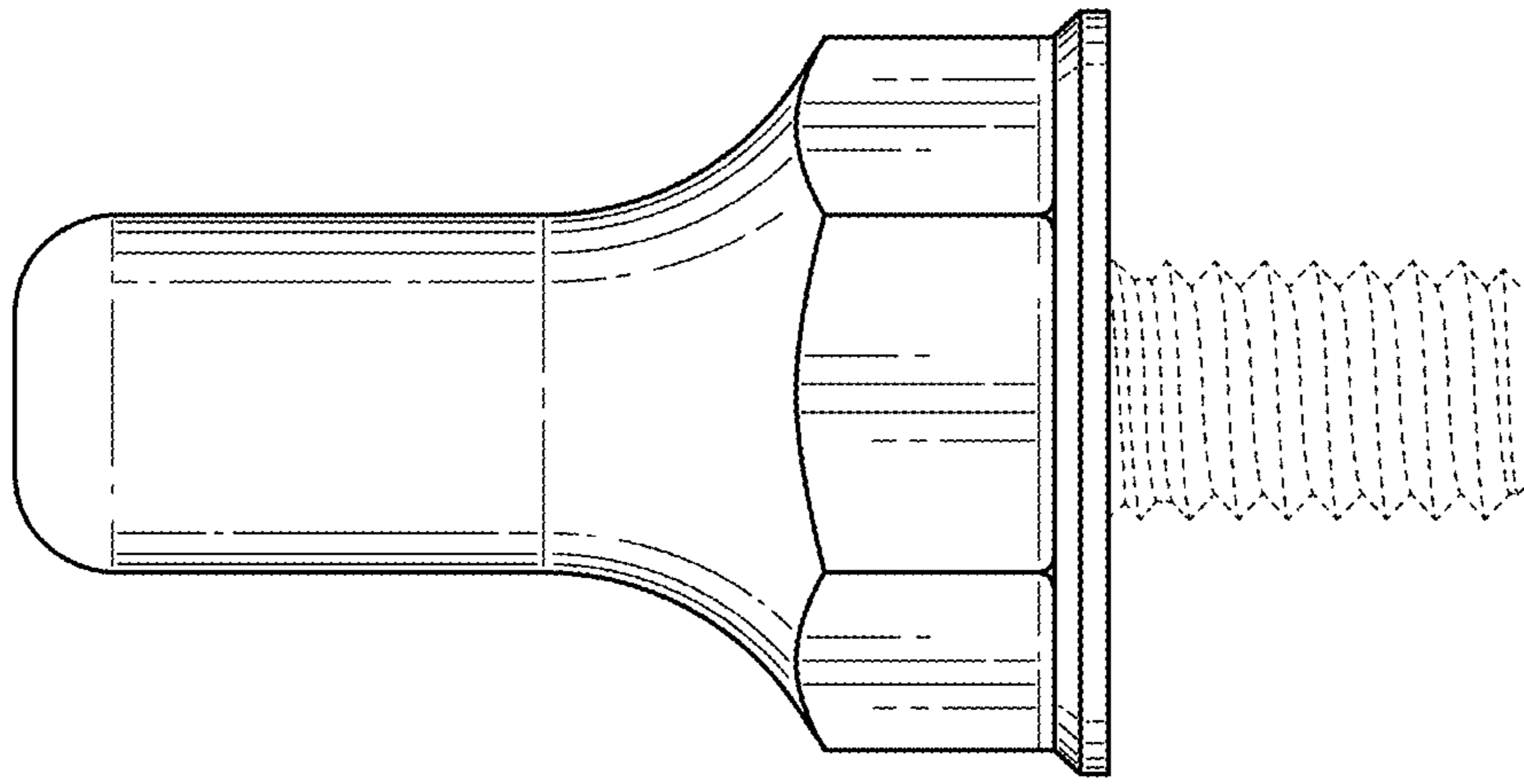


FIG. 5

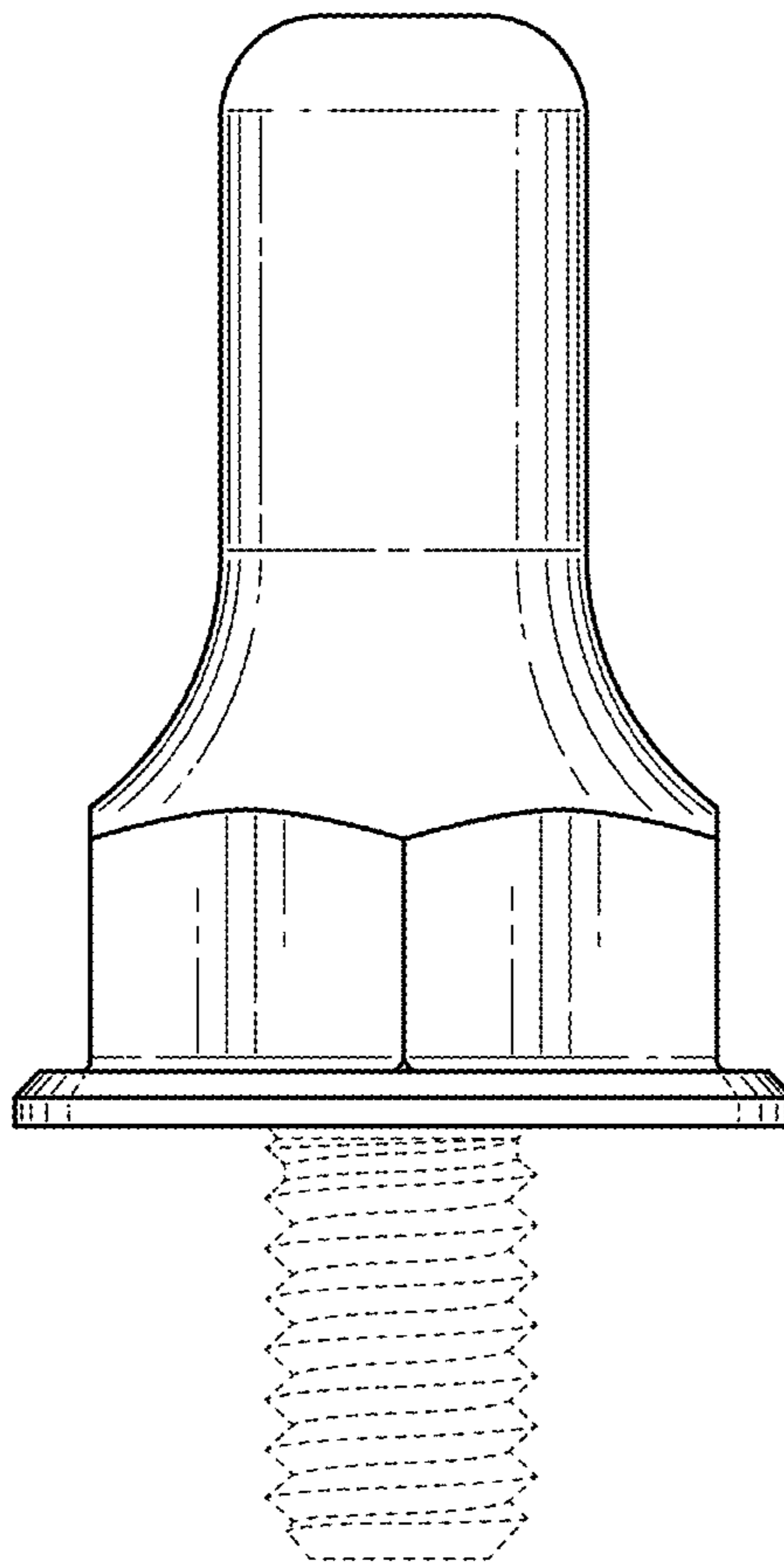


FIG. 6

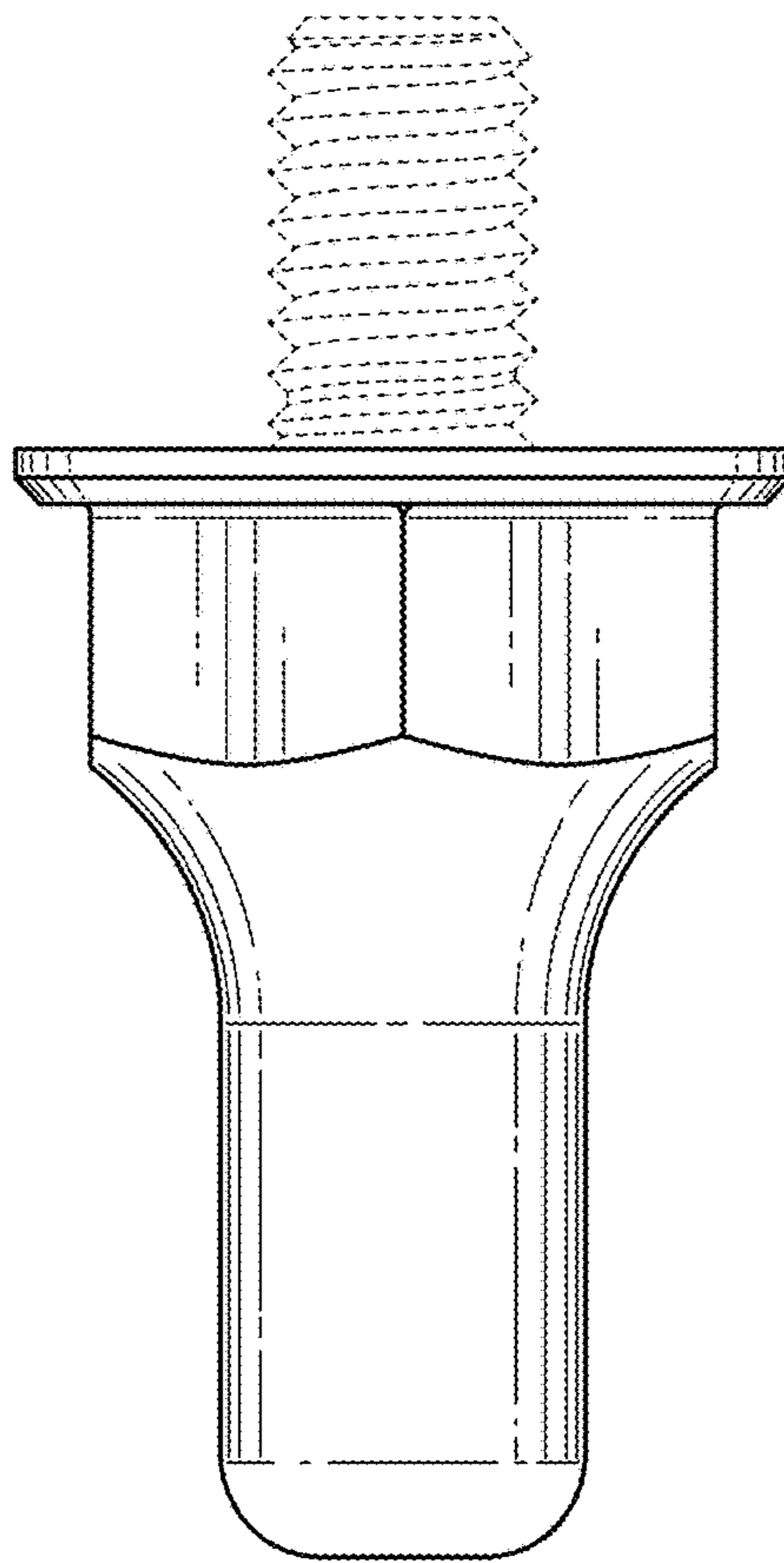


FIG. 7

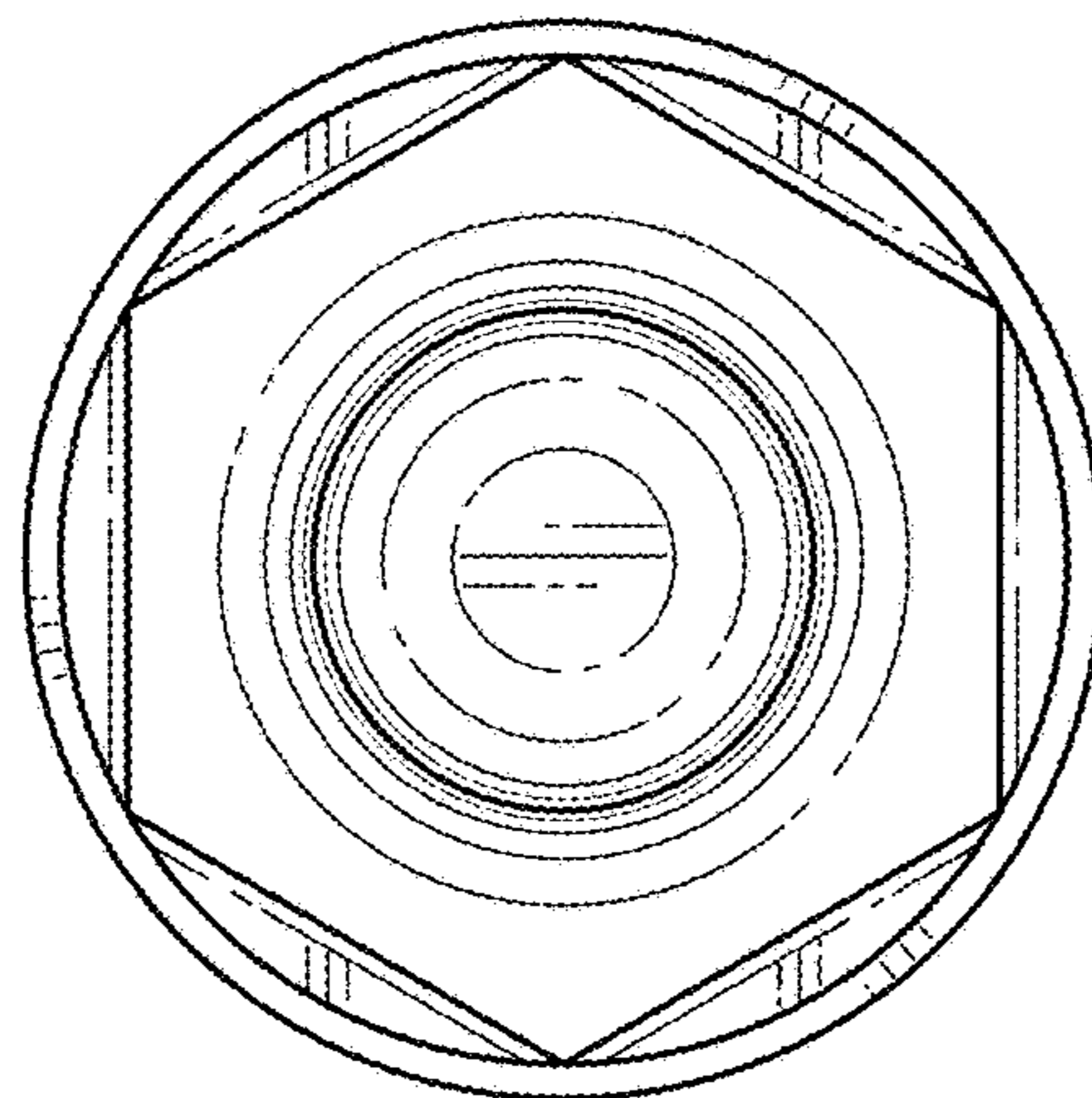


FIG. 8

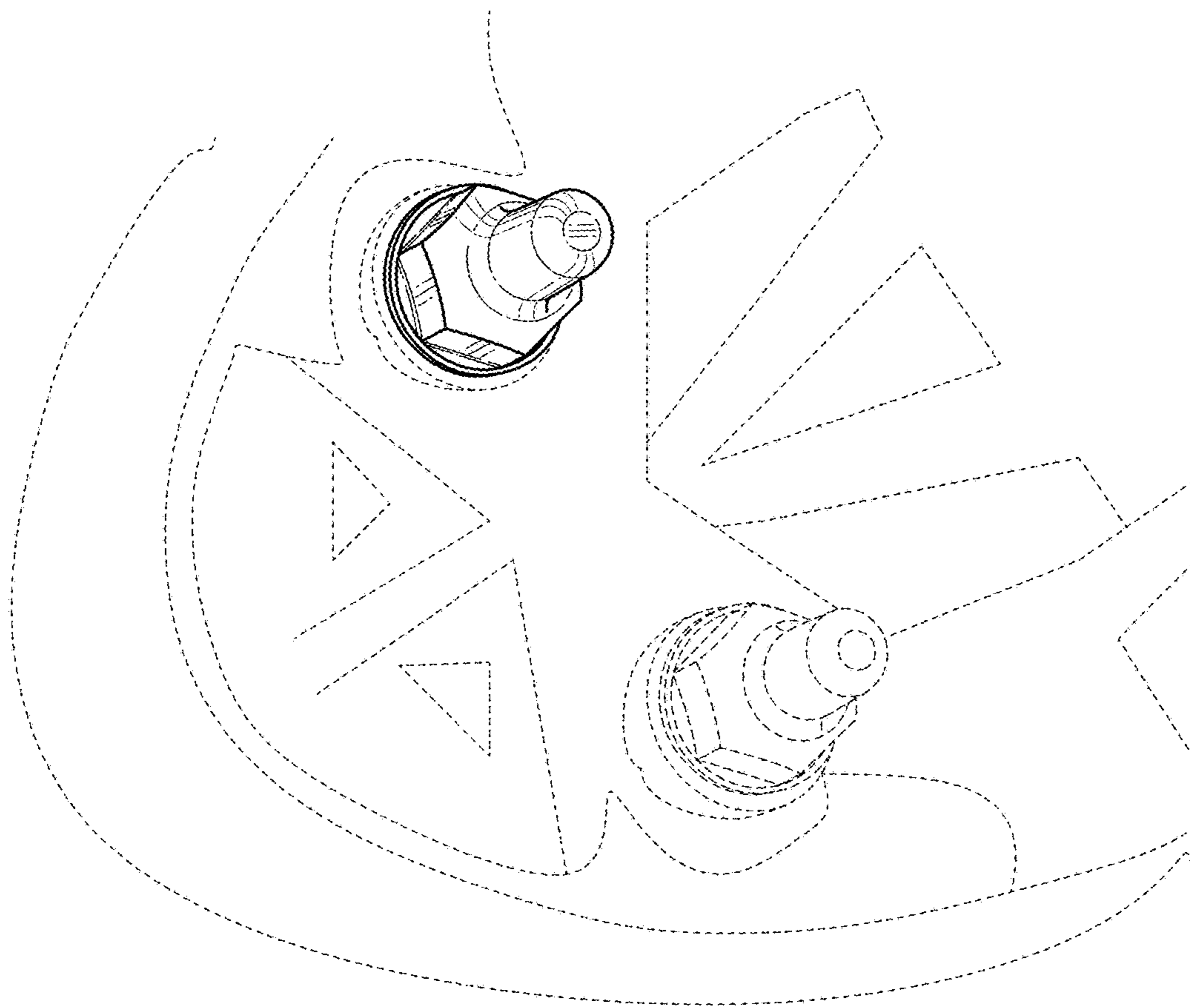


FIG. 9