



US00D821687S

(12) **United States Design Patent**  
**Stevens**

(10) **Patent No.:** **US D821,687 S**  
(45) **Date of Patent:** **\*\* Jul. 3, 2018**

(54) **FOOD PRODUCT**

(71) Applicant: **Mars, Incorporated**, McLean, VA (US)

(72) Inventor: **Kelly Stevens**, Batley (GB)

(73) Assignee: **Mars, Incorporated**, McLean, VA (US)

(\*\*) Term: **15 Years**

(21) Appl. No.: **29/588,236**

(22) Filed: **Dec. 19, 2016**

(51) **LOC (11) Cl.** ..... **01-01**

(52) **U.S. Cl.**

USPC ..... **D1/122**

(58) **Field of Classification Search**

USPC ..... D1/100–130, 199; 426/104, 108, 138,  
426/391, 549, 808, 94, 143, 559, 560;  
D11/40, 43, 79; D24/101–104; 446/118,  
446/128; D21/484, 499, 503, 756;  
D14/212, 218; D23/393, 422; D30/160;  
D25/119, 122; D8/354, 382; D26/138;  
D15/138; 52/254, 843

CPC ..... A21D 13/0029; A21D 13/0074; A21D  
13/0022; A21D 13/0006; A23L 1/1641;  
A23L 1/005

See application file for complete search history.

(56) **References Cited**

**U.S. PATENT DOCUMENTS**

1,996,997 A \* 4/1935 Inman ..... B65D 5/0254  
229/104  
5,712,030 A \* 1/1998 Goto ..... B23B 27/145  
407/119  
D501,841 S \* 2/2005 Hsu ..... D14/168

(Continued)

*Primary Examiner* — Katie Jane Stofko

(74) *Attorney, Agent, or Firm* — Greenberg Traurig, LLP

(57) **CLAIM**

The ornamental design for a food product, as shown and described.

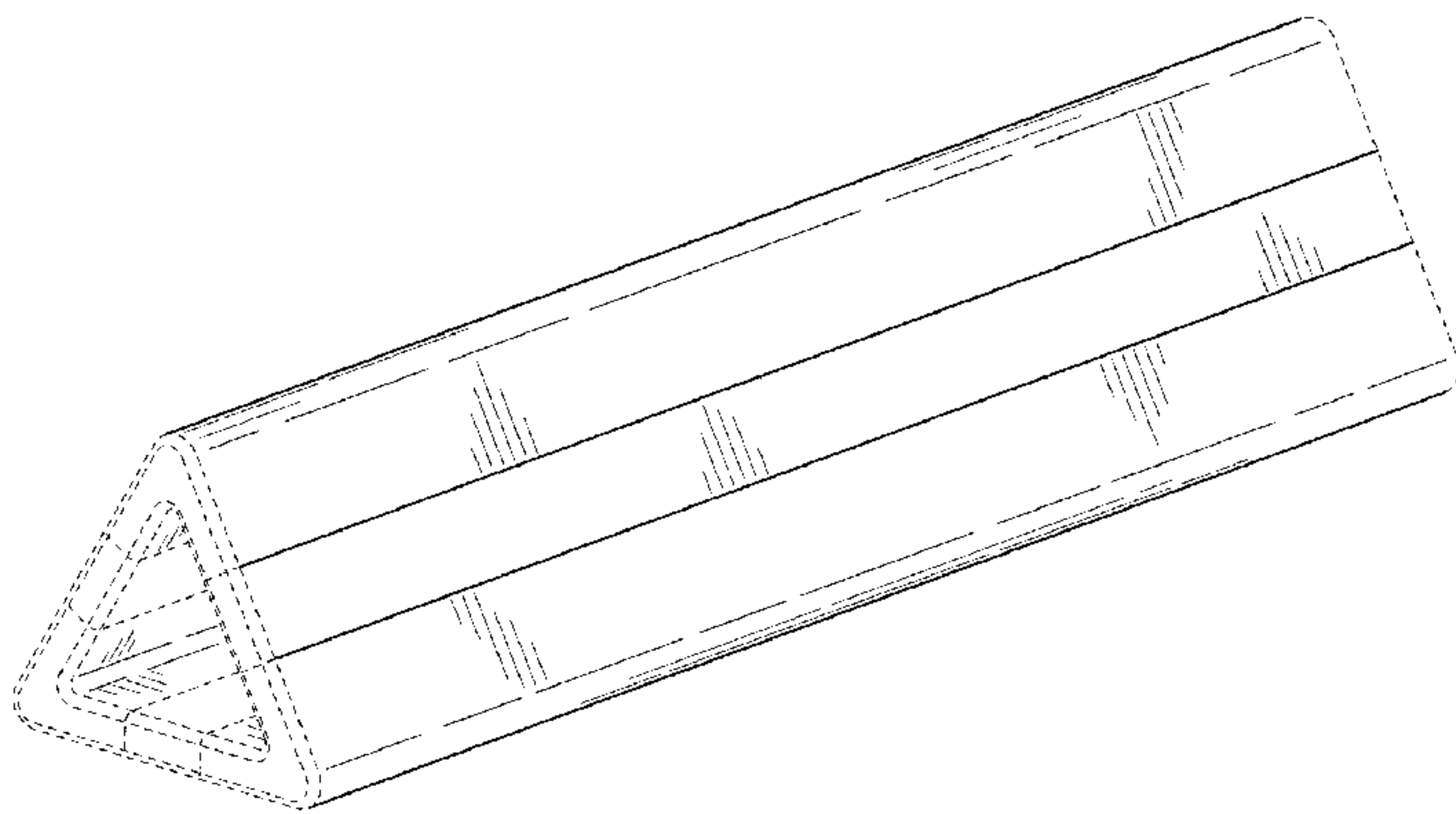
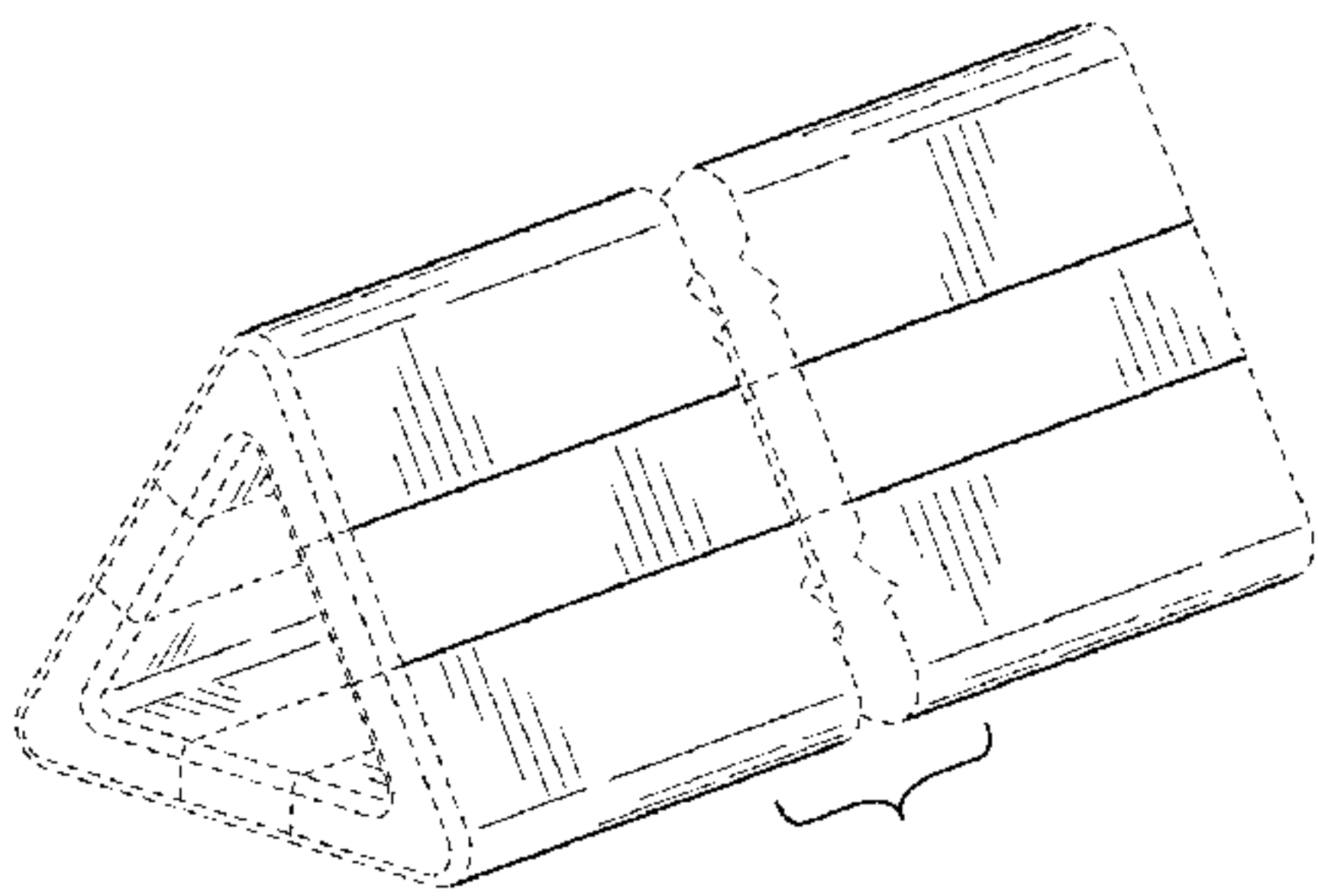
**DESCRIPTION**

FIG. 1 is a front right perspective view of a first embodiment of a food product showing my new design;  
FIG. 2 is a front elevation view of the first embodiment of the food product shown in FIG. 1;  
FIG. 3 is a rear elevation view of the first embodiment of the food product shown in FIG. 1;  
FIG. 4 is a right side elevation view of the first embodiment of the food product shown in FIG. 1;  
FIG. 5 is a left side elevation view of the first embodiment of the food product shown in FIG. 1;  
FIG. 6 is a top plan view of the first embodiment of the food product shown in FIG. 1;  
FIG. 7 is a bottom plan view of the first embodiment of the food product shown in FIG. 1;  
FIG. 8 is a front right perspective view of a second embodiment of a food product showing my new design;  
FIG. 9 is a front elevation view of the second embodiment of the food product shown in FIG. 8;  
FIG. 10 is a rear elevation view of the second embodiment of the food product shown in FIG. 8;  
FIG. 11 is a right side elevation view of the second embodiment of the food product shown in FIG. 8;  
FIG. 12 is a left side elevation view of the second embodiment of the food product shown in FIG. 8;  
FIG. 13 is a top plan view of the second embodiment of the food product shown in FIG. 8; and,  
FIG. 14 is a bottom plan view of the second embodiment of the food product shown in FIG. 8.

The broken lines are included to show features that form no part of the claimed design.

The break lines shown in the middle portion of the food product in FIGS. 1 and 4-7 indicate that the appearance of any portion of the article between the break lines form no part of the claimed design.

**1 Claim, 4 Drawing Sheets**



(56)

**References Cited**

U.S. PATENT DOCUMENTS

D551,561 S *	9/2007	Bieger .....	D9/561
D603,241 S *	11/2009	Pearce .....	D8/107
D652,715 S *	1/2012	Quinter .....	D9/414
D656,648 S *	3/2012	Tompkin .....	D26/46
D677,047 S *	3/2013	Watson .....	D3/203.5
D687,583 S *	8/2013	von Waldthausen .....	D26/46
D726,685 S *	4/2015	Cheng .....	D14/212
D746,541 S *	1/2016	Sambashivan .....	D1/120
D771,054 S *	11/2016	King .....	D14/447
D780,183 S *	2/2017	Ferguson .....	D14/435.1

\* cited by examiner

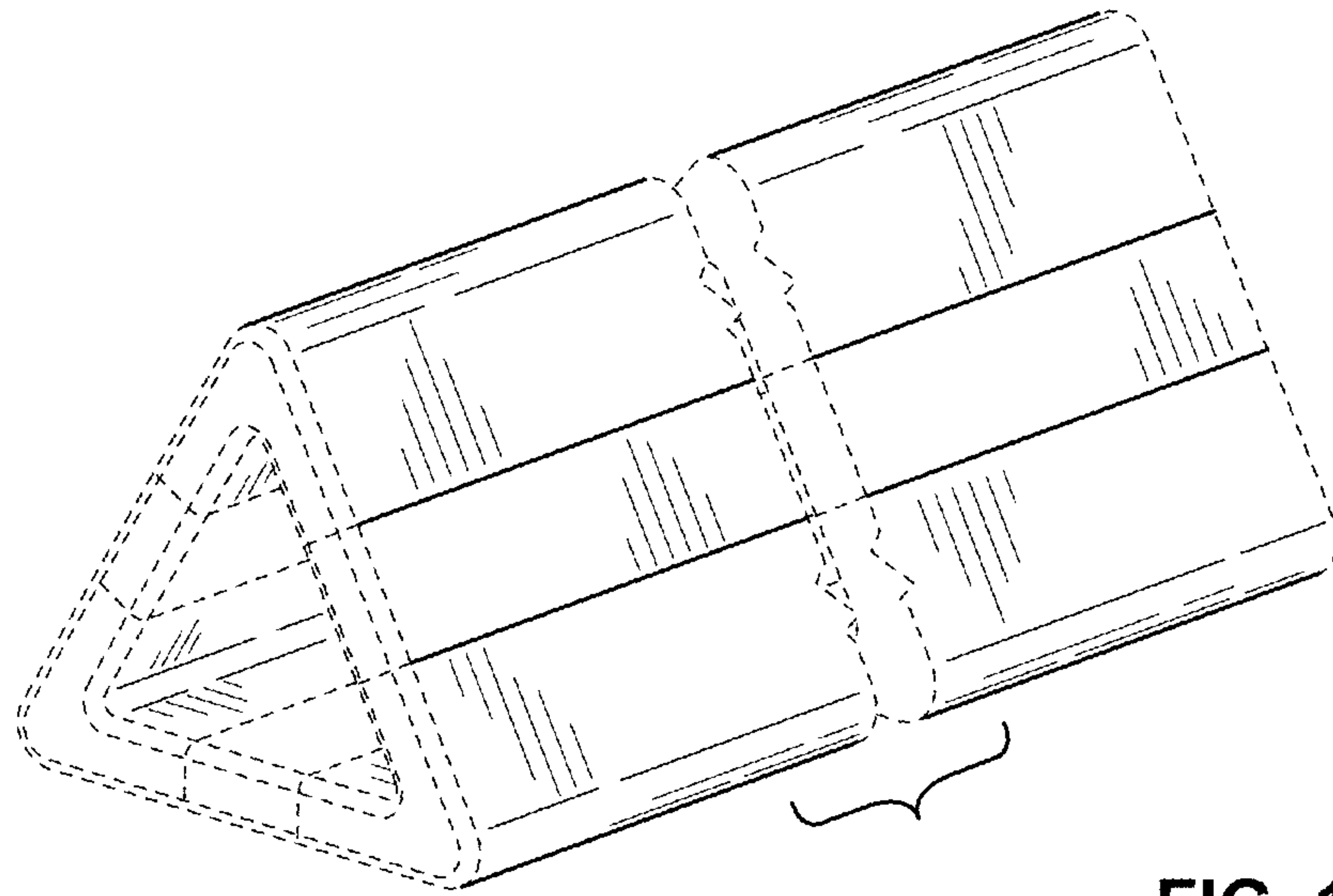


FIG. 1

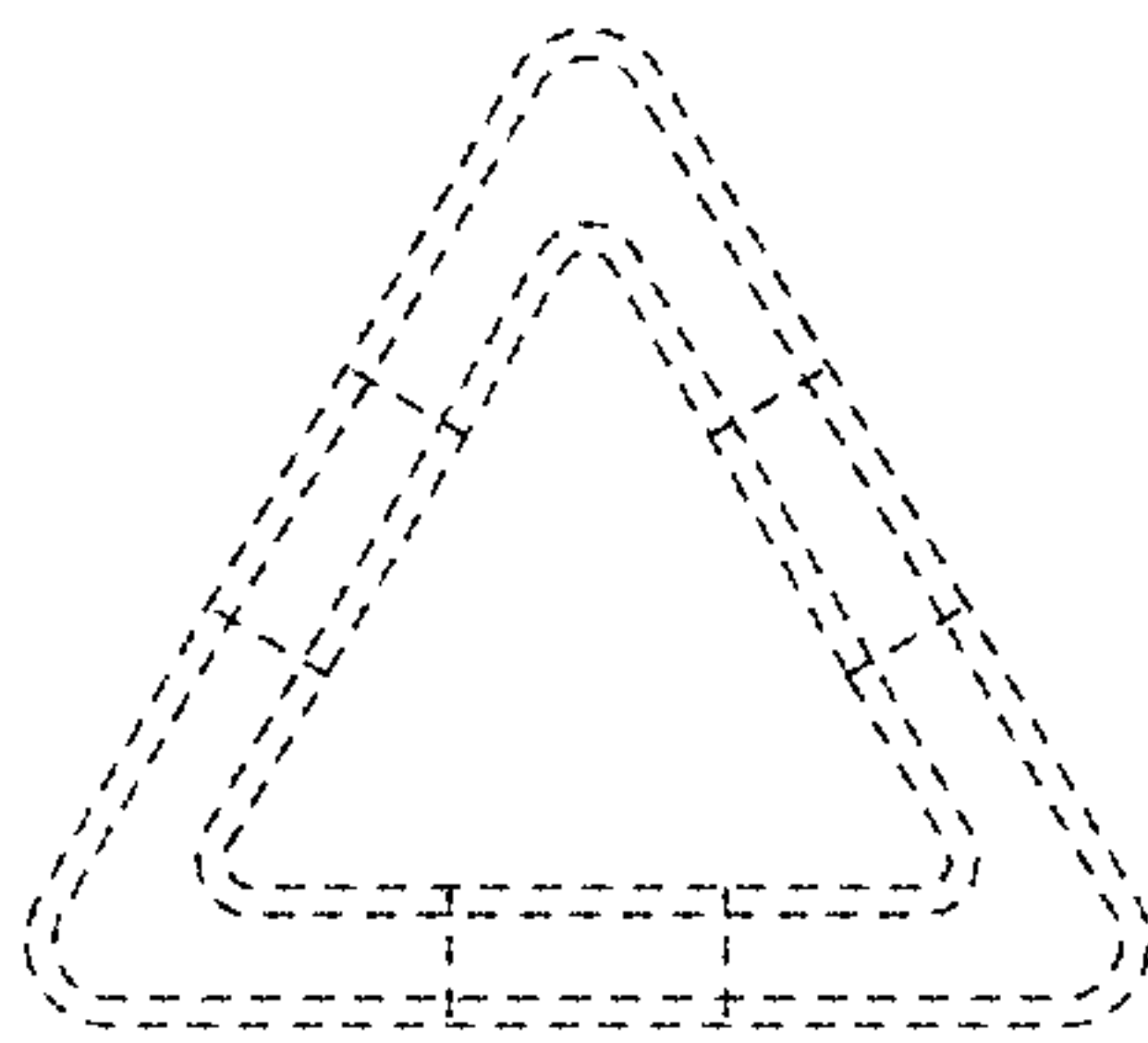


FIG. 2

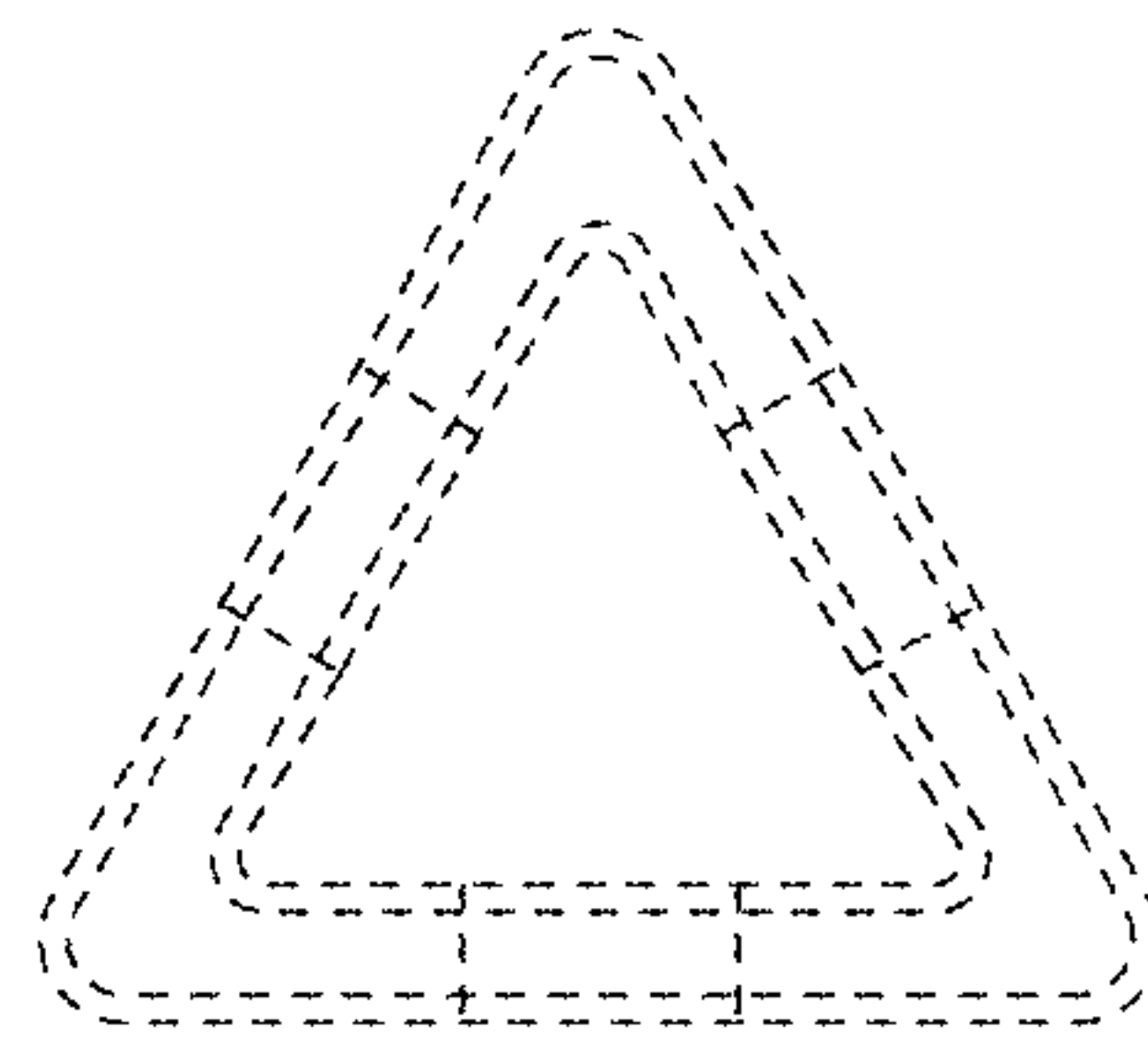


FIG. 3

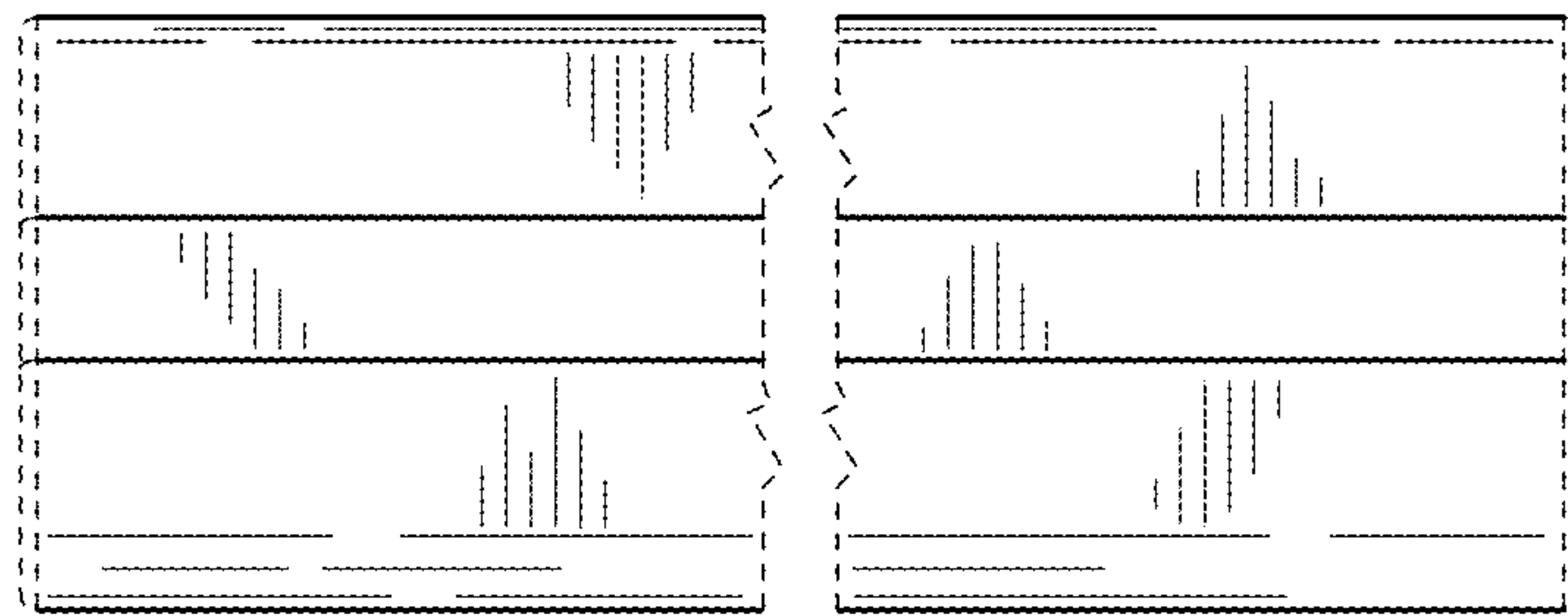


FIG. 4

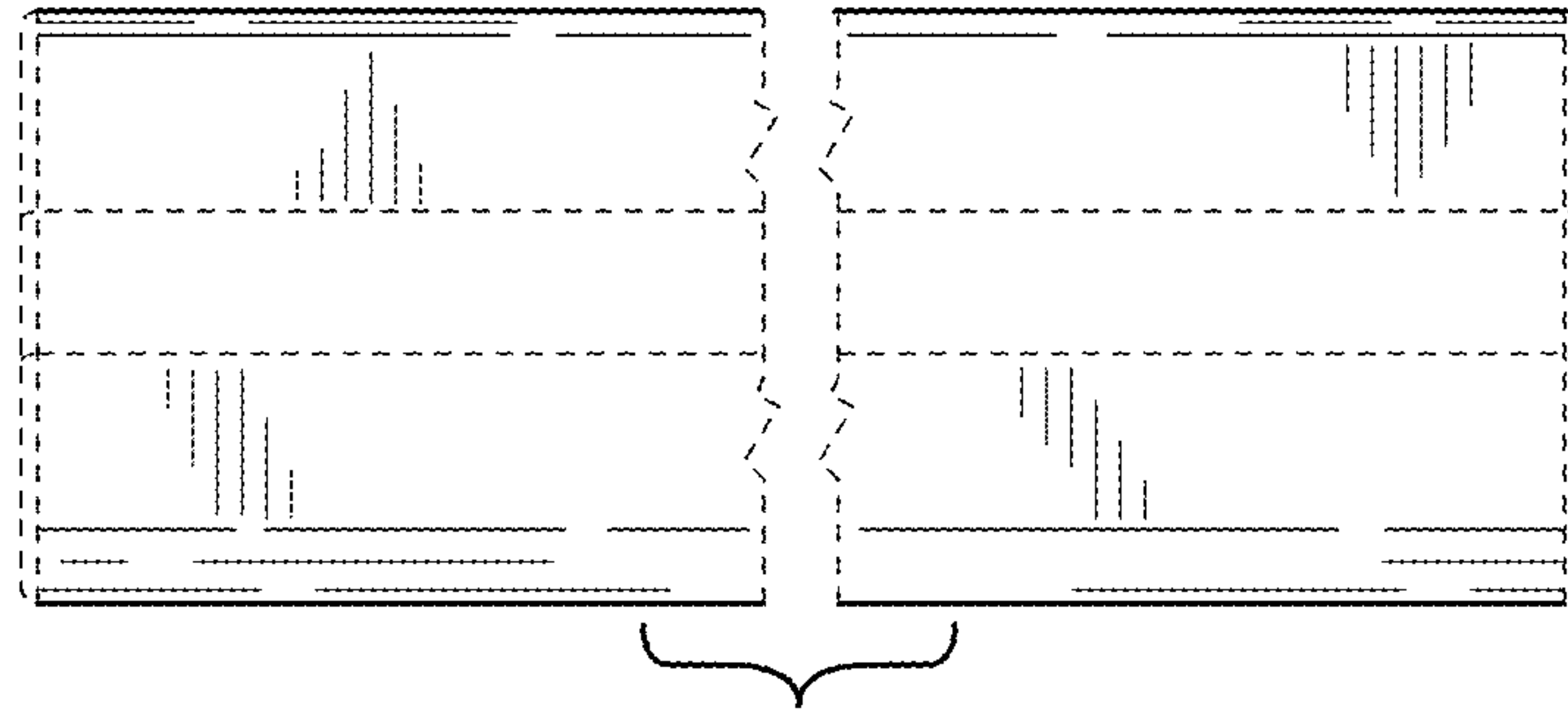


FIG. 5

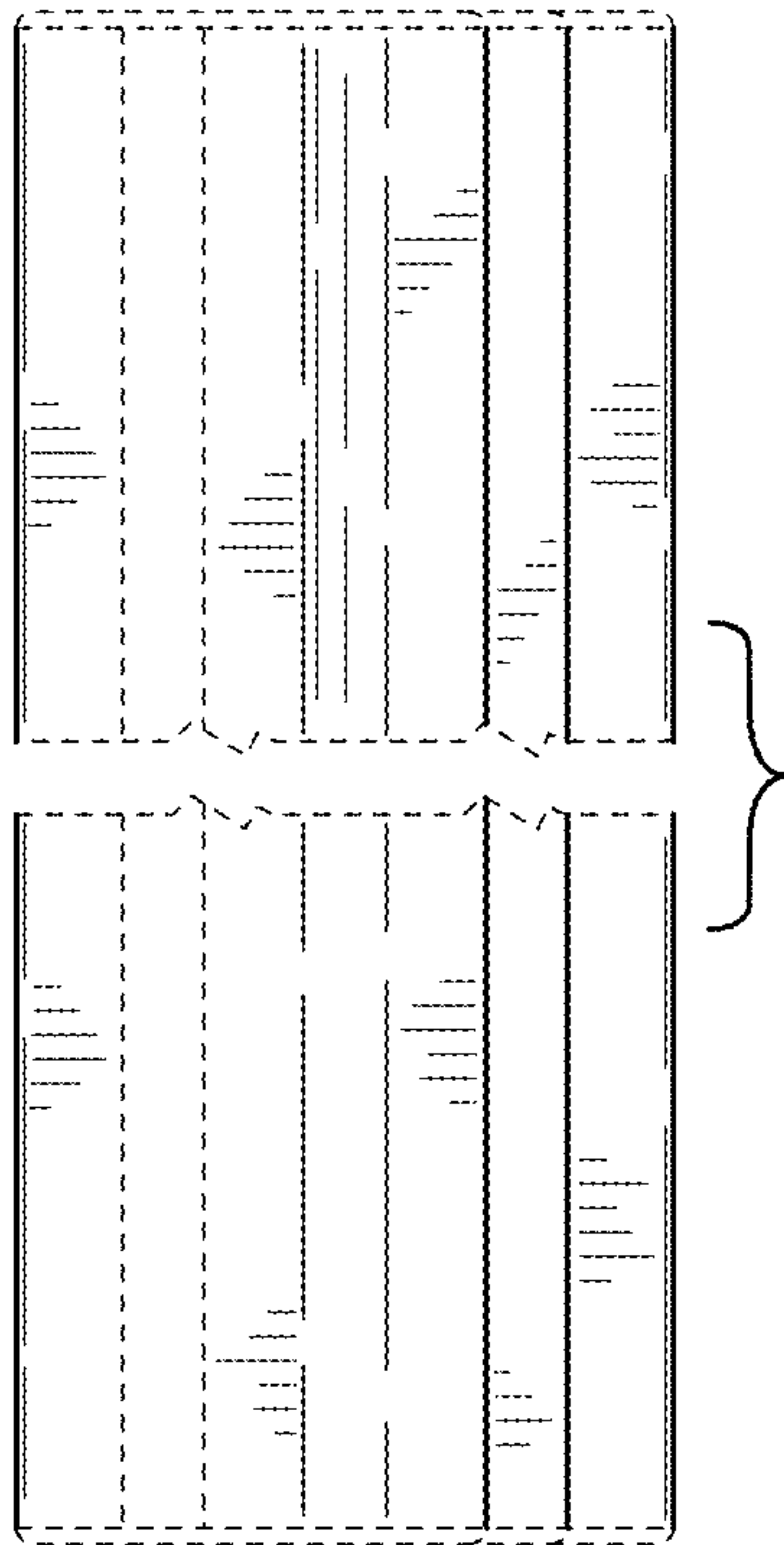


FIG. 6

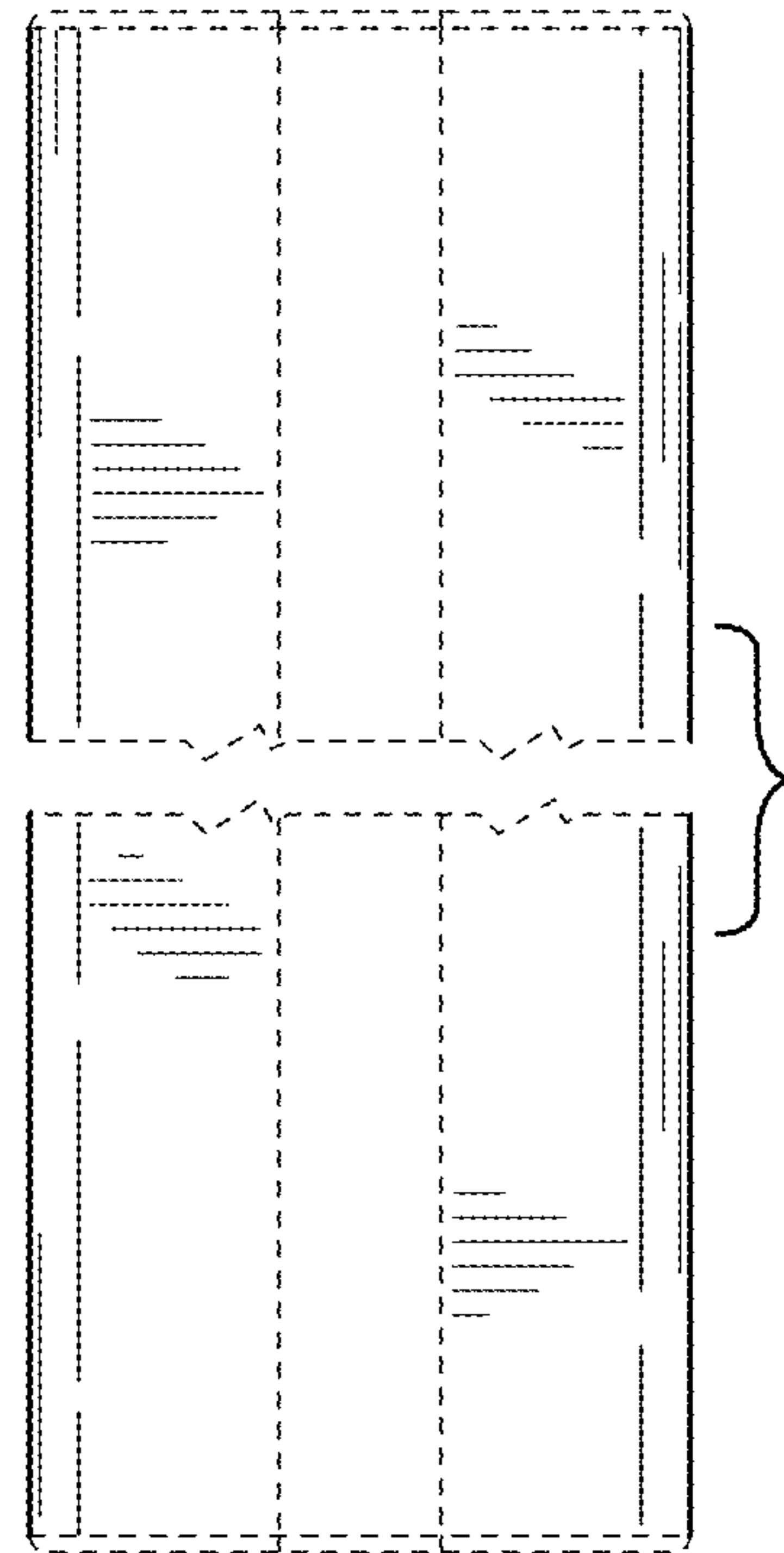


FIG. 7

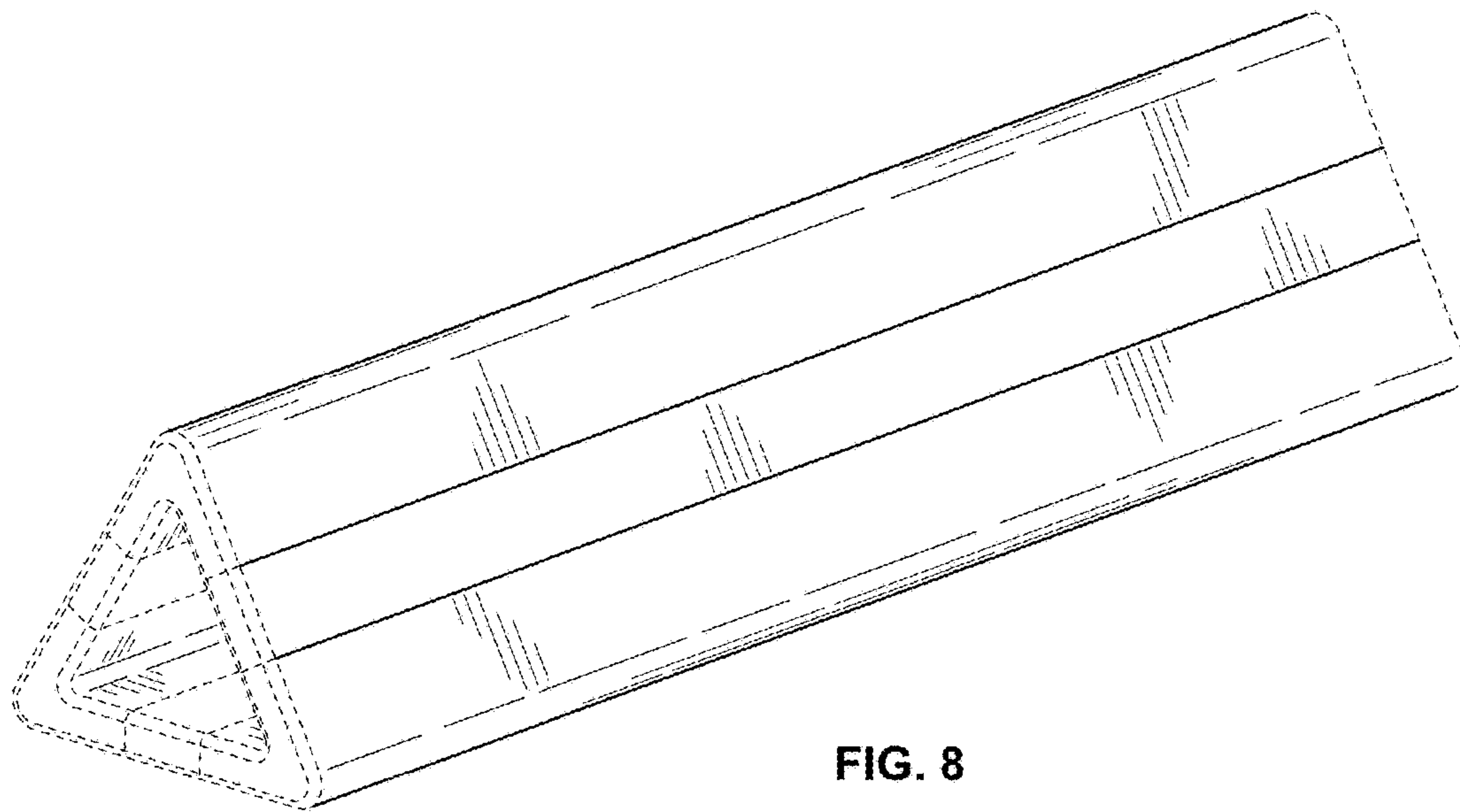


FIG. 8

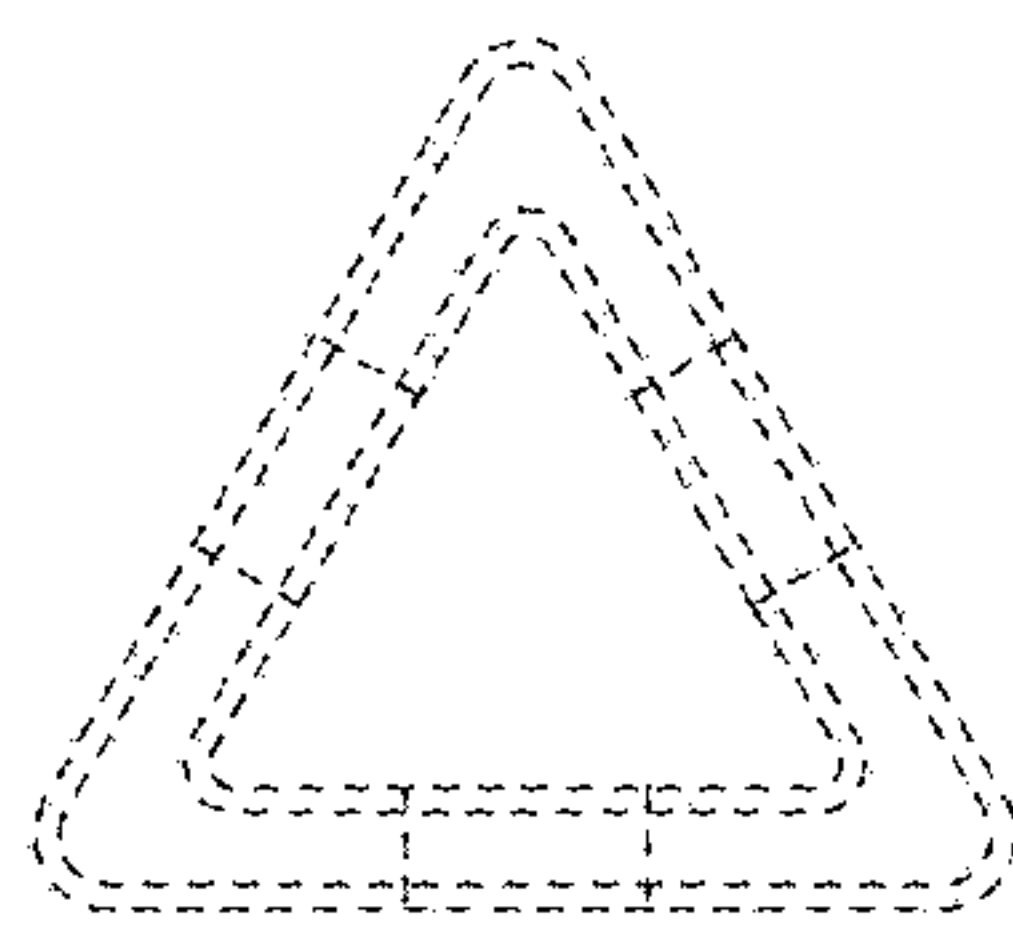


FIG. 9

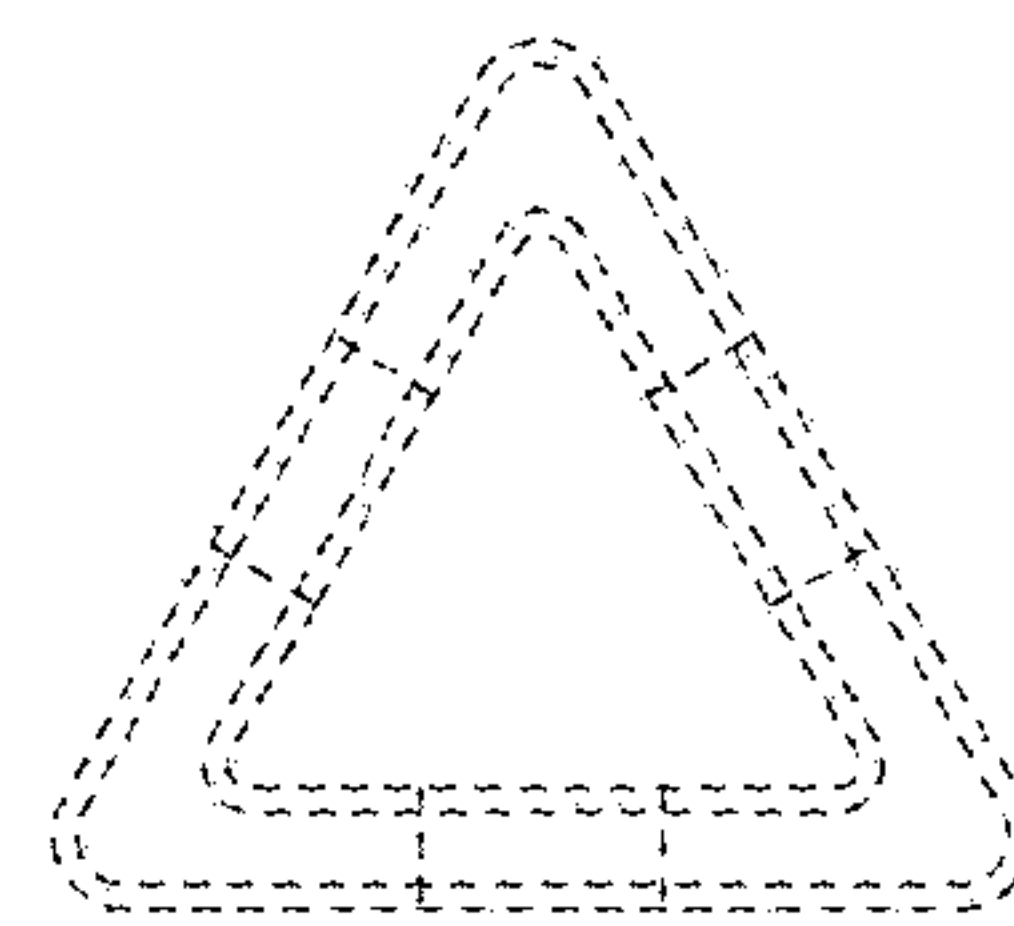


FIG. 10

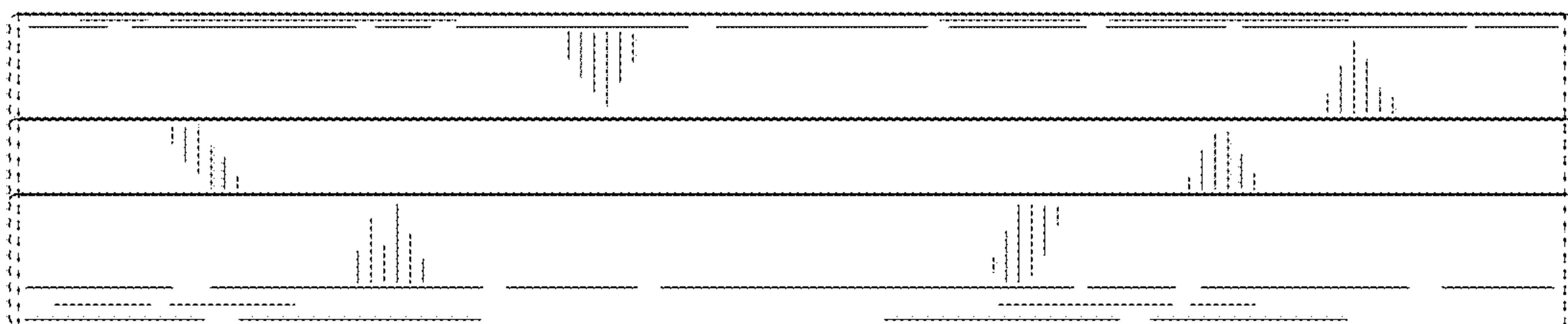


FIG. 11



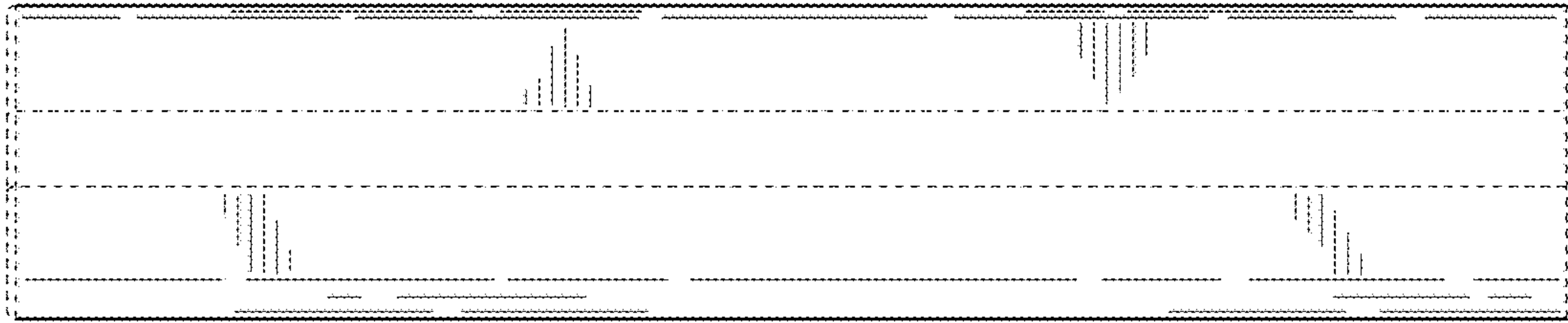


FIG. 12

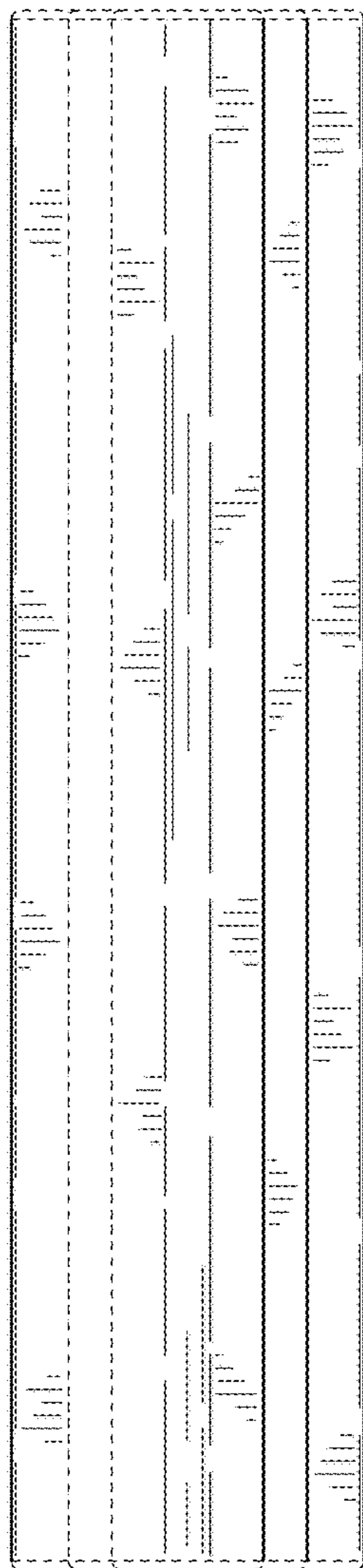


FIG. 13

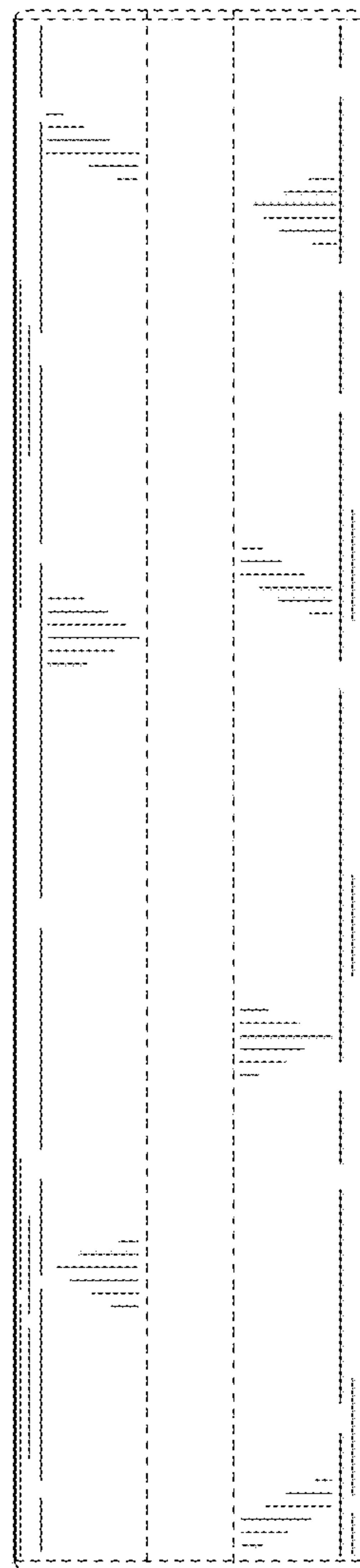


FIG. 14