



US00D821686S

(12) **United States Design Patent**  
**Stevens**

(10) **Patent No.:** **US D821,686 S**  
(45) **Date of Patent:** **\*\* Jul. 3, 2018**

(54) **FOOD PRODUCT**

(71) Applicant: **Mars, Incorporated**, McLean, VA (US)

(72) Inventor: **Kelly Stevens**, Batley (GB)

(73) Assignee: **Mars, Incorporated**, McLean, VA (US)

(\*\*) Term: **15 Years**

(21) Appl. No.: **29/588,209**

(22) Filed: **Dec. 19, 2016**

(51) **LOC (11) Cl.** ..... **01-01**

(52) **U.S. Cl.**  
USPC ..... **D1/122**

(58) **Field of Classification Search**  
USPC ..... D1/100–130, 199; 426/104, 108, 138,  
426/391, 549, 808, 94, 143, 559, 560;  
D11/40, 43, 79; D24/101–104; 446/118,  
446/128; D21/484, 499, 503, 756;  
D14/212, 218; D23/393, 422; D30/160;  
D25/119, 122; D8/354, 382; D26/138;  
D15/138; 52/254, 843  
CPC ..... A21D 13/0029; A21D 13/0074; A21D  
13/0022; A21D 13/0006; A23L 1/1641;  
A23L 1/005

See application file for complete search history.

(56) **References Cited**

**U.S. PATENT DOCUMENTS**

- 462,117 A \* 10/1891 Emerson ..... A22B 3/086  
248/314
- 1,891,546 A \* 12/1932 Krembs ..... B23K 35/0227  
148/24
- 2,819,585 A \* 1/1958 Binder ..... A44C 5/08  
59/79.3

(Continued)

*Primary Examiner* — Katie Jane Stofko

(74) *Attorney, Agent, or Firm* — Greenberg Traurig, LLP

(57) **CLAIM**

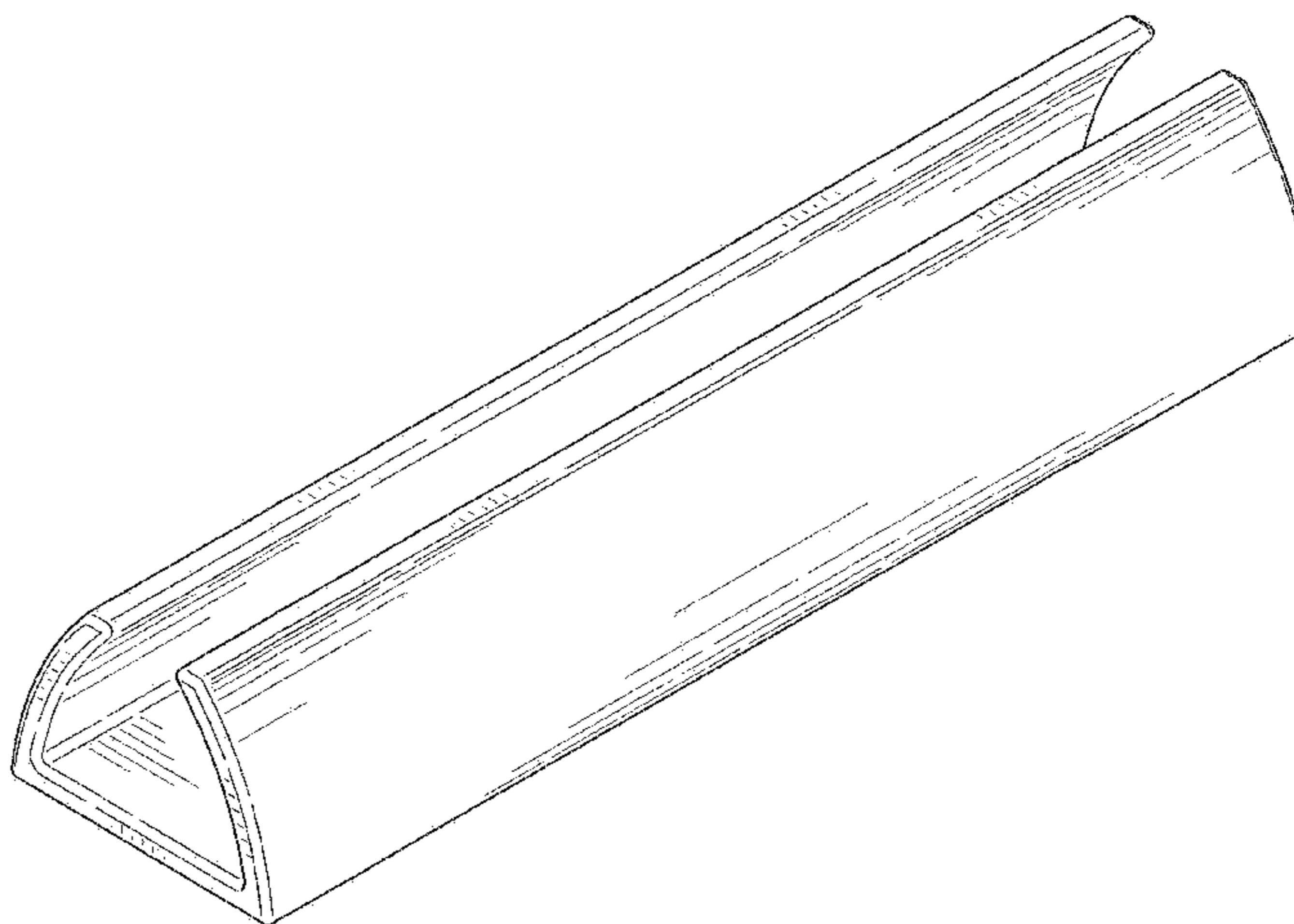
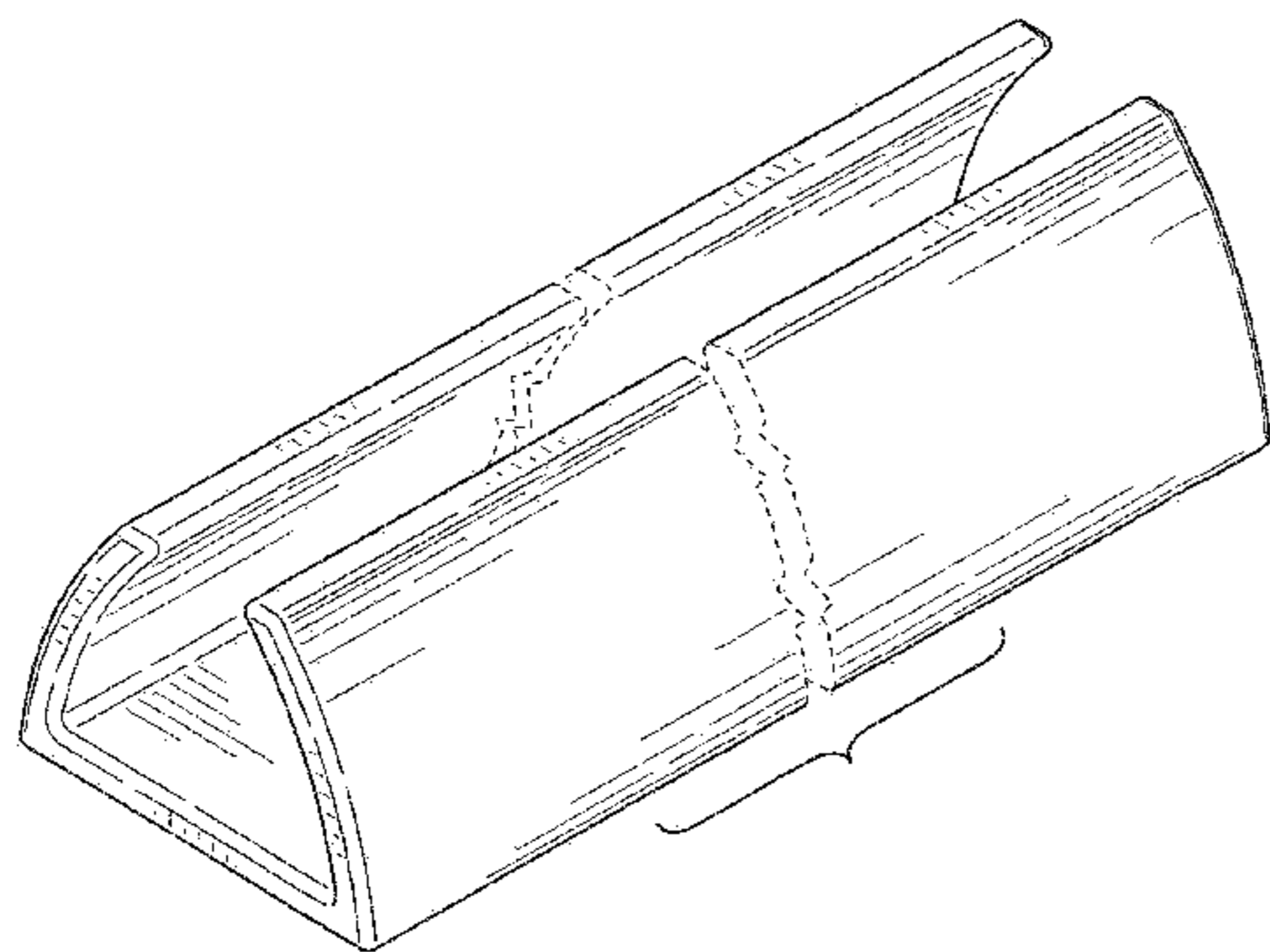
The ornamental design for a food product, as shown and described.

**DESCRIPTION**

FIG. 1 is a front right perspective view of a first embodiment of a food product showing my new design;  
 FIG. 2 is a front elevation view of the first embodiment of the food product shown in FIG. 1;  
 FIG. 3 is a rear elevation view of the first embodiment of the food product shown in FIG. 1;  
 FIG. 4 is a left side elevation view of the first embodiment of the food product shown in FIG. 1;  
 FIG. 5 is a right side elevation view of the first embodiment of the food product shown in FIG. 1;  
 FIG. 6 is a top plan view of the first embodiment of the food product shown in FIG. 1;  
 FIG. 7 is a bottom plan view of the first embodiment of the food product shown in FIG. 1;  
 FIG. 8 is a front right perspective view of a second embodiment of a food product showing my new design;  
 FIG. 9 is a front elevation view of the second embodiment of the food product shown in FIG. 8;  
 FIG. 10 is a rear elevation view of the second embodiment of the food product shown in FIG. 8;  
 FIG. 11 is a left side elevation view of the second embodiment of the food product shown in FIG. 8;  
 FIG. 12 is a right side elevation view of the second embodiment of the food product shown in FIG. 8;  
 FIG. 13 is a top plan view of the second embodiment of the food product shown in FIG. 8; and,  
 FIG. 14 is a bottom plan view of the second embodiment of the food product shown in FIG. 8.

The break lines shown in the middle portion of the food product in FIGS. 1 and 4-7 indicate that the appearance of any portion of the article between the break lines forms no part of the claimed design.

**1 Claim, 6 Drawing Sheets**



(56)

References Cited

U.S. PATENT DOCUMENTS

3,648,920 A \* 3/1972 Stump ..... B65D 5/5033  
 138/177  
 3,688,967 A \* 9/1972 Arikawa ..... B23K 9/035  
 148/23  
 D270,051 S \* 8/1983 Smith ..... D13/182  
 4,491,137 A \* 1/1985 Jingu ..... A61B 8/0833  
 600/461  
 5,121,578 A \* 6/1992 Holz ..... E04B 9/26  
 52/506.01  
 D333,322 S \* 2/1993 Lindblom ..... D20/44  
 D343,312 S \* 1/1994 Burdick ..... D25/122  
 D343,747 S \* 2/1994 Burdick ..... D25/122  
 D358,982 S \* 6/1995 Bosgoed ..... D25/122  
 D387,109 S \* 12/1997 Winans ..... D21/680  
 D393,319 S \* 4/1998 Reuter ..... D25/119  
 D417,290 S \* 11/1999 Goleby ..... D25/122  
 D479,146 S \* 9/2003 Manley ..... B42F 1/006  
 D11/78.1  
 D494,533 S \* 8/2004 Almhill ..... D12/412  
 D618,992 S \* 7/2010 Rix ..... D8/354  
 D655,150 S \* 3/2012 Alderman ..... D8/367  
 D672,063 S \* 12/2012 Geven ..... D25/122  
 D712,729 S \* 9/2014 Cushing ..... D8/395  
 8,978,902 B2 \* 3/2015 Barkdoll ..... A47F 5/0846  
 211/94.01  
 D762,455 S \* 8/2016 Partridge ..... D8/349  
 2008/0061018 A1 \* 3/2008 Keller ..... A47F 5/0846  
 211/94.01

\* cited by examiner

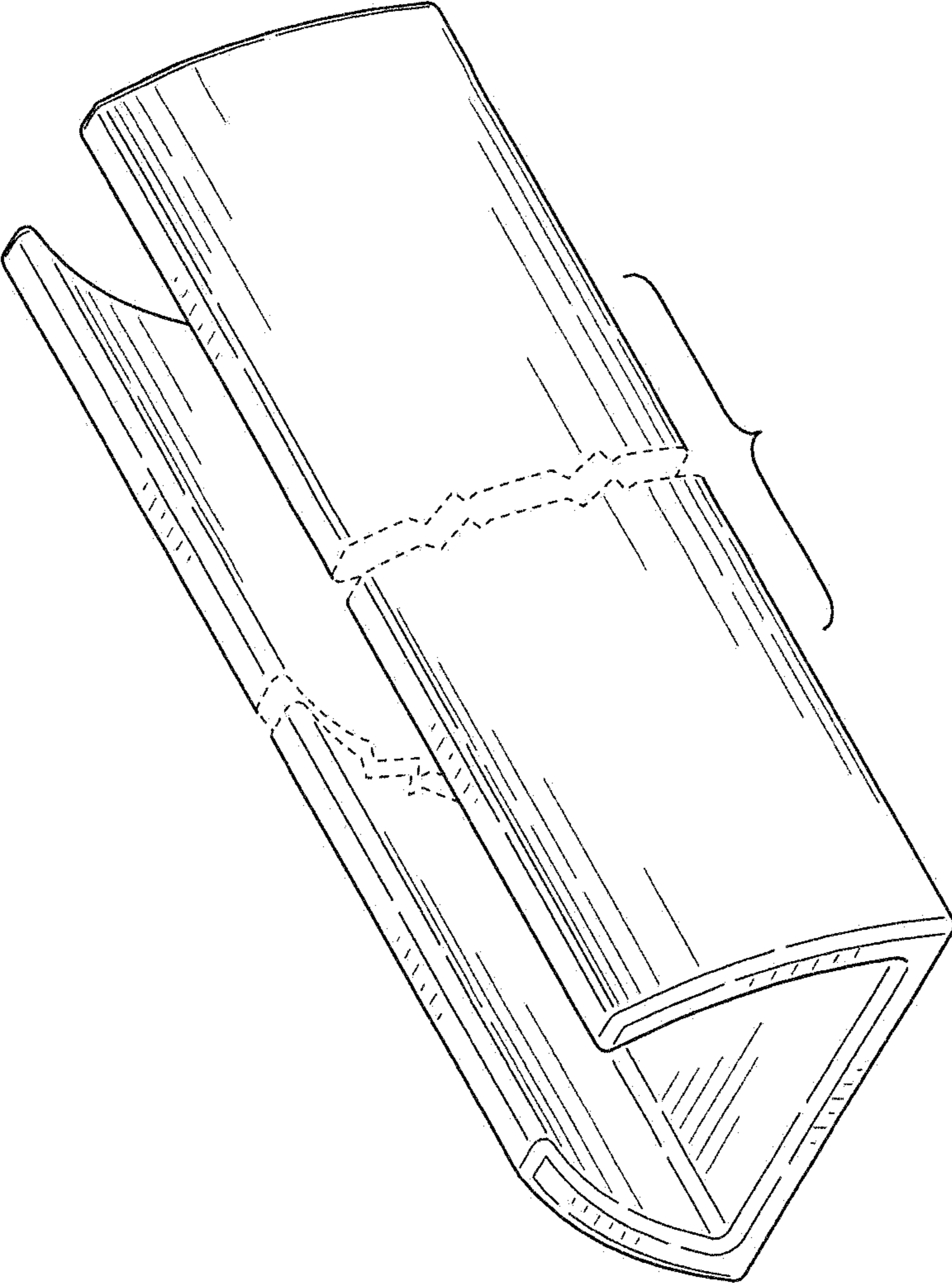


FIG. 1

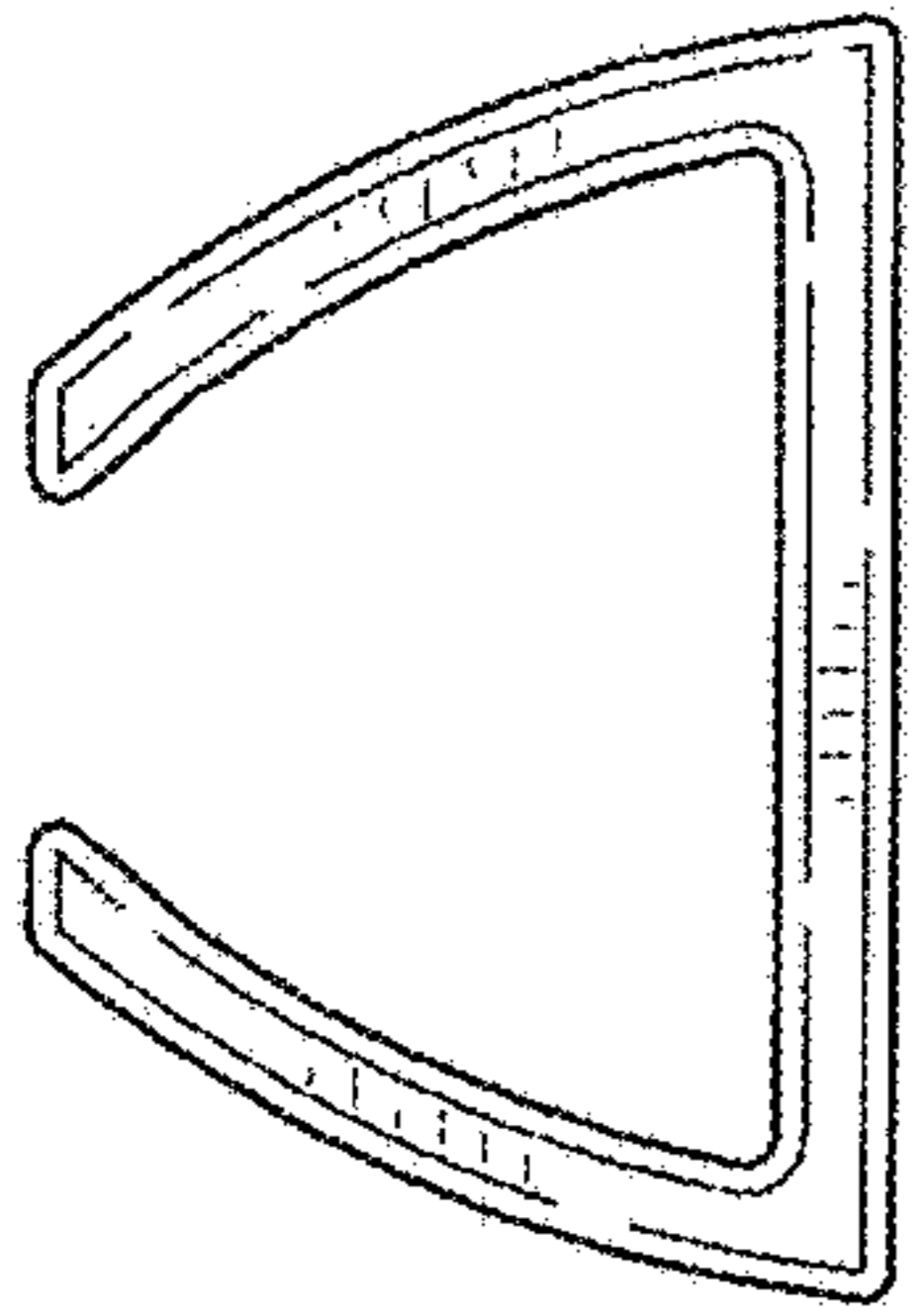


FIG. 2

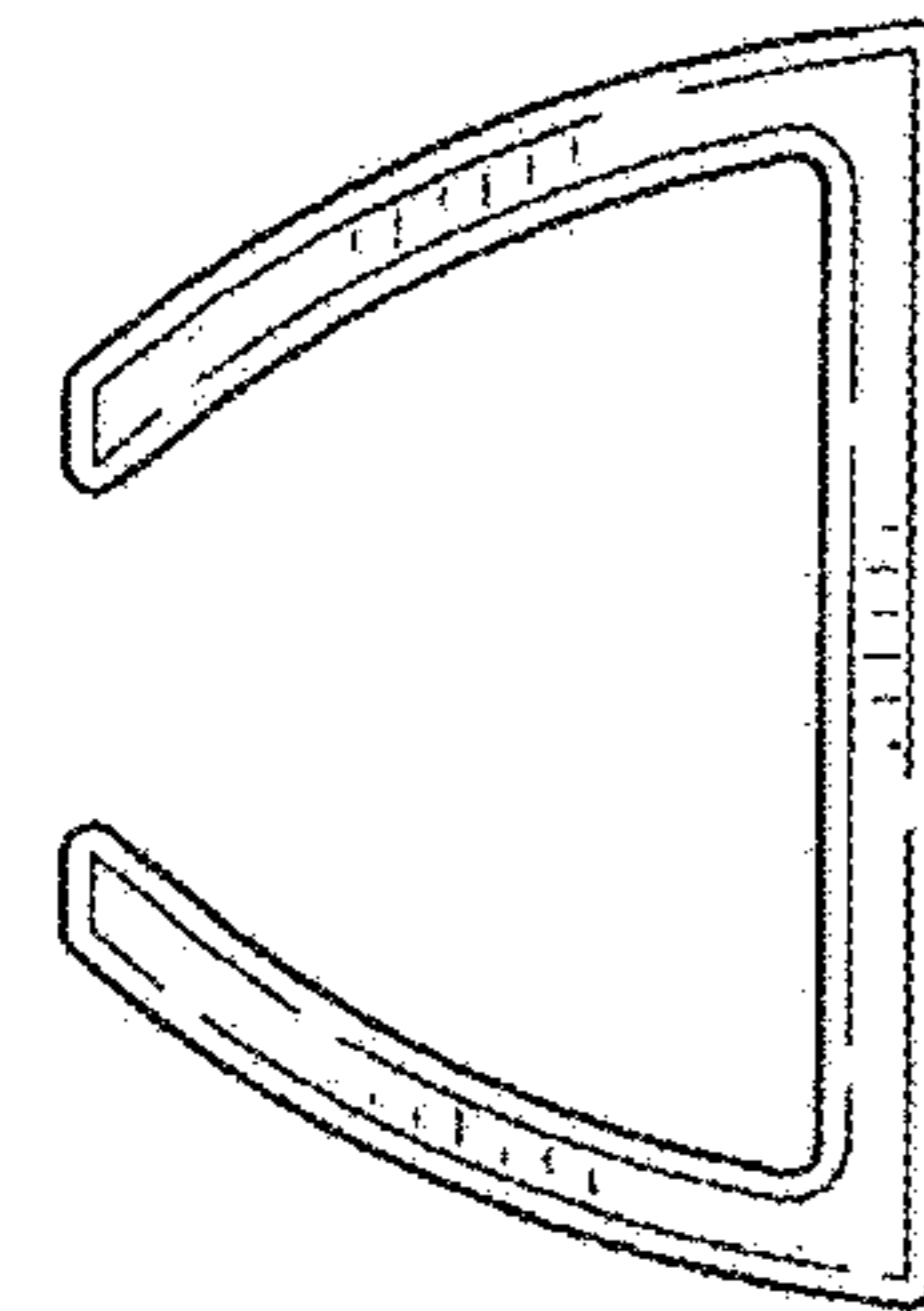


FIG. 3

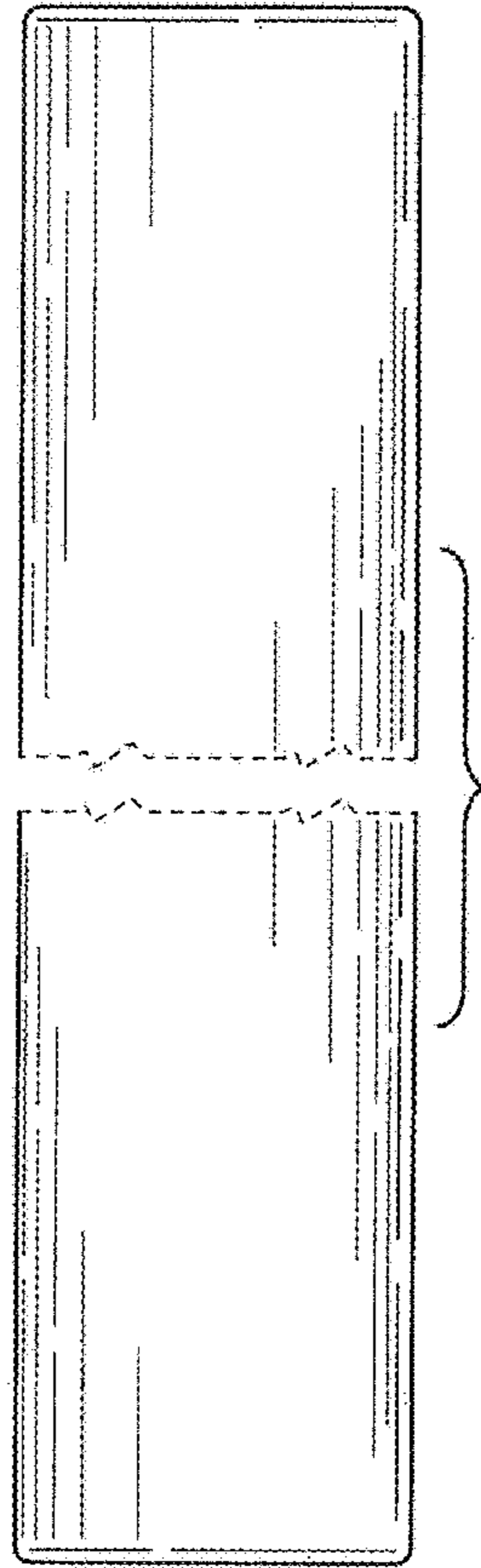


FIG. 4

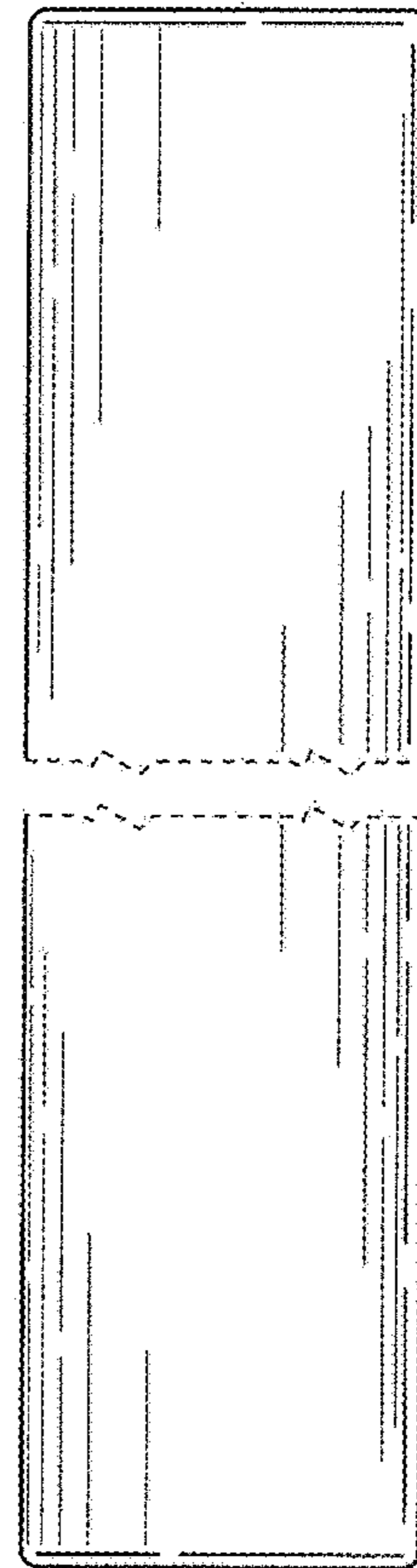


FIG. 5



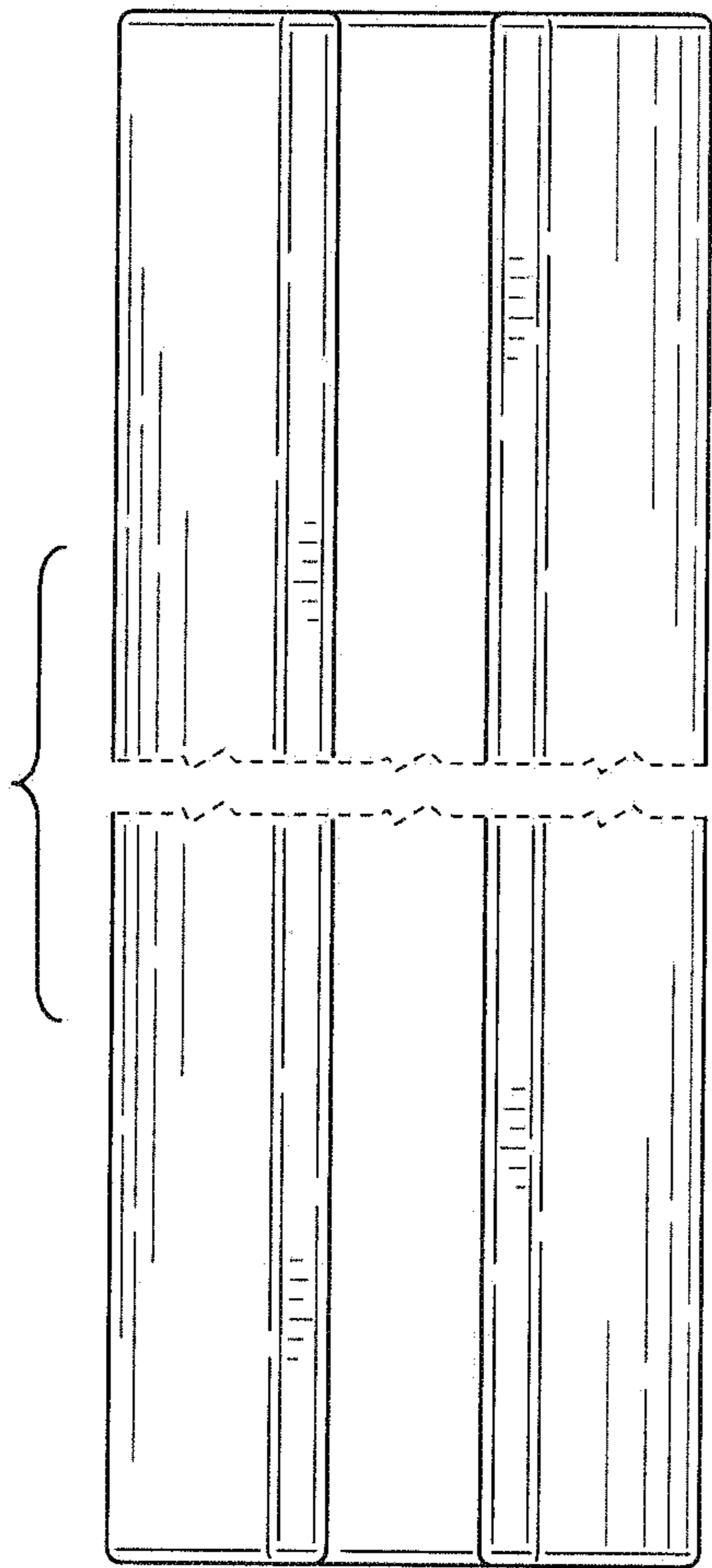


FIG. 6

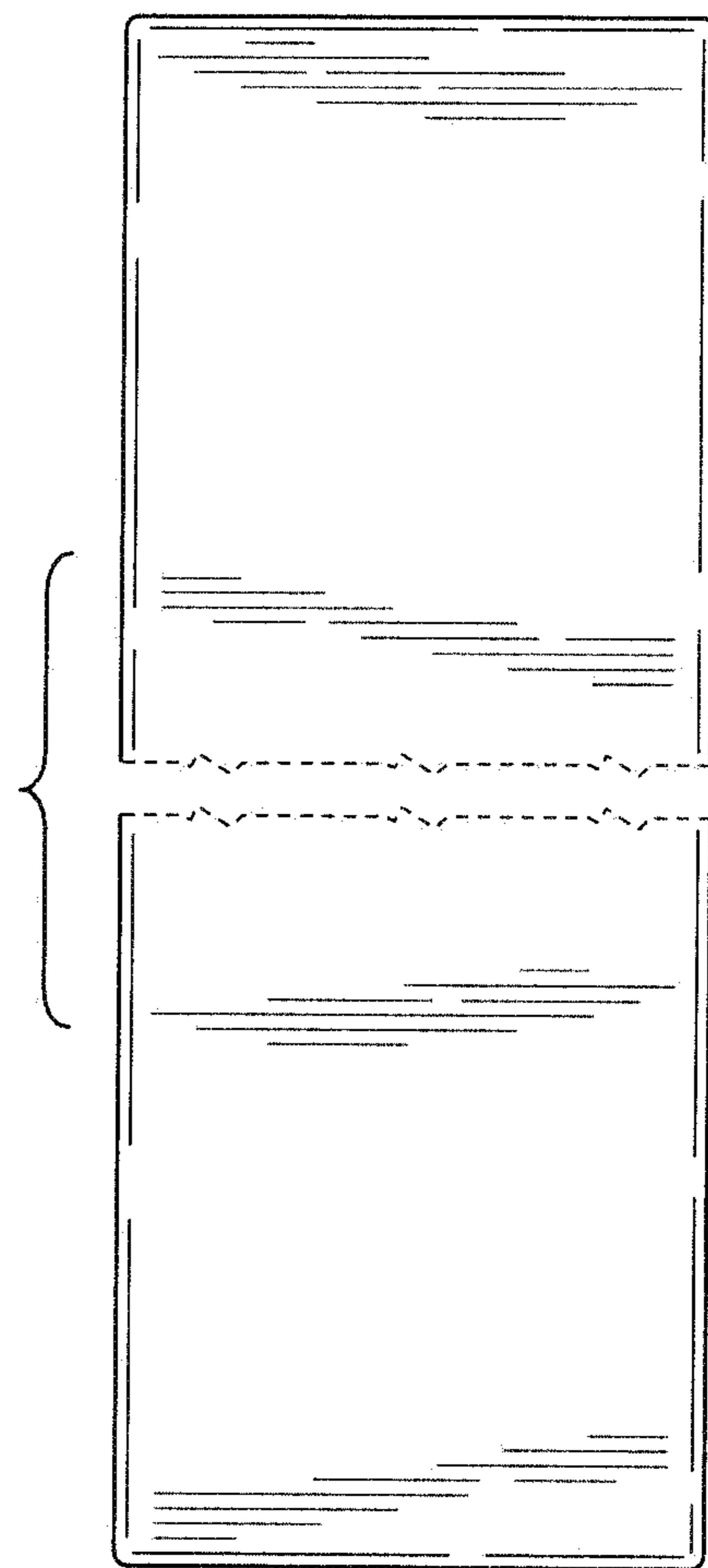


FIG. 7

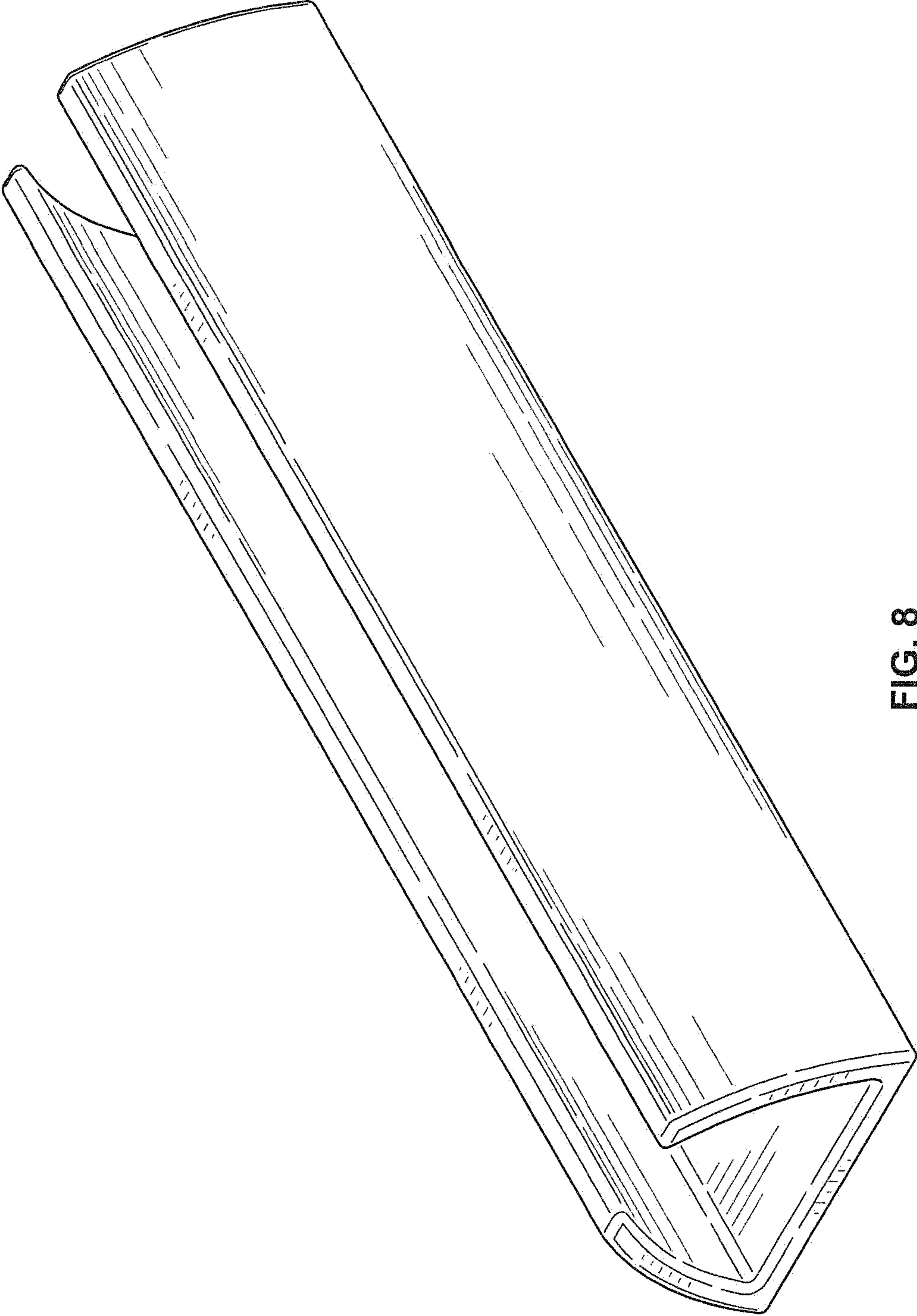


FIG. 8

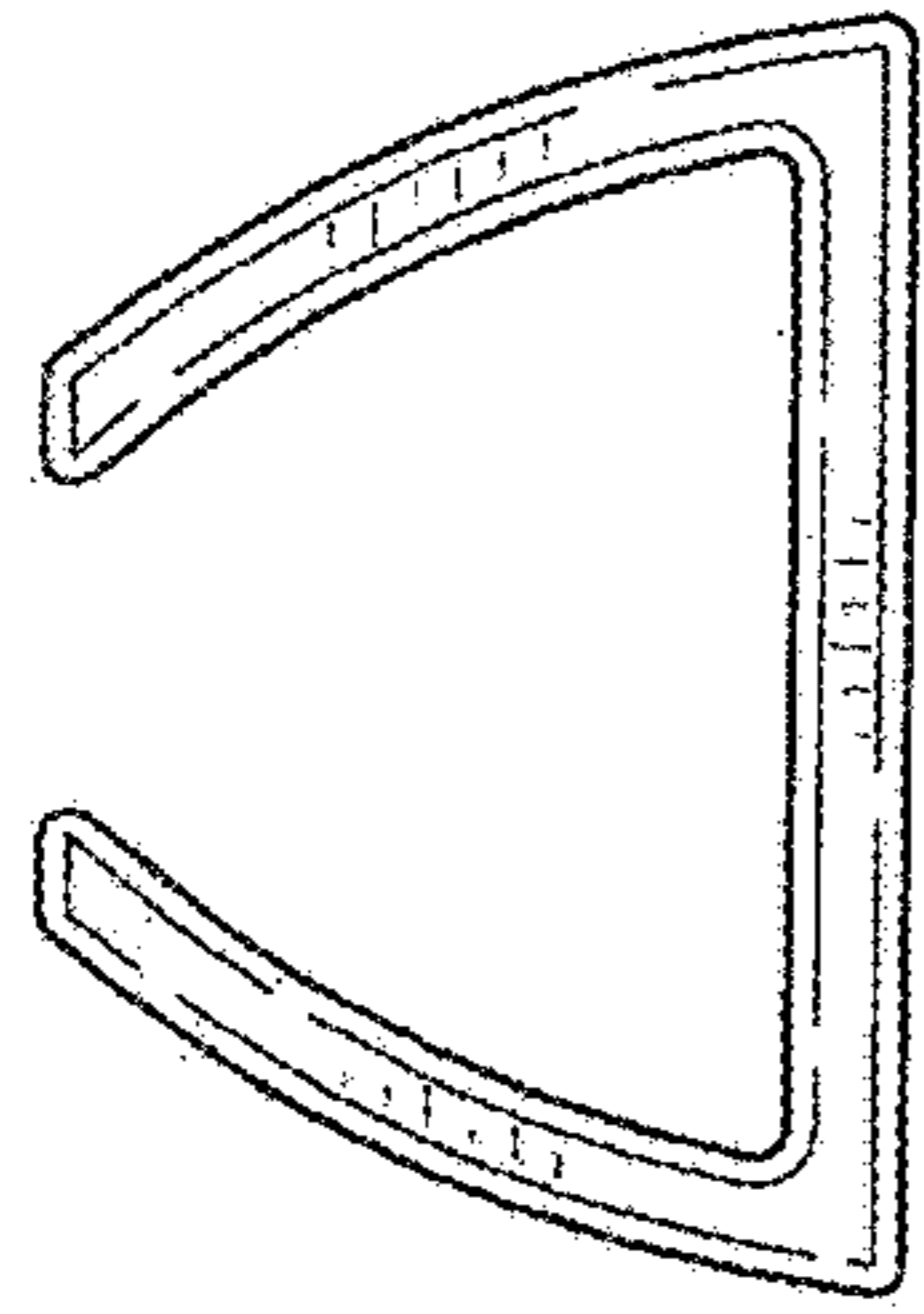


FIG. 9

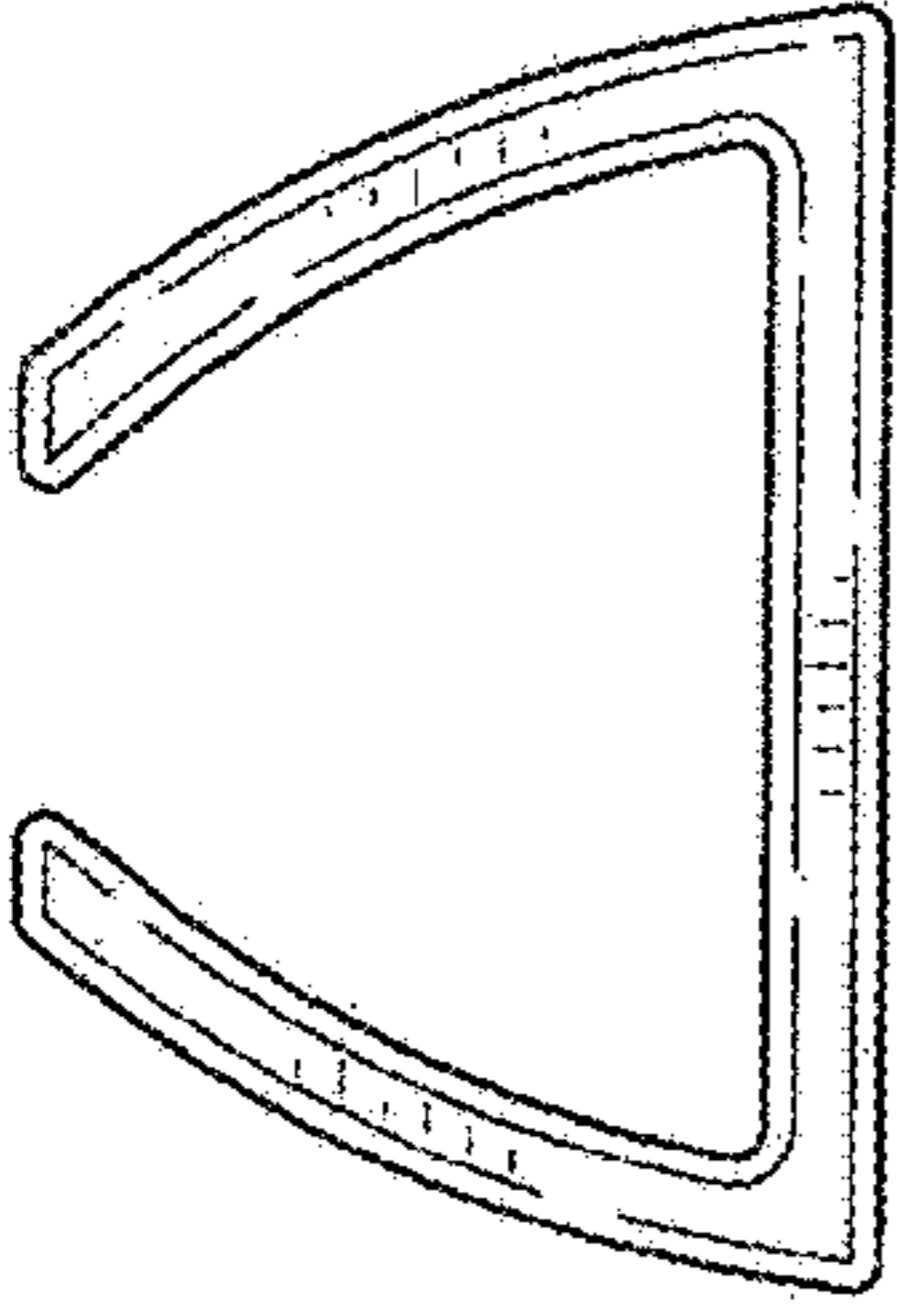


FIG. 10

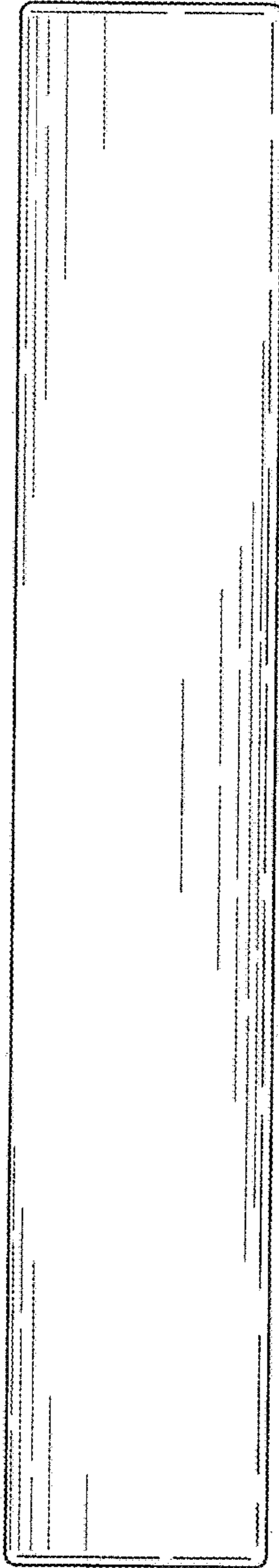


FIG. 11

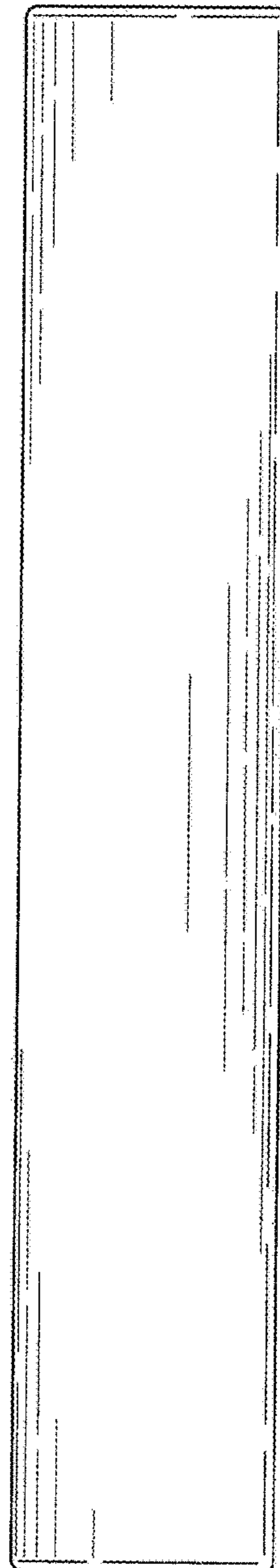


FIG. 12

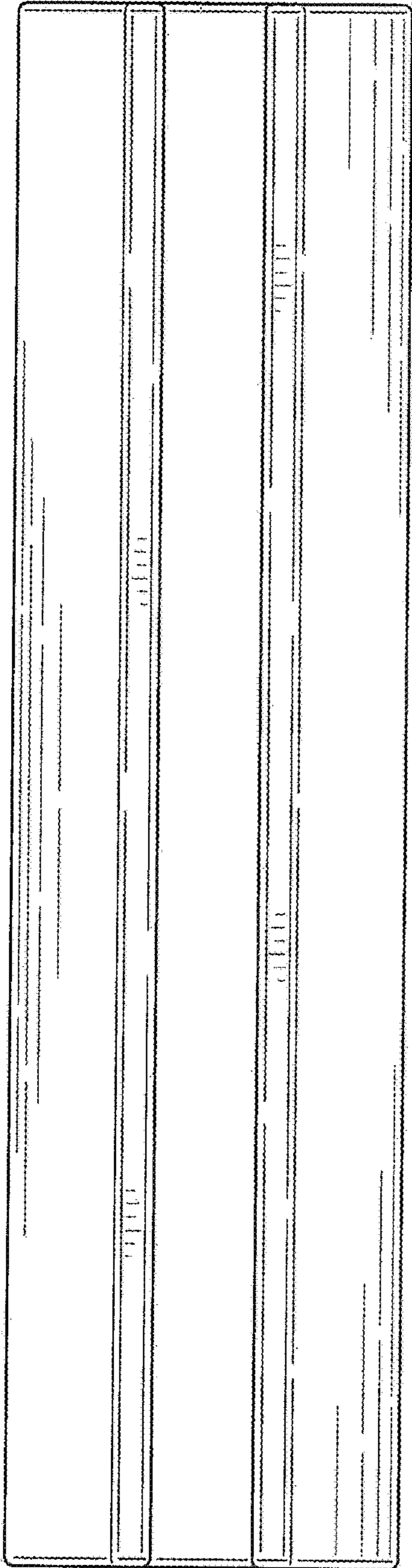


FIG. 13

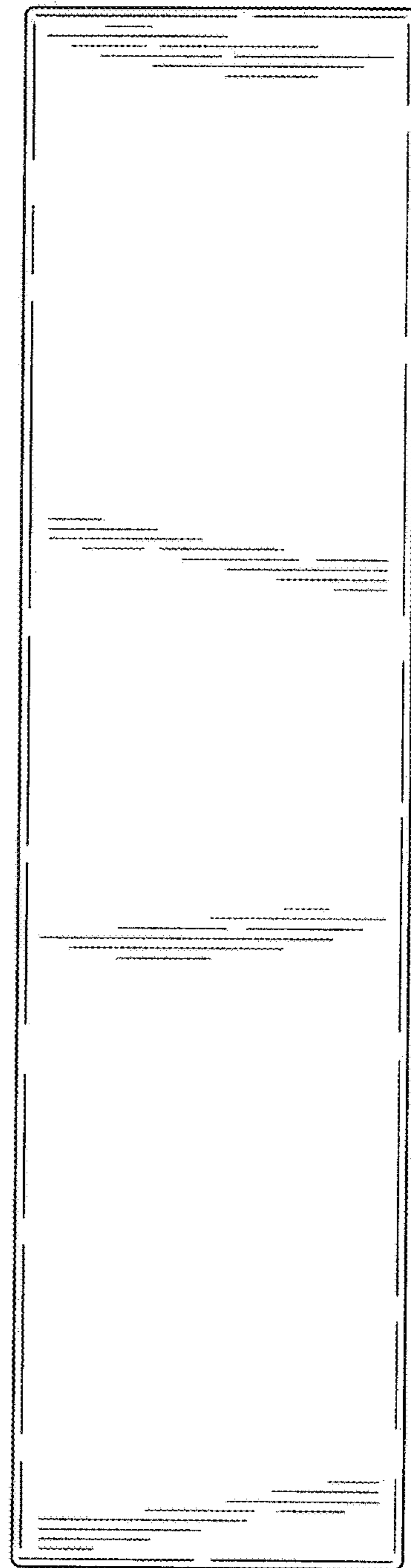


FIG. 14