



US00D821682S

(12) **United States Design Patent**
Cotten et al.

(10) **Patent No.:** **US D821,682 S**
(45) **Date of Patent:** **** Jul. 3, 2018**

(54) **CONFECTION**

(71) Applicant: **INTERCONTINENTAL GREAT BRANDS LLC**, East Hanover, NJ (US)

(72) Inventors: **Gerald Cotten**, East Hanover, NJ (US); **Simon Gainey**, Media, PA (US); **Jess Keene**, Media, PA (US)

(73) Assignee: **INTERCONTINENTAL GREAT BRANDS LLC**, East Hanover, NJ (US)

(**) Term: **15 Years**

(21) Appl. No.: **29/611,352**

(22) Filed: **Jul. 20, 2017**

Related U.S. Application Data

(62) Division of application No. 29/558,246, filed on Mar. 16, 2016, now Pat. No. Des. 795,525.

(51) **LOC (11) Cl.** **01-01**

(52) **U.S. Cl.**
USPC **D1/114; D1/127**

(58) **Field of Classification Search**
USPC D1/100–130, 199; 426/5, 76, 87, 92, 94, 426/95, 99, 101, 103, 108, 138–139, 143,
(Continued)

(56) **References Cited**

U.S. PATENT DOCUMENTS

D290,412 S 6/1987 Downs
D377,085 S 12/1996 Tortarolo
(Continued)

FOREIGN PATENT DOCUMENTS

JP D1529960 S 7/2015

OTHER PUBLICATIONS

Corrected Notice of Allowance; U.S. Appl. No. 29/558,246, filed Mar. 16, 2016; Confection; dated Jun. 15, 2017; 6 Pages.

(Continued)

Primary Examiner — Katie Jane Stofko

(74) *Attorney, Agent, or Firm* — Cantor Colburn LLP

(57) **CLAIM**

We claim, the ornamental design for a confection, as shown and described.

DESCRIPTION

FIG. 1 is a perspective view of a confection, showing a first embodiment of our new design;

FIG. 2 is a front elevation view of the embodiment shown in FIG. 1;

FIG. 3 is a back elevation view of the embodiment shown in FIG. 1;

FIG. 4 is a side elevation view of the embodiment shown in FIG. 1;

FIG. 5 is a another side elevation view of the embodiment shown in FIG. 1;

FIG. 6 is a top plan view of the embodiment shown in FIG. 1;

FIG. 7 is a bottom plan view of the embodiment shown in FIG. 1;

FIG. 8 is a perspective view of a confection, showing a second embodiment of our new design;

FIG. 9 is a front elevation view of the embodiment shown in FIG. 8;

FIG. 10 is a back elevation view of the embodiment shown in FIG. 8;

FIG. 11 is a side elevation view of the embodiment shown in FIG. 8;

FIG. 12 is a another side elevation view of the embodiment shown in FIG. 8;

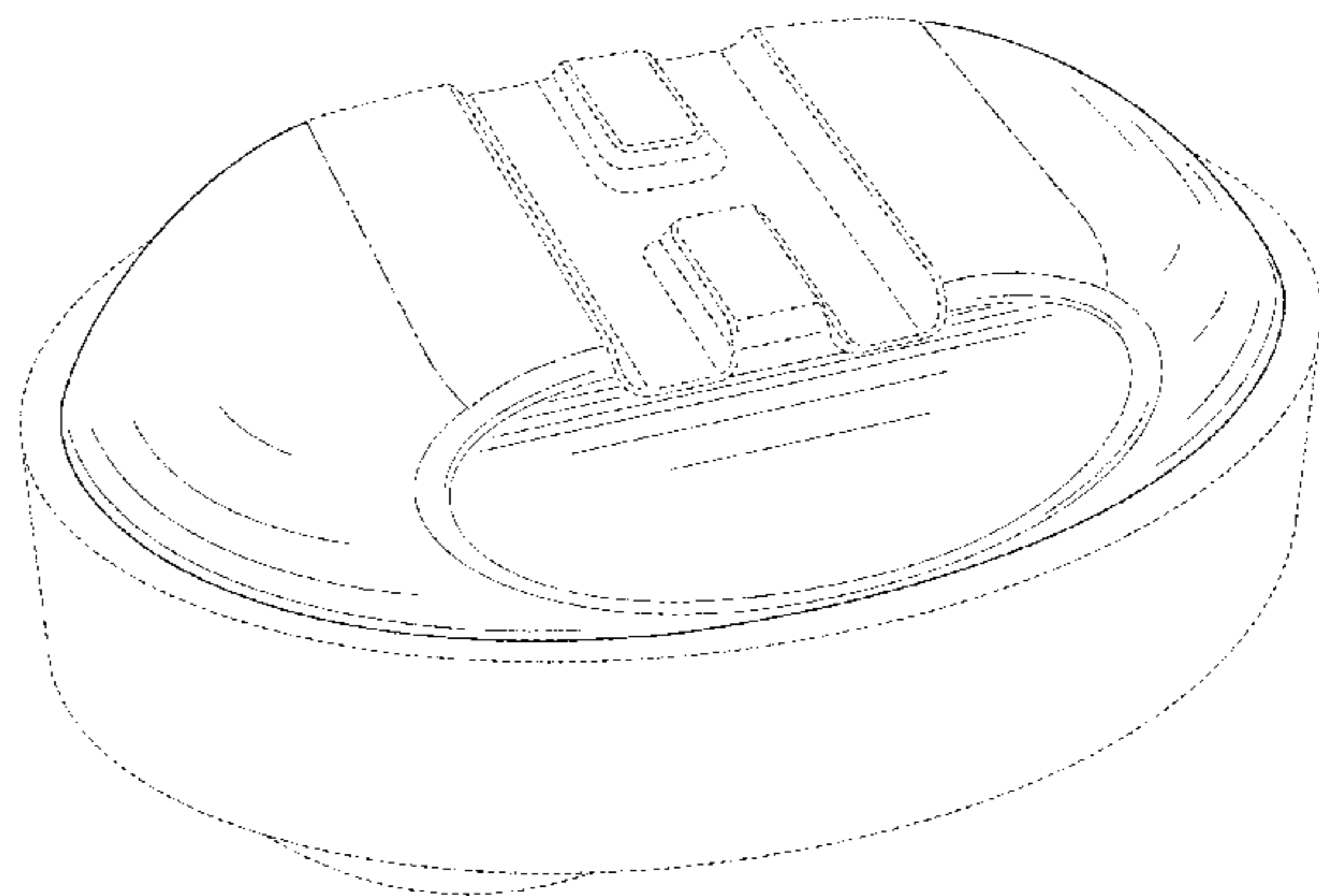
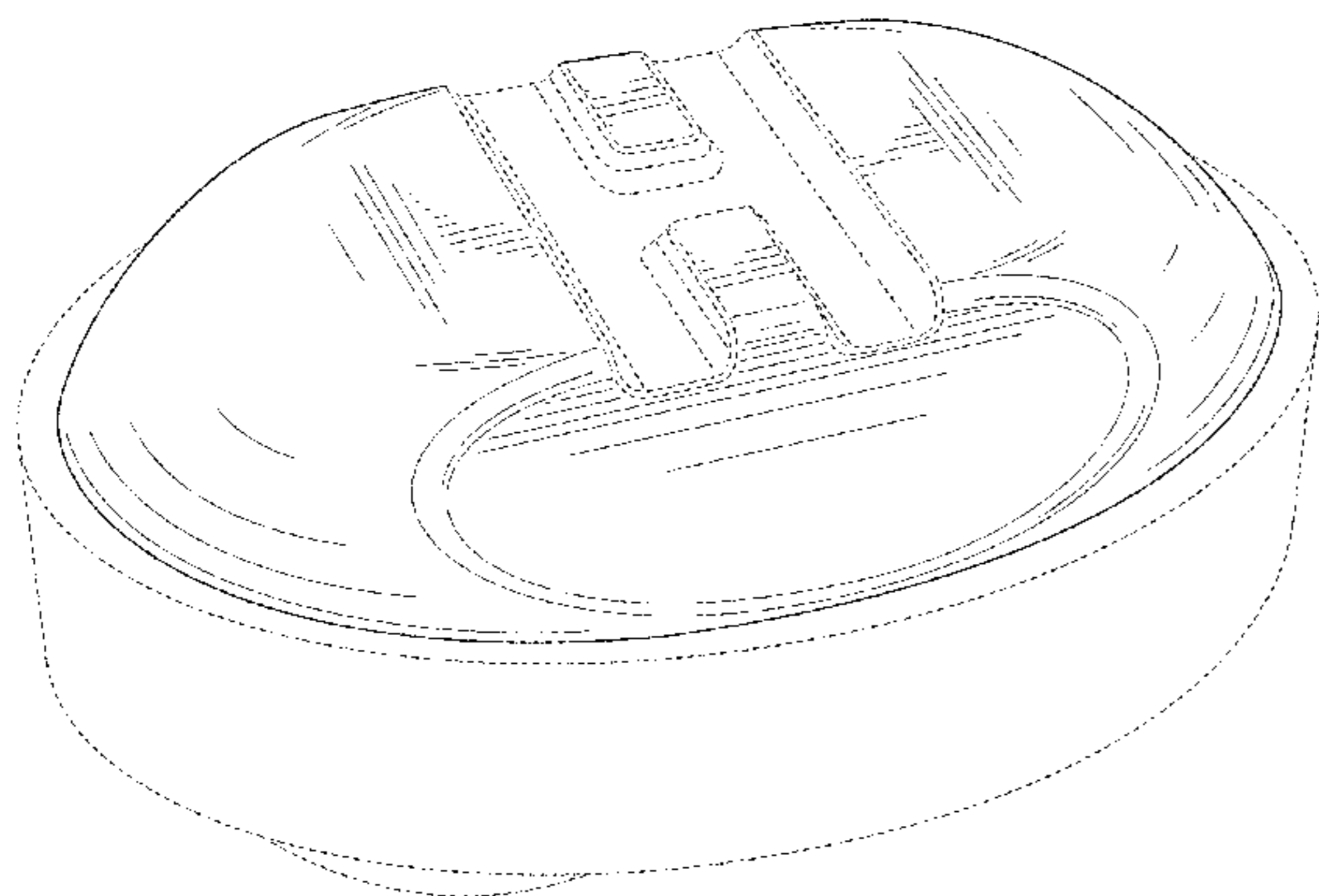
FIG. 13 is a top plan view of the embodiment shown in FIG. 8; and,

FIG. 14 is a bottom plan view of the embodiment shown in FIG. 8.

The evenly-spaced broken lines in FIGS. 1-14 illustrate portions of the confection that form no part of the claimed design. The dash-dot-dash broken lines in FIGS. 8-13 illustrate the boundary of the claimed design that forms no part thereof.

Also, references to “side,” “top,” “bottom,” “front,” and “rear” in the Figure Descriptions are not necessarily meant

(Continued)



to require any specific orientation of the article as viewed. A confectionary according to the claimed design may be used in any orientation.

1 Claim, 8 Drawing Sheets

(58) **Field of Classification Search**

USPC 426/144, 279, 282, 283, 391, 514, 549,
 426/660; D13/100; D24/101-104;
 D28/8.1; 424/467; 425/195; 34/296;
 D6/601
 CPC .. A61K 9/2072; A61K 9/0004; A61K 9/2095;
 A61K 9/209

See application file for complete search history.

(56)

References Cited

U.S. PATENT DOCUMENTS

D377,086 S * 12/1996 Tortarolo D24/101
 D389,453 S * 1/1998 Mitchell D13/100
 D400,685 S * 11/1998 Stanton D1/114
 D434,846 S 12/2000 Chen et al.
 D459,053 S 6/2002 Wolff
 D459,798 S 7/2002 Desesquelle et al.
 D509,942 S 9/2005 Connolly et al.
 D509,943 S * 9/2005 Connolly D1/127

D517,005 S * 3/2006 Melin C10L 5/36
 D13/100
 D539,007 S * 3/2007 Clark D1/127
 D555,584 S * 11/2007 Melin D13/100
 D578,728 S * 10/2008 Berman D1/114
 D588,776 S 3/2009 Kanamoto
 D592,377 S 5/2009 Lee
 D628,147 S * 11/2010 Swatling D13/100
 D638,786 S * 5/2011 Swatling D13/100
 D666,376 S 9/2012 Correa et al.
 D666,377 S 9/2012 Correa et al.
 D735,315 S * 7/2015 Bhat D24/101
 D744,191 S 12/2015 Cotten et al.
 D745,242 S 12/2015 Cotten et al.
 D754,841 S 4/2016 Waldman et al.
 D771,236 S * 11/2016 Becker D1/114
 D785,277 S * 5/2017 Reddick D1/114

OTHER PUBLICATIONS

Notice of Allowance; U.S. Appl. No. 29/558,246, filed Mar. 16, 2016; Confection; dated Apr.25, 2017; 7 Pages.
 Notice of Reasons for Rejection; Japanese Design Registration Application No. 2016-019997; dated Mar. 30, 2017; 4 Pages.
 Notice of Reasons for Rejection; Japanese Design Registration Application No. 2016-024600; dated Mar. 30, 2017; 4 Pages.
 Requirement for Restriction/Election; U.S. Appl. No. 29/558,246, filed Mar. 16, 2016; Confection; dated Dec. 19, 2016; 6 Pages.

* cited by examiner

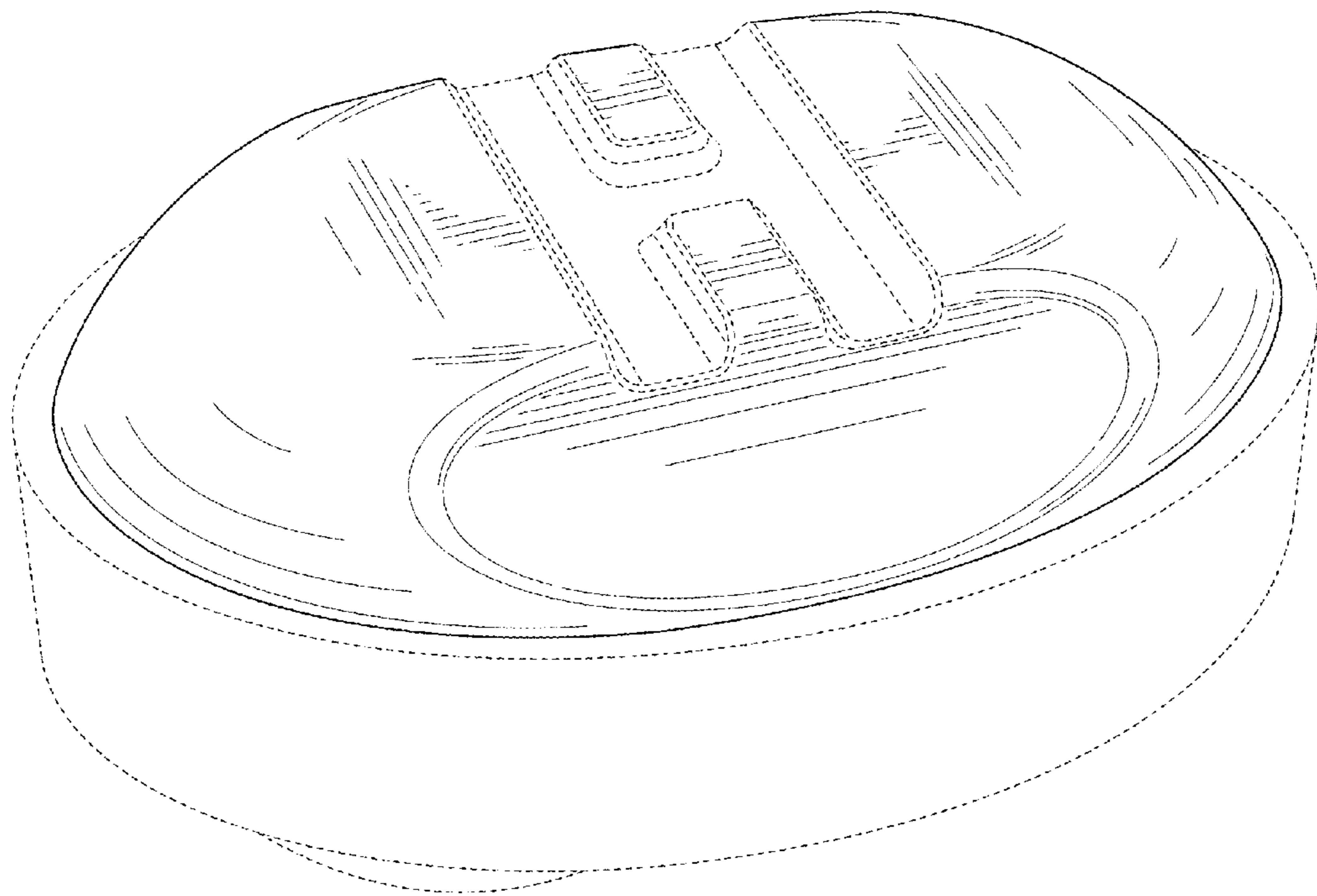


FIG. 1

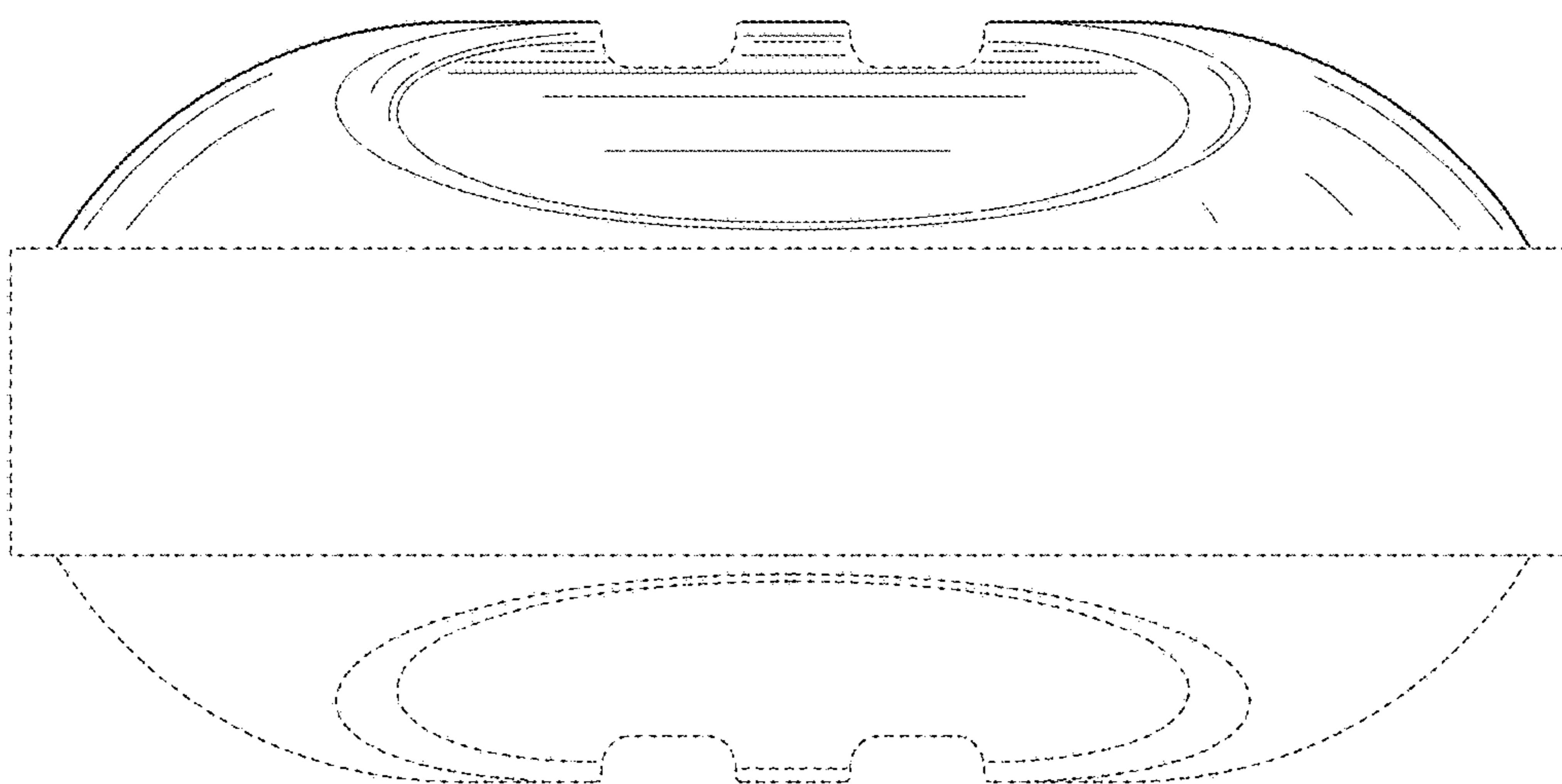


FIG. 2

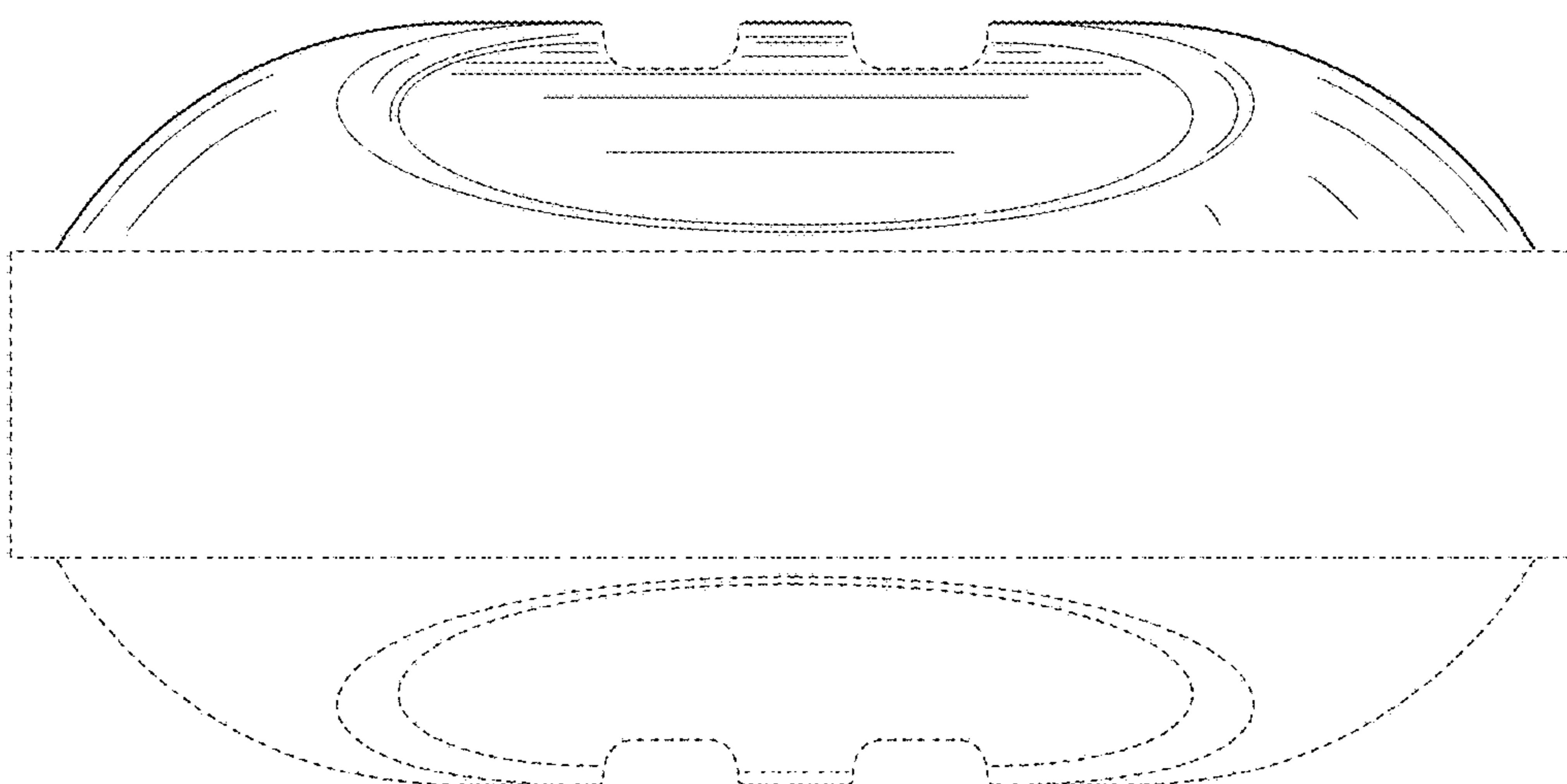


FIG. 3

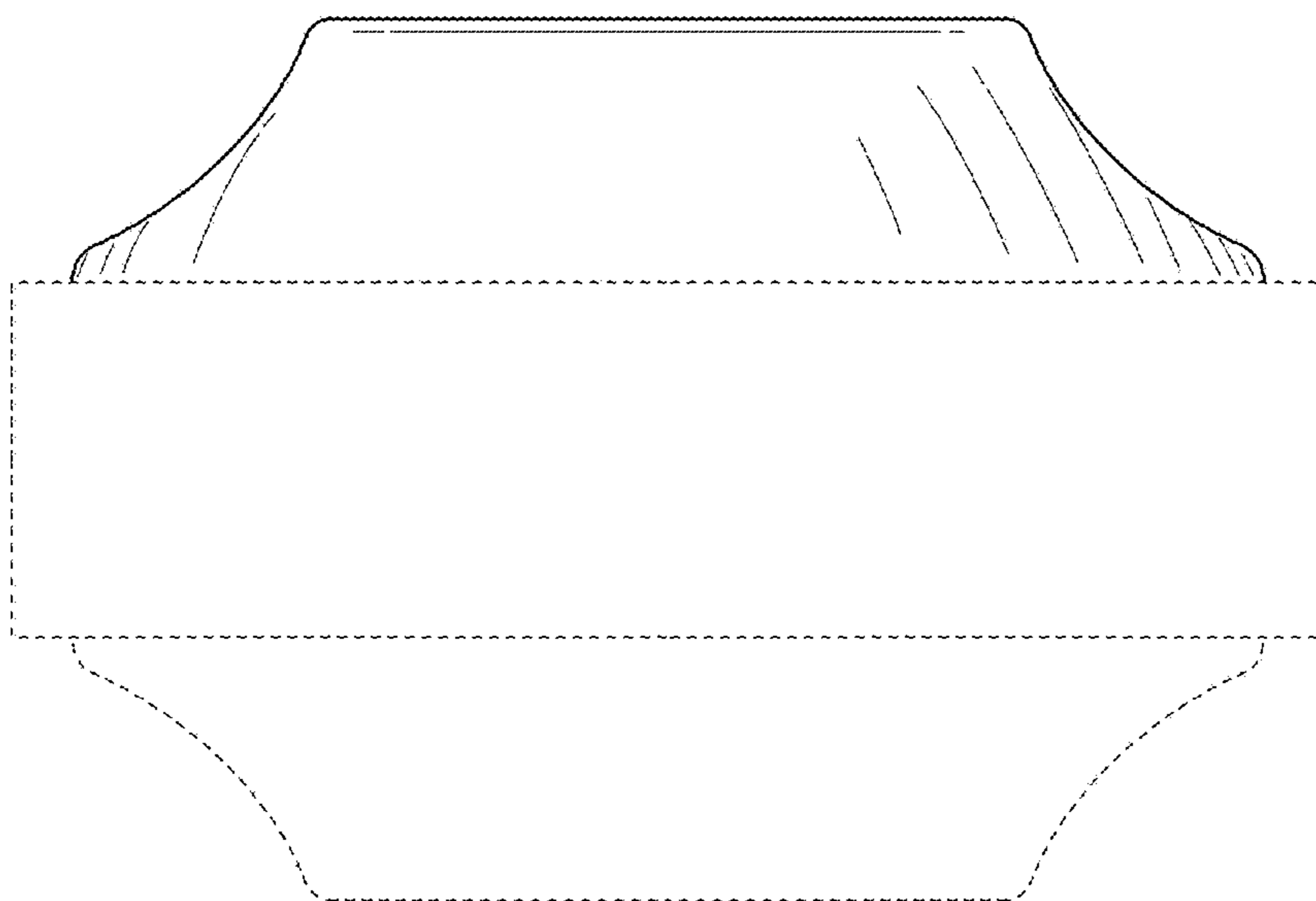


FIG. 4

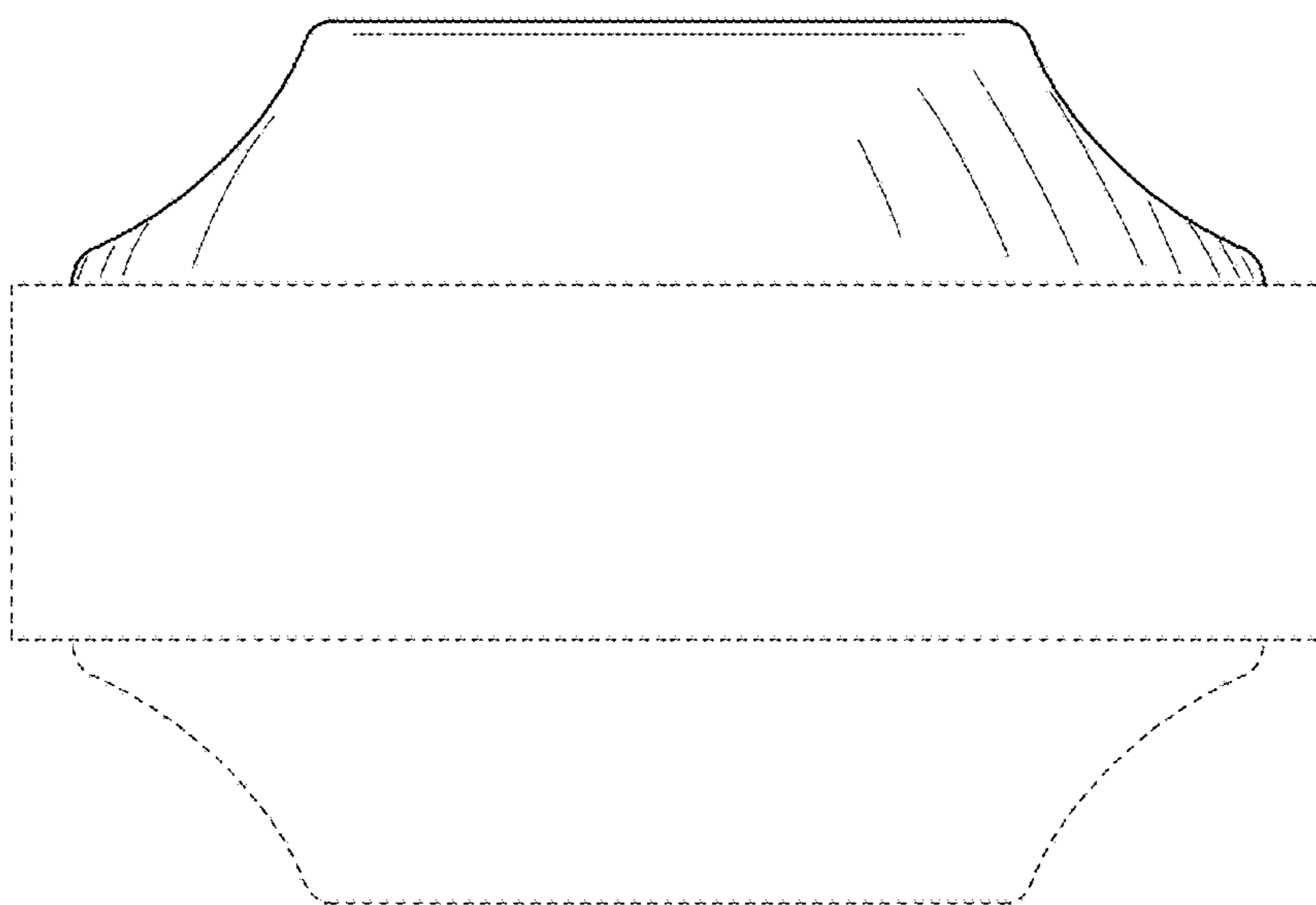


FIG. 5

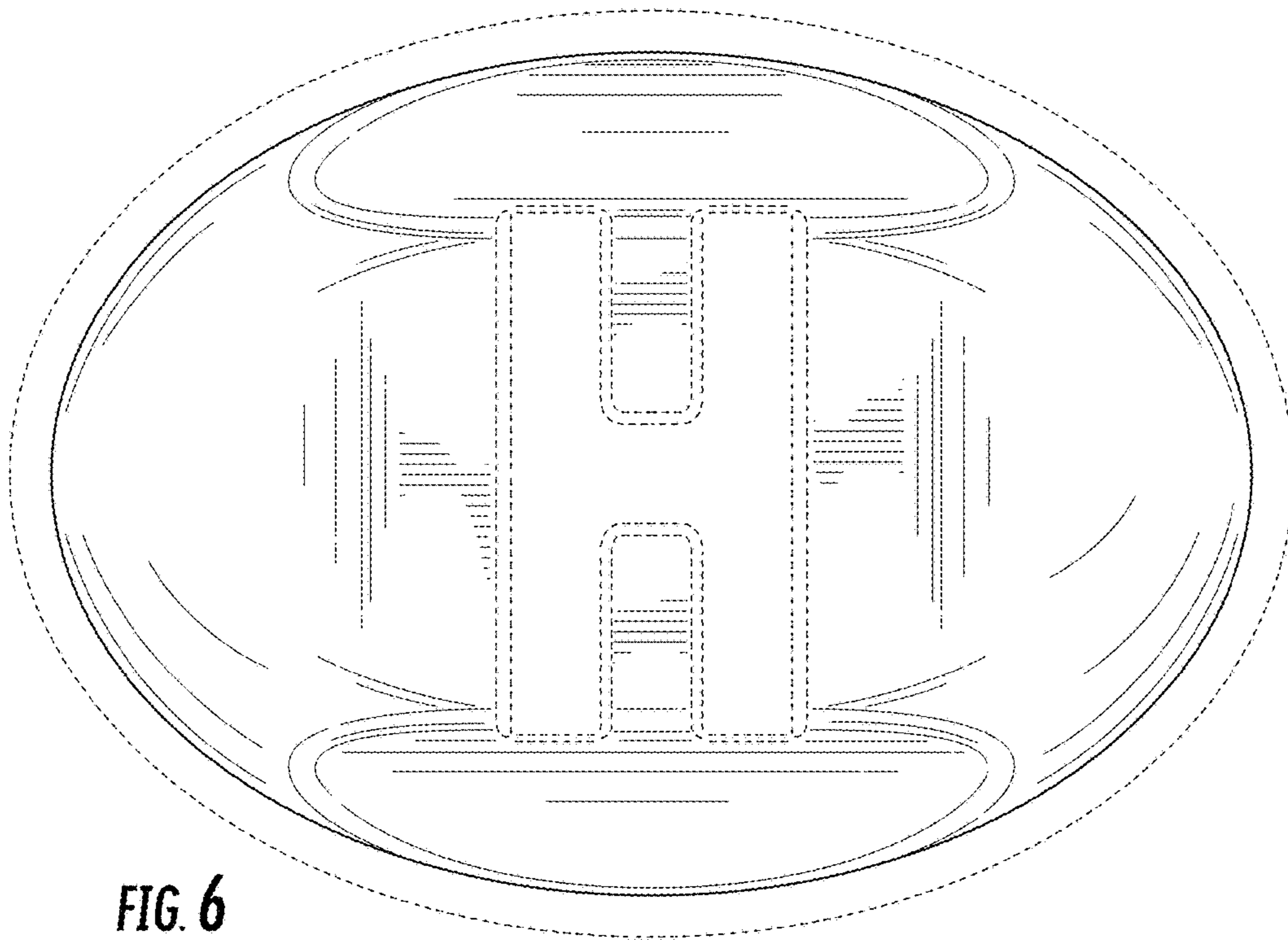


FIG. 6

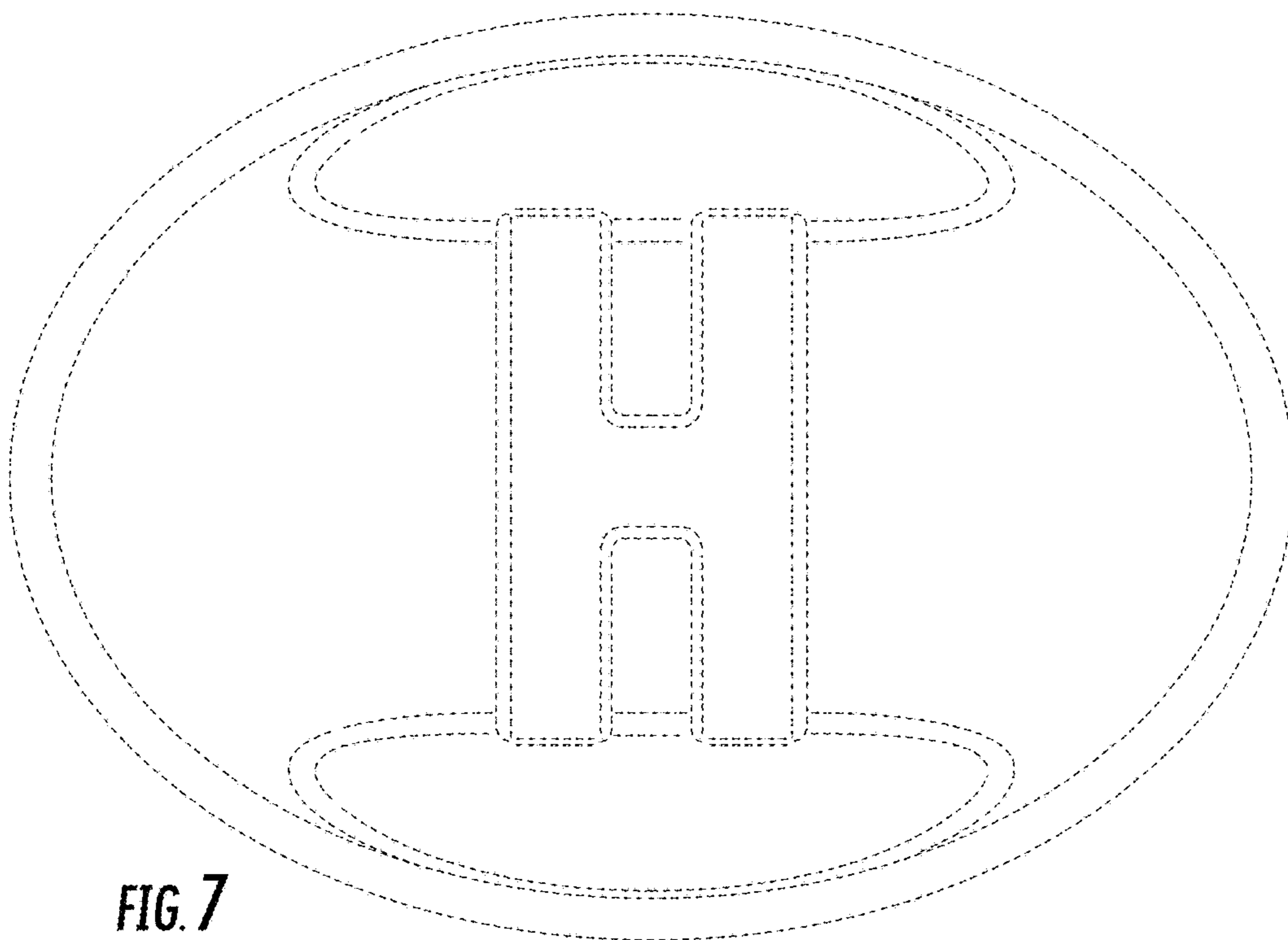


FIG. 7

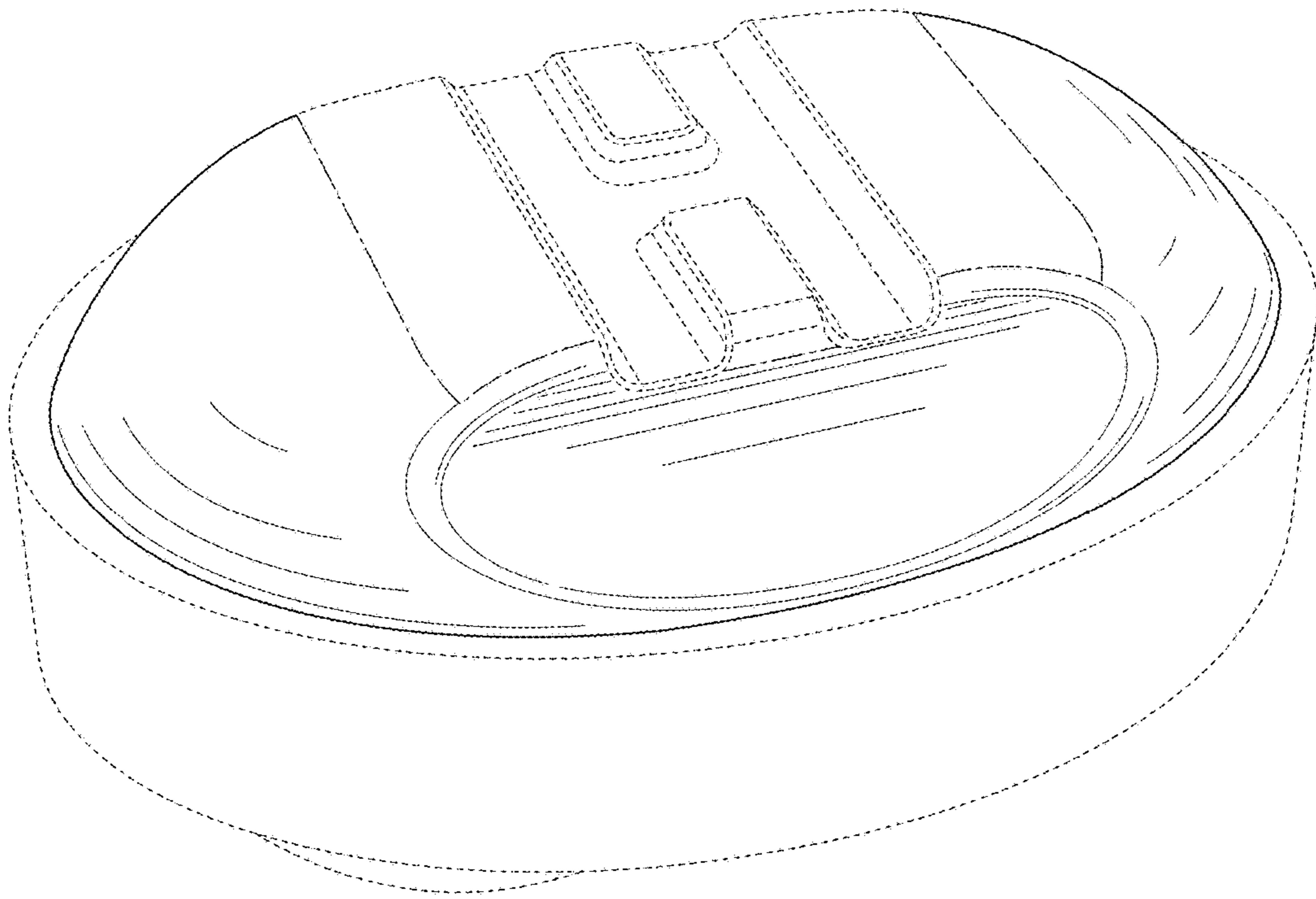


FIG. 8

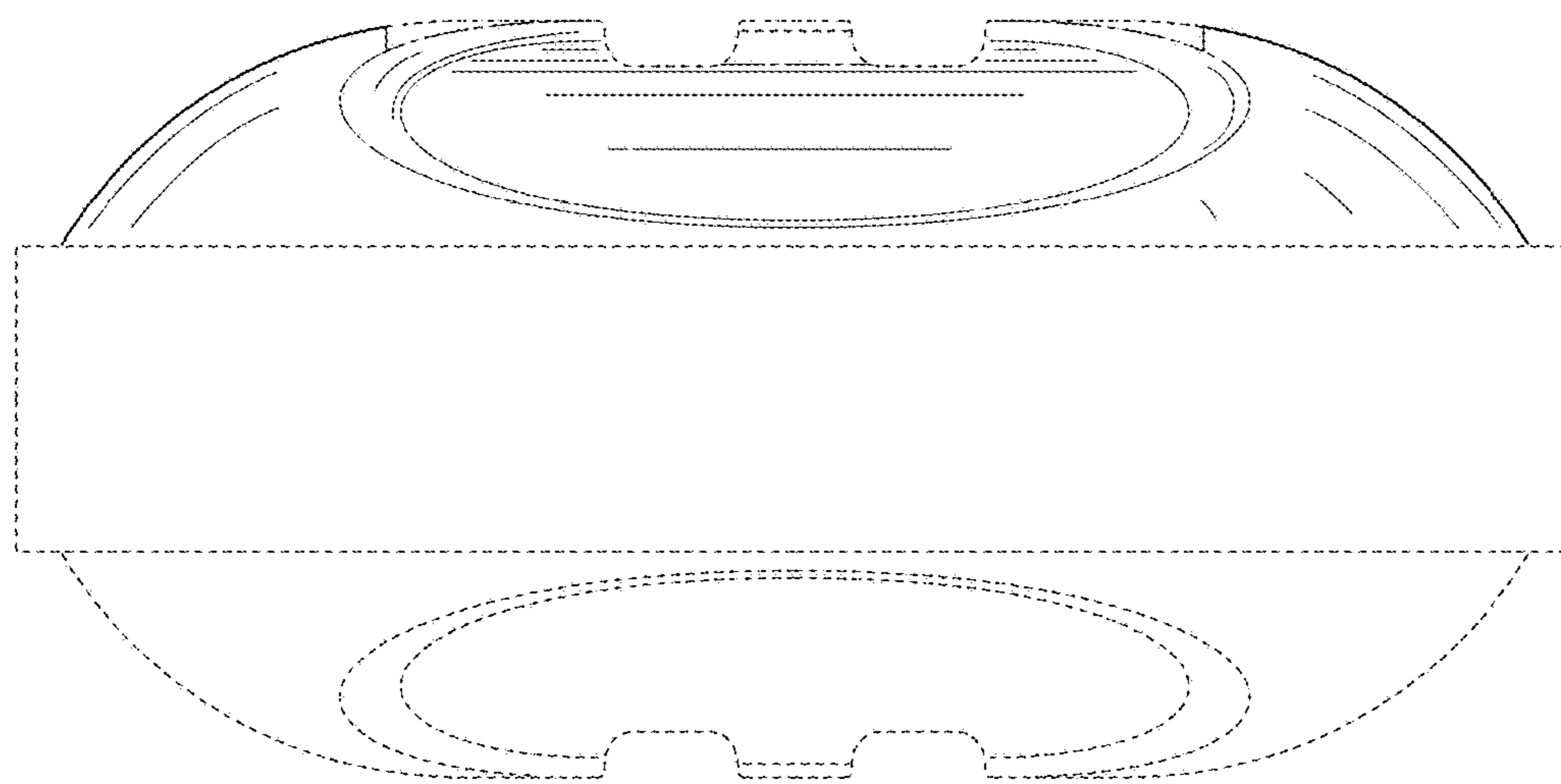


FIG. 9

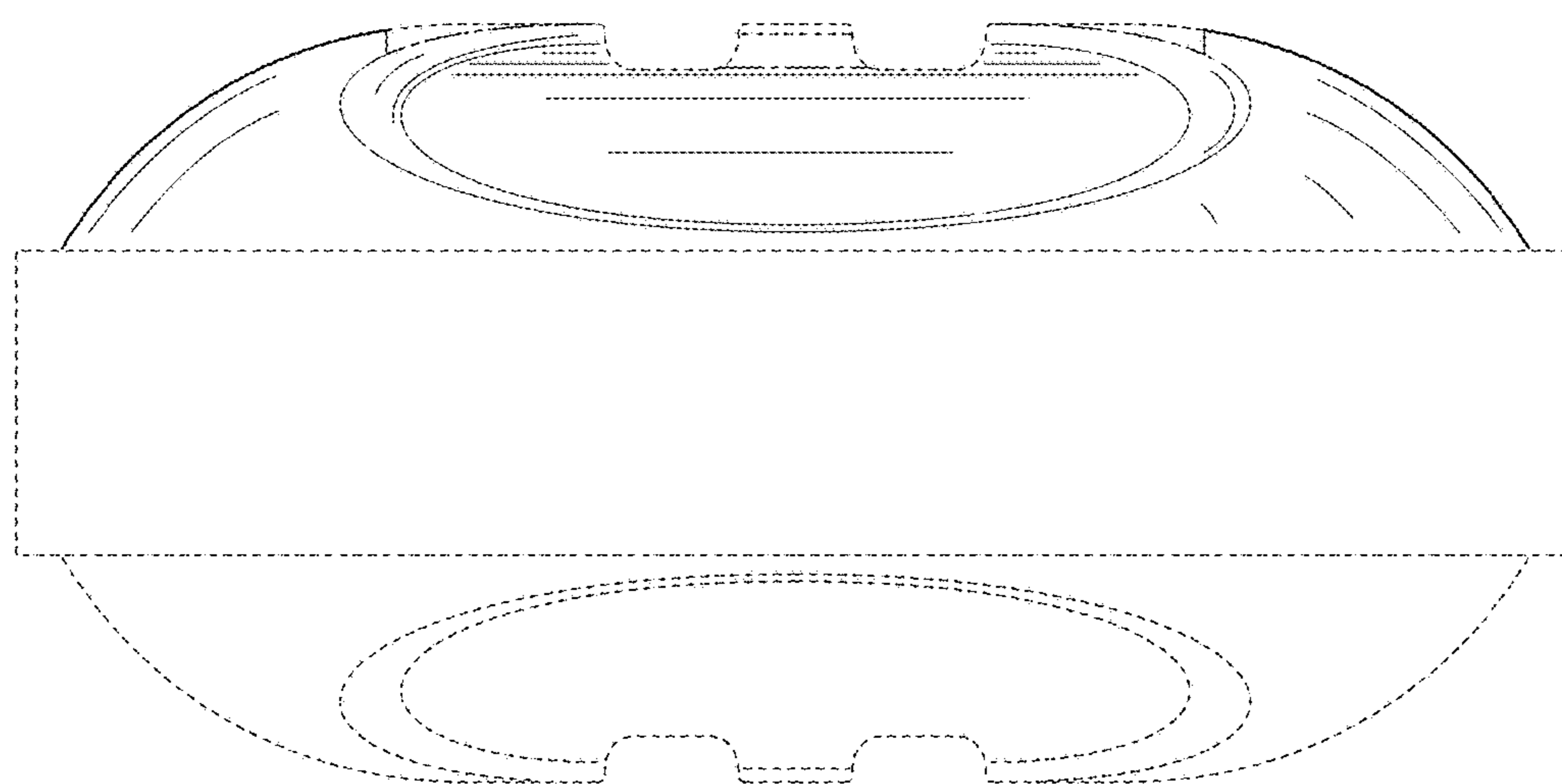


FIG. 10

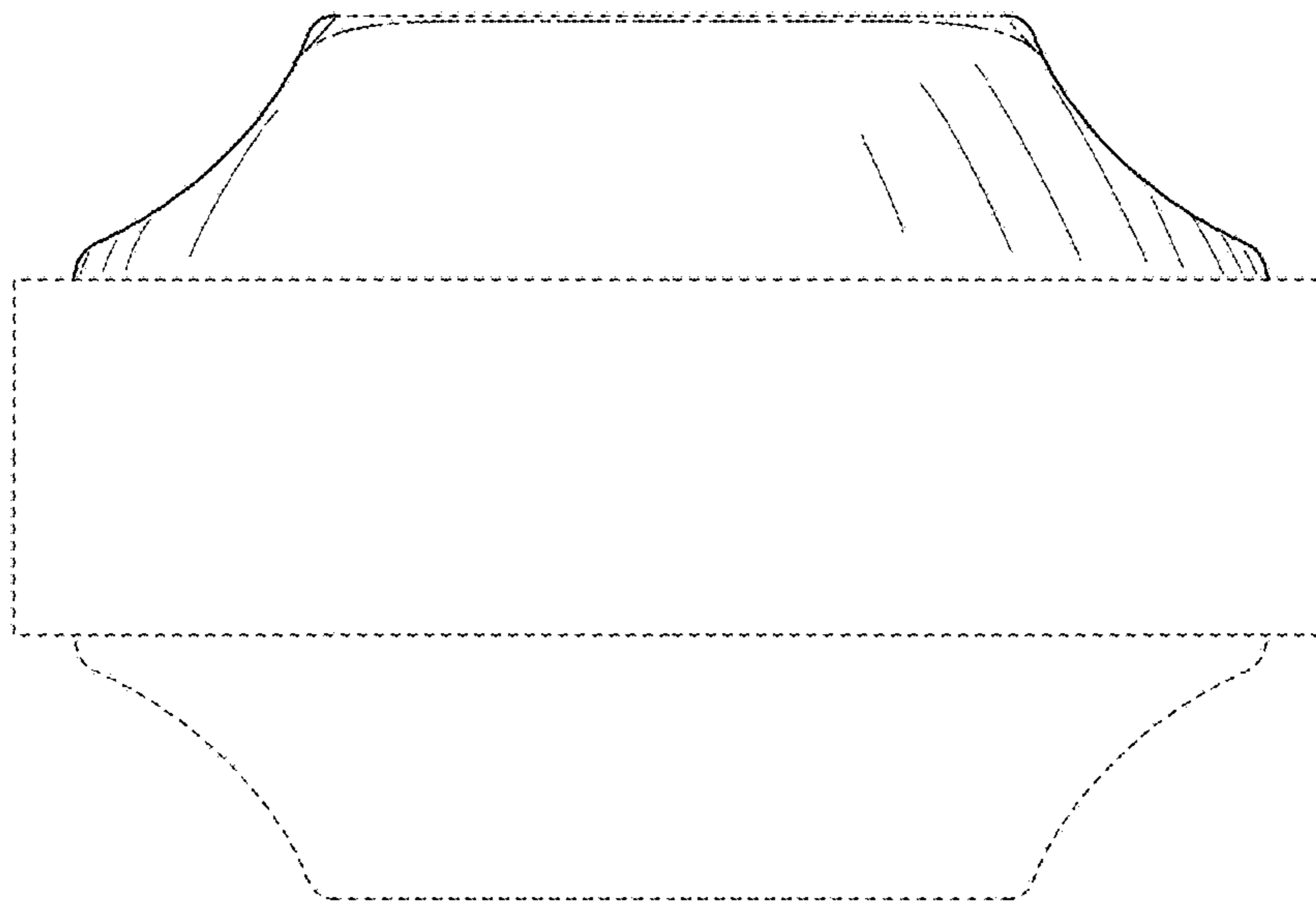


FIG. 11

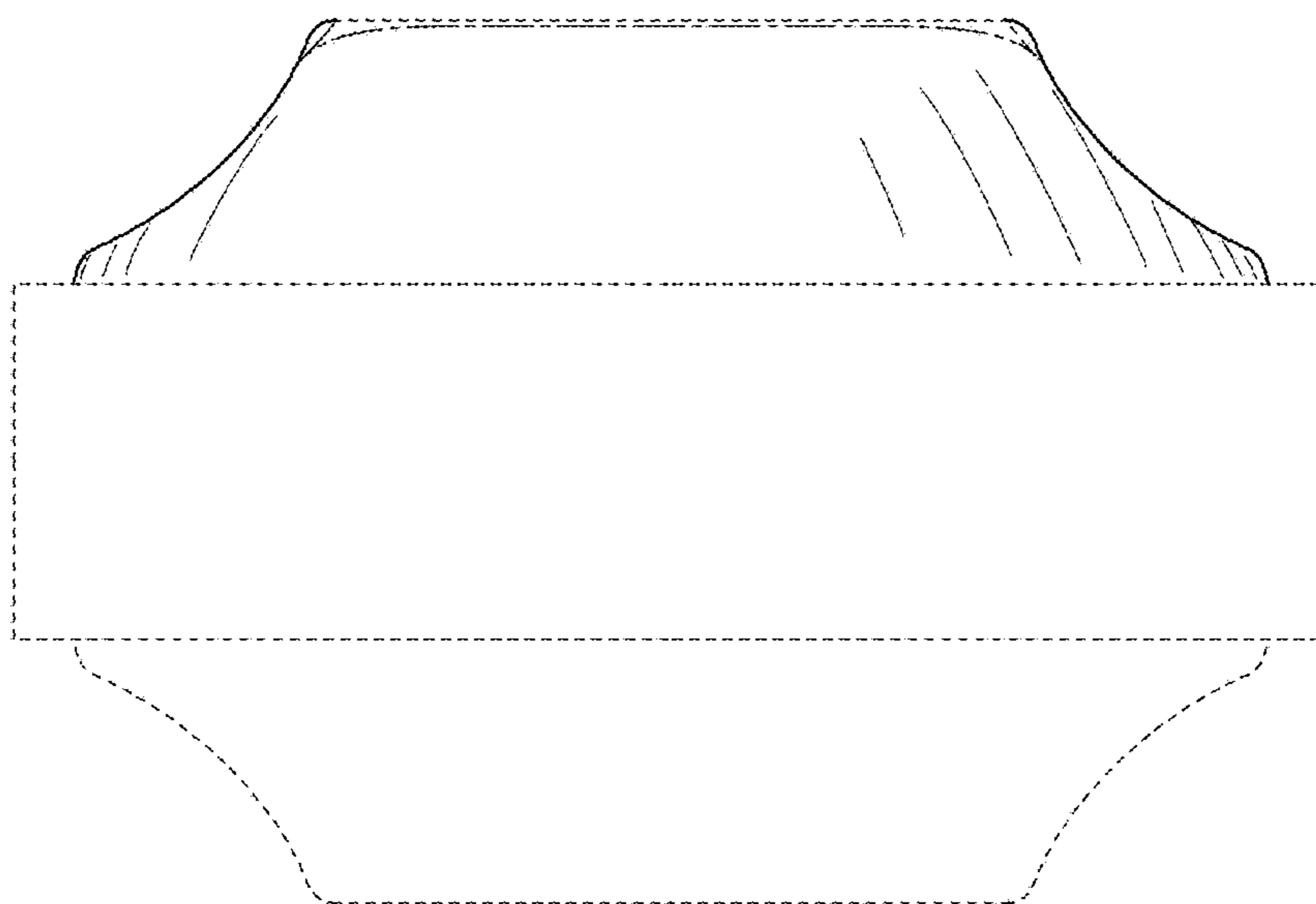


FIG. 12

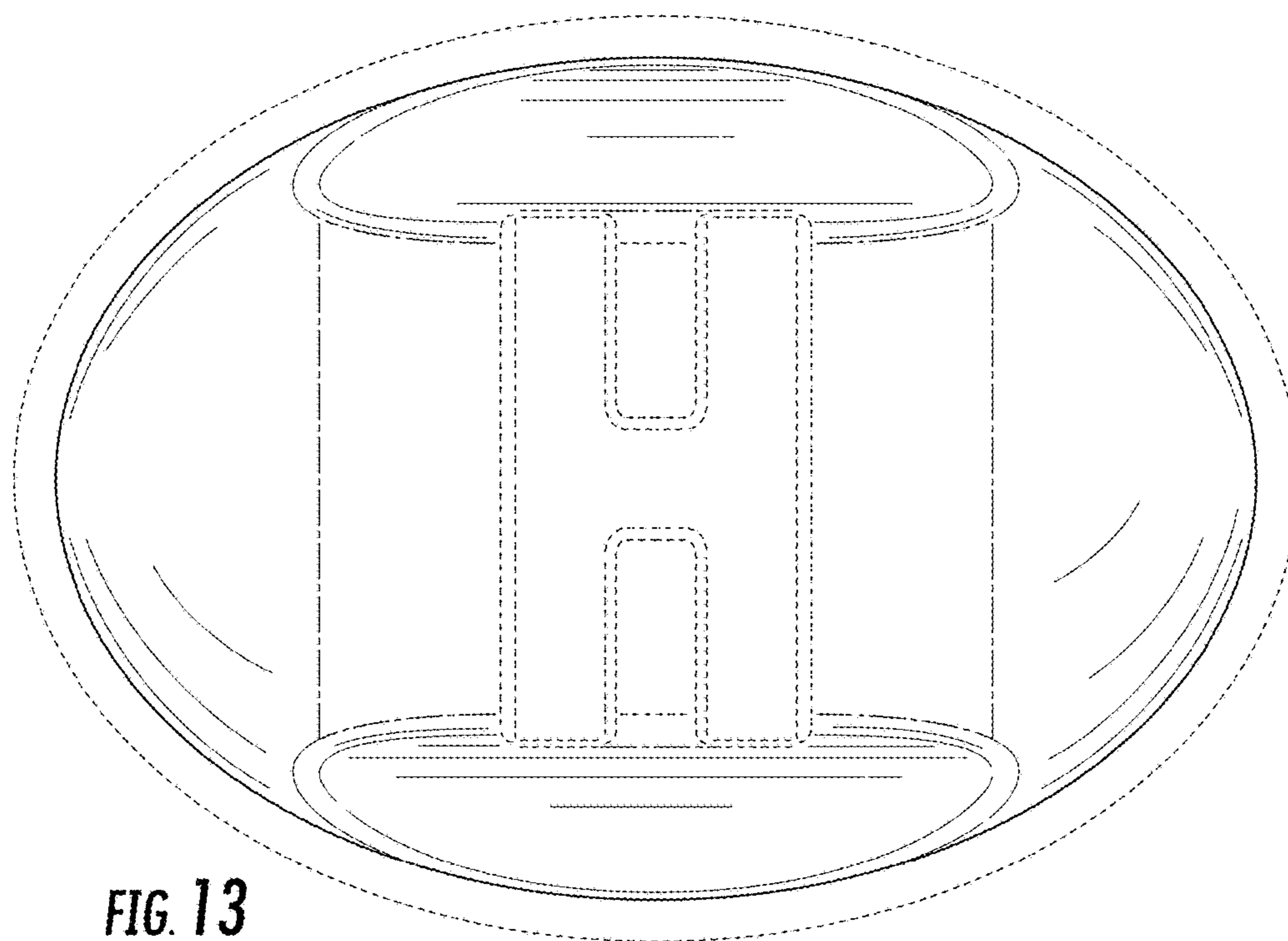


FIG. 13

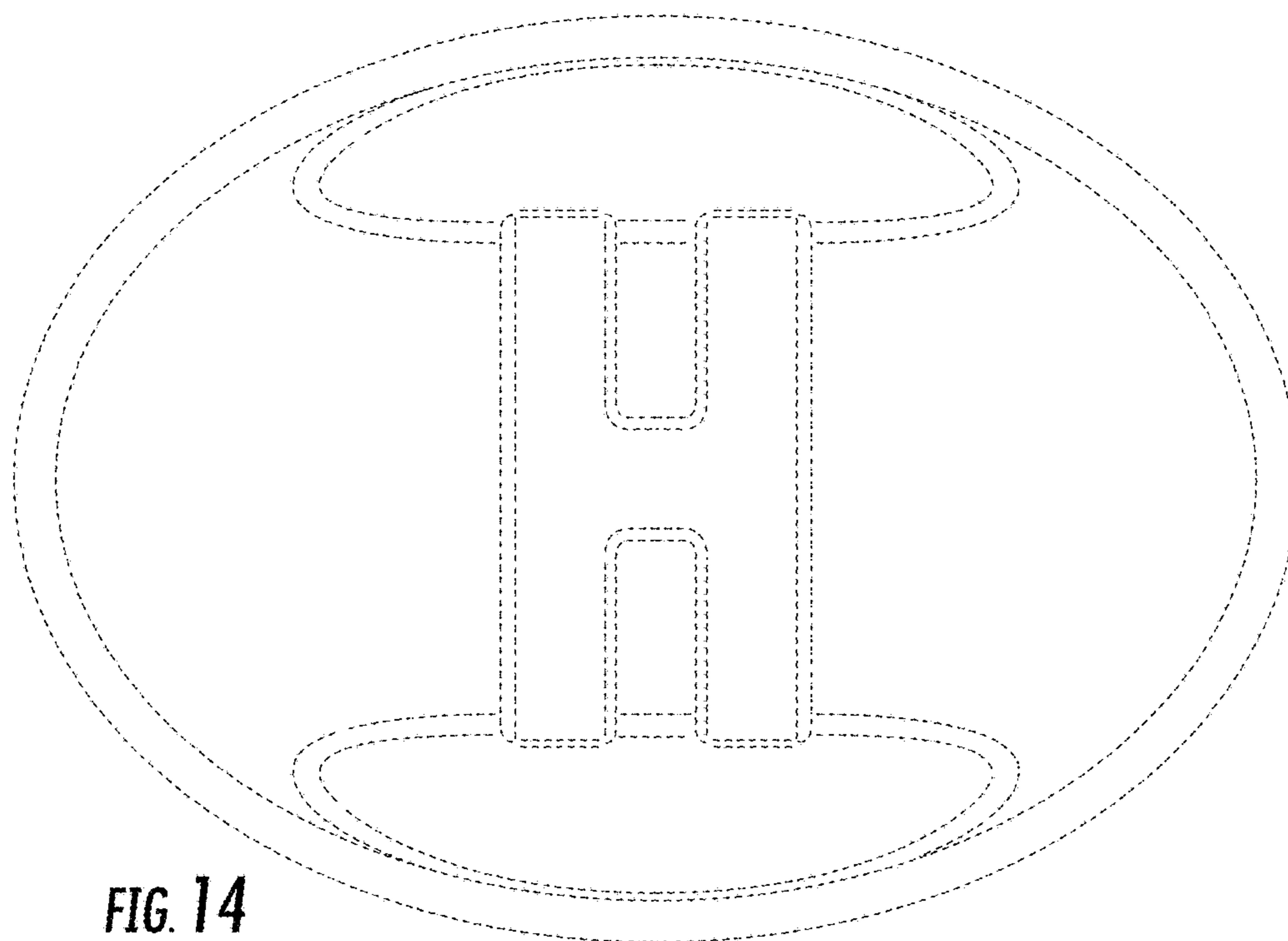


FIG. 14