



US00D821681S

(12) **United States Design Patent**
Lee

(10) **Patent No.:** **US D821,681 S**
(45) **Date of Patent:** **** Jul. 3, 2018**

- (54) **HOT DOG AND BUN**
- (71) Applicant: **The SVL Companies Inc.**, Las Vegas, NV (US)
- (72) Inventor: **Steven Vincent Lee**, Las Vegas, NV (US)
- (73) Assignee: **The SVL Companies Inc.**, Las Vegas, NV (US)
- (**) Term: **15 Years**
- (21) Appl. No.: **29/567,608**
- (22) Filed: **Jun. 10, 2016**
- (51) **LOC (11) Cl.** **01-01**
- (52) **U.S. Cl.**
USPC **D1/107; D1/129**
- (58) **Field of Classification Search**
USPC D1/100–130, 199; D21/585, 592, 650;
D6/569, 598; D7/401.2; D19/59
CPC A23G 9/48; A21D 2/16; A21D 13/0029;
A23L 1/217; A22C 13/0013
See application file for complete search history.

D409,037 S *	5/1999	Bear	D21/650
D562,897 S *	2/2008	Ballinger	D19/59
D682,953 S *	5/2013	Mimlitch, III	D21/578
D690,993 S *	10/2013	Im	D7/401.2
D698,396 S *	1/2014	Friedland	D21/572
D701,667 S *	4/2014	Coomes	D1/125
D710,192 S *	8/2014	Halbur	D9/414
D755,312 S *	5/2016	Summers	D21/650
D765,187 S *	8/2016	Desberg	D21/428

* cited by examiner

Primary Examiner — Katie Stofko

(74) *Attorney, Agent, or Firm* — John S. Artz; Dickinson Wright PLLC

(57) **CLAIM**

The ornamental design for a hot dog and bun, as shown and described.

DESCRIPTION

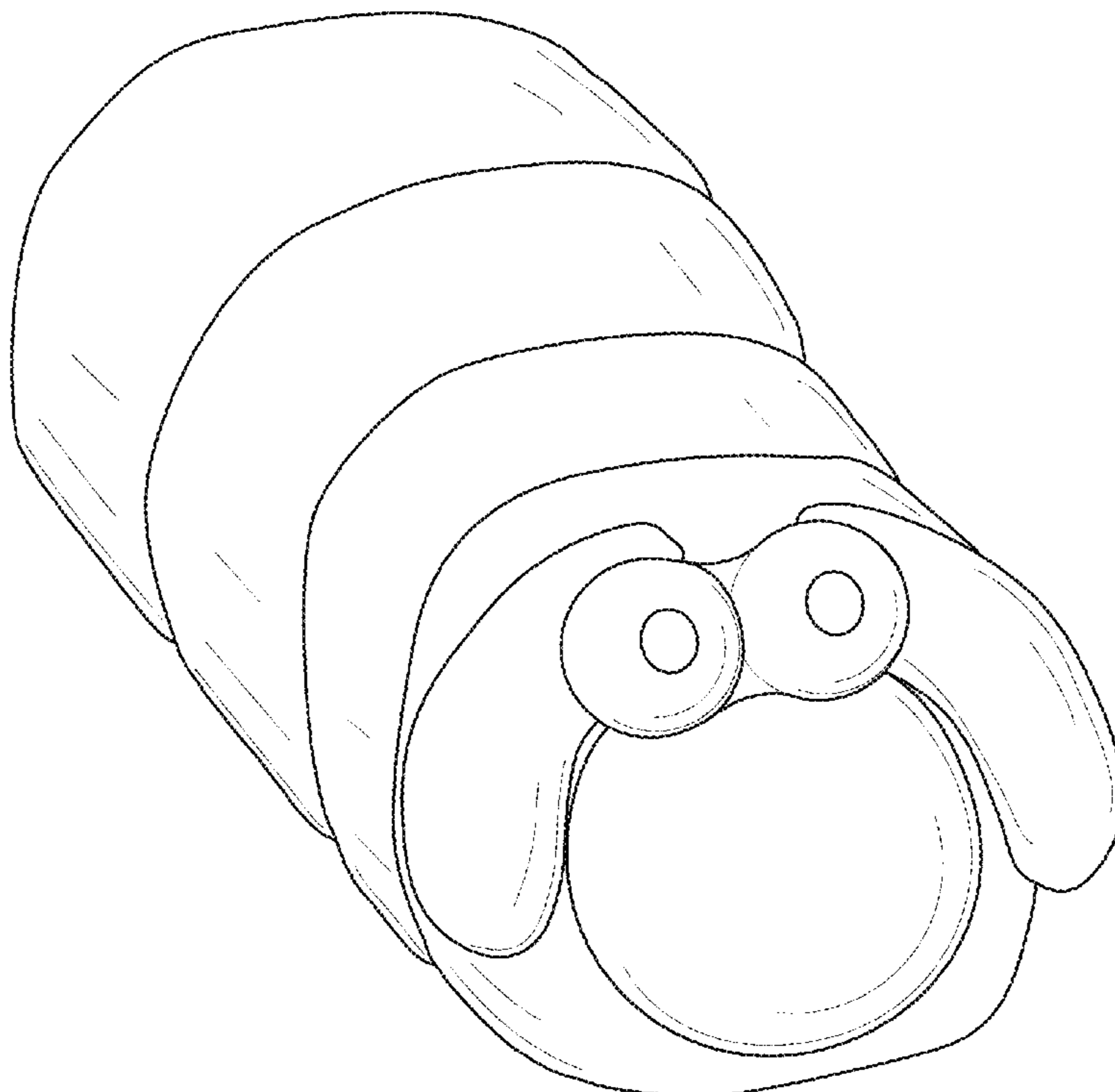
FIG. 1 is a perspective view of a hot dog and bun; FIG. 2 is a front view of the hot dog and bun of FIG. 1; FIG. 3 is a back view of the hot dog and bun of FIG. 1; FIG. 4 is a left side view of the hot dog and bun of FIG. 1; FIG. 5 is a right side view of the hot dog and bun of FIG. 1; FIG. 6 is a top view of the hot dog and bun of FIG. 1; and, FIG. 7 is a bottom view of the hot dog and bun of FIG. 1. The broken lines in FIG. 7 illustrate portions of the hot dog and bun that form no part of the claimed design.

1 Claim, 5 Drawing Sheets

(56) **References Cited**

U.S. PATENT DOCUMENTS

2,728,168 A *	12/1955	Gier	A63H 11/205
				446/177
D278,736 S *	5/1985	Klawitter	D21/592
D312,719 S *	12/1990	Kempfer	D1/101
D401,735 S *	12/1998	Rom	D1/101



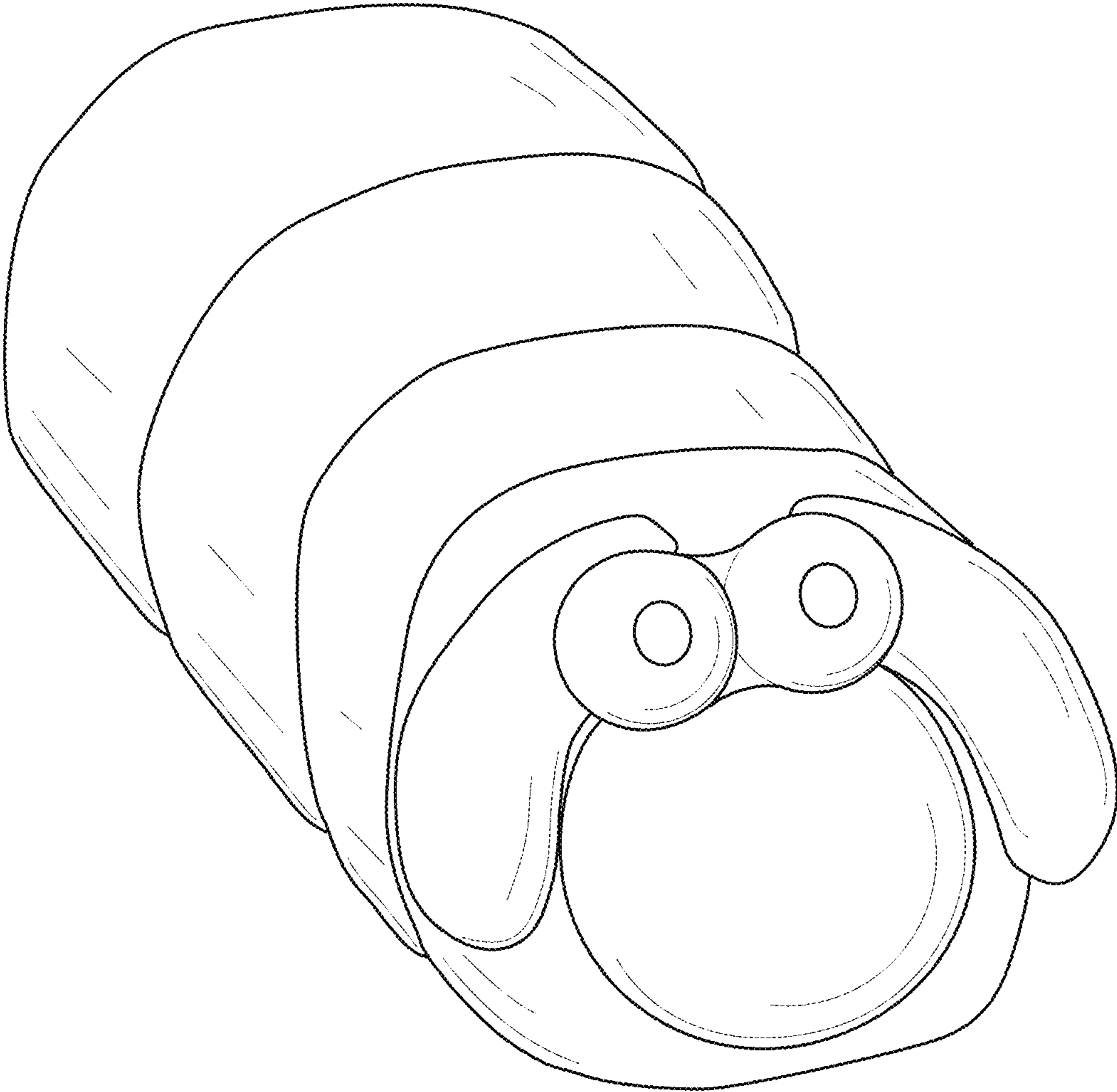


FIG. 1

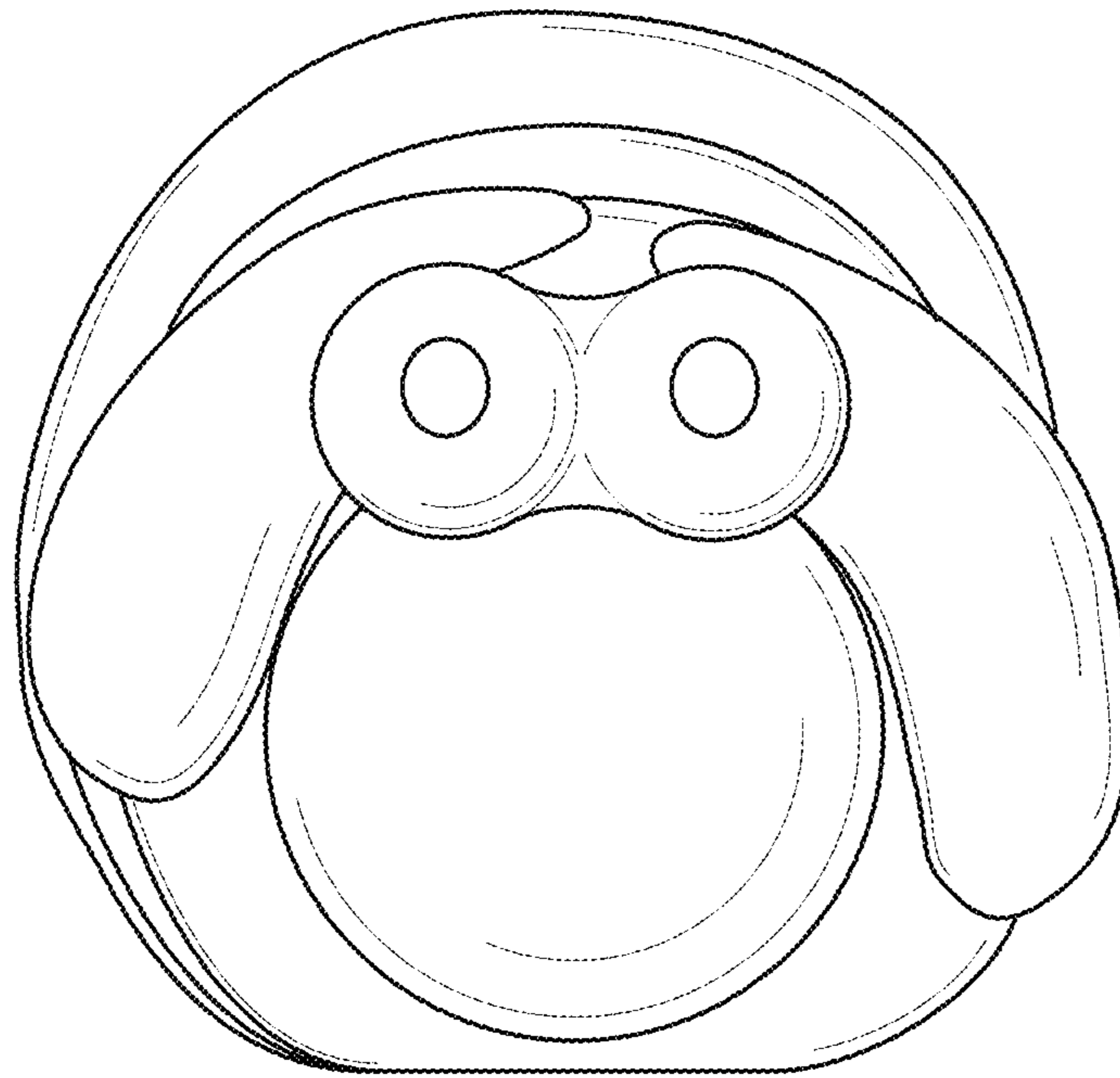


FIG. 2

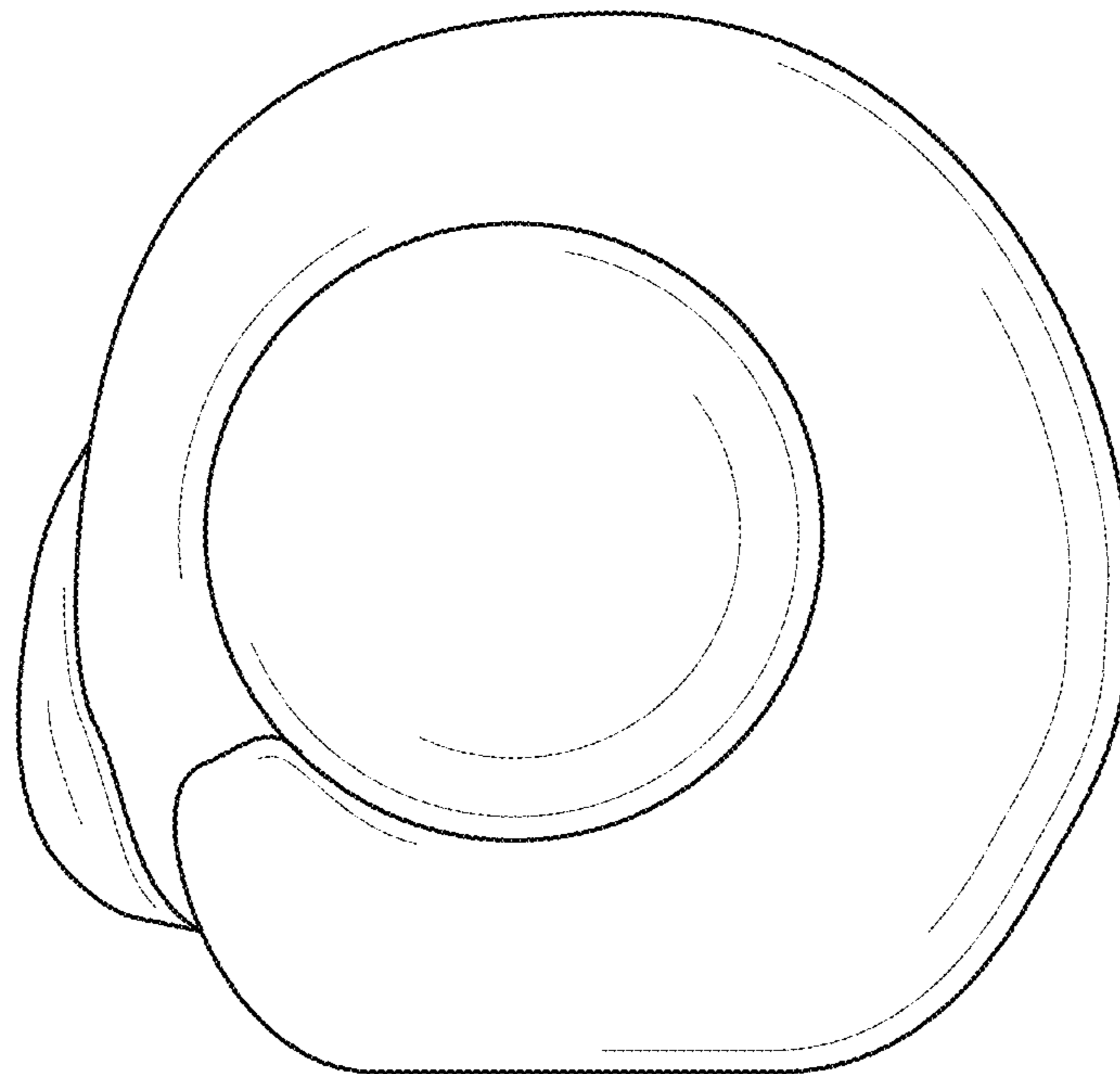


FIG. 3

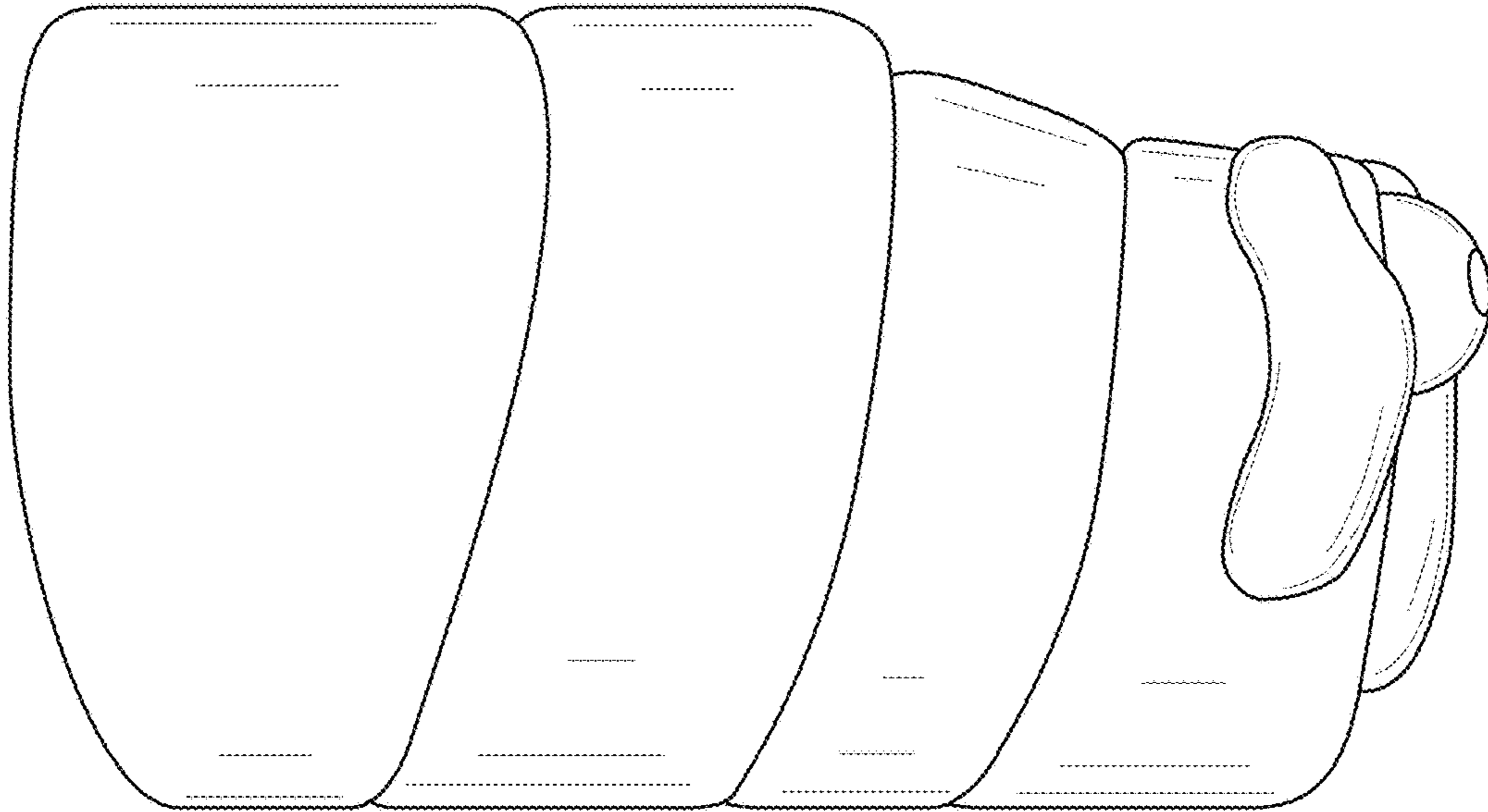


FIG. 4

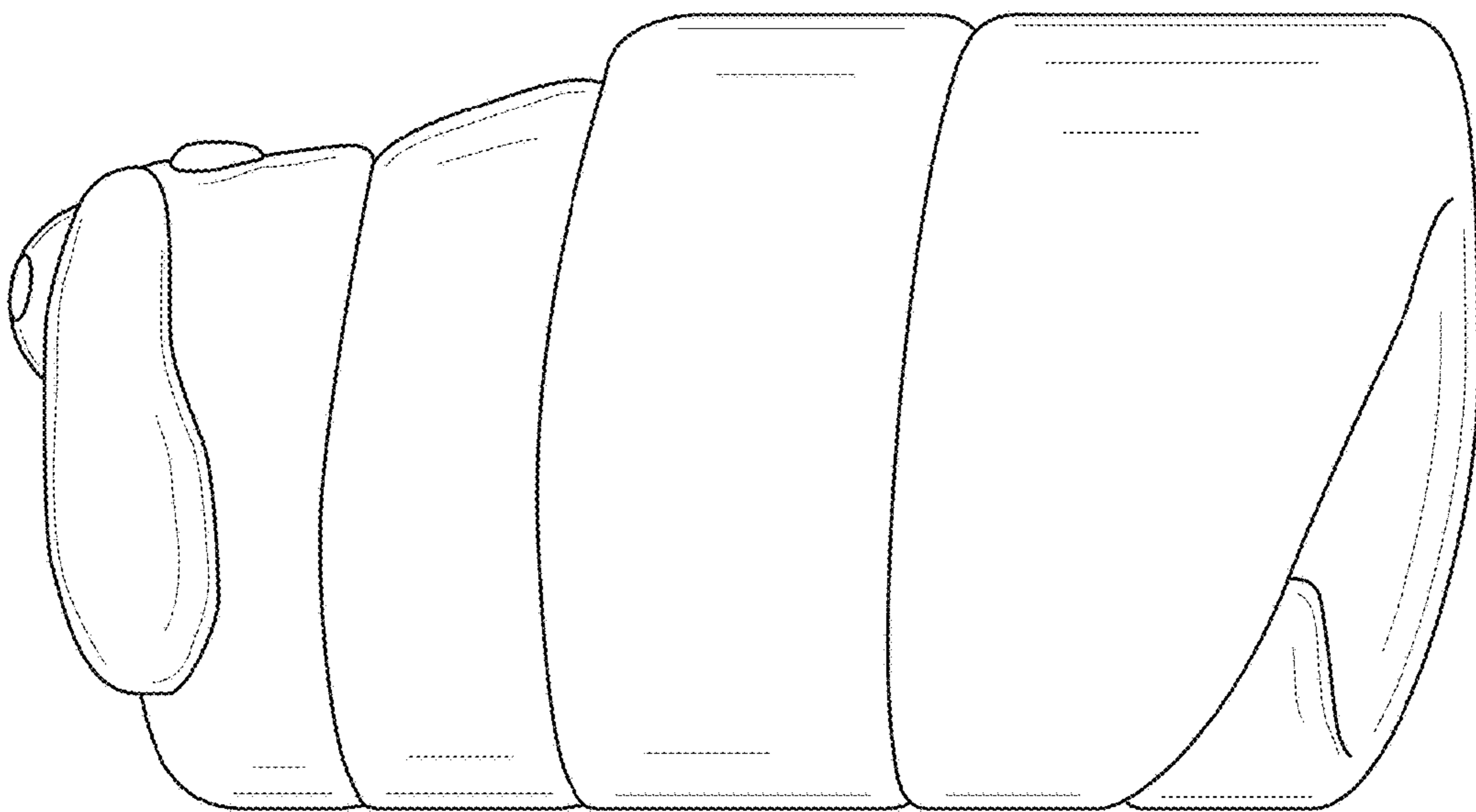


FIG. 5

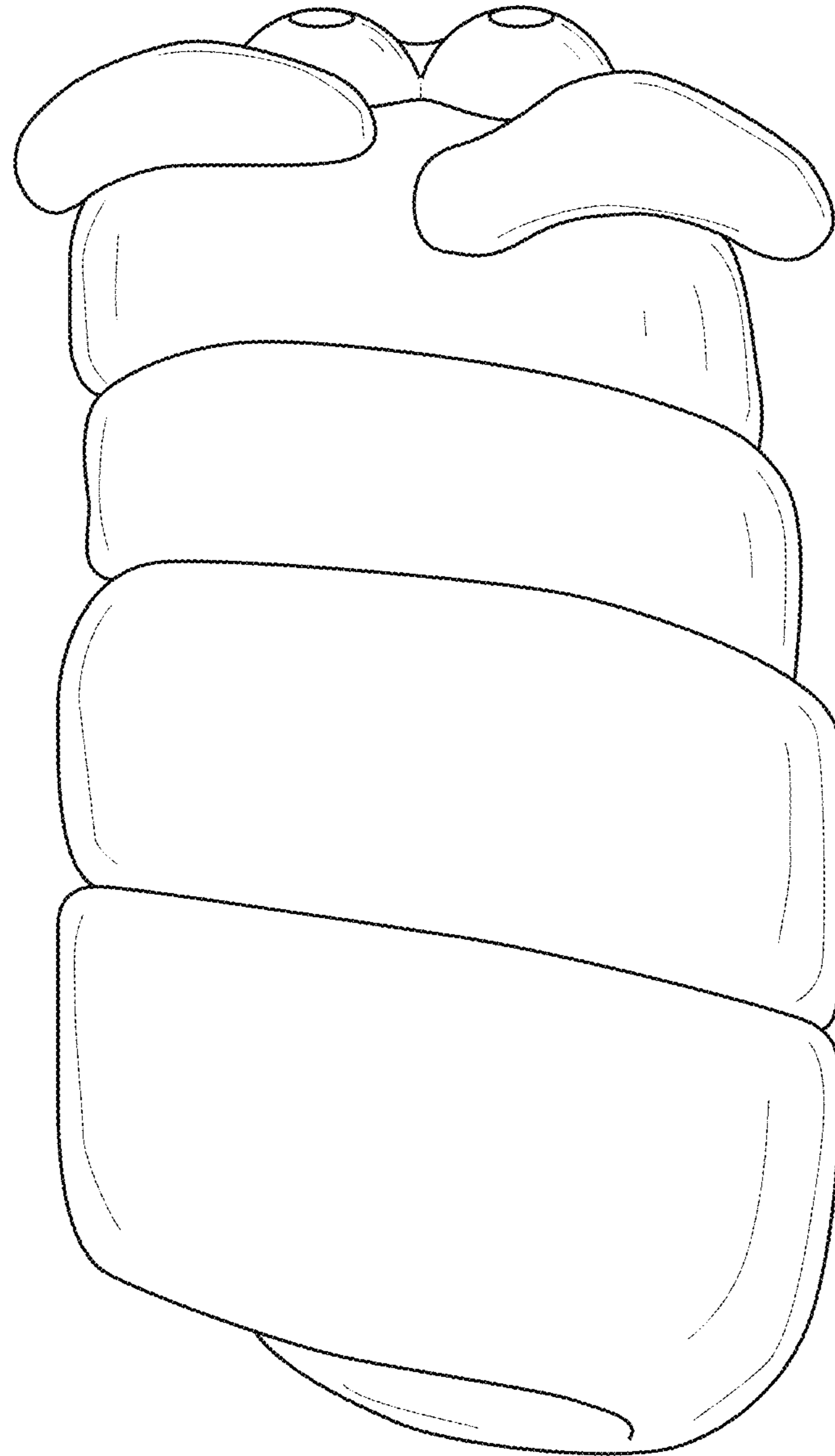


FIG. 6

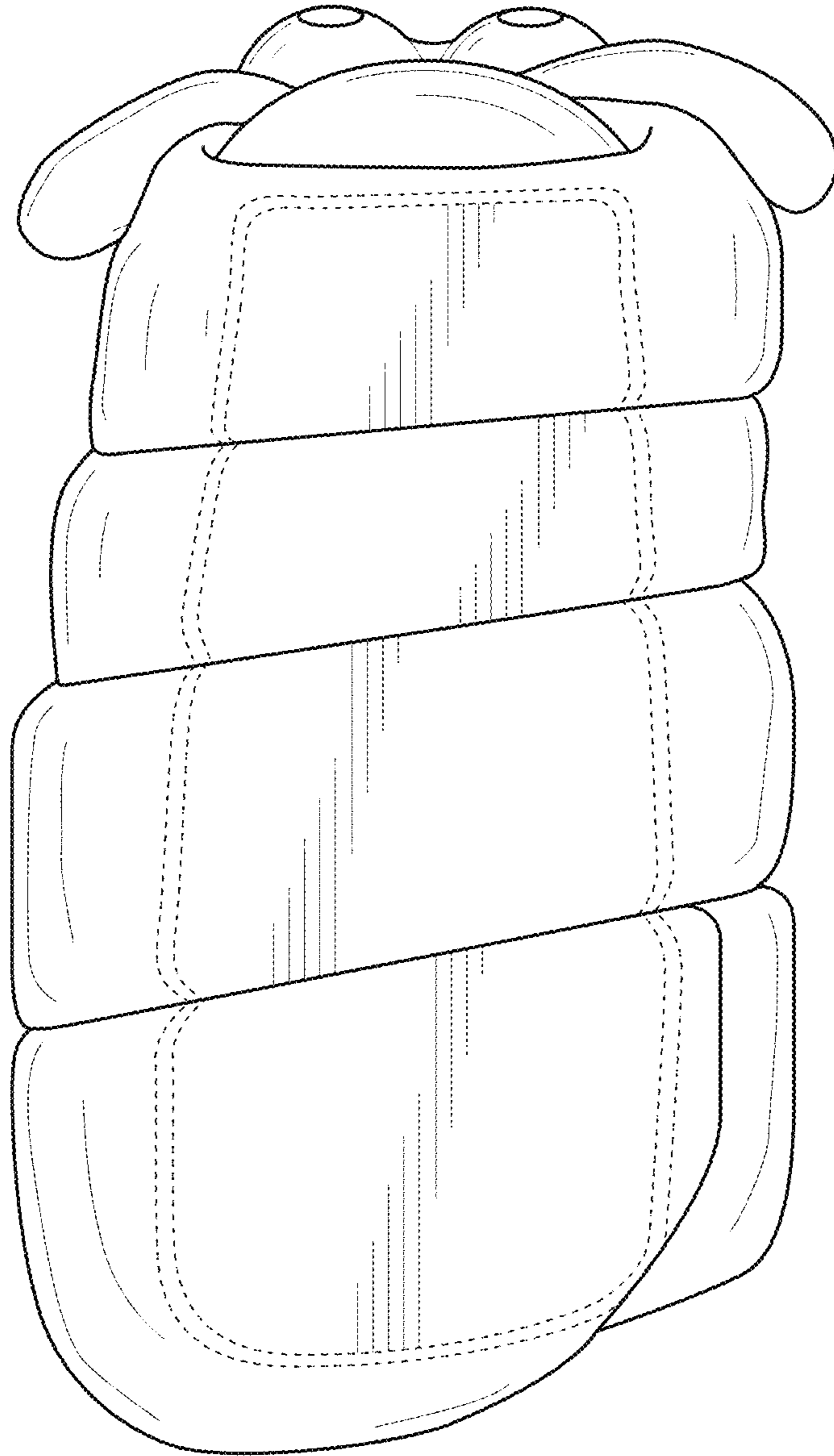


FIG. 7