



US00D821678S

(12) **United States Design Patent**
Womack et al.

(10) **Patent No.:** **US D821,678 S**
(45) **Date of Patent:** **** Jun. 26, 2018**

- (54) **CASKET**
- (71) Applicants: **McKay Womack**, Rigby, ID (US);
Isaiah Womack, Rigby, ID (US)
- (72) Inventors: **McKay Womack**, Rigby, ID (US);
Isaiah Womack, Rigby, ID (US)
- (**) Term: **15 Years**
- (21) Appl. No.: **29/593,526**
- (22) Filed: **Feb. 9, 2017**
- (51) **LOC (11) Cl.** **99-00**
- (52) **U.S. Cl.**
USPC **D99/1**
- (58) **Field of Classification Search**
USPC D99/1, 5, 17; 27/1, 2, 4, 27, 28, 35;
52/103, 104, 138, 136, 128; 312/140.3;
40/124.5, 661
CPC A61G 17/00; A61G 17/08; A61G 17/0073
See application file for complete search history.

- 3,172,183 A * 3/1965 Bugg A61G 17/00
27/35
- 3,208,188 A * 9/1965 Fulton E04H 13/00
27/35
- 3,253,312 A * 5/1966 Klosner E04H 13/00
27/35
- 3,348,280 A * 10/1967 Myers A61G 17/00
27/2
- D222,880 S * 1/1972 Madlem D99/1
- D223,903 S * 6/1972 Herridet D99/1
- D227,758 S * 7/1973 Brady 27/35
- D229,176 S * 11/1973 Andrus D99/7
- 3,868,799 A * 3/1975 Hayward E04H 13/00
137/855
- D242,153 S * 11/1976 Acton D99/1
- 4,034,447 A * 7/1977 Kollmann A61G 17/00
27/2
- 4,249,289 A * 2/1981 Work A61G 17/00
27/35
- 4,253,220 A * 3/1981 Work A61G 17/00
27/35
- D300,978 S * 5/1989 Bethune D99/1
- D303,032 S * 8/1989 Clements D99/1

(Continued)

Primary Examiner — Paula Allen Greene
(74) *Attorney, Agent, or Firm* — Schmeiser, Olsen & Watts LLP

(56) **References Cited**

U.S. PATENT DOCUMENTS

- D100,265 S * 7/1936 Goggins D99/3
- 2,103,547 A * 12/1937 Morris E04H 13/00
27/17
- 2,115,292 A * 4/1938 Wise E04H 13/00
27/35
- 2,327,949 A * 8/1943 West A61G 17/00
27/3
- 2,508,319 A * 5/1950 Westenhaver A61G 17/00
27/35
- 2,665,471 A * 1/1954 Gould A61G 17/00
27/11
- 2,940,156 A * 6/1960 Cook E04H 13/00
27/35
- 3,070,868 A * 1/1963 Dell A61G 17/00
220/324

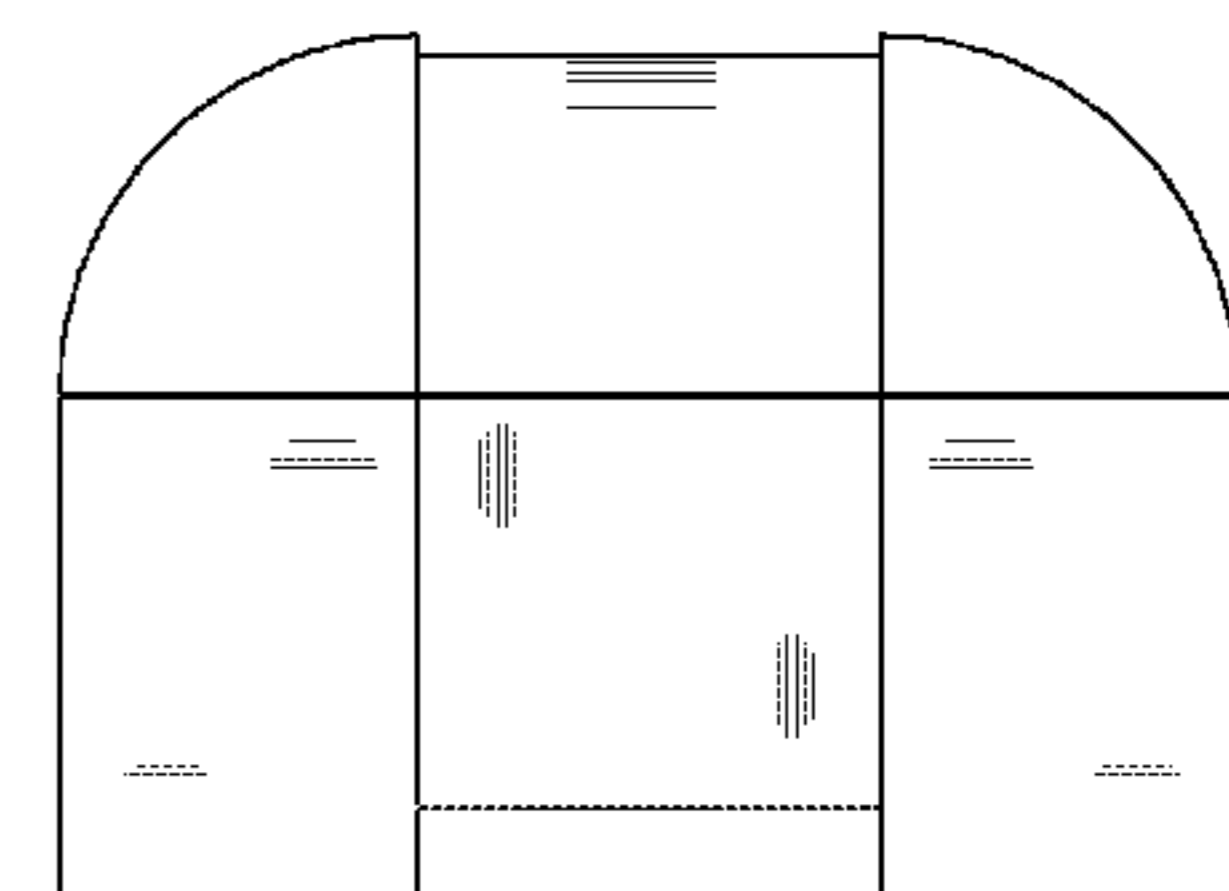
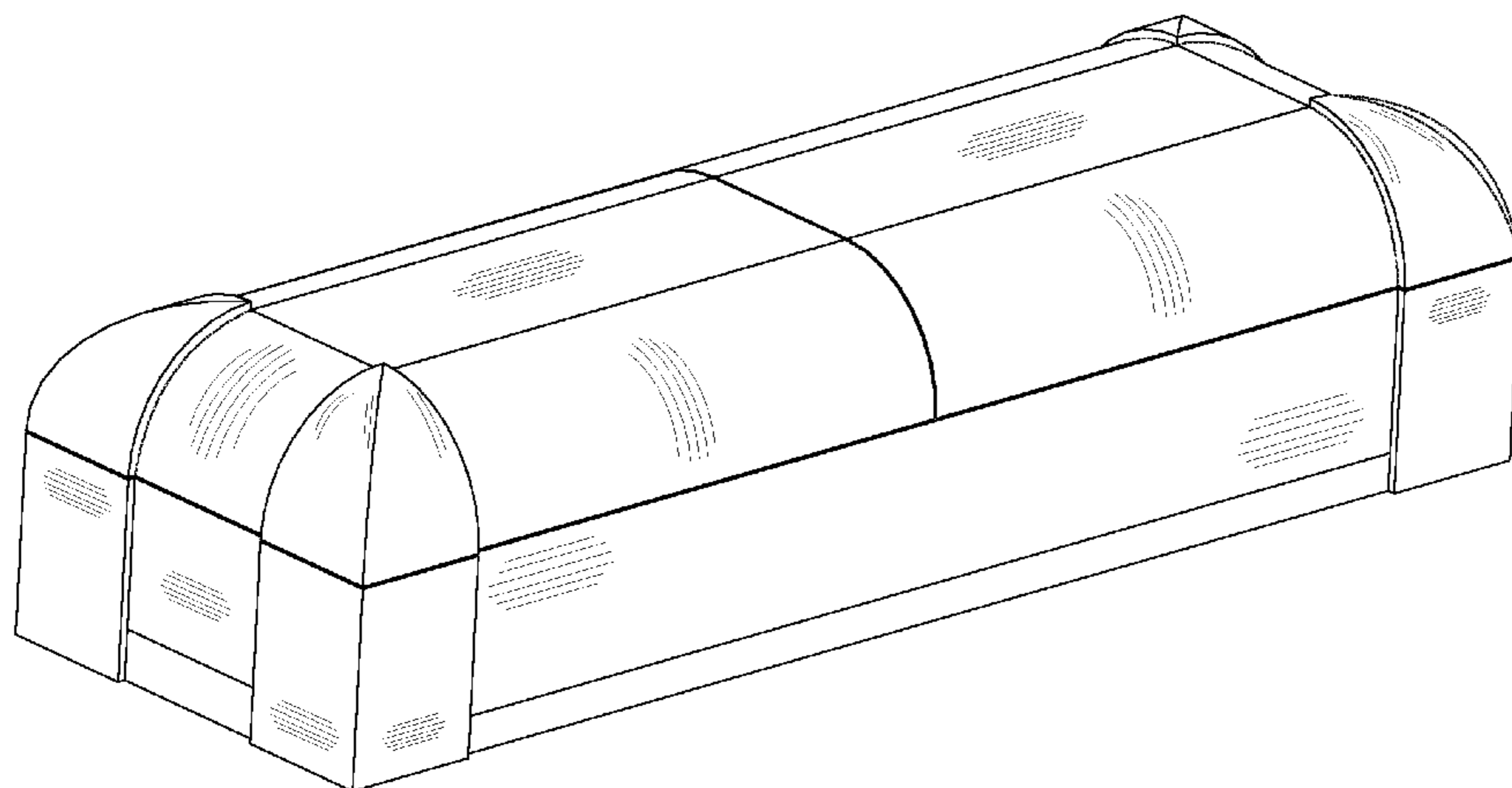
(57) **CLAIM**

The ornamental design for the casket, as shown and described.

DESCRIPTION

FIG. 1 is a front perspective view of a casket;
FIG. 2 is a front view of a casket;
FIG. 3 is a rear view of a casket;
FIG. 4 is a top view of a casket;
FIG. 5 is a bottom view of a casket;
FIG. 6 is a left view of a casket; and,
FIG. 7 is a right view of a casket.

1 Claim, 4 Drawing Sheets



(56)

References Cited

U.S. PATENT DOCUMENTS

4,930,197 A * 6/1990 McClive A61G 17/00
27/10
D328,176 S * 7/1992 Ruble D99/3
5,222,281 A * 6/1993 Guerin A61G 17/00
27/10
D346,264 S * 4/1994 Etzel D99/1
5,526,616 A * 6/1996 Bamberg E04H 13/00
52/138
5,960,524 A * 10/1999 Darby A61G 17/02
27/10
D468,072 S * 12/2002 Weilein D99/1
D508,599 S * 8/2005 Lefever D99/1
D650,965 S * 12/2011 Parker D99/1
2002/0166217 A1 * 11/2002 Lew A61G 17/00
27/1
2011/0030181 A1 * 2/2011 Williamson A61G 17/00
27/14
2014/0096454 A1 * 4/2014 Meiser A61G 17/00
49/506

* cited by examiner

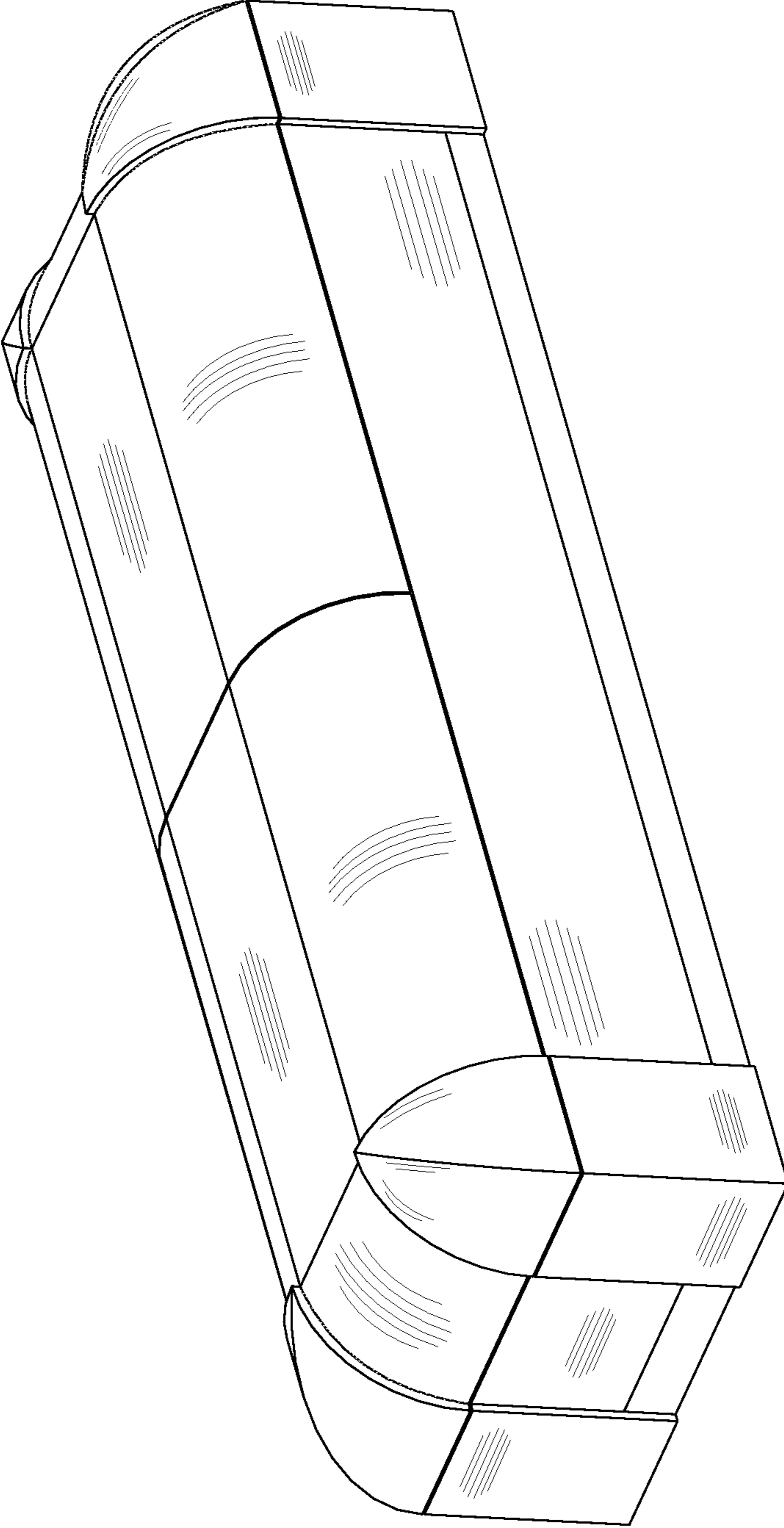


FIG. 1

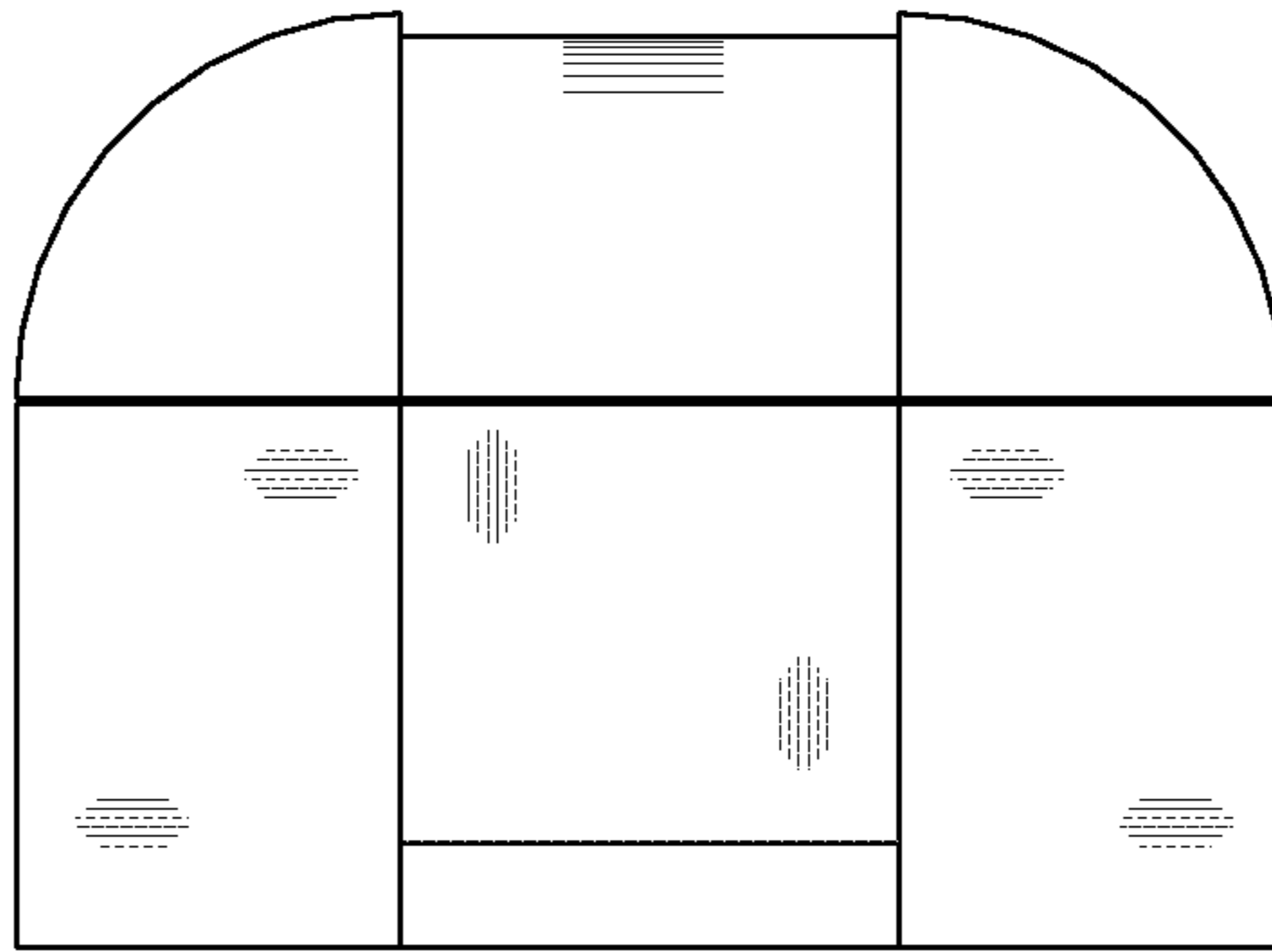


FIG. 2

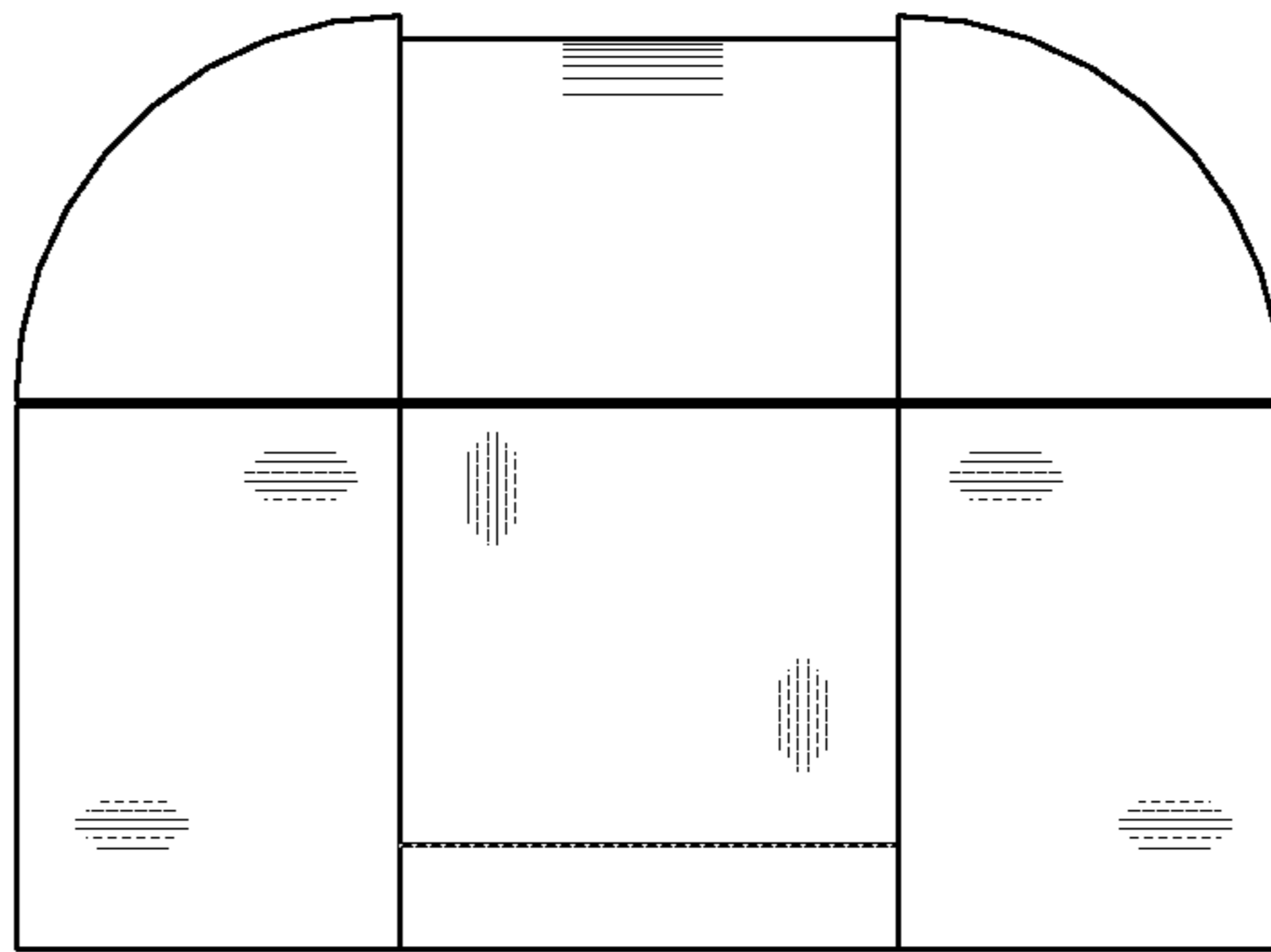


FIG. 3

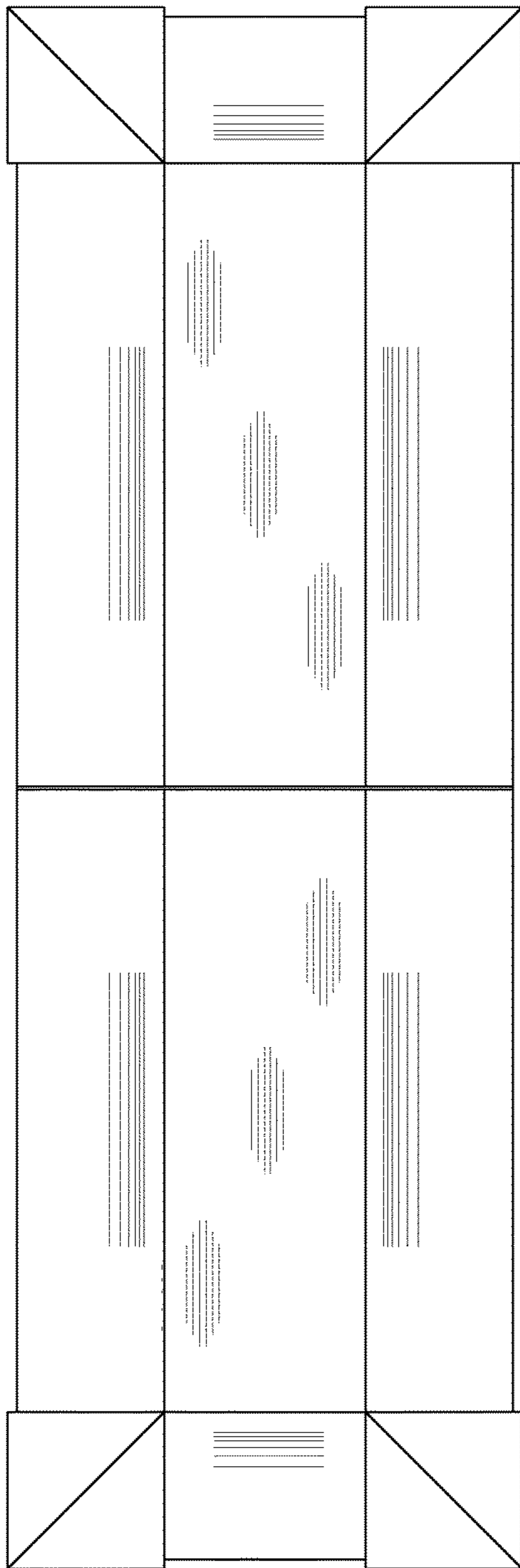


FIG. 4

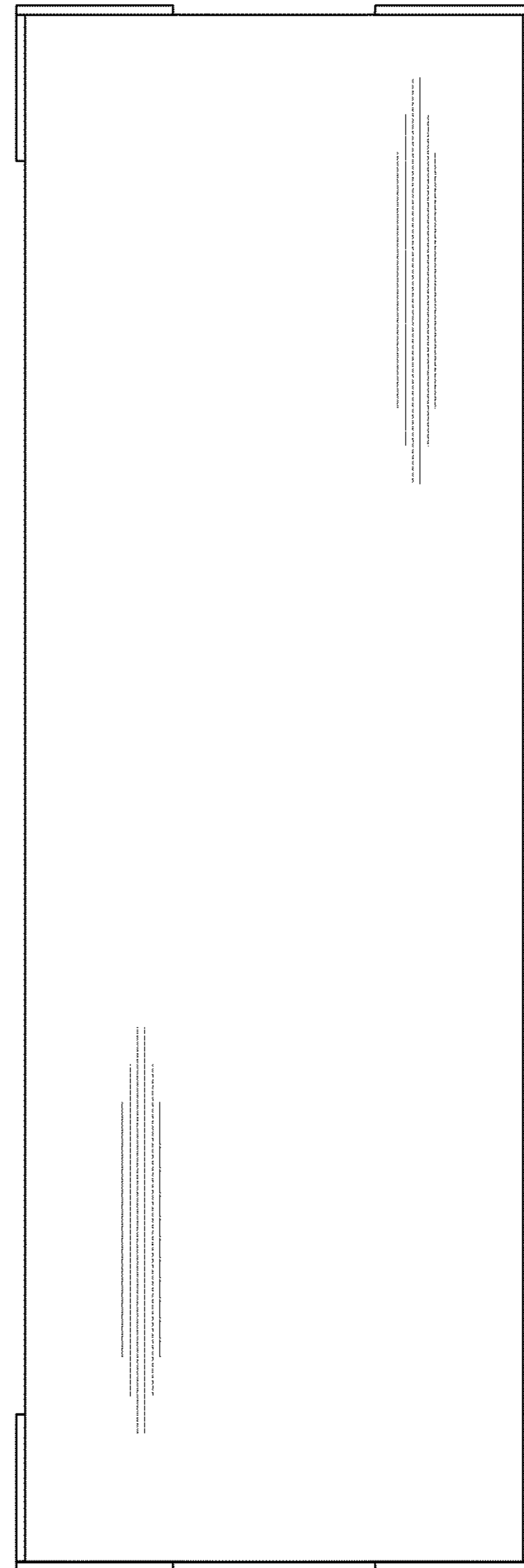


FIG. 5

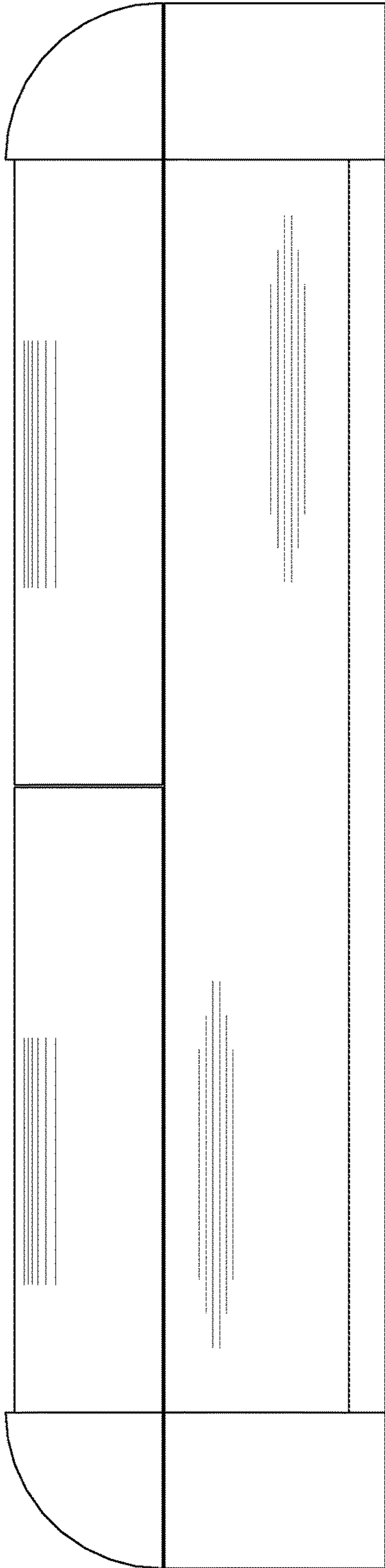


FIG. 6

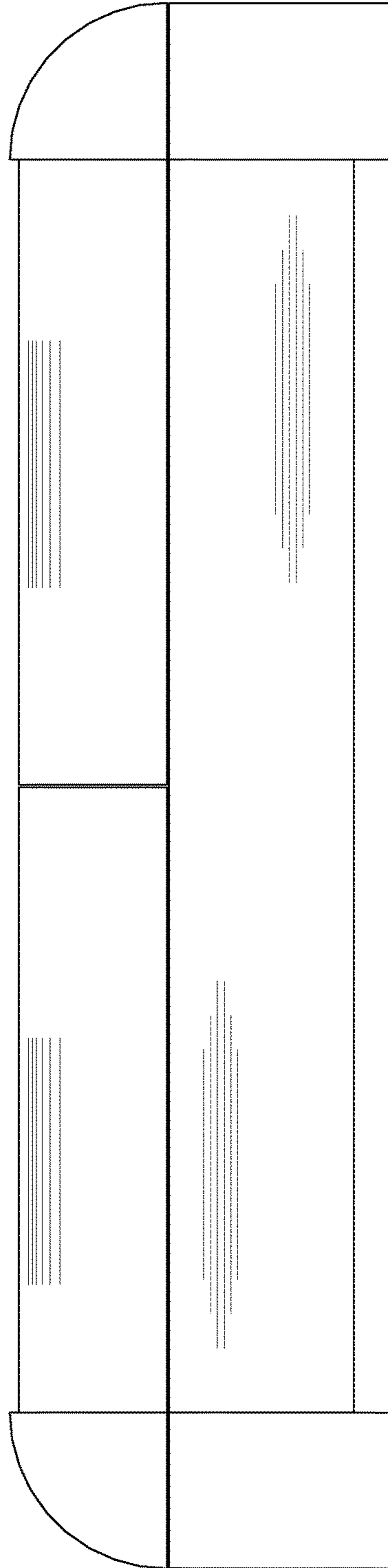


FIG. 7