



US00D821676S

(12) **United States Design Patent**
Katsuno et al.

(10) **Patent No.:** **US D821,676 S**
(45) **Date of Patent:** **** Jun. 26, 2018**

(54) **CRANE**

(71) Applicant: **MAEDA SEISAKUSHO CO., LTD.**,
Nagano (JP)

(72) Inventors: **Tomoyuki Katsuno**, Nagano (JP);
Ryosuke Nakamura, Nagano (JP);
Goki Nakazono, Nagano (JP); **Wataru**
Hisata, Nagano (JP)

(**) Term: **15 Years**

(21) Appl. No.: **35/501,082**

(22) Filed: **Dec. 11, 2015**

(80) **Hague Agreement Data**

Int. Filing Date: **Dec. 11, 2015**
Int. Reg. No.: **DM/089183**
Int. Reg. Date: **Dec. 11, 2015**
Int. Reg. Pub. Date: **Jun. 17, 2016**

(51) **LOC (11) Cl.** **12-05**

(52) **U.S. Cl.**
USPC **D34/33**
CPC **B66C 13/14** (2013.01)

(58) **Field of Classification Search**
USPC D34/28, 33; 212/276–277, 301–303, 223,
212/255, 271
CPC B66C 13/14; B66C 13/46; B66C 13/18;
B66C 13/16; B66C 13/06; B66C 13/22;
B66C 23/76
See application file for complete search history.

(56) **References Cited**

U.S. PATENT DOCUMENTS

2,035,044 A * 3/1936 Carle B66C 23/94
212/223
4,555,032 A * 11/1985 Mick B66C 23/74
180/116

D666,375 S * 8/2012 Bohnacker D34/33
D666,784 S * 9/2012 Bohnacker D34/33
D683,514 S * 5/2013 Guo D34/33
8,573,420 B2 * 11/2013 Noske B62D 55/084
180/41
D734,577 S * 7/2015 Ludescher D15/10
D737,538 S * 8/2015 Kameyama D34/33
D738,064 S * 9/2015 Ludescher D34/33
D783,220 S * 4/2017 Wedl D34/33
2012/0152878 A1 * 6/2012 Ishihara B66C 23/365
212/280
2012/0175333 A1 * 7/2012 Pech B66C 23/82
212/177
2016/0289047 A1 * 10/2016 Albinger B66C 13/16

* cited by examiner

Primary Examiner — Richard E Chilcot

(74) *Attorney, Agent, or Firm* — Buchanan Ingersoll &
Rooney PC

(57) **CLAIM**

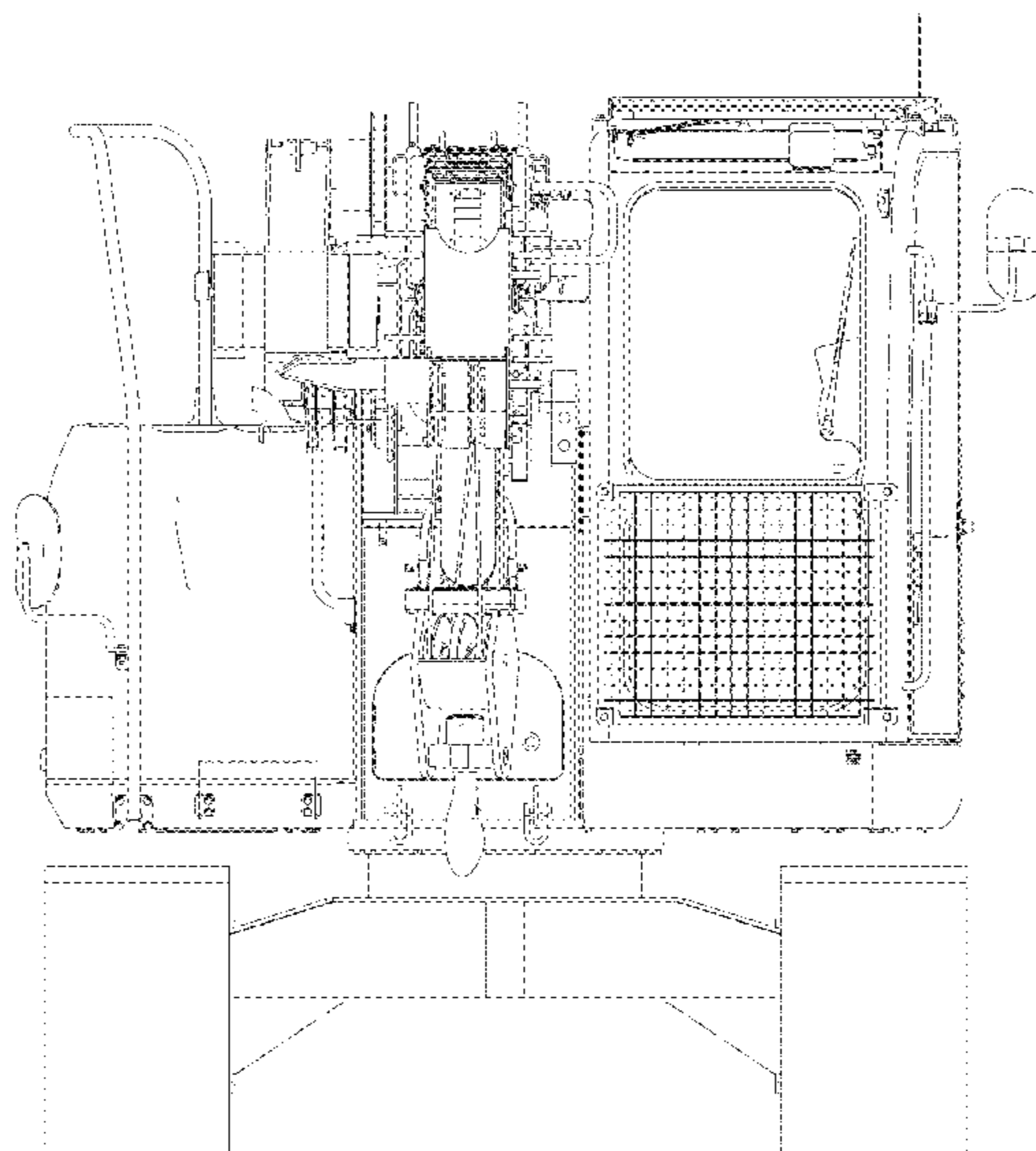
The ornamental design for a crane, as shown and described.

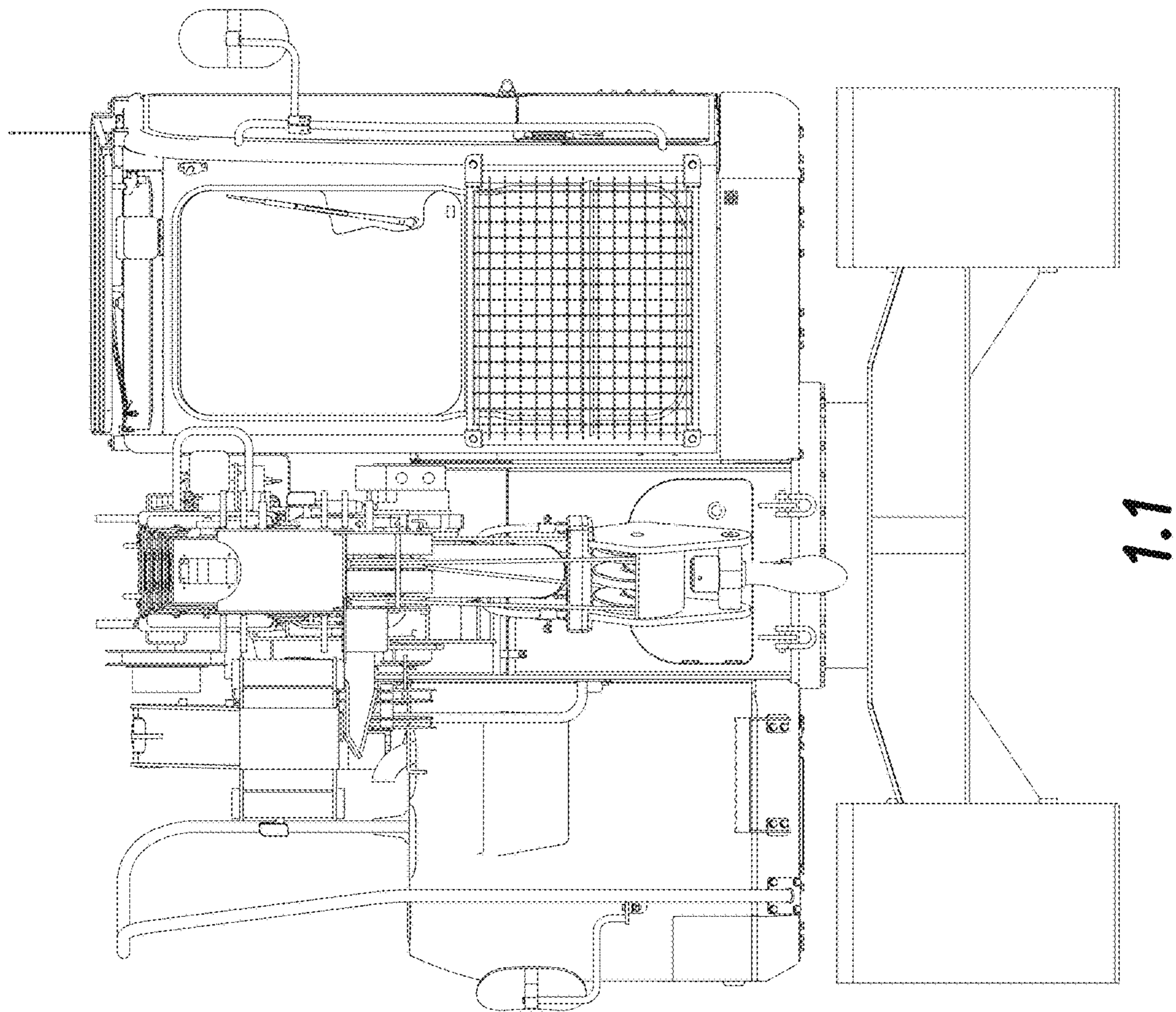
DESCRIPTION

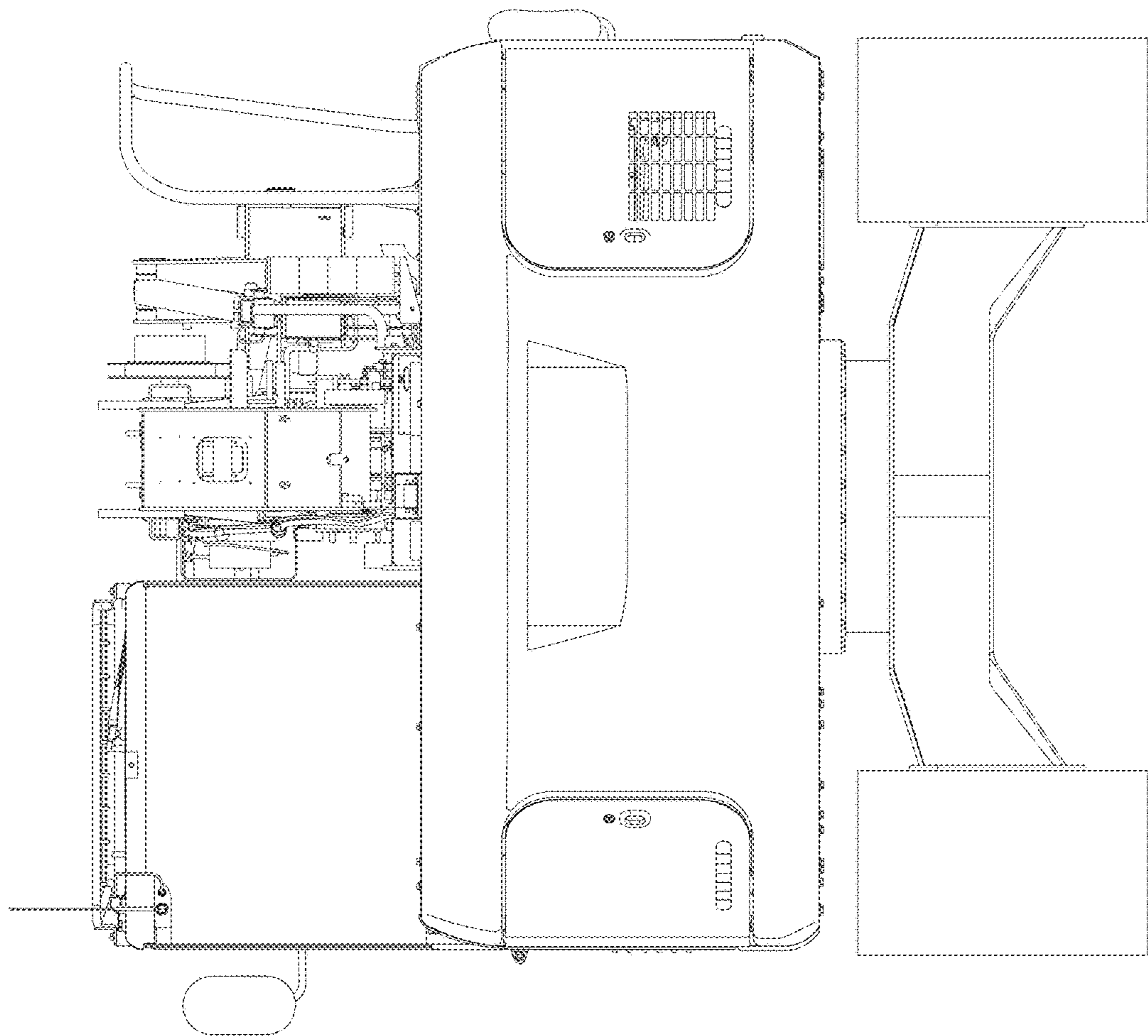
- 1. Crane
- 1.1 : Front
- 1.2 : Back
- 1.3 : Left
- 1.4 : Right
- 1.5 : Top

The broken line showing in the drawings is for environmen-
tal purposes only and forms no part of the claimed design.

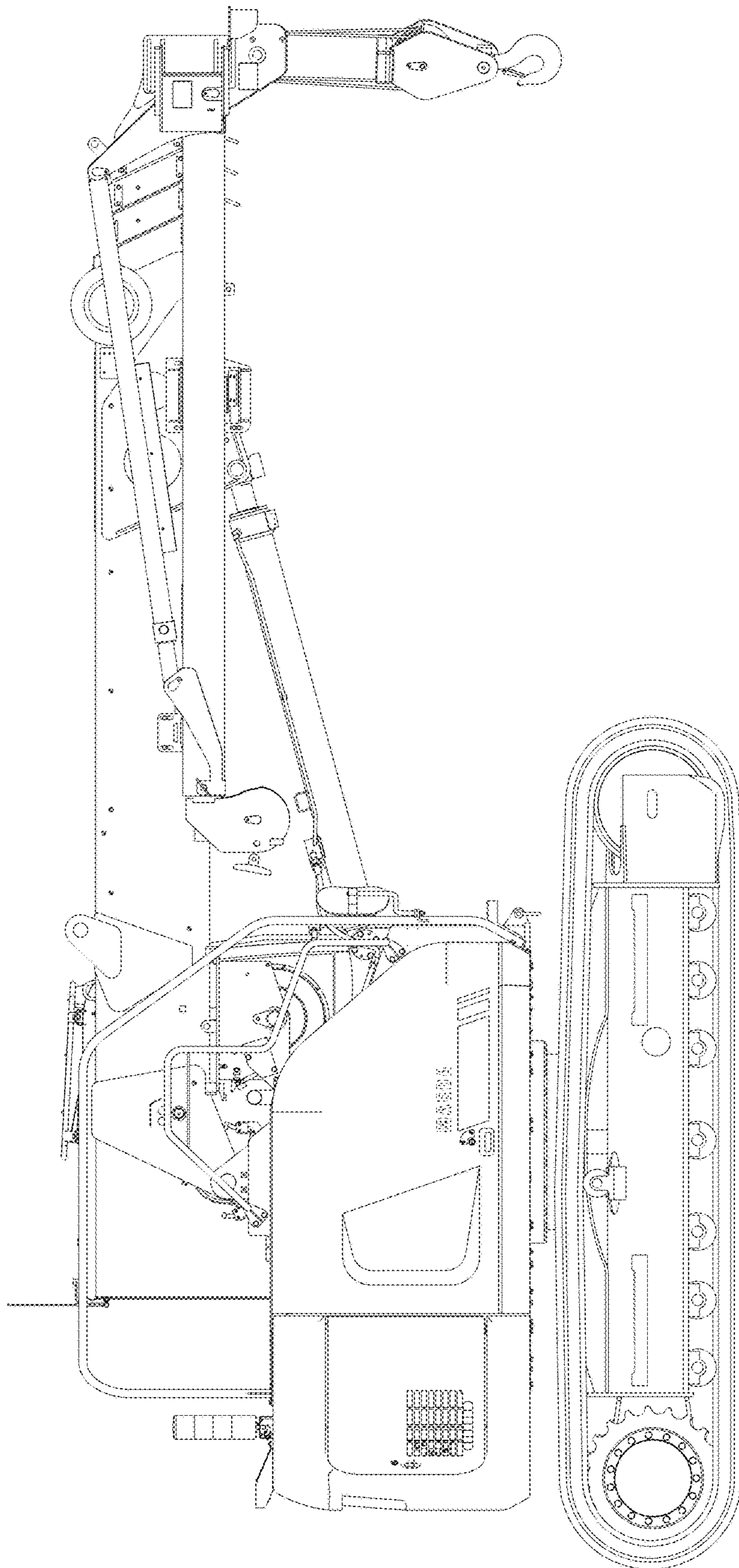
1 Claim, 5 Drawing Sheets



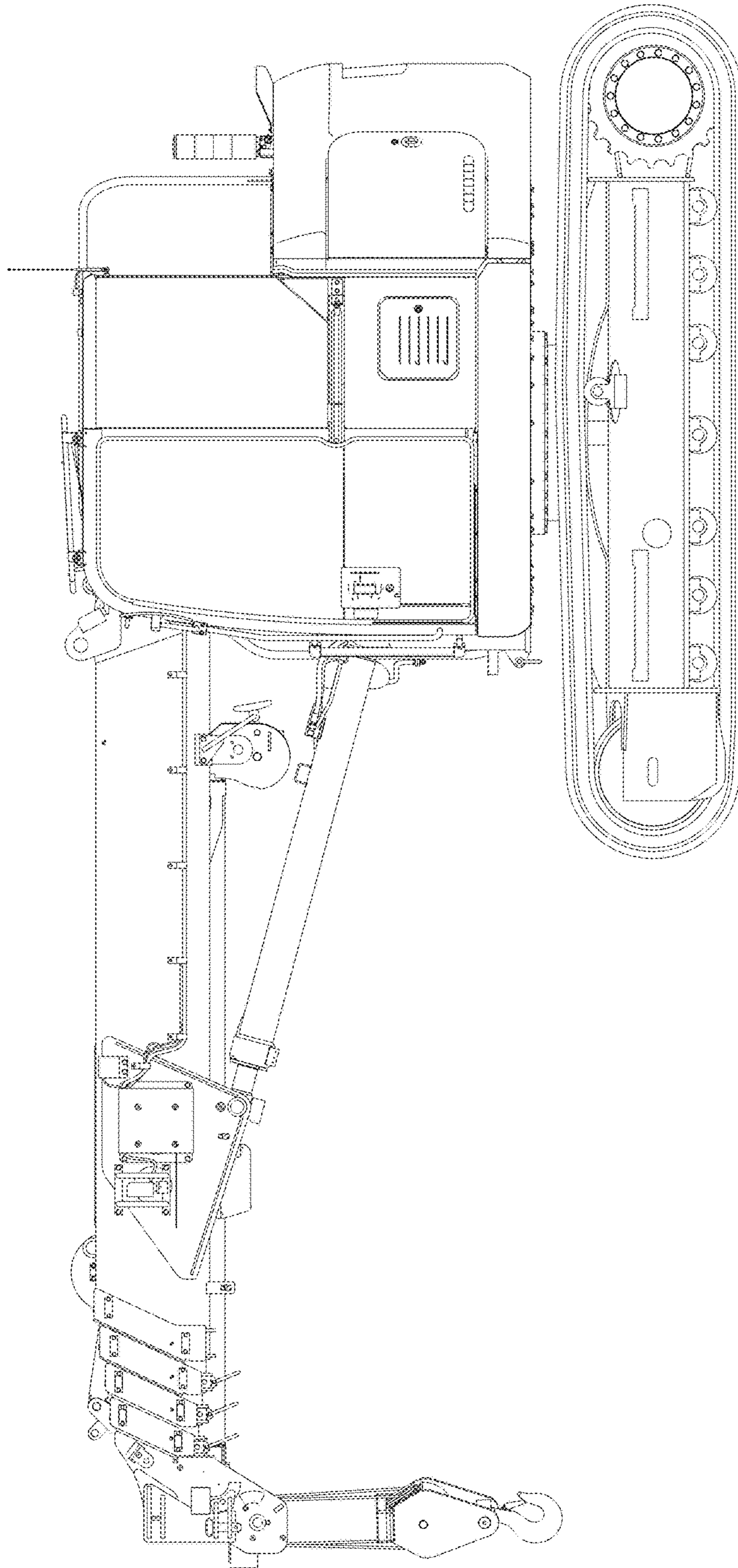




1.2



1.3



1.4

