



US00D821673S

(12) **United States Design Patent**
Bock et al.

(10) **Patent No.:** **US D821,673 S**
(45) **Date of Patent:** **** Jun. 26, 2018**

- (54) **IRON**
- (71) Applicant: **Hamilton Beach Brands, Inc.**, Glen Allen, VA (US)
- (72) Inventors: **Brian Bock**, Midlothian, VA (US);
Mark Steiner, Midlothian, VA (US)
- (73) Assignee: **Hamilton Beach Brands, Inc.**, Glen Allen, VA (US)
- (**) Term: **15 Years**

7,552,552	B1	6/2009	Garman et al.	
D642,762	S *	8/2011	Ågren	D32/70
D646,863	S *	10/2011	Hosoda	D32/70
D676,210	S *	2/2013	Sirard	D32/70
8,539,700	B2	9/2013	Saba	
D708,409	S *	7/2014	Renault	D32/70
D712,109	S *	8/2014	Day	D32/70
D715,012	S *	10/2014	Ringholm	D32/70
D718,512	S *	11/2014	Whitney	D32/70
D734,582	S *	7/2015	Umeda	D32/70
D739,108	S *	9/2015	Orthey	D32/70
D773,144	S *	11/2016	Tan	D32/70
D800,984	S *	10/2017	Muller	D32/70
2010/0307034	A1 *	12/2010	Knott	D06F 75/22 38/77.5

- (21) Appl. No.: **29/597,455**
- (22) Filed: **Mar. 17, 2017**
- (51) **LOC (11) Cl.** **07-05**
- (52) **U.S. Cl.**
USPC **D32/70**
- (58) **Field of Classification Search**
USPC D32/70, 71, 73, 72, 69, 68, 35; D8/71,
D8/373, 349, 396, 30; D15/144, 144.2;
D28/73; 219/231, 242, 229; 165/80.1;
126/414
CPC D06F 75/34; D06F 75/08; D06F 75/38;
D06F 75/00; F22B 27/14; B08B 3/006
See application file for complete search history.

* cited by examiner

Primary Examiner — Austin Murphy
(74) *Attorney, Agent, or Firm* — Alexander D. Raring

(57) **CLAIM**

The ornamental design for an iron, as shown and described.

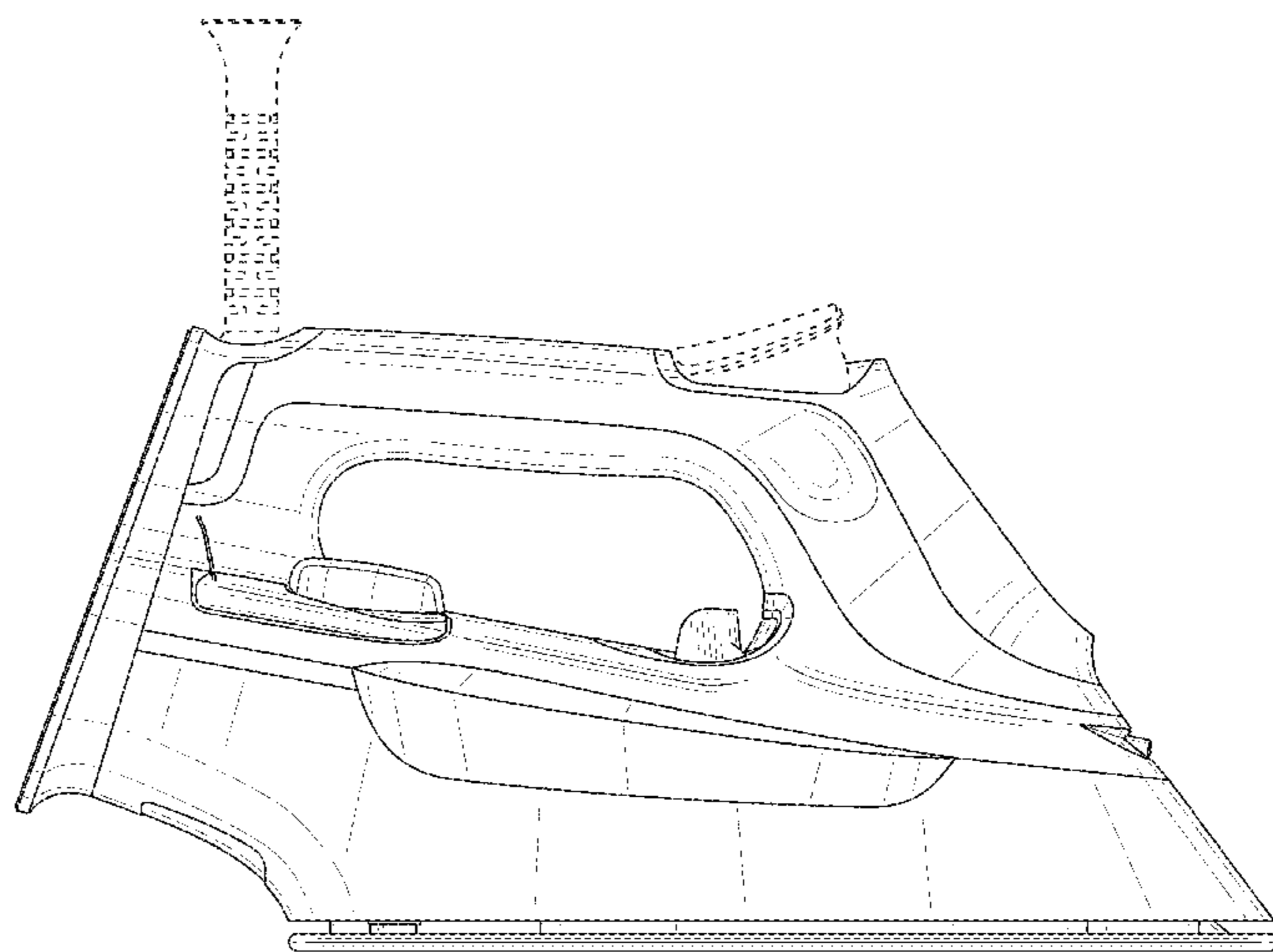
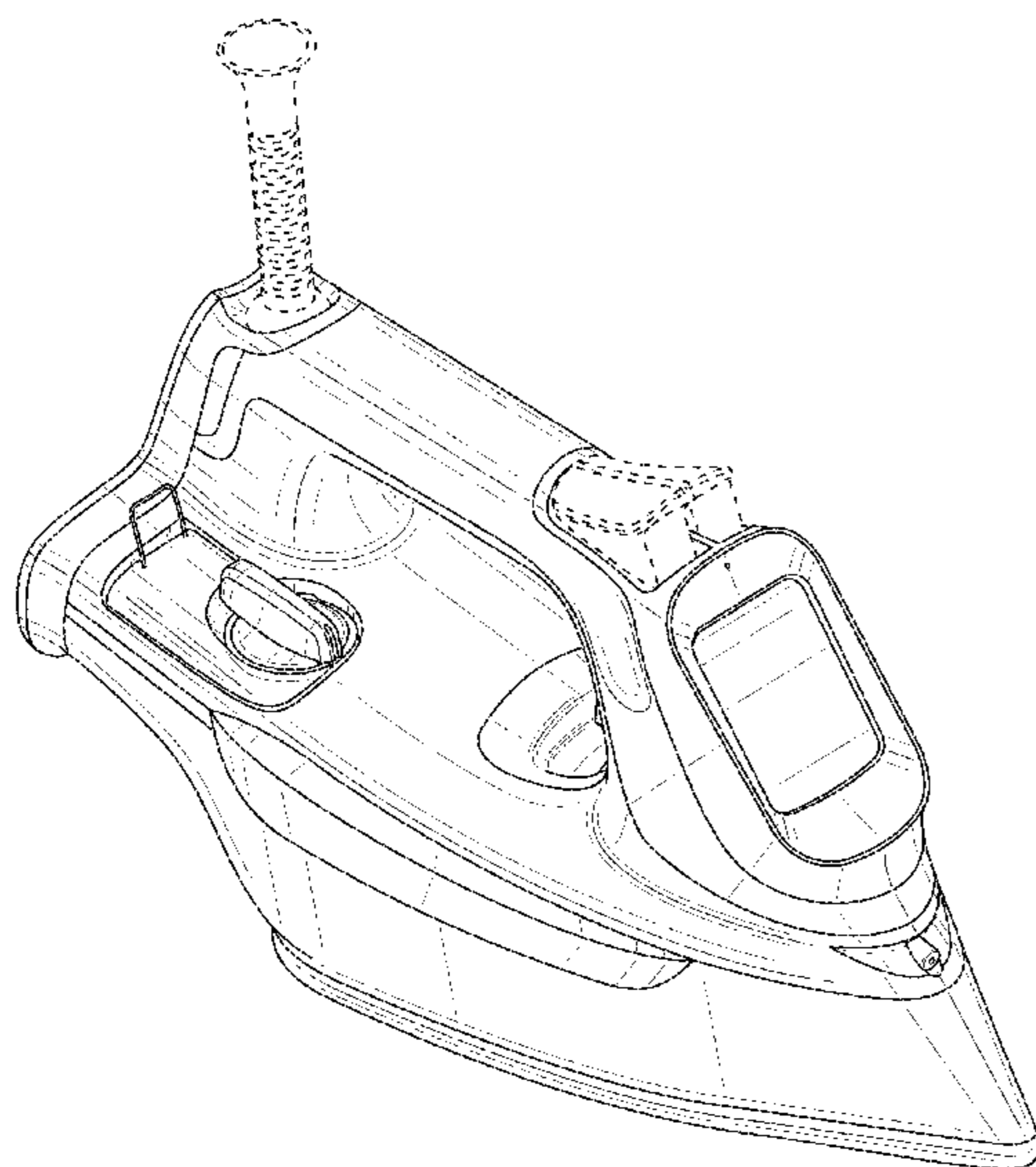
DESCRIPTION

FIG. 1 is a perspective view as seen from the top, front and left side of an iron showing the new design;
FIG. 2 is a front view thereof;
FIG. 3 is a rear view thereof;
FIG. 4 is a left side view thereof;
FIG. 5 is a right side view thereof;
FIG. 6 is a top view thereof; and,
FIG. 7 is a bottom view thereof.

The broken lines in the drawings are included for illustrative purposes only and form no part of the claimed design.

1 Claim, 7 Drawing Sheets

- (56) **References Cited**
U.S. PATENT DOCUMENTS
D402,779 S * 12/1998 Gudfin D32/70
6,243,976 B1 6/2001 Beverly et al.
6,807,755 B2 10/2004 Bontems et al.
7,546,701 B2 6/2009 Alipour



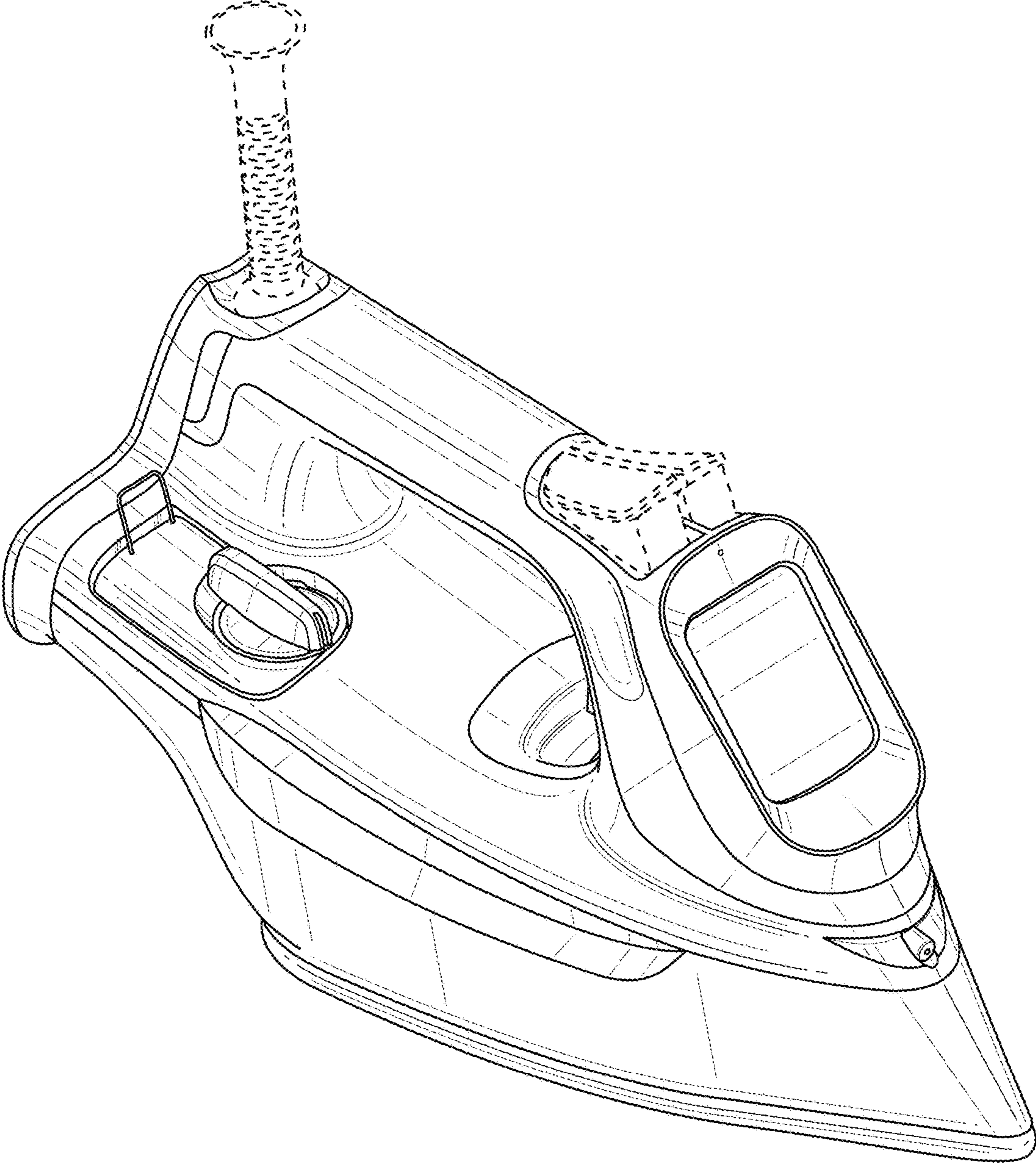


FIG. 1

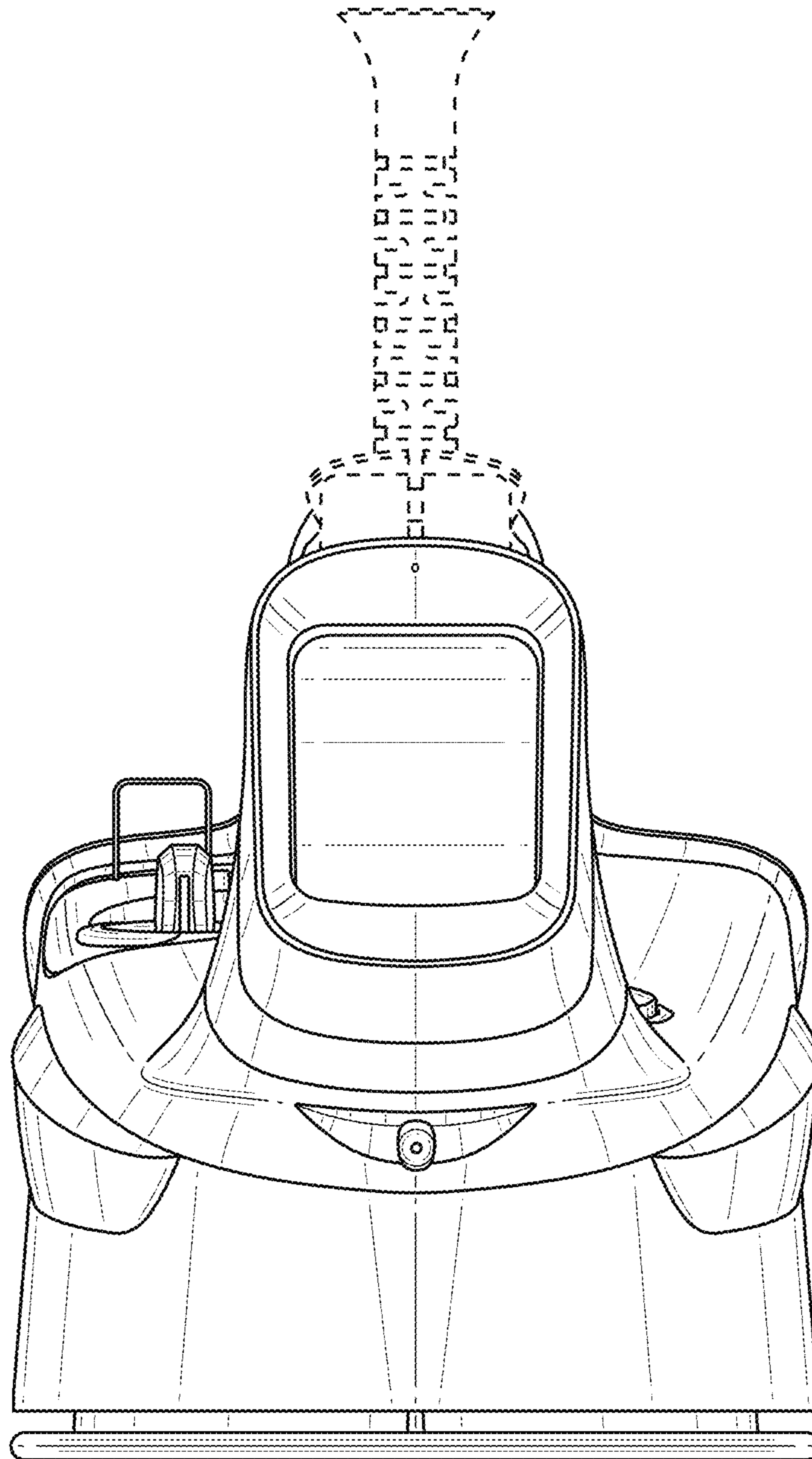


FIG. 2

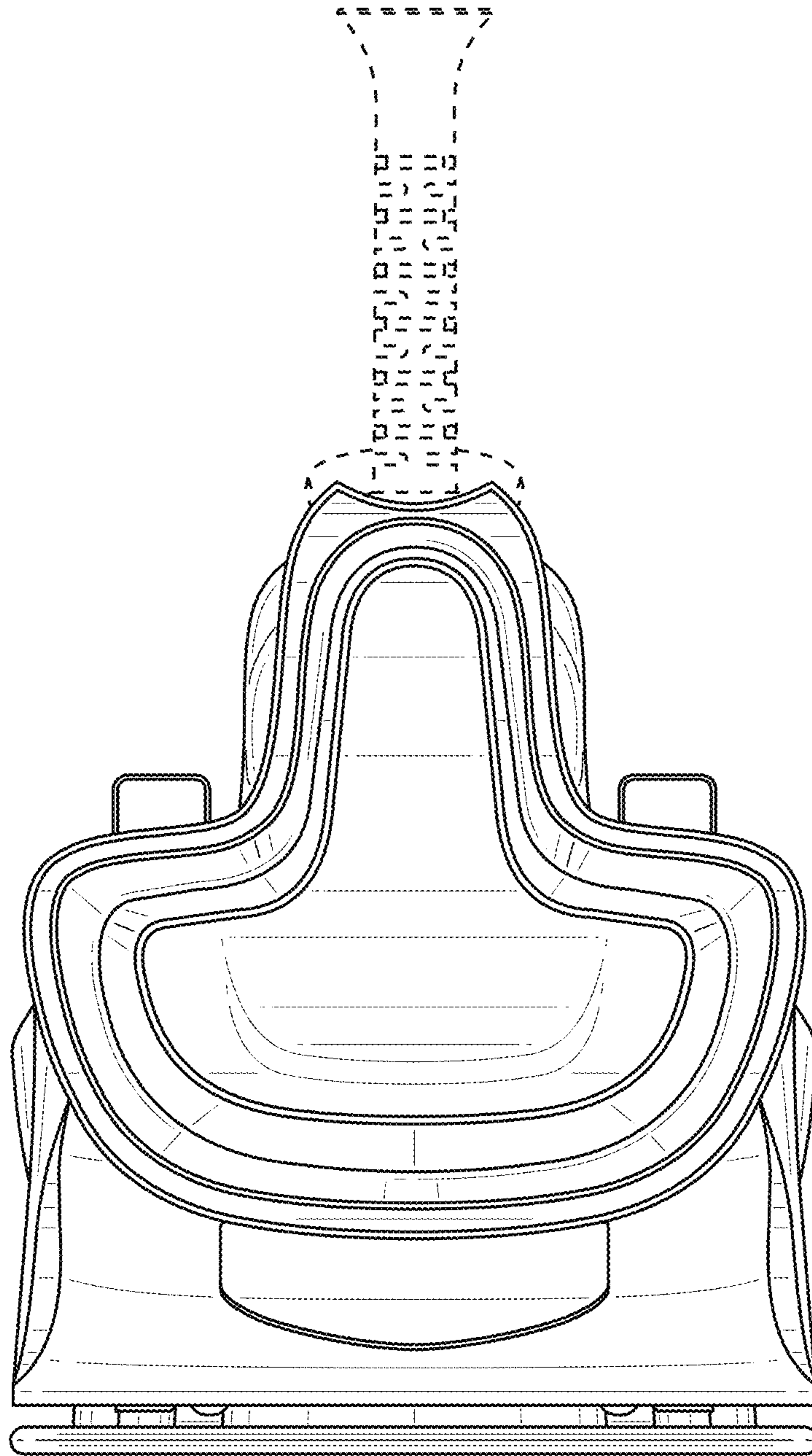


FIG. 3

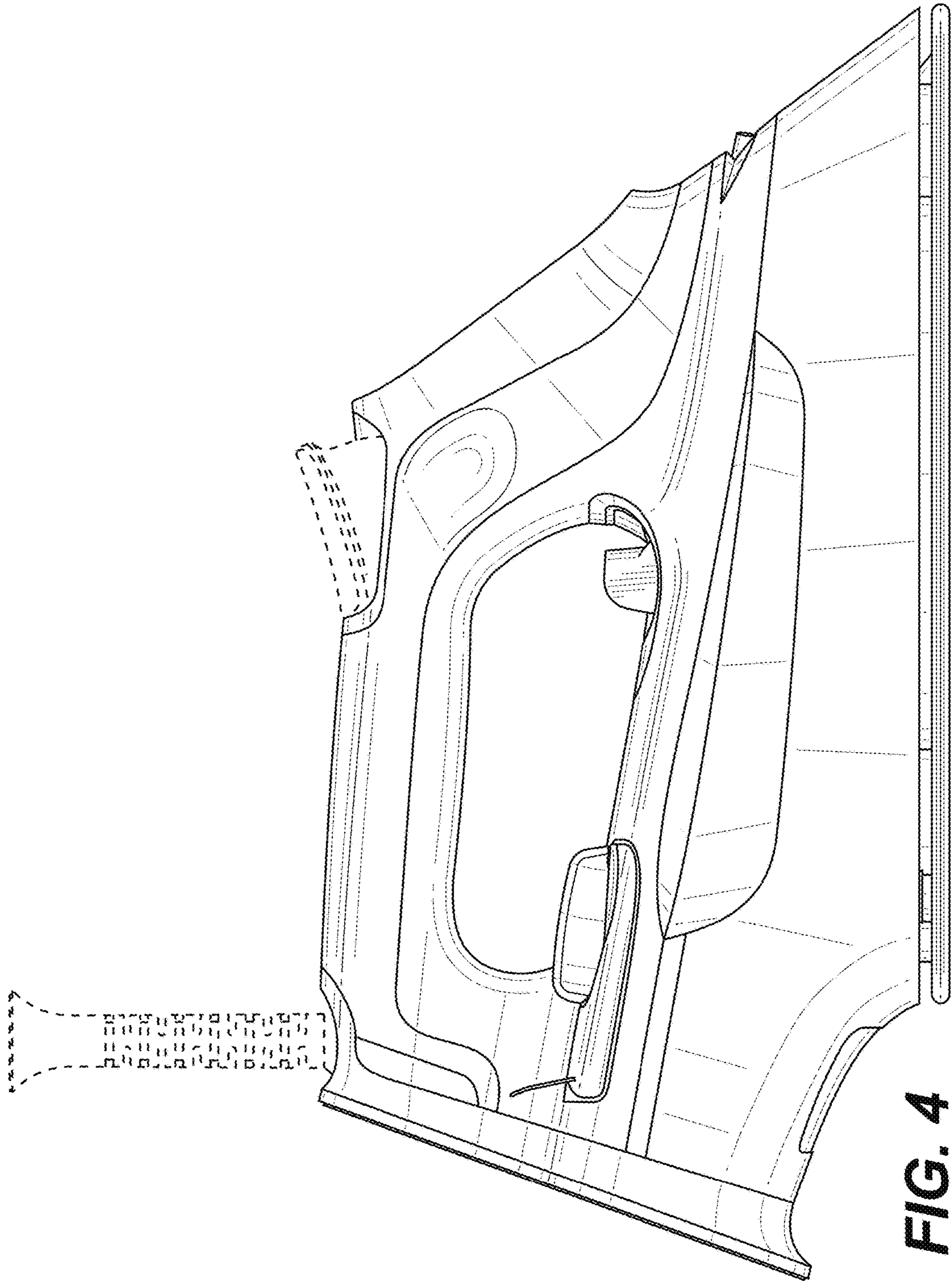
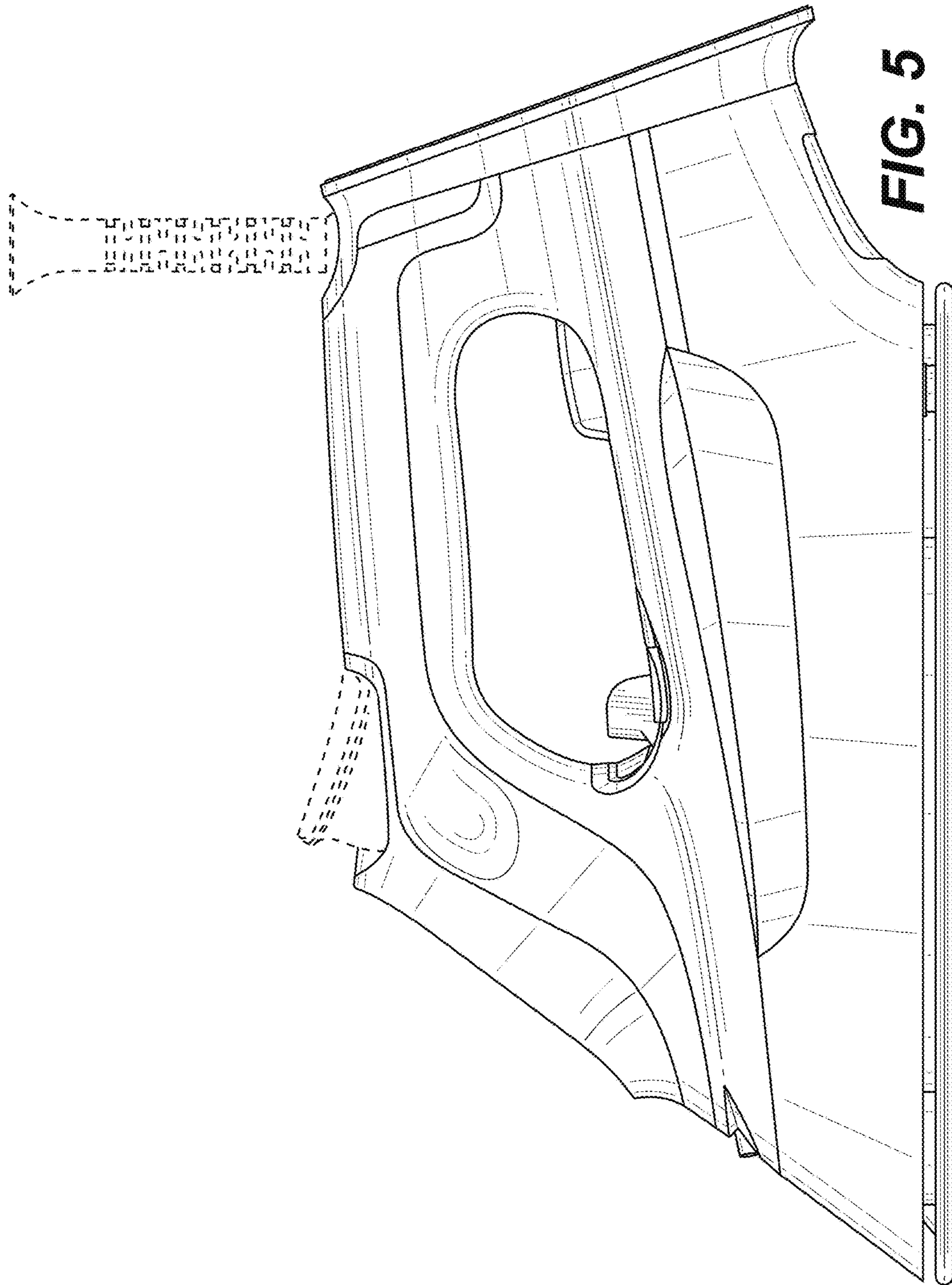


FIG. 4



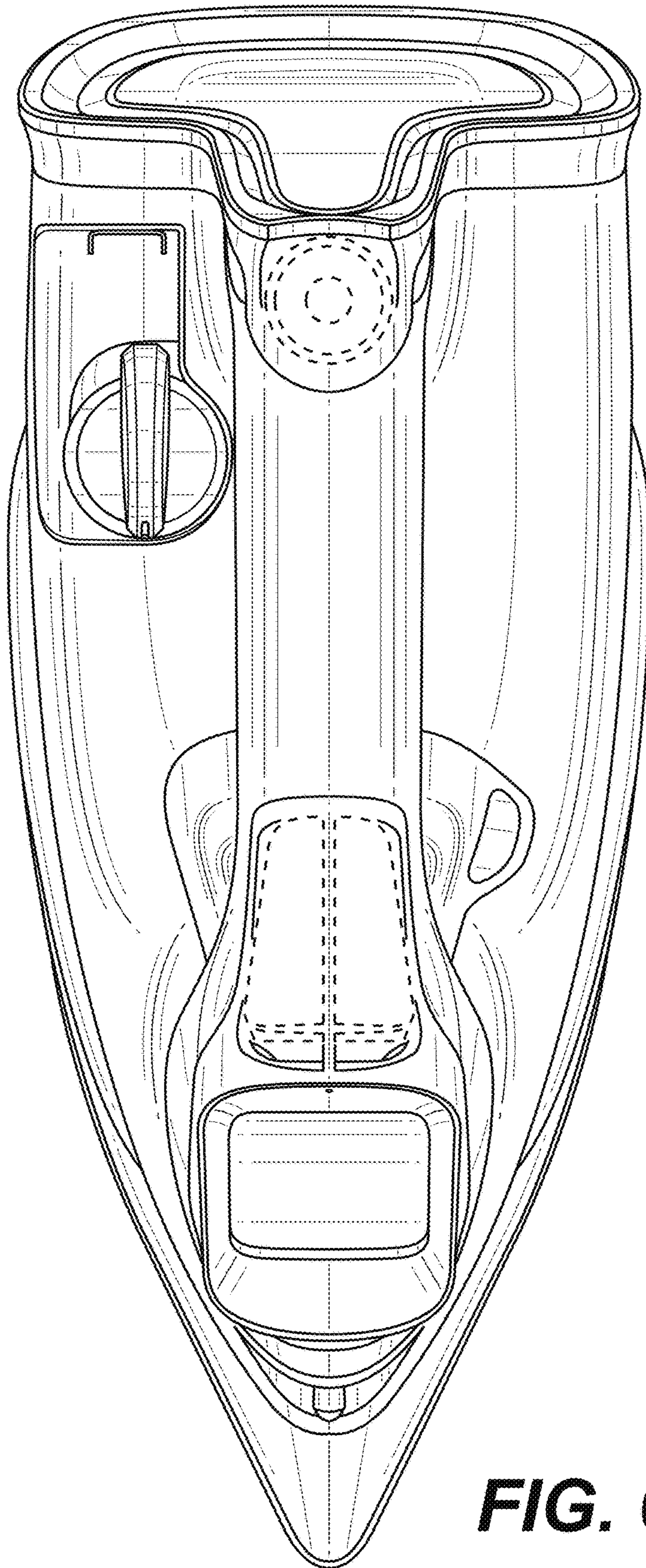


FIG. 6

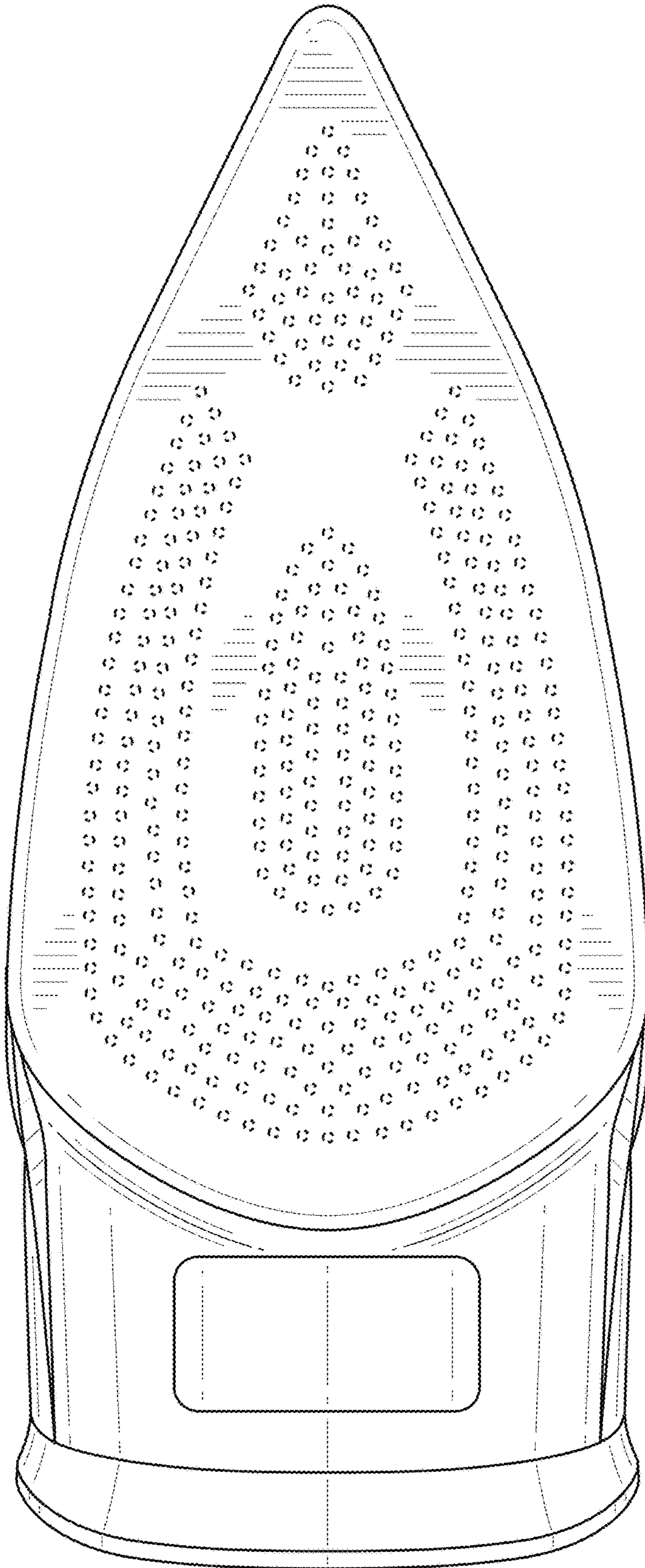


FIG. 7