



US00D821672S

(12) **United States Design Patent**  
**Steiner et al.**

(10) **Patent No.:** **US D821,672 S**  
(45) **Date of Patent:** **\*\* Jun. 26, 2018**

(54) **IRON**

(71) Applicant: **Hamilton Beach Brands, Inc.**, Glen Allen, VA (US)

(72) Inventors: **Mark Steiner**, Midlothian, VA (US);  
**Brian Bock**, Midlothian, VA (US)

(73) Assignee: **Hamilton Beach Brands, Inc.**, Glen Allen, VA (US)

(\*\*) Term: **15 Years**

(21) Appl. No.: **29/597,454**

(22) Filed: **Mar. 17, 2017**

(51) **LOC (11) Cl.** ..... **07-05**

(52) **U.S. Cl.**  
USPC ..... **D32/70**

(58) **Field of Classification Search**  
USPC ..... D32/70, 71, 73, 72, 69, 68, 35; D8/373,  
D8/349, 396, 30; D15/144, 144.2;  
D28/73; 219/231, 242, 229; 165/80.1;  
126/414  
CPC ..... D06F 75/34; D06F 75/08; D06F 75/38;  
D06F 75/00; F22B 27/14; B08B 3/006  
See application file for complete search history.

(56) **References Cited**

**U.S. PATENT DOCUMENTS**

D402,779 S \* 12/1998 Gudfin ..... D32/70  
D642,762 S \* 8/2011 Ågren ..... D32/70

D646,863 S \* 10/2011 Hosoda ..... D32/70  
D676,210 S \* 2/2013 Sirard ..... D32/70  
D708,409 S \* 7/2014 Renault ..... D32/70  
D712,109 S \* 8/2014 Day ..... D32/70  
D715,012 S \* 10/2014 Ringholm ..... D32/70  
D718,512 S \* 11/2014 Whitney ..... D32/70  
D734,582 S \* 7/2015 Umeda ..... D32/70  
D739,108 S \* 9/2015 Orthey ..... D32/70  
D773,144 S \* 11/2016 Tan ..... D32/70  
D800,984 S \* 10/2017 Muller ..... D32/70  
2010/0307034 A1 \* 12/2010 Knott ..... D06F 75/22  
38/77.5

\* cited by examiner

*Primary Examiner* — Austin Murphy

(74) *Attorney, Agent, or Firm* — Alexander D. Raring

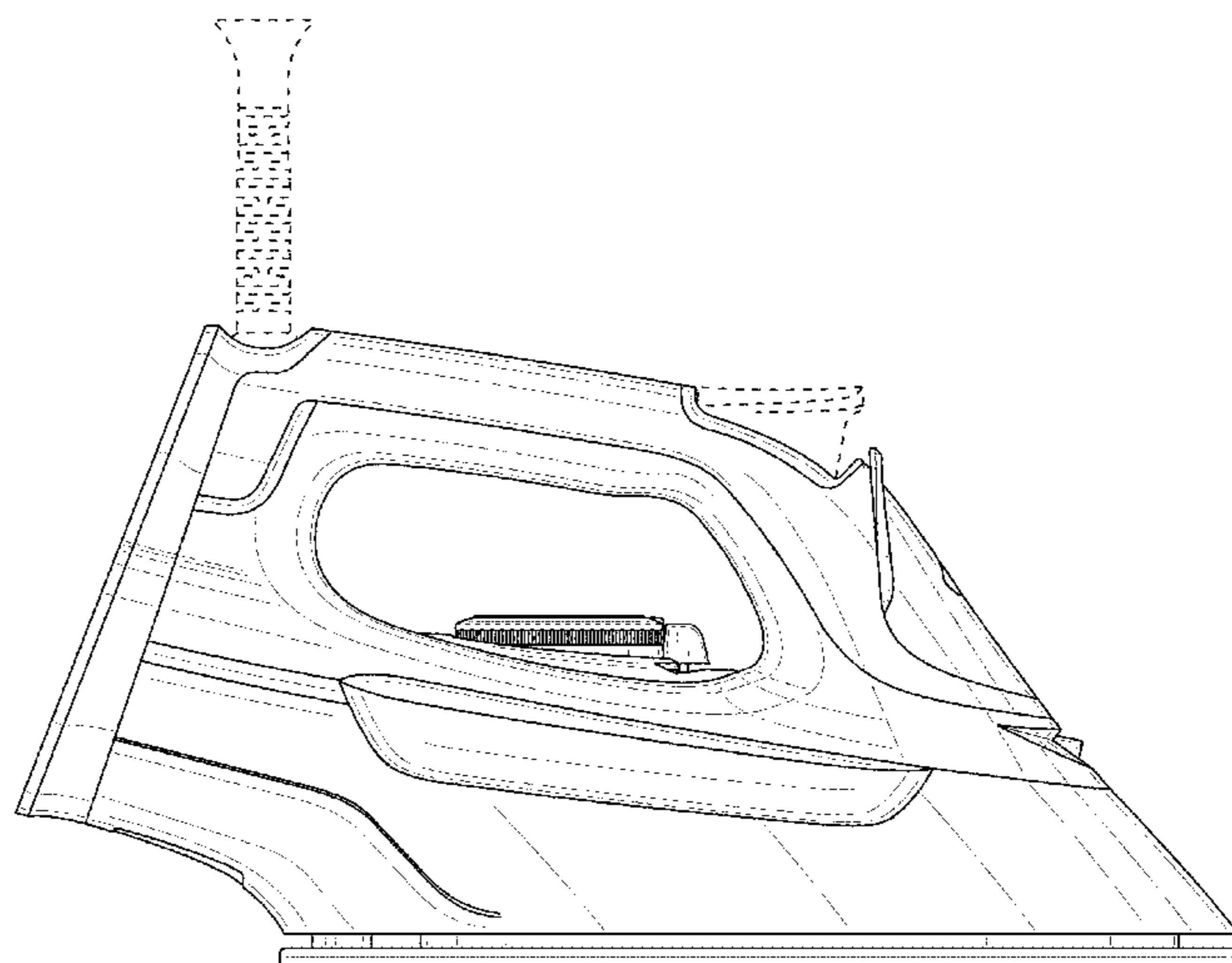
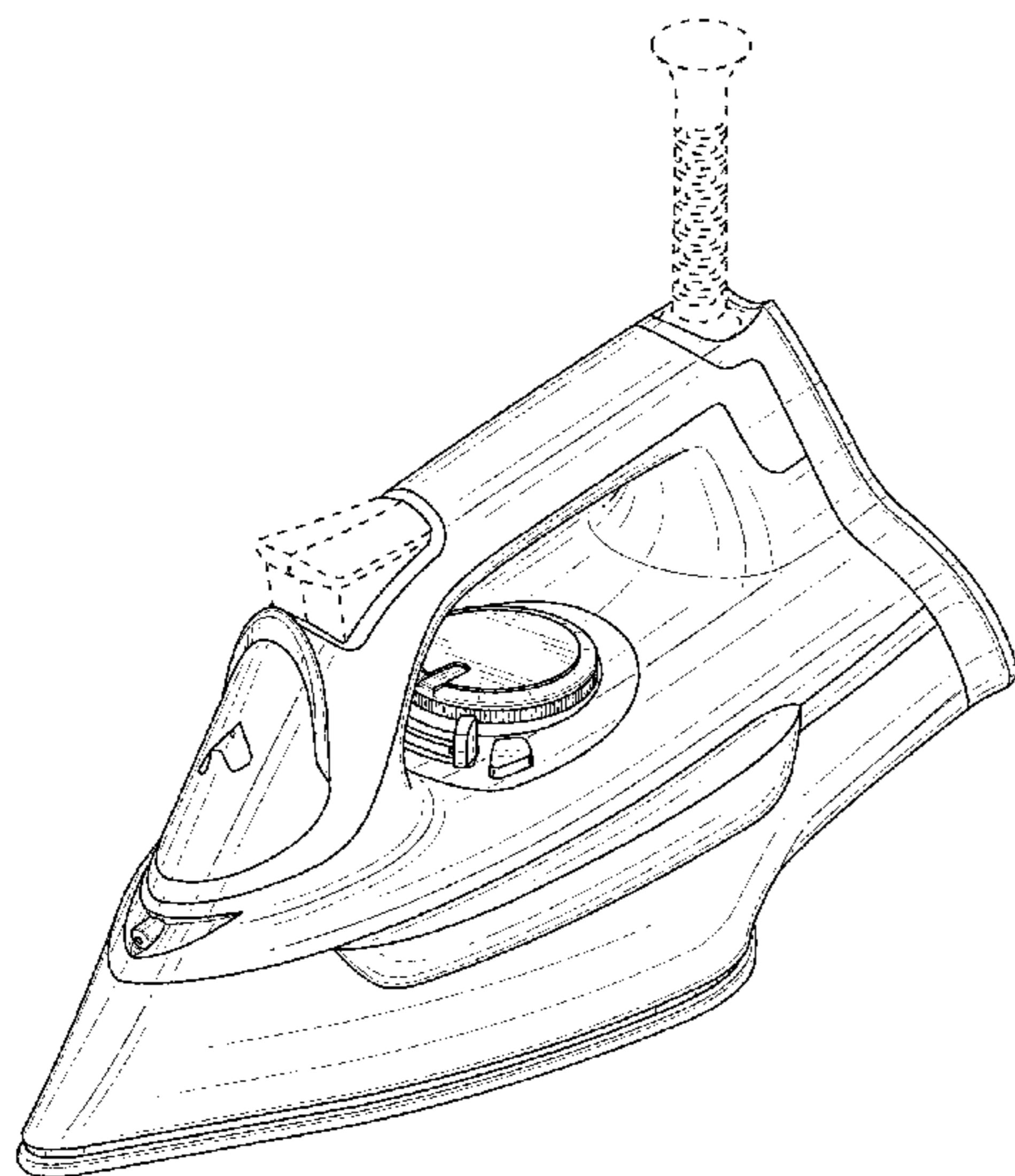
(57) **CLAIM**

The ornamental design for an iron, as shown and described.

**DESCRIPTION**

FIG. 1 is a perspective view as seen from the top, front and right side of an iron showing the new design;  
FIG. 2 is a front view thereof;  
FIG. 3 is a rear view thereof;  
FIG. 4 is a left side view thereof;  
FIG. 5 is a right side view thereof;  
FIG. 6 is a top view thereof; and,  
FIG. 7 is a bottom view thereof.  
The broken lines in the drawings are included for illustrative purposes only and form no part of the claimed design.

**1 Claim, 7 Drawing Sheets**



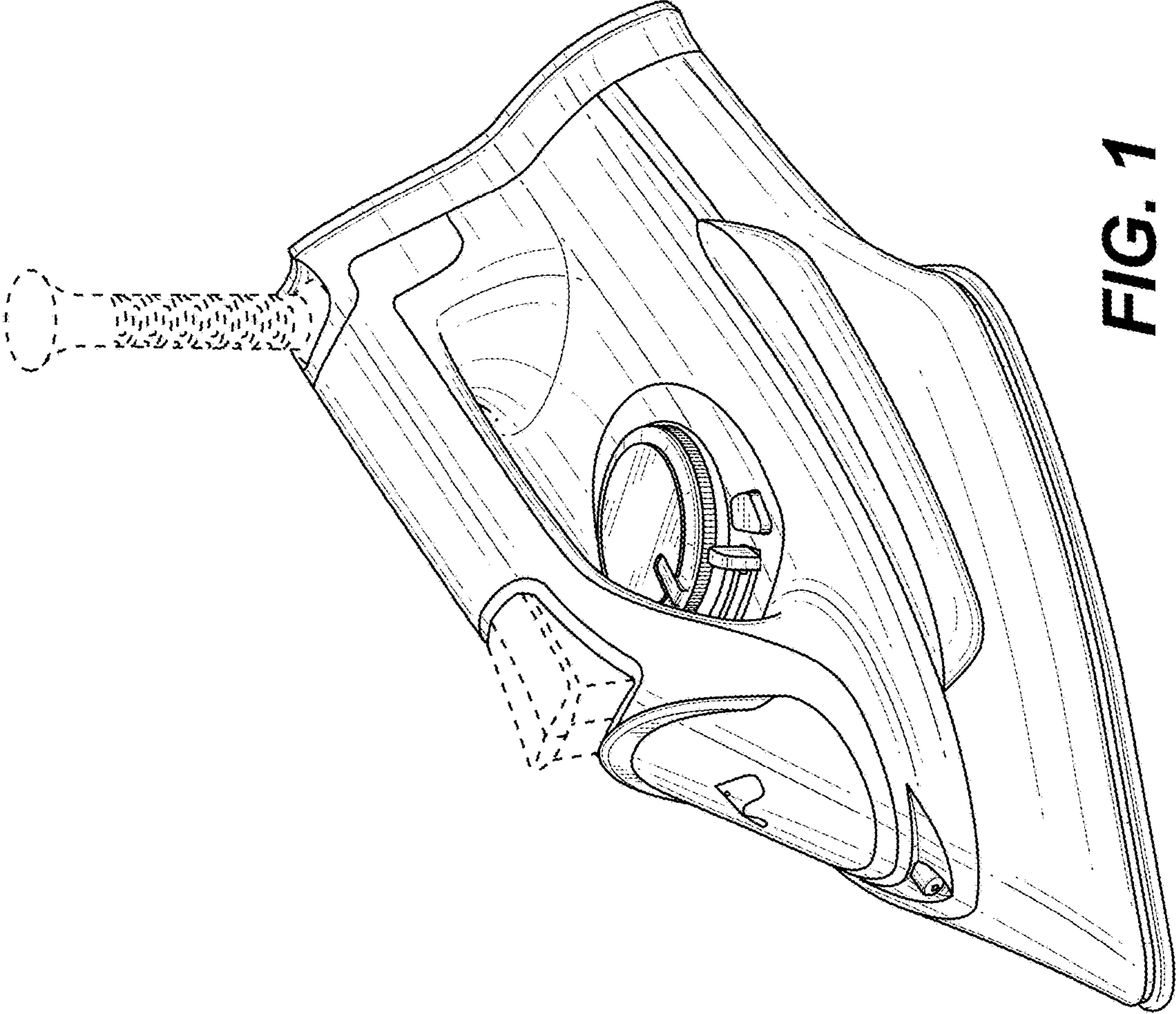
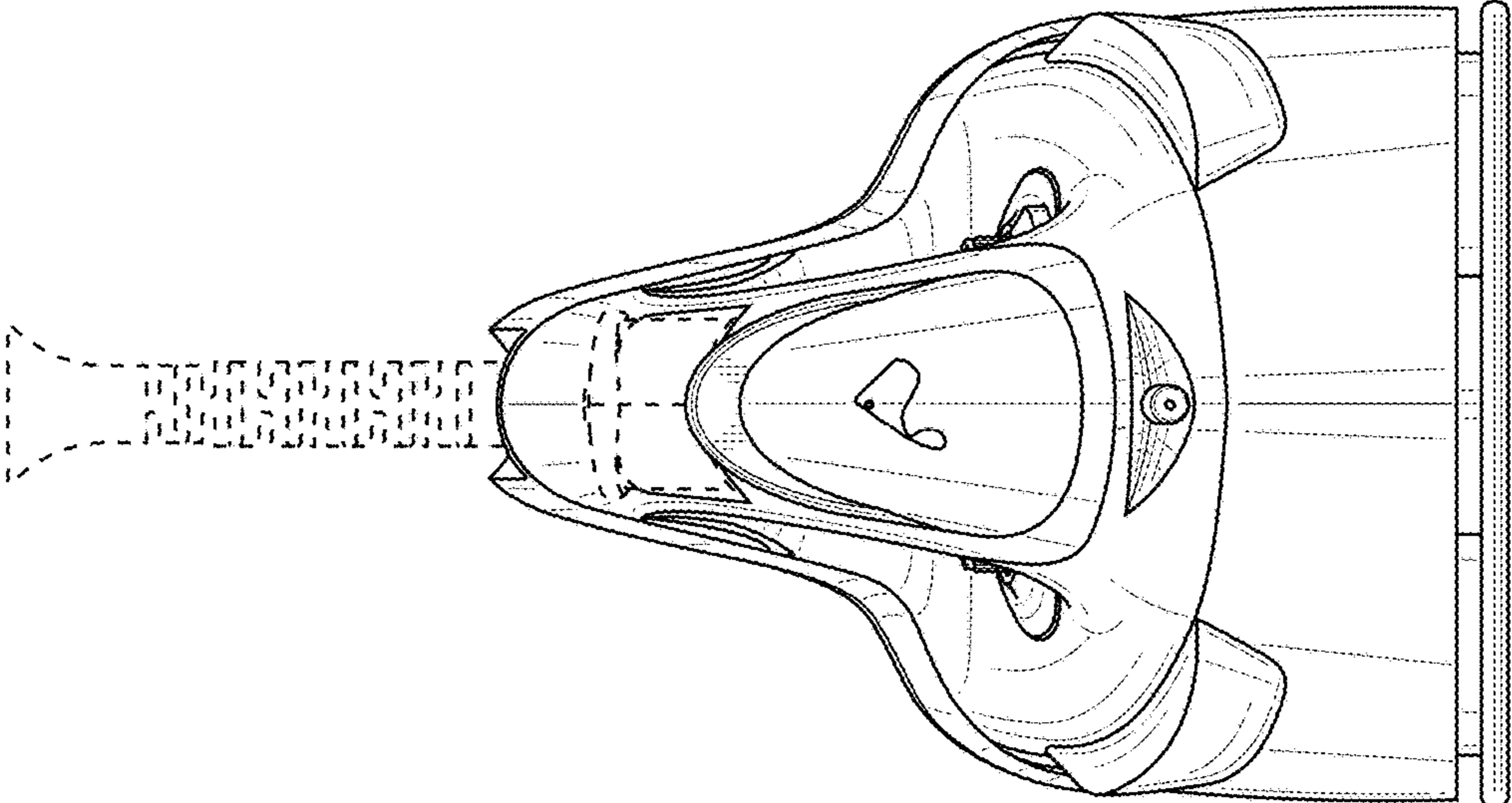
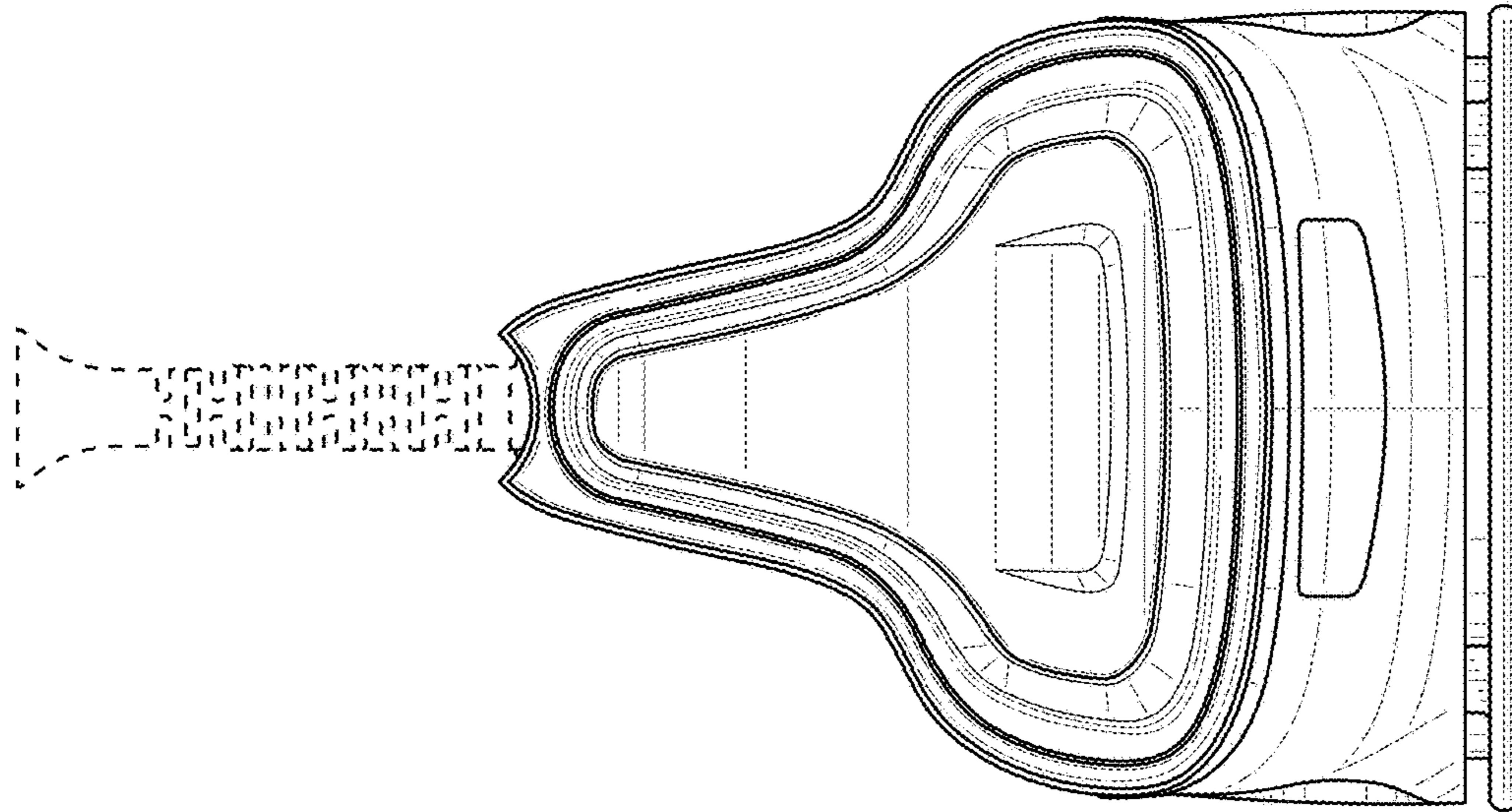


FIG. 1

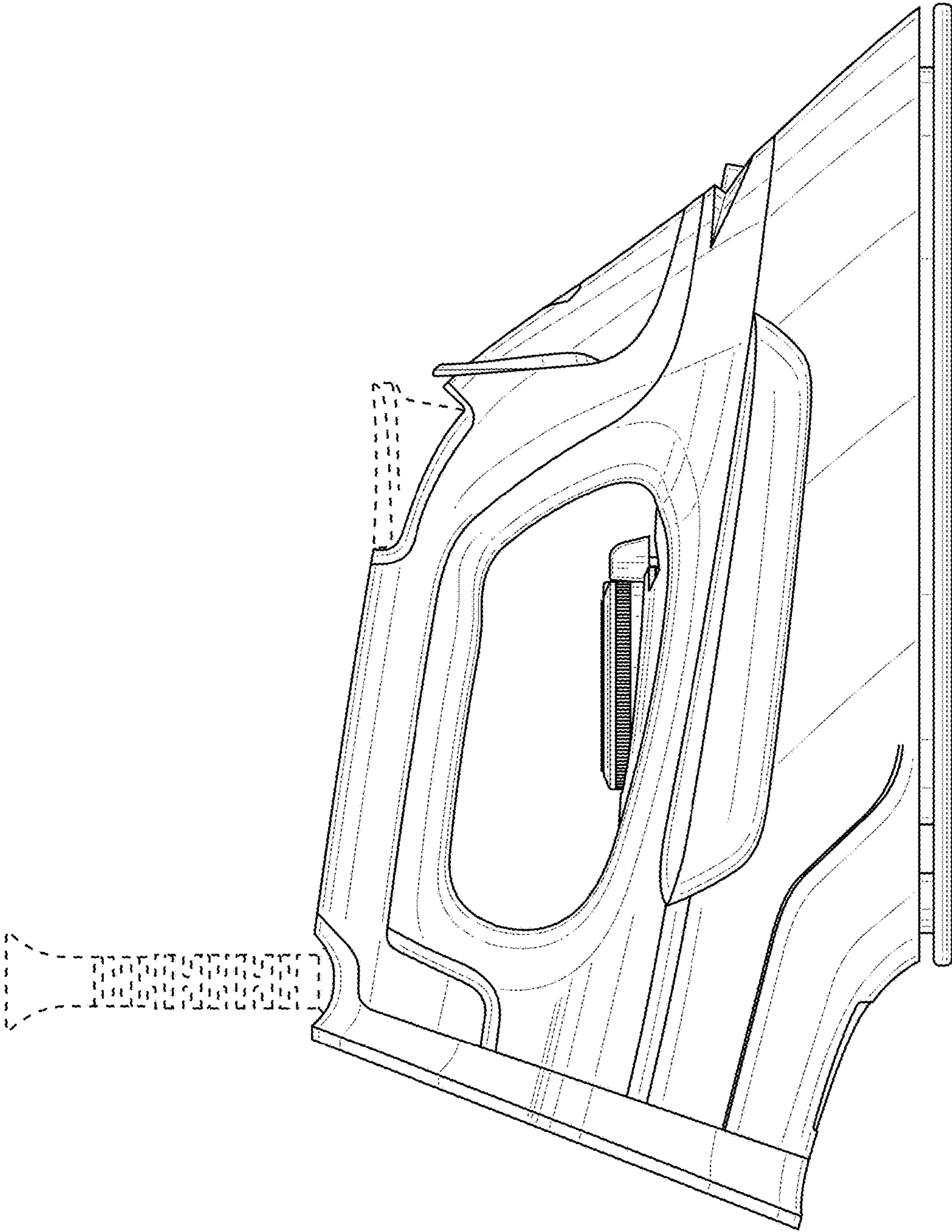


**FIG. 2**

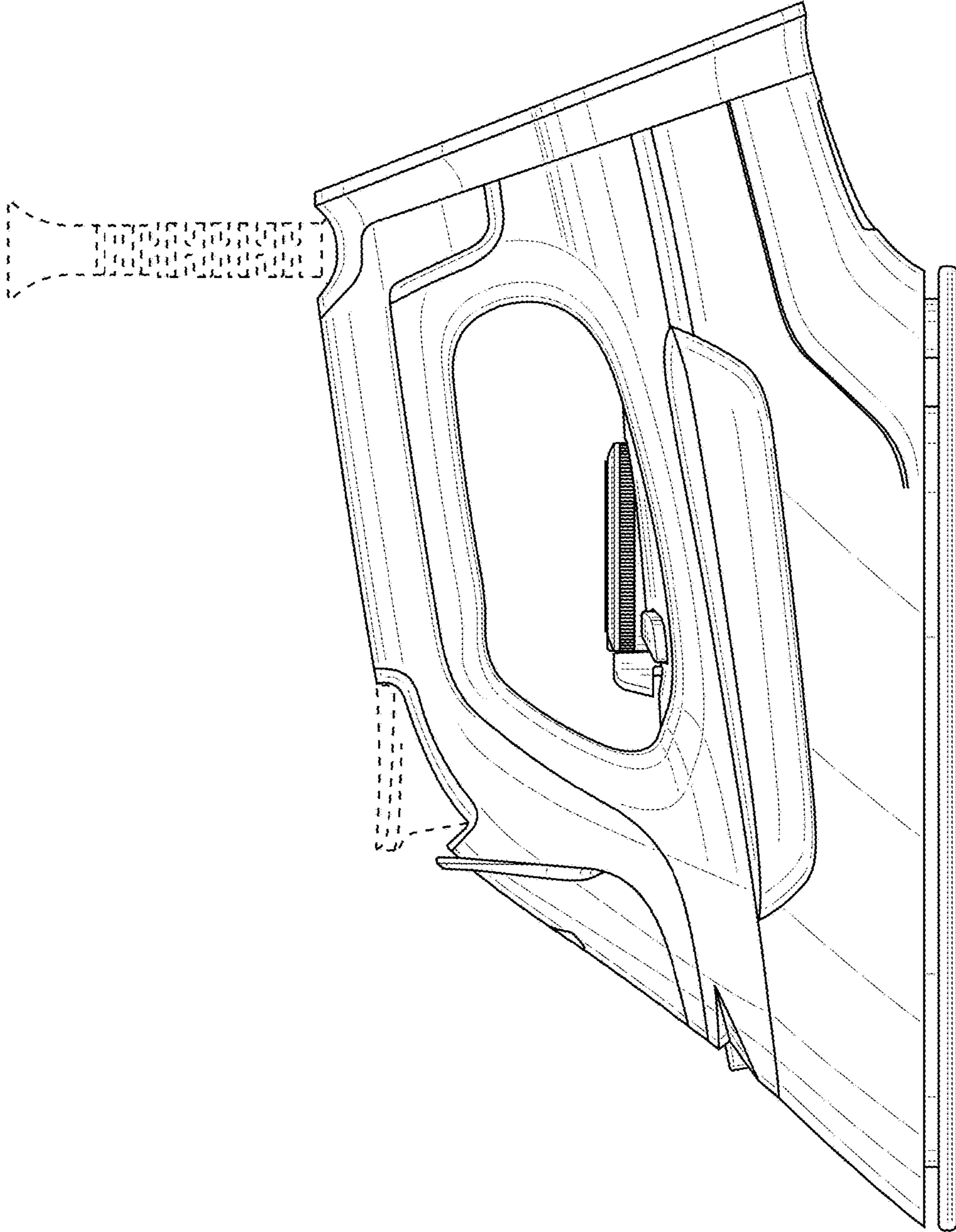


**FIG. 3**

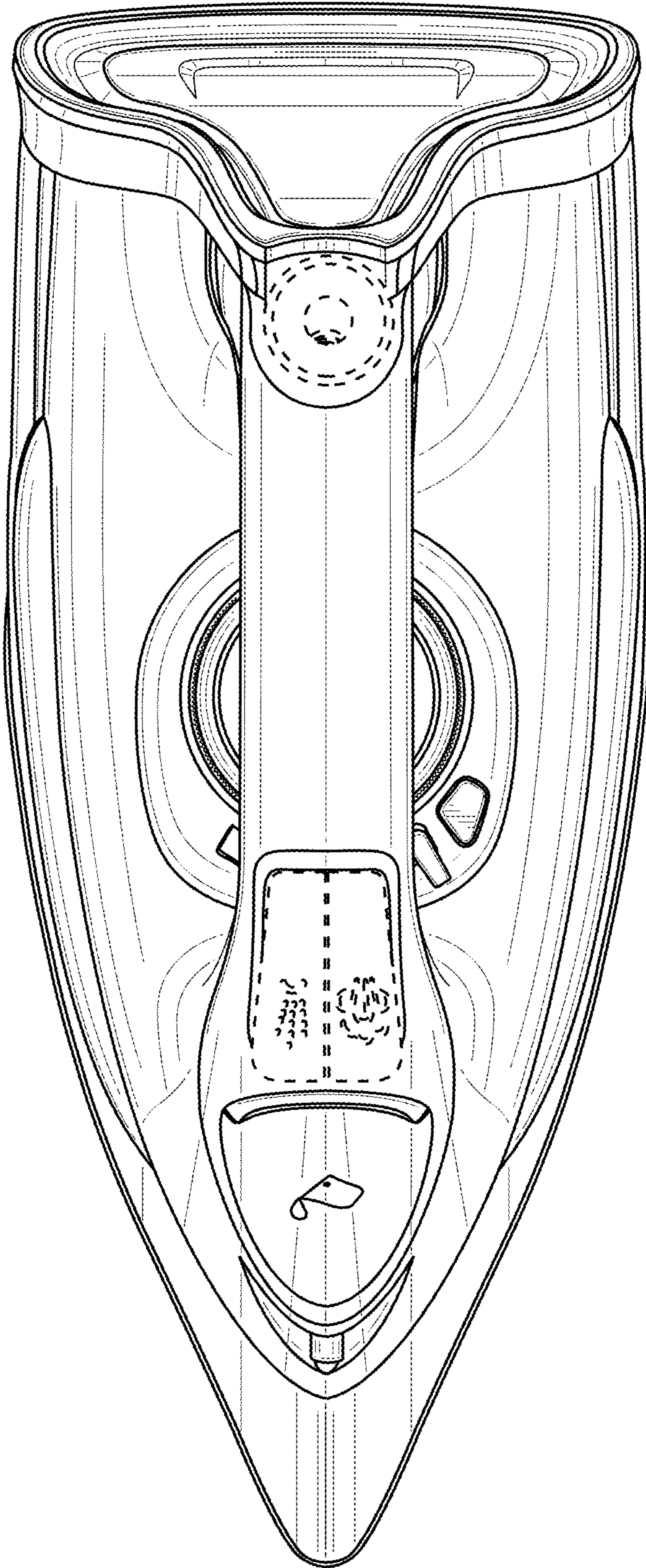




**FIG. 4**

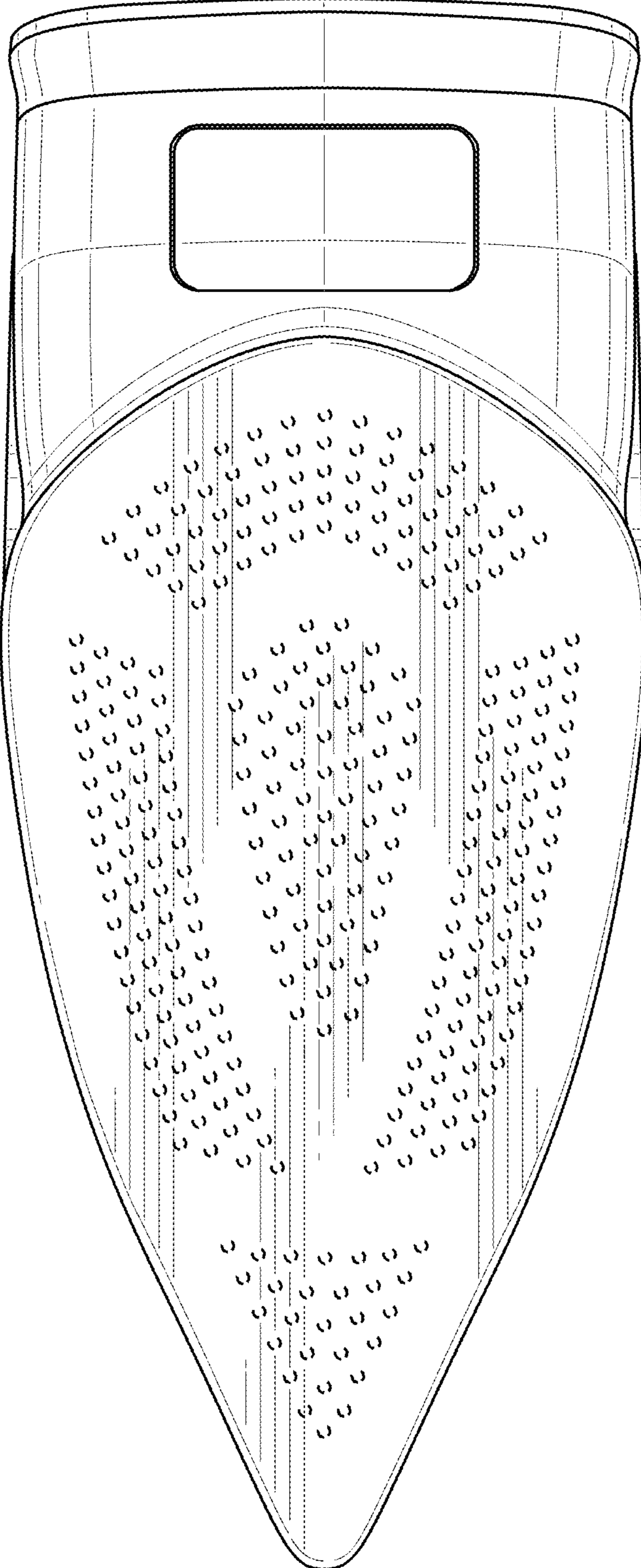


**FIG. 5**



**FIG. 6**





**FIG. 7**