



US00D821670S

(12) **United States Design Patent**
Lynch

(10) **Patent No.:** **US D821,670 S**

(45) **Date of Patent:** **** Jun. 26, 2018**

(54) **SINK GRID**

(71) Applicant: **Elkay Manufacturing Company**, Oak Brook, IL (US)

(72) Inventor: **Erik Lynch**, Downers Grove, IL (US)

(73) Assignee: **Elkay Manufacturing Company**, Oak Brook, IL (US)

(**) Term: **15 Years**

(21) Appl. No.: **29/589,788**

(22) Filed: **Jan. 4, 2017**

(51) **LOC (11) Cl.** **07-05**

(52) **U.S. Cl.**
USPC **D32/57**

(58) **Field of Classification Search**
USPC D32/55, 276, 3; D6/510, 525; D30/133; 211/41.5, 41.4, 41.3, 41.8; 361/679.4; 312/311, 333, 334.4; D7/354, 629
CPC .. A47L 15/505; A47L 15/503; A47L 15/0013; A47L 19/02; A47L 19/04; A47J 47/20
See application file for complete search history.

(56) **References Cited**

U.S. PATENT DOCUMENTS

D348,131 S *	6/1994	Bozzo	D32/55
D514,765 S *	2/2006	Dretzka	D32/57
D537,997 S *	3/2007	Plikuhn	D32/57
D538,497 S *	3/2007	Plikuhn	D32/57
D554,820 S *	11/2007	Dretzka	D32/57
D560,946 S *	2/2008	Malone	D6/582
D594,263 S *	6/2009	Robbins, III	D6/582
D625,482 S *	10/2010	Yang	D32/57
D693,082 S *	11/2013	Evans	D32/56

D707,004 S *	6/2014	Levy	D32/57
D707,005 S *	6/2014	Levy	D32/57
D740,591 S *	10/2015	Huss	D6/592
D776,386 S *	1/2017	Green	D32/55
2008/0179264 A1 *	7/2008	Abrams	A47L 19/02 211/41.3

* cited by examiner

Primary Examiner — Austin Murphy

(74) *Attorney, Agent, or Firm* — Leydig, Voit & Mayer, Ltd.

(57) **CLAIM**

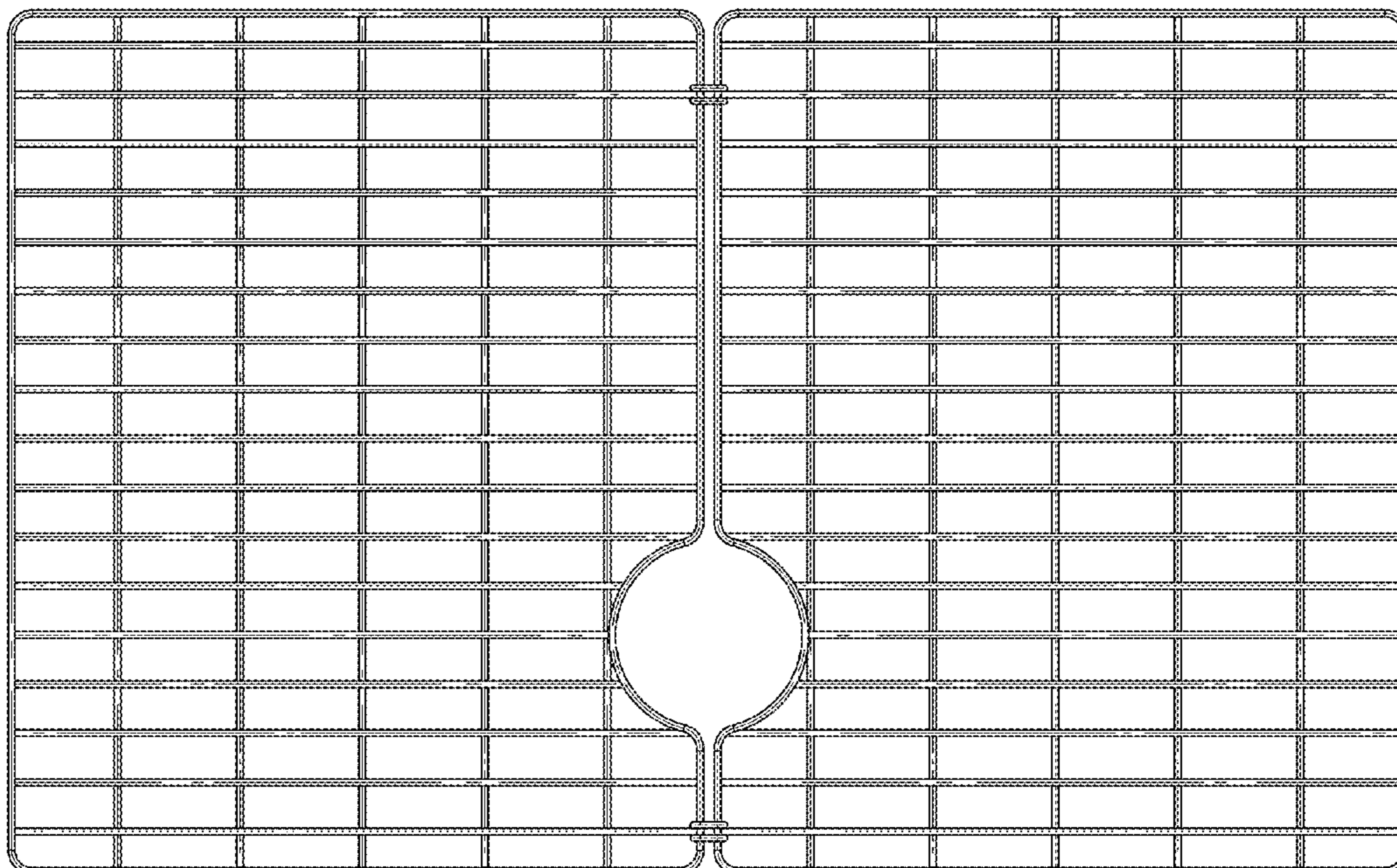
The ornamental design for a sink grid, as shown and described.

DESCRIPTION

FIG. 1 is a perspective view taken from the front, top, and right side of a sink grid in accordance with my new design. FIG. 2 is a close up view of the sink grid of FIG. 1. FIG. 3 is a perspective view taken from the front, bottom, and right side of the sink grid of FIG. 1. FIG. 4 is a close up view of the sink grid of FIG. 2. FIG. 5 is a top plan view of the sink grid of FIG. 1. FIG. 6 is a bottom plan view of the sink grid of FIG. 1. FIG. 7 is a front elevation view of the sink grid of FIG. 1. FIG. 8 is a rear elevation view of the sink grid of FIG. 1. FIG. 9 is a left side elevation view of the sink grid of FIG. 1; and, FIG. 10 is a right side elevation view of the sink grid of FIG. 1.

The broken lines shown depict portions of the sink grid that form no part of the claimed design.

1 Claim, 5 Drawing Sheets



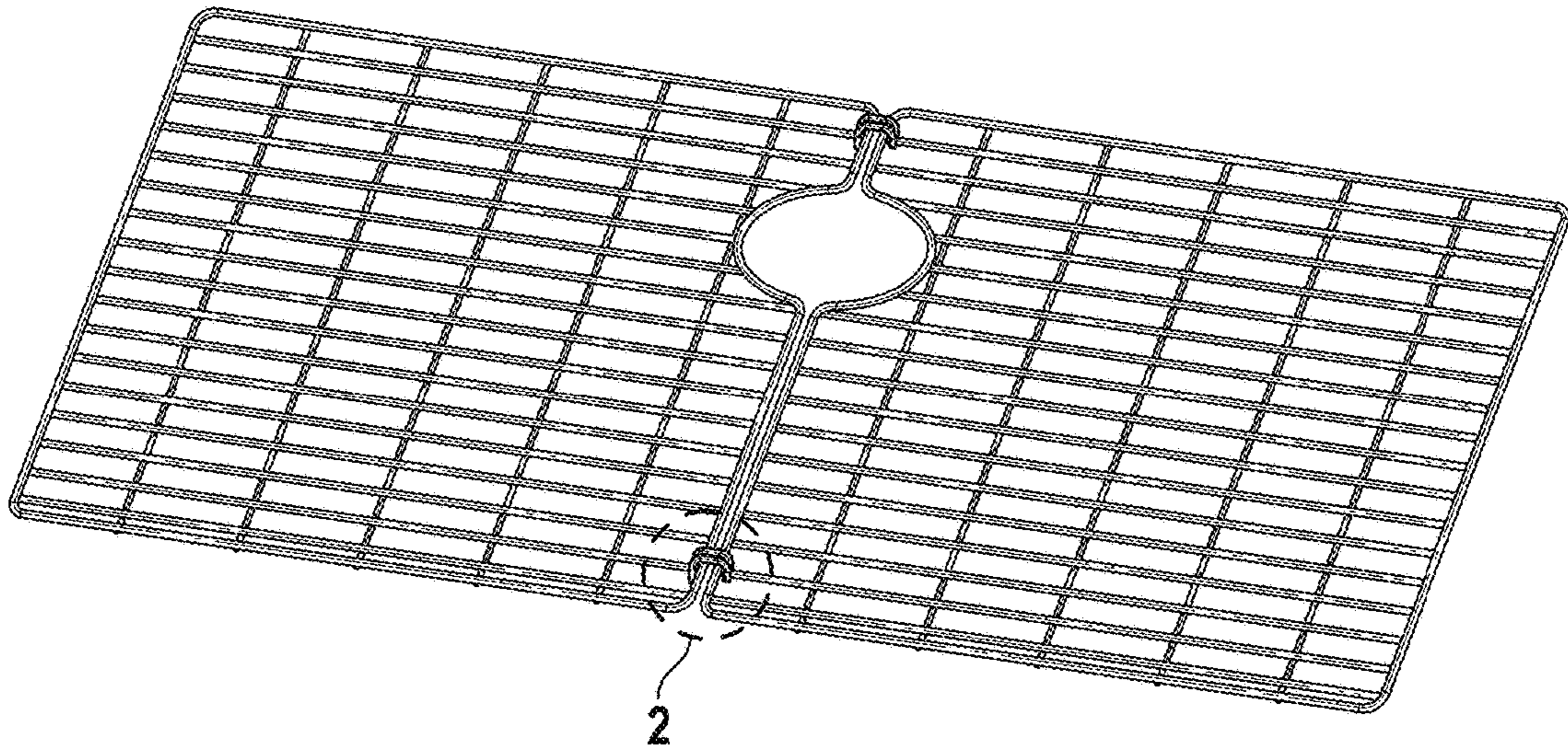


FIG. 1

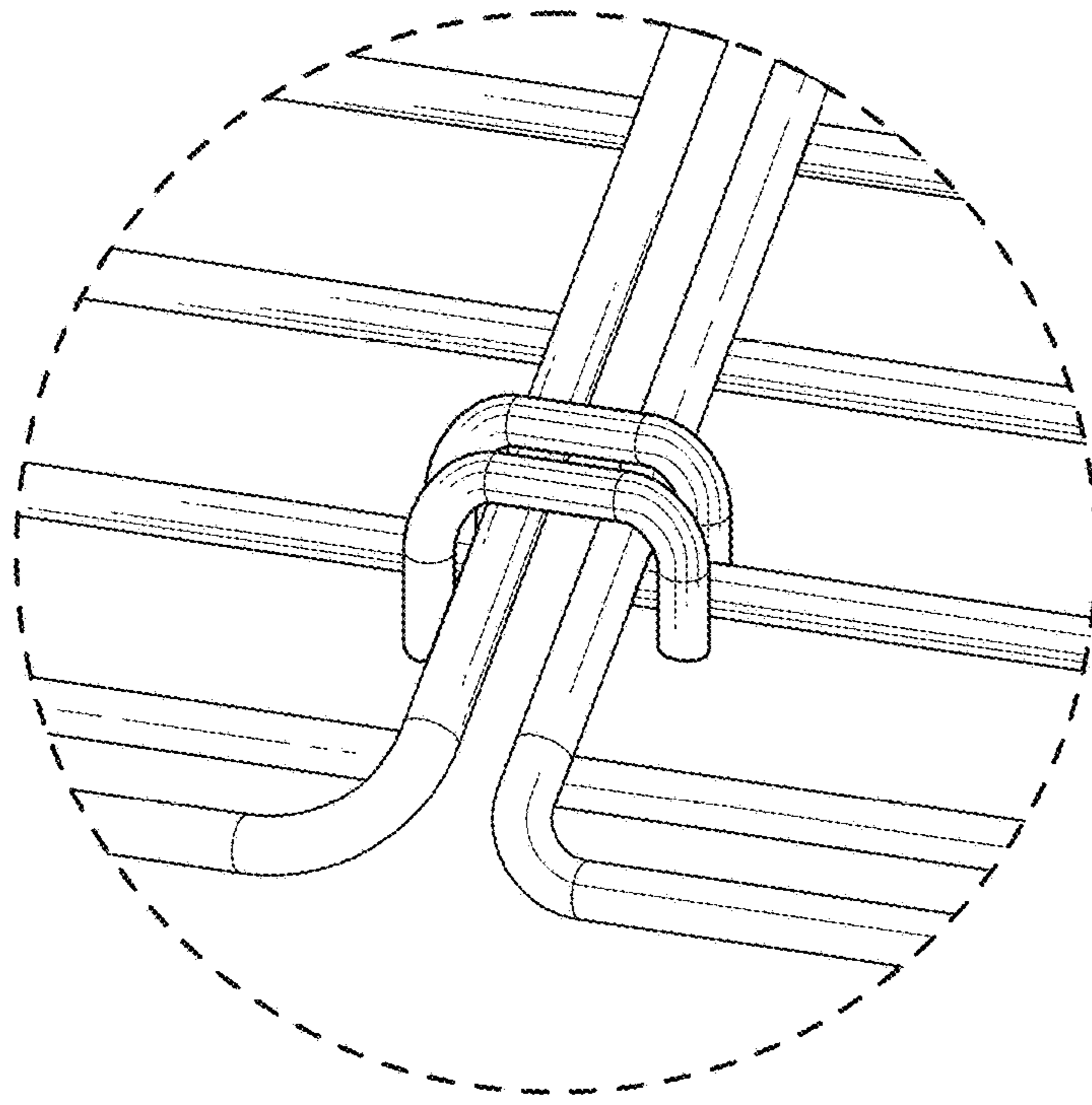


FIG. 2

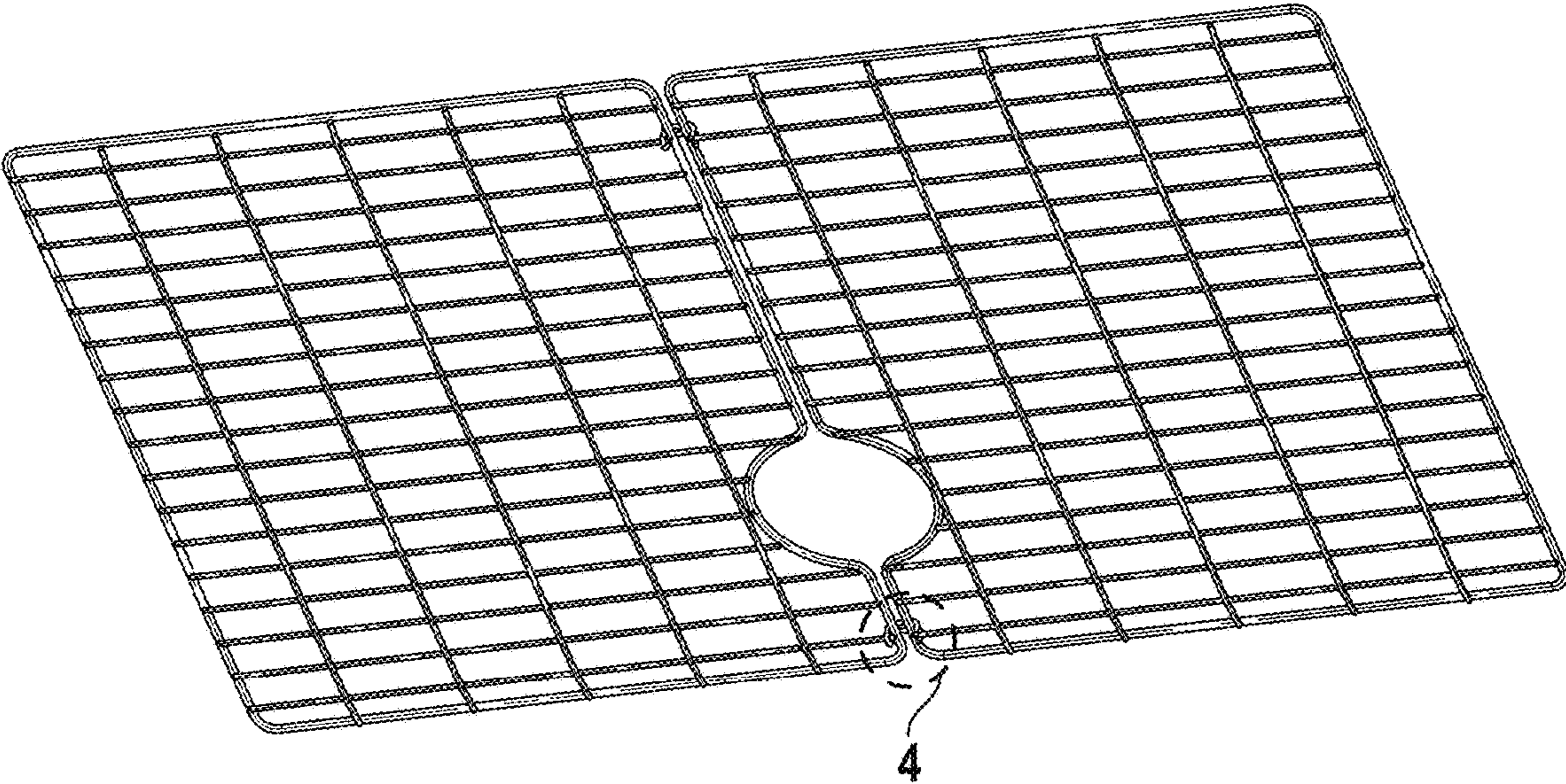


FIG. 3

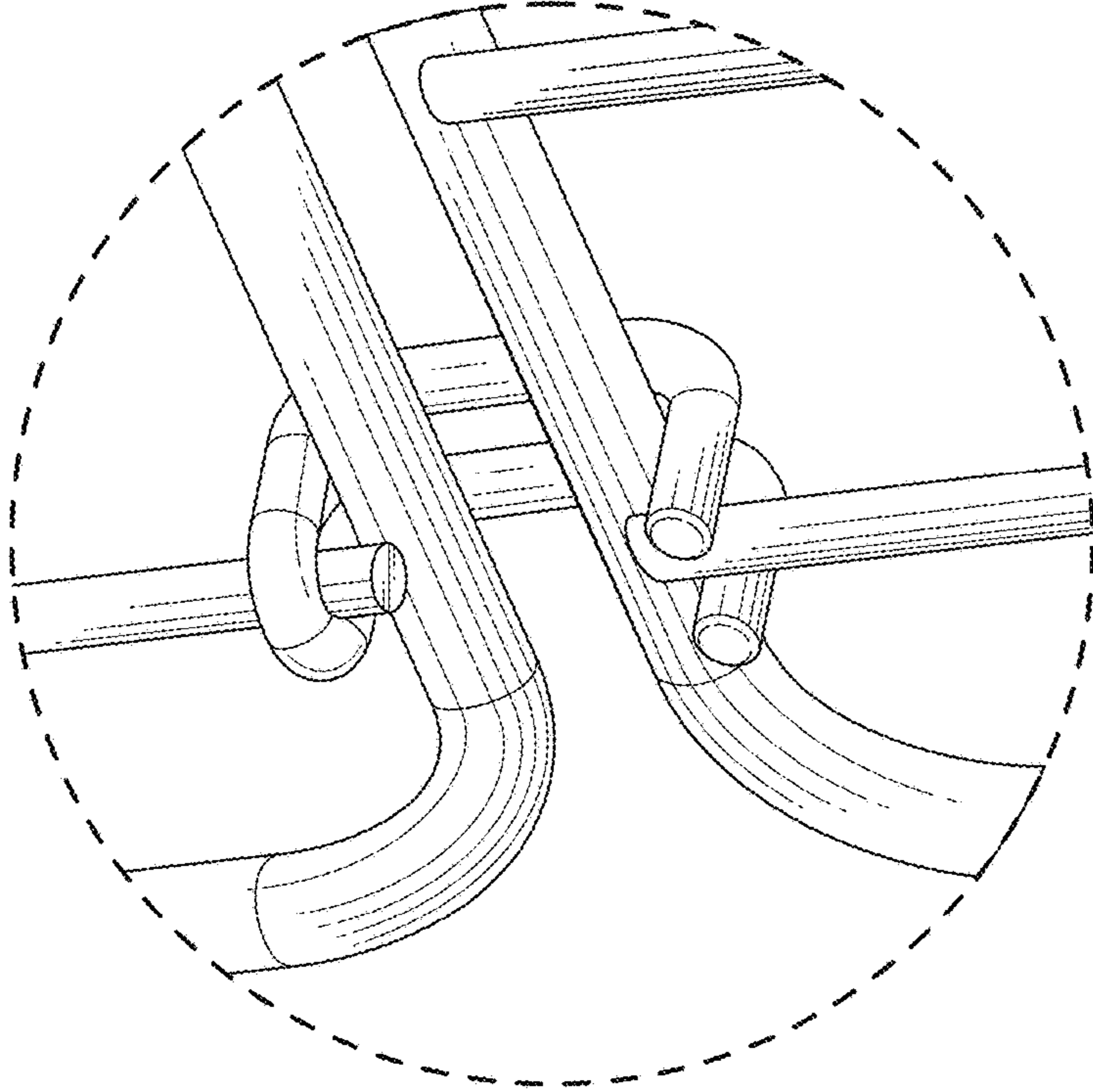


FIG. 4

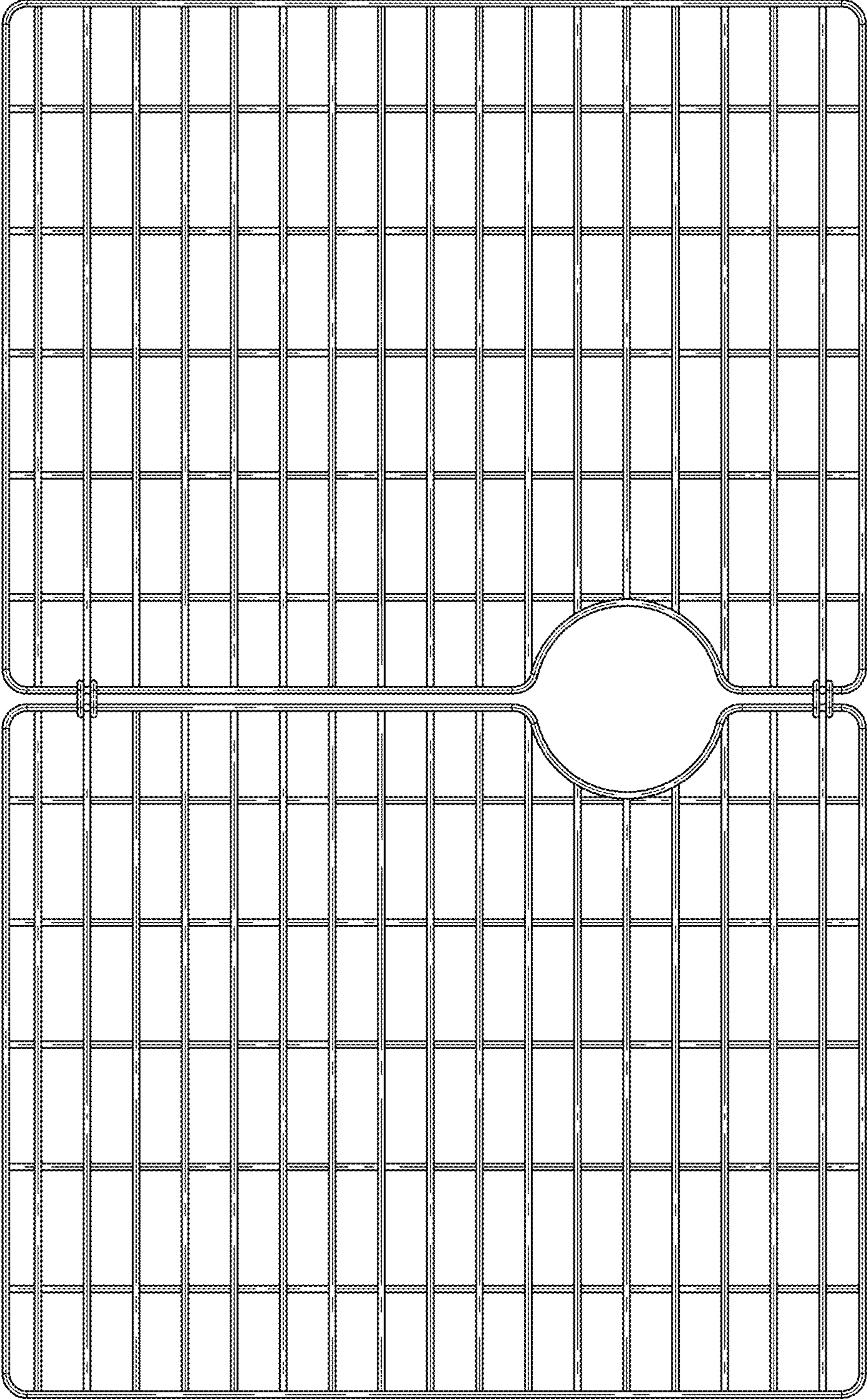


FIG. 5

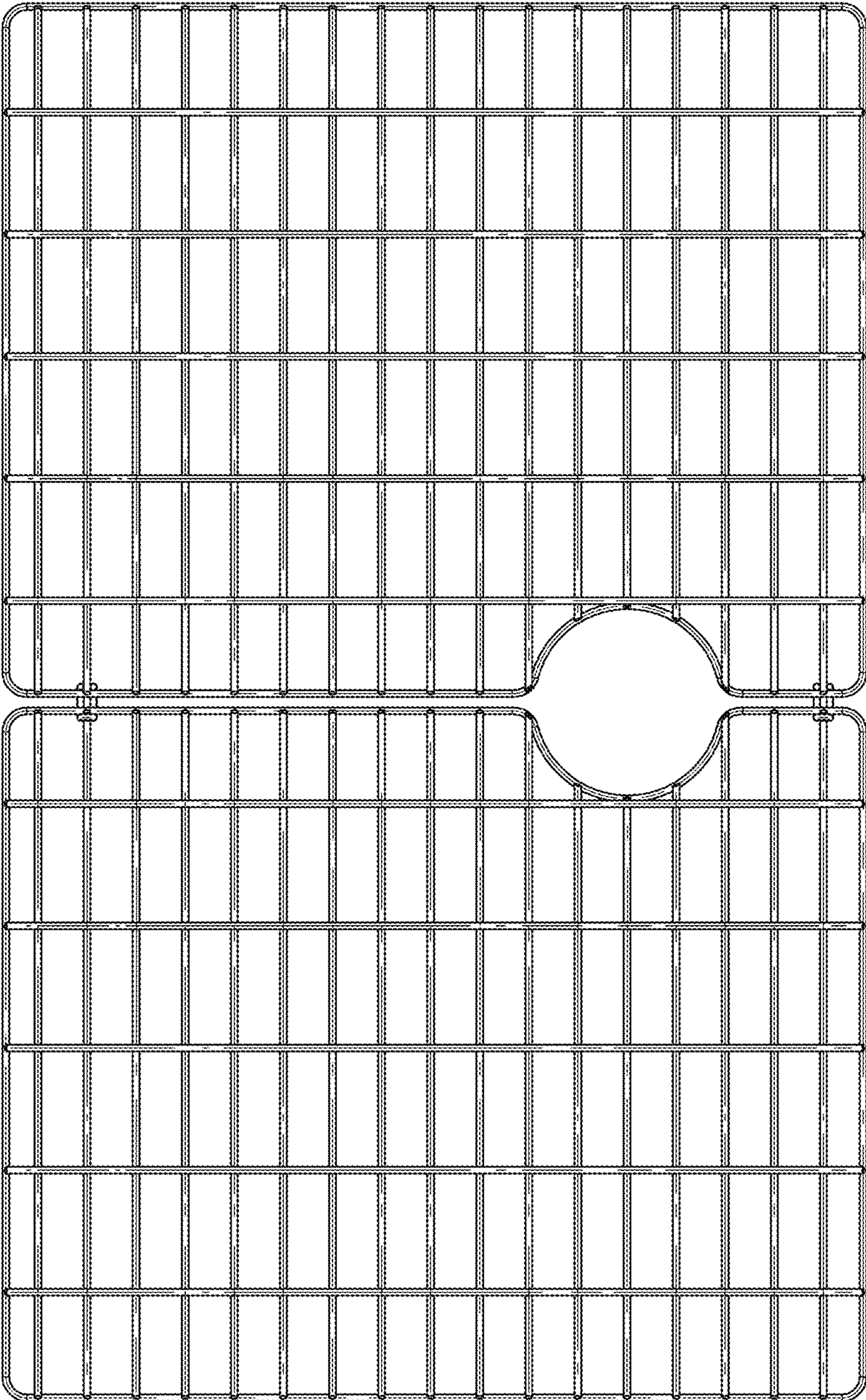


FIG. 6



FIG. 7



FIG. 8



FIG. 9



FIG. 10