



US00D821669S

(12) **United States Design Patent**
Arciniegas

(10) **Patent No.:** **US D821,669 S**
(45) **Date of Patent:** **** Jun. 26, 2018**

(54) **PAINT PAIL**

(71) Applicant: **Alfonso Arciniegas**, Melrose Park, IL
(US)

(72) Inventor: **Alfonso Arciniegas**, Melrose Park, IL
(US)

(**) Term: **15 Years**

(21) Appl. No.: **29/539,689**

(22) Filed: **Sep. 16, 2015**

(51) **LOC (11) Cl.** **07-05**

(52) **U.S. Cl.**
USPC **D32/53; D9/532**

(58) **Field of Classification Search**
USPC D9/500, 504, 516, 529, 530, 531, 532,
D9/537, 538, 539, 549, 550, 552, 553,
D9/558, 572-574, 715, 719, 443;
D7/601, 602, 605, 608, 612, 615, 629,
D7/705, 706; D3/202, 308; D32/53
CPC B65D 21/0223; B65D 2543/00092; B65D
1/0215; B65D 25/28; B65D 81/3446
See application file for complete search history.

(56) **References Cited**

U.S. PATENT DOCUMENTS

- 3,515,306 A * 6/1970 Roper B65D 43/0212
220/675
- D296,304 S * 6/1988 Poirier D9/500
- 4,854,472 A * 8/1989 Semersky B65D 43/0239
206/807
- D628,080 S * 11/2010 Van Heerikhuize D9/428
- D649,880 S * 12/2011 Smith, III D9/500
- 2005/0145628 A1 * 7/2005 Schwarz B65D 43/0237
220/276
- 2006/0138141 A1 * 6/2006 Stolzman B65D 45/34
220/320
- 2006/0255040 A1 * 11/2006 Woinarski B65D 21/022
220/276

- 2007/0017922 A1 1/2007 Arciniegas
- 2011/0155753 A1 * 6/2011 Noer B65D 11/08
220/796
- 2012/0138562 A1 * 6/2012 Letica B65D 43/0279
215/221
- 2013/0186898 A1 * 7/2013 Luburic B65D 43/026
220/270
- 2014/0138381 A1 * 5/2014 Letica B65D 41/06
220/265
- 2014/0158686 A1 * 6/2014 Selina B65D 43/0256
220/276

* cited by examiner

Primary Examiner — Ian Simmons

Assistant Examiner — Keith Frank

(74) *Attorney, Agent, or Firm* — Clifford H. Kraft

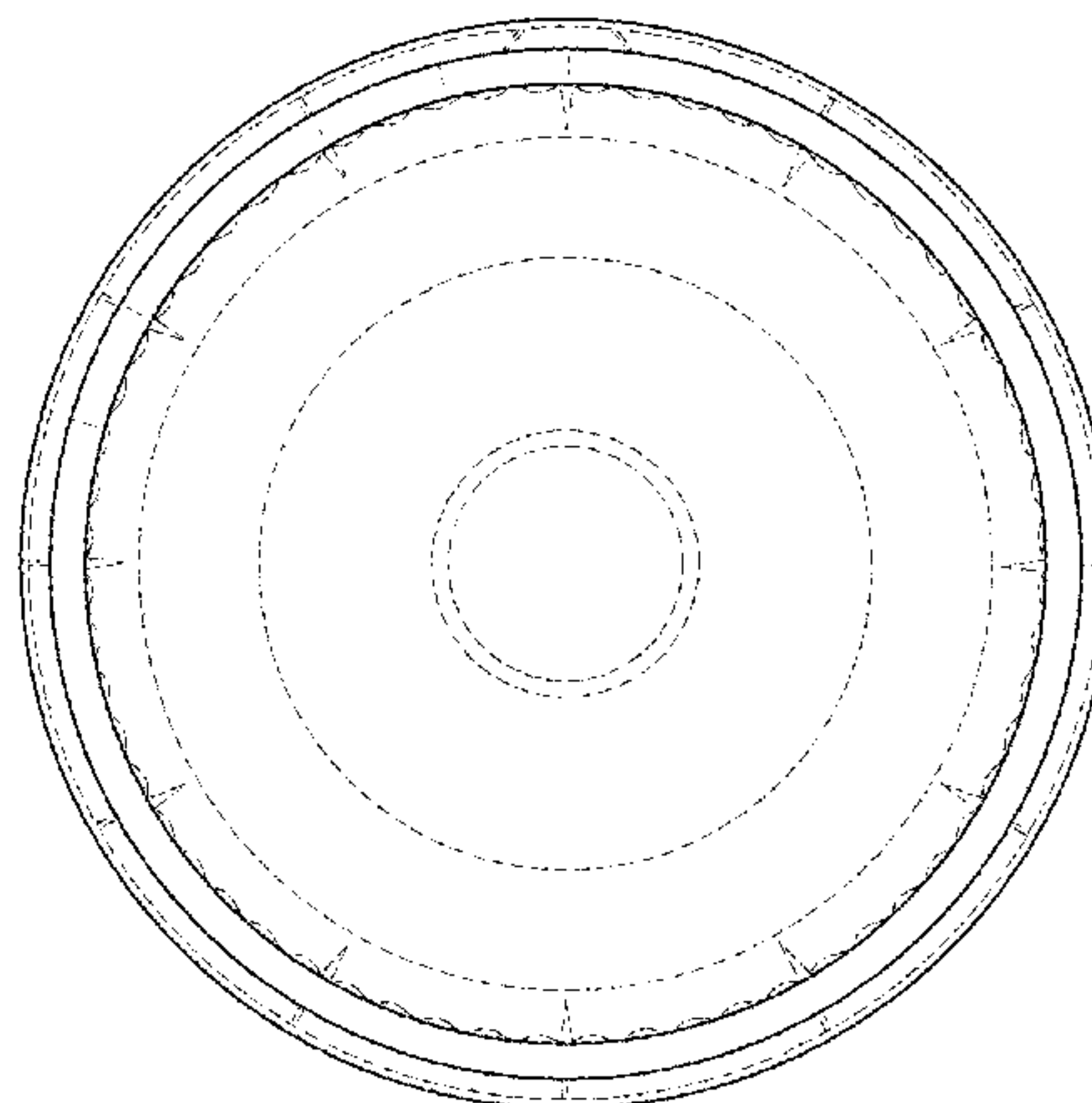
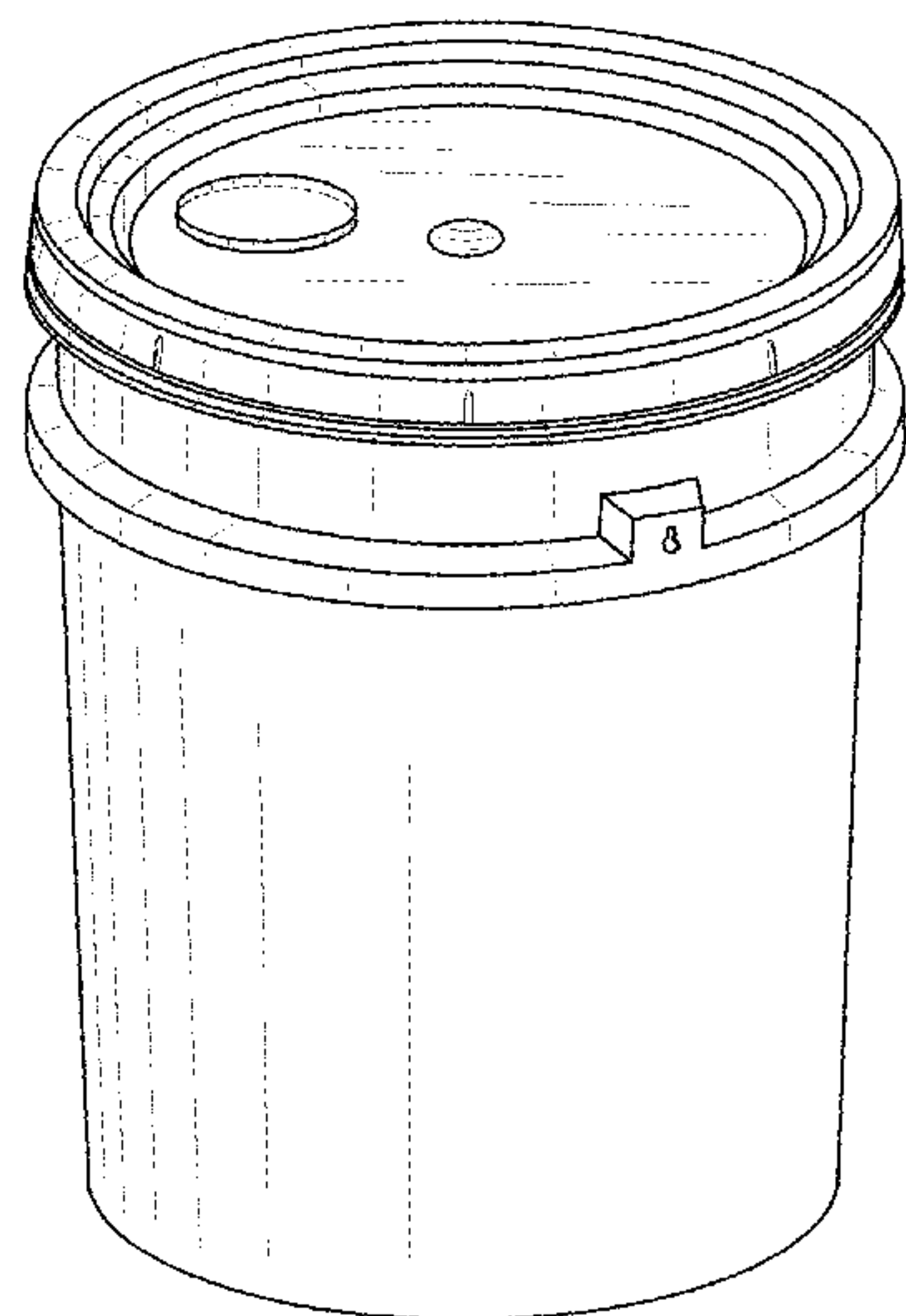
(57) **CLAIM**

The ornamental design for a paint pail, as shown and described.

DESCRIPTION

FIG. 1 is a perspective view showing my new design for a paint pail without the handle shown in FIG. 6;
 FIG. 2 is a front elevation view thereof, the rear elevation view being the same;
 FIG. 3 is a side elevation view thereof, the opposing side elevation view being the same;
 FIG. 4 is a top plan view thereof;
 FIG. 5 is a bottom plan view thereof;
 FIG. 6 is a side elevation view with handle attached thereof;
 FIG. 7 is a side elevation view of the handle portion of FIG. 5, the opposing side elevation view being the same;
 FIG. 8 is a top plan view thereof;
 FIG. 9 is a bottom plan view thereof; and,
 FIG. 10 is an end elevation view thereof.
 Broken lines in the drawings showing of the paint pail illustrate the parts of the paint pail that form no part of the claimed design.

1 Claim, 10 Drawing Sheets



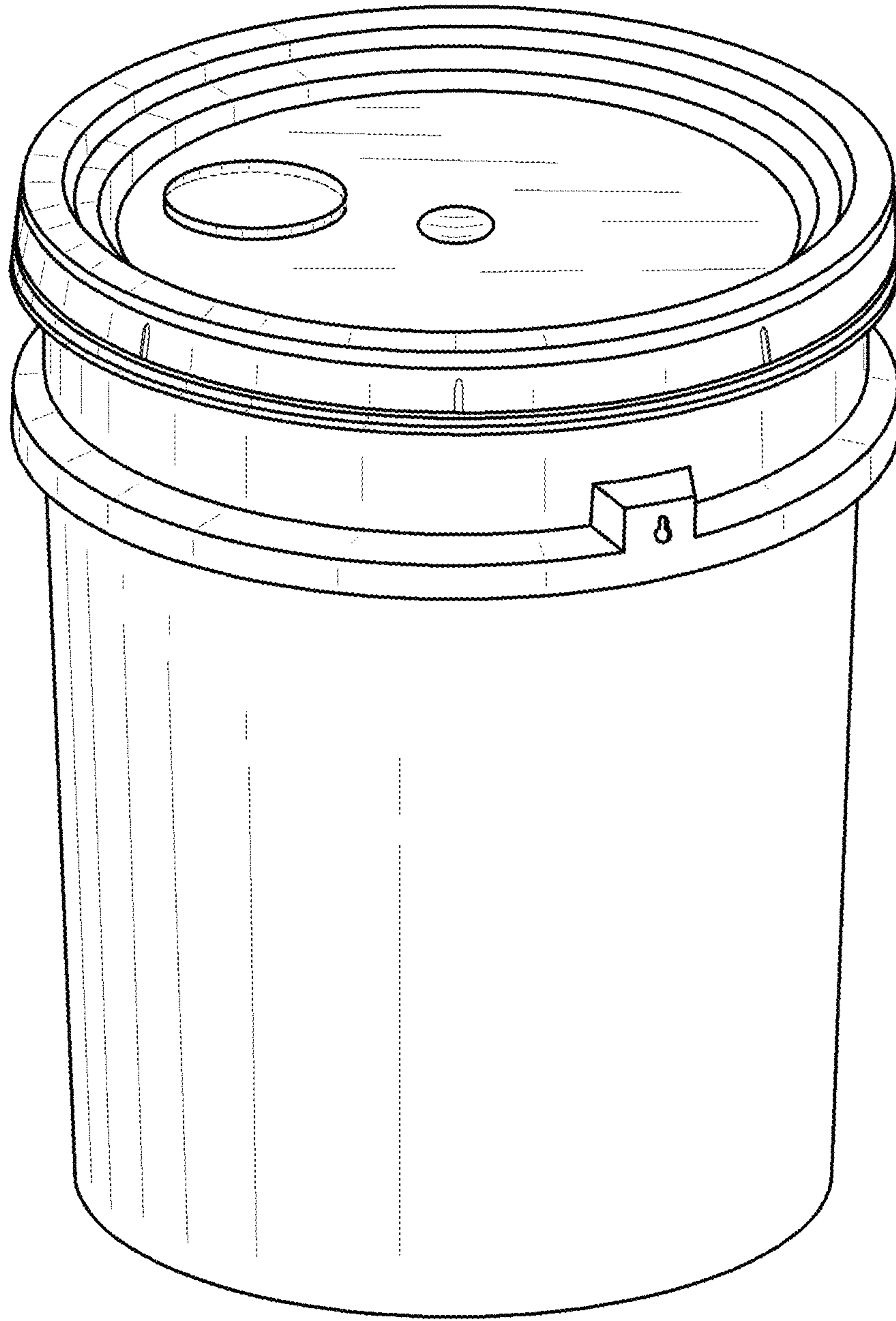


Fig. 1

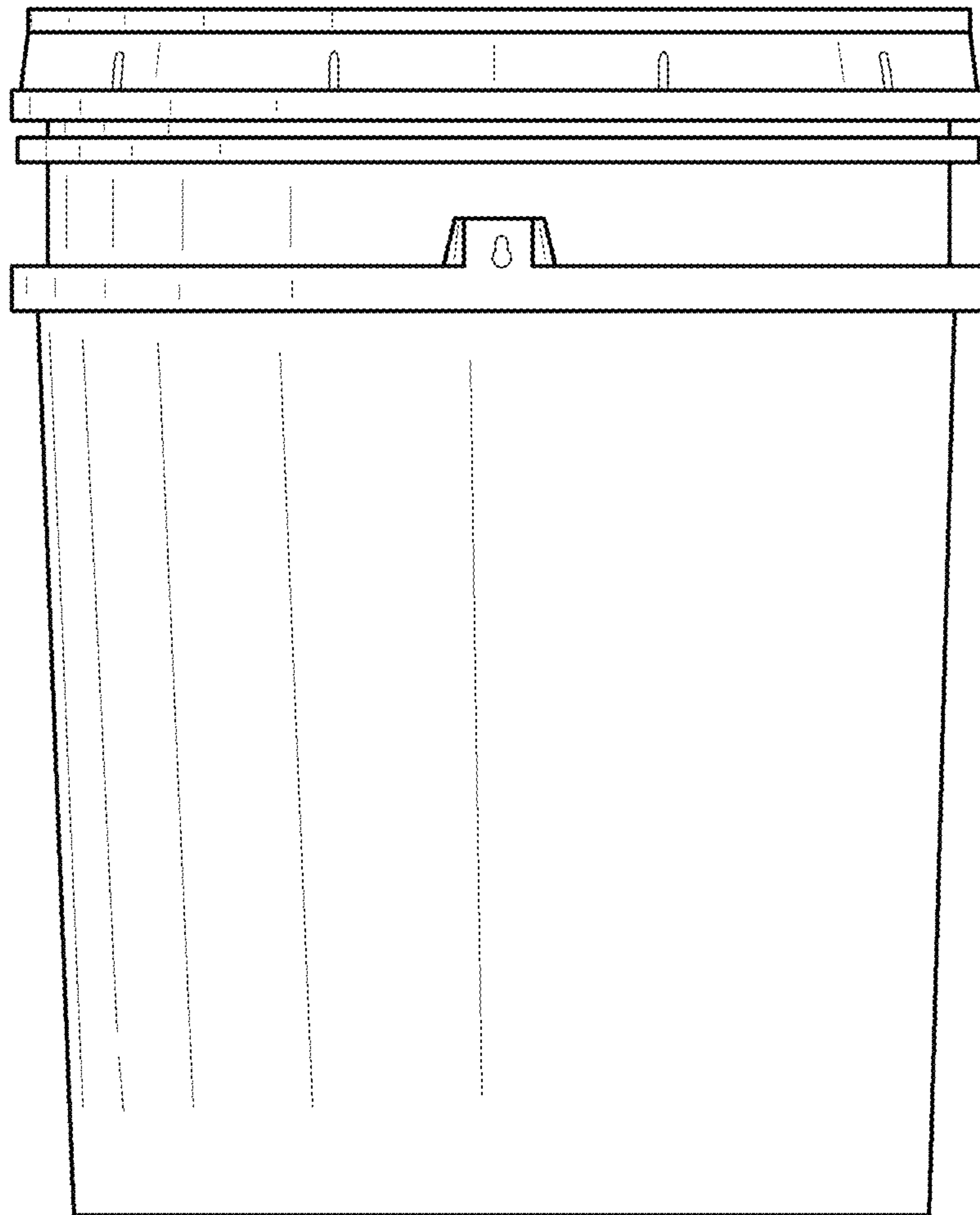


Fig. 2

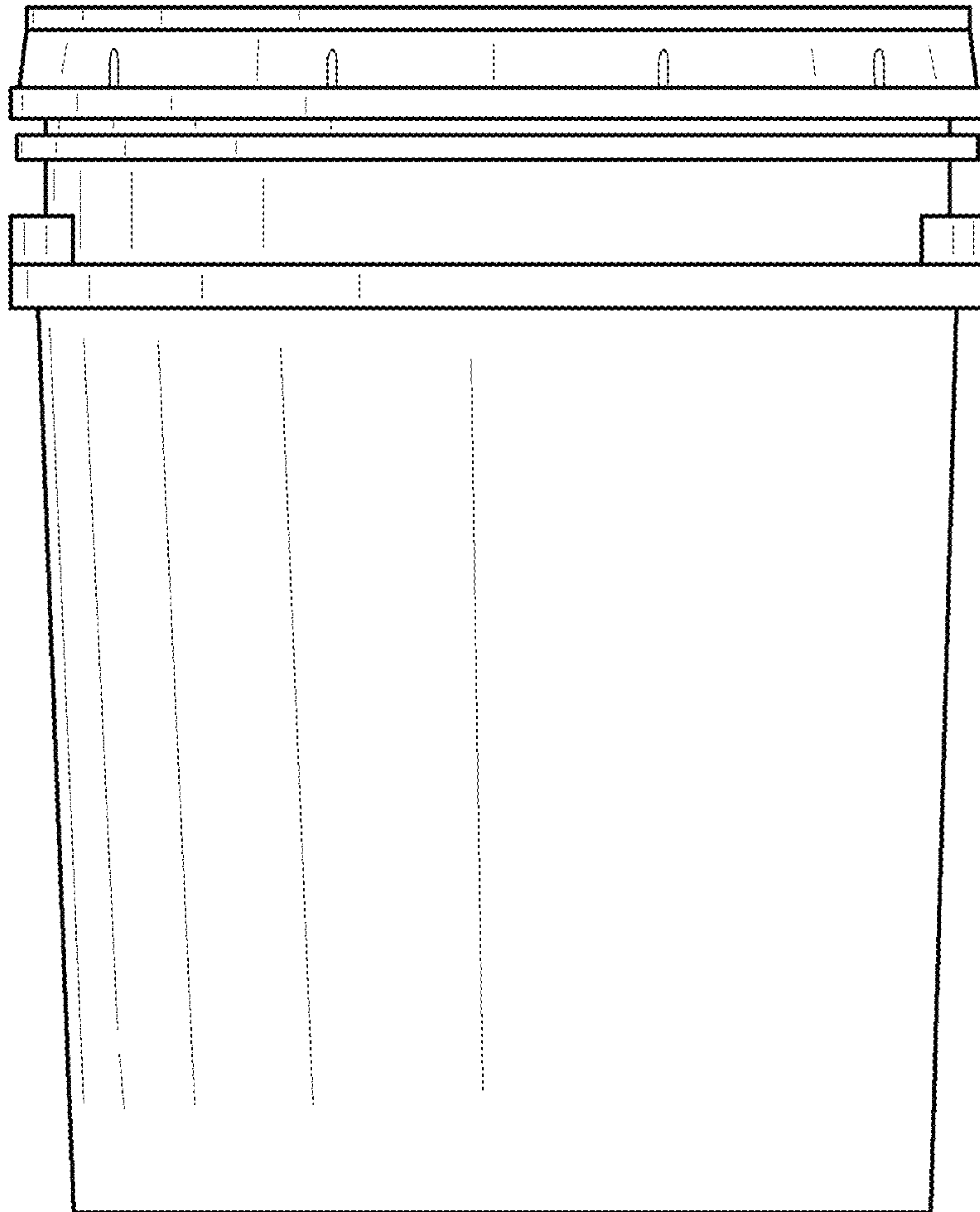


Fig. 3

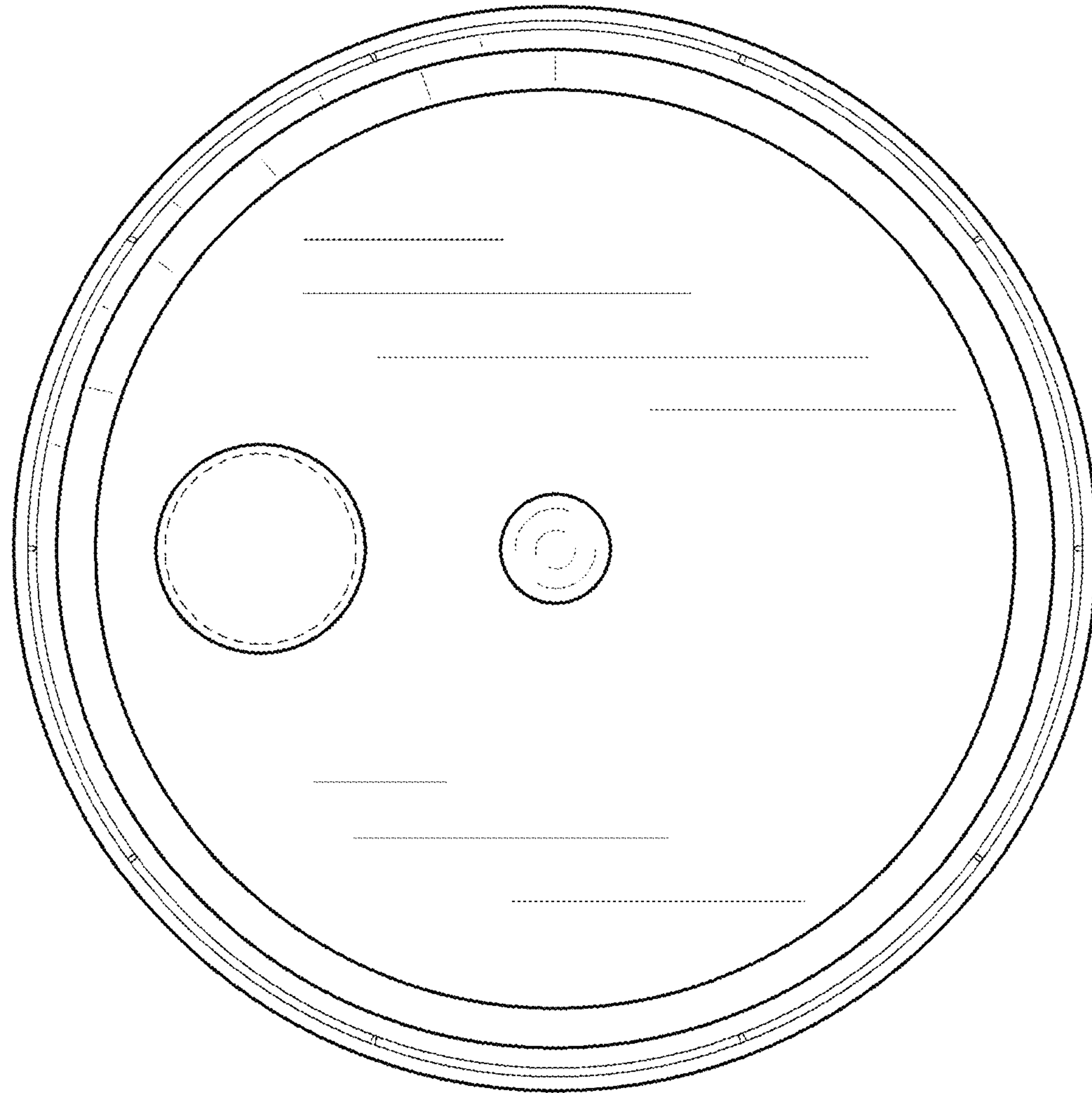


Fig. 4

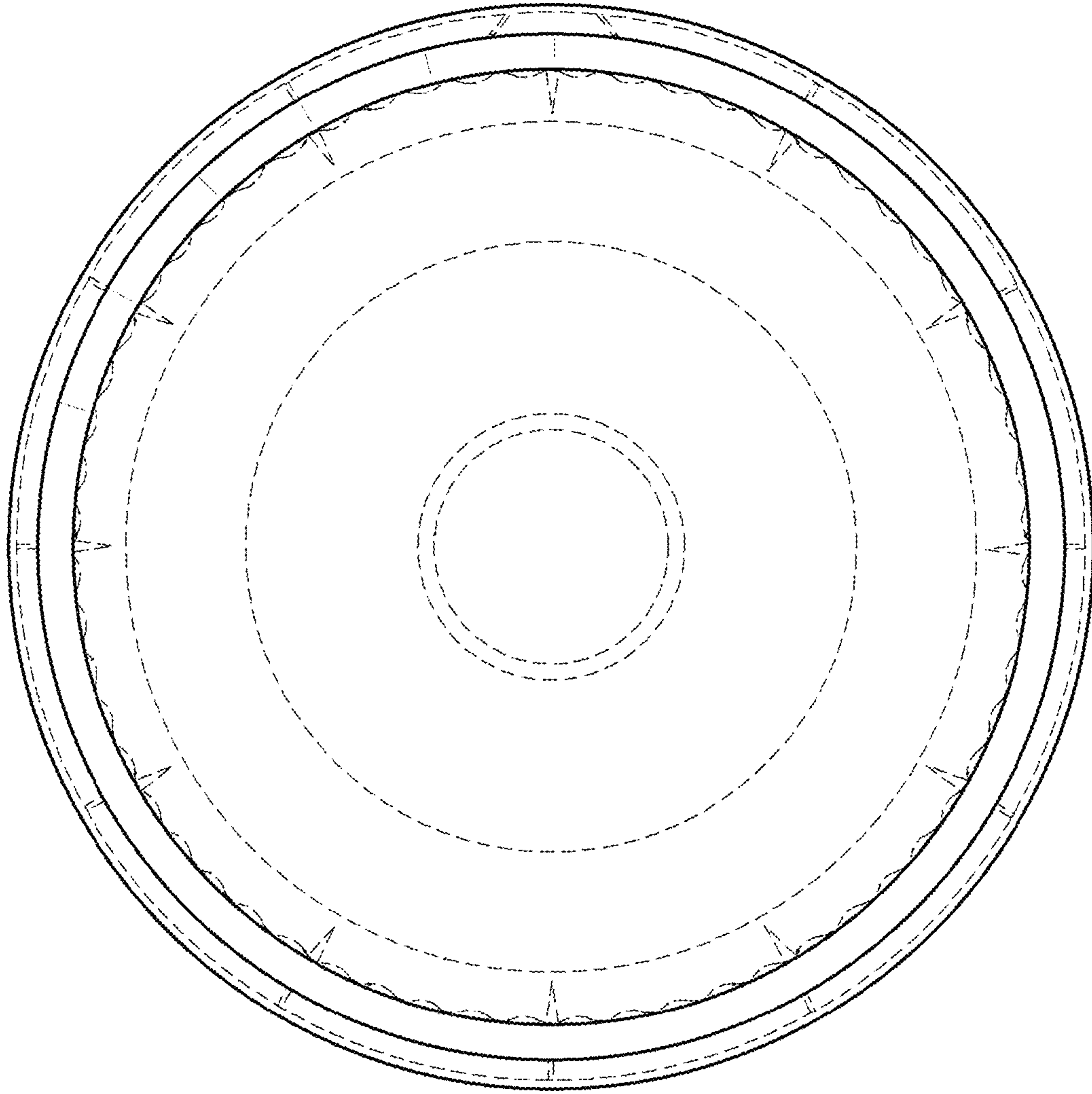


Fig. 5

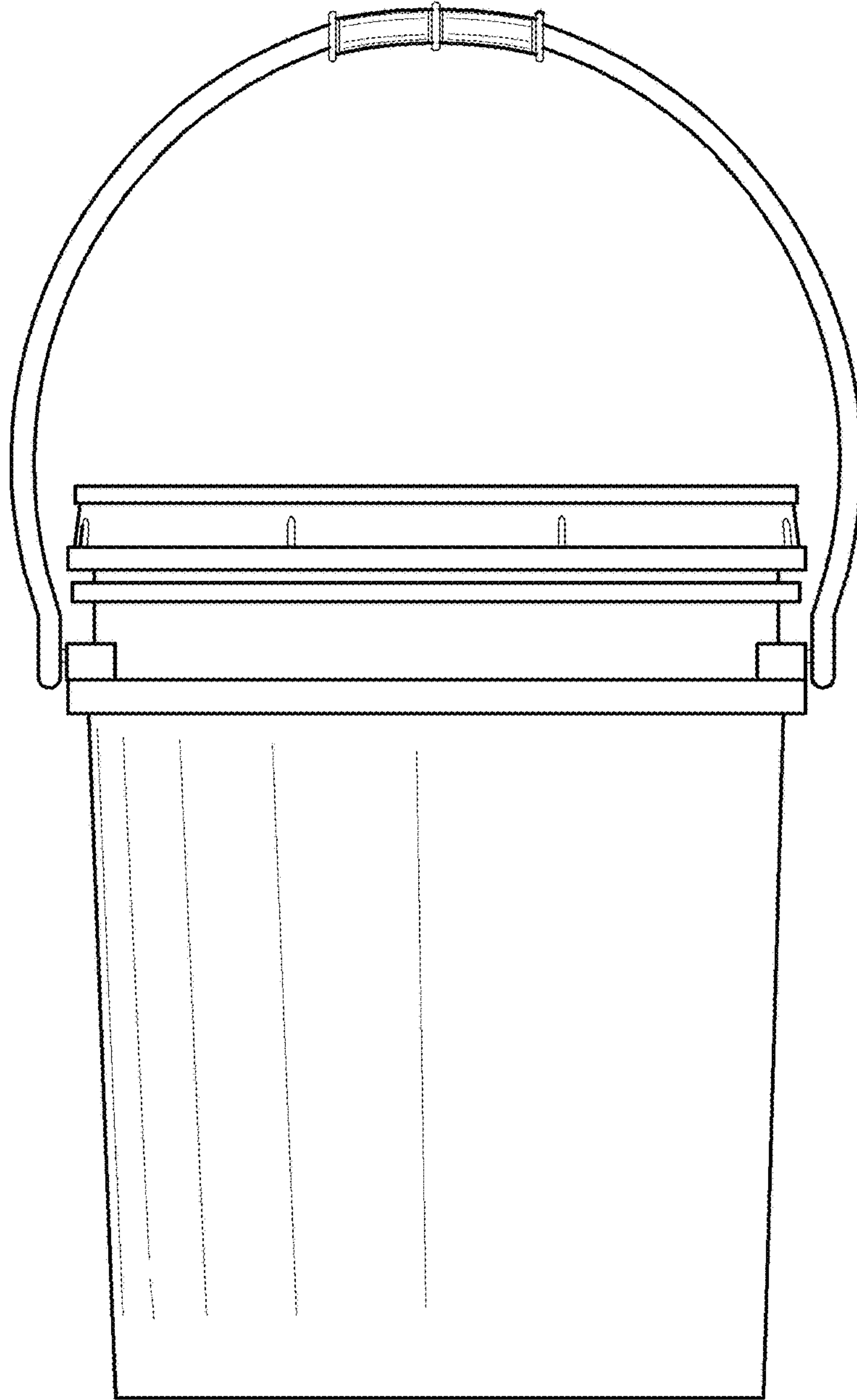


Fig. 6

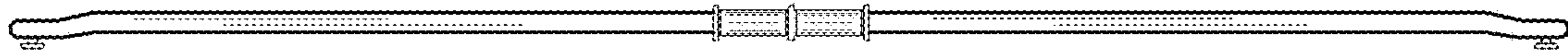


Fig. 7

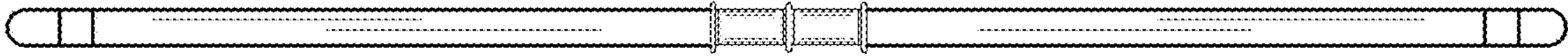


Fig. 8

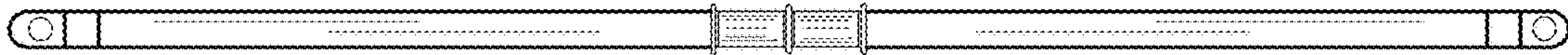


Fig. 9

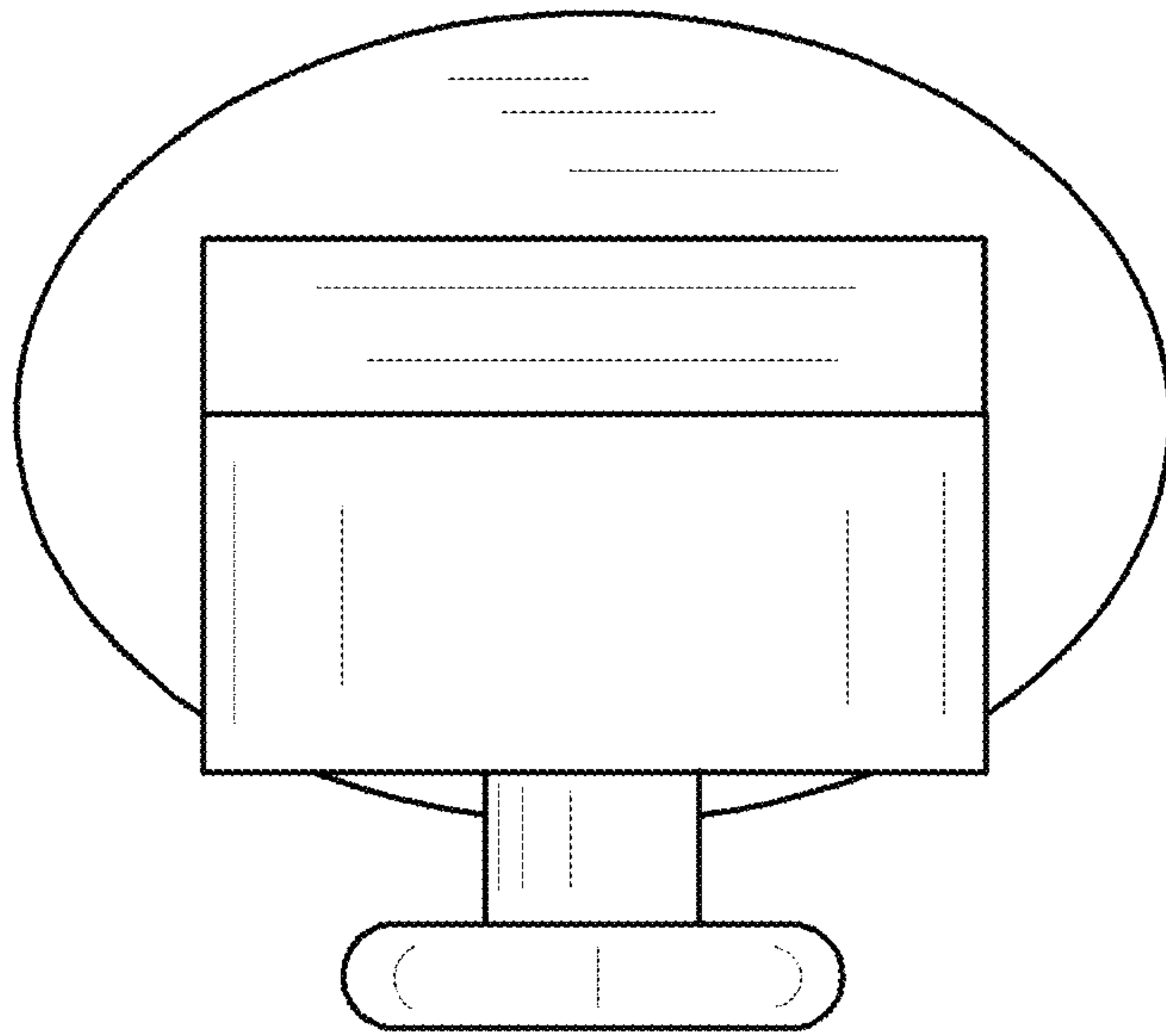


Fig. 10