



US00D821668S

(12) **United States Design Patent**  
**Cartwright et al.**

(10) **Patent No.:** **US D821,668 S**

(45) **Date of Patent:** **\*\* Jun. 26, 2018**

(54) **GARMENT STEAMER**

(71) Applicant: **VORNADO AIR LLC**, Andover, KS (US)

(72) Inventors: **Brian M. Cartwright**, Wichita, KS (US); **Gary Israel**, Andover, KS (US)

(73) Assignee: **Vornado Air LLC**, Andover, KS (US)

(\*\*) Term: **15 Years**

(21) Appl. No.: **29/583,315**

(22) Filed: **Nov. 4, 2016**

(51) **LOC (11) Cl.** ..... **15-05**

(52) **U.S. Cl.**  
USPC ..... **D32/31**

(58) **Field of Classification Search**  
USPC ..... D32/17, 21, 23, 24, 31  
CPC ..... G06N 3/008; A47L 9/2857; A47L 9/2842;  
A47L 5/362; A47L 5/365; A47L 5/36;  
A47L 5/28; A47L 5/30; A47L 5/24; A47L  
7/0038; A47L 11/34; E04H 4/1654; D06F  
87/00

See application file for complete search history.

(56) **References Cited**

**U.S. PATENT DOCUMENTS**

D481,183 S \* 10/2003 Mangano ..... D32/17  
D587,866 S \* 3/2009 Mangano ..... D32/17  
D592,366 S \* 5/2009 Mangano ..... D32/17

D598,614 S \* 8/2009 Lam ..... D32/17  
D611,208 S \* 3/2010 Lam ..... D32/17  
D620,208 S \* 7/2010 Mangano ..... D32/17  
D620,651 S \* 7/2010 Enervold ..... D32/17  
D634,493 S \* 3/2011 Breit ..... D32/17  
D648,494 S \* 11/2011 Vrdoljak ..... D32/17  
D656,693 S \* 3/2012 Lavy ..... D32/17  
D674,564 S \* 1/2013 Mangano ..... D32/17  
D702,406 S \* 4/2014 Mu ..... D32/17  
D704,399 S \* 5/2014 Crawley ..... D32/17  
D708,801 S \* 7/2014 Israel ..... D32/17  
D753,354 S \* 4/2016 Casini ..... D32/17  
D771,331 S \* 11/2016 Chaklos ..... D32/17

\* cited by examiner

*Primary Examiner* — Ruth McInroy

(74) *Attorney, Agent, or Firm* — Milligan PC LLO

(57) **CLAIM**

The ornamental design for a garment steamer, as shown and described.

**DESCRIPTION**

FIG. 1 is a left, front perspective view of the garment steamer;

FIG. 2 is a front elevation view thereof;

FIG. 3 is a rear, left, top perspective view thereof;

FIG. 4 is a left side elevation view thereof;

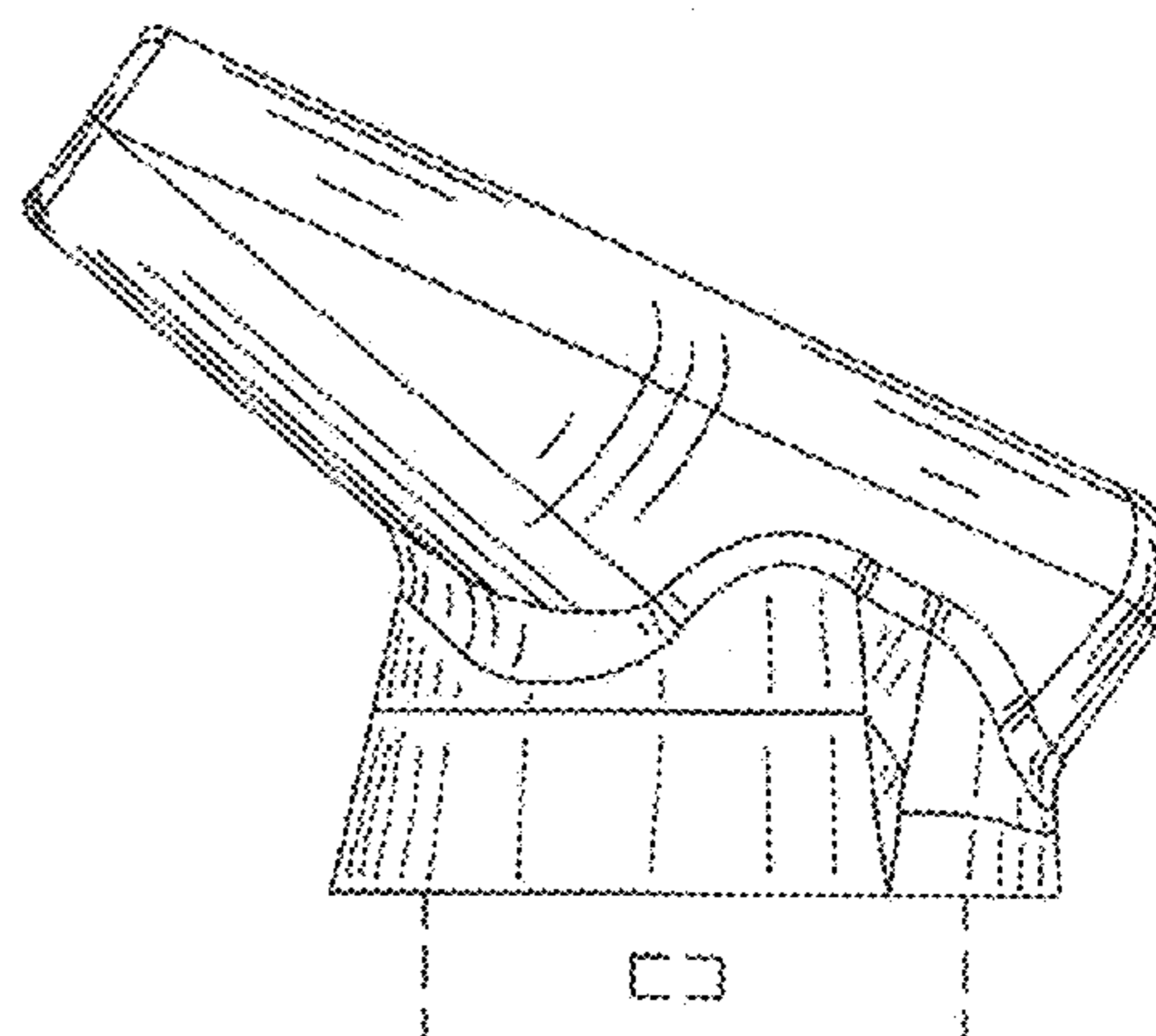
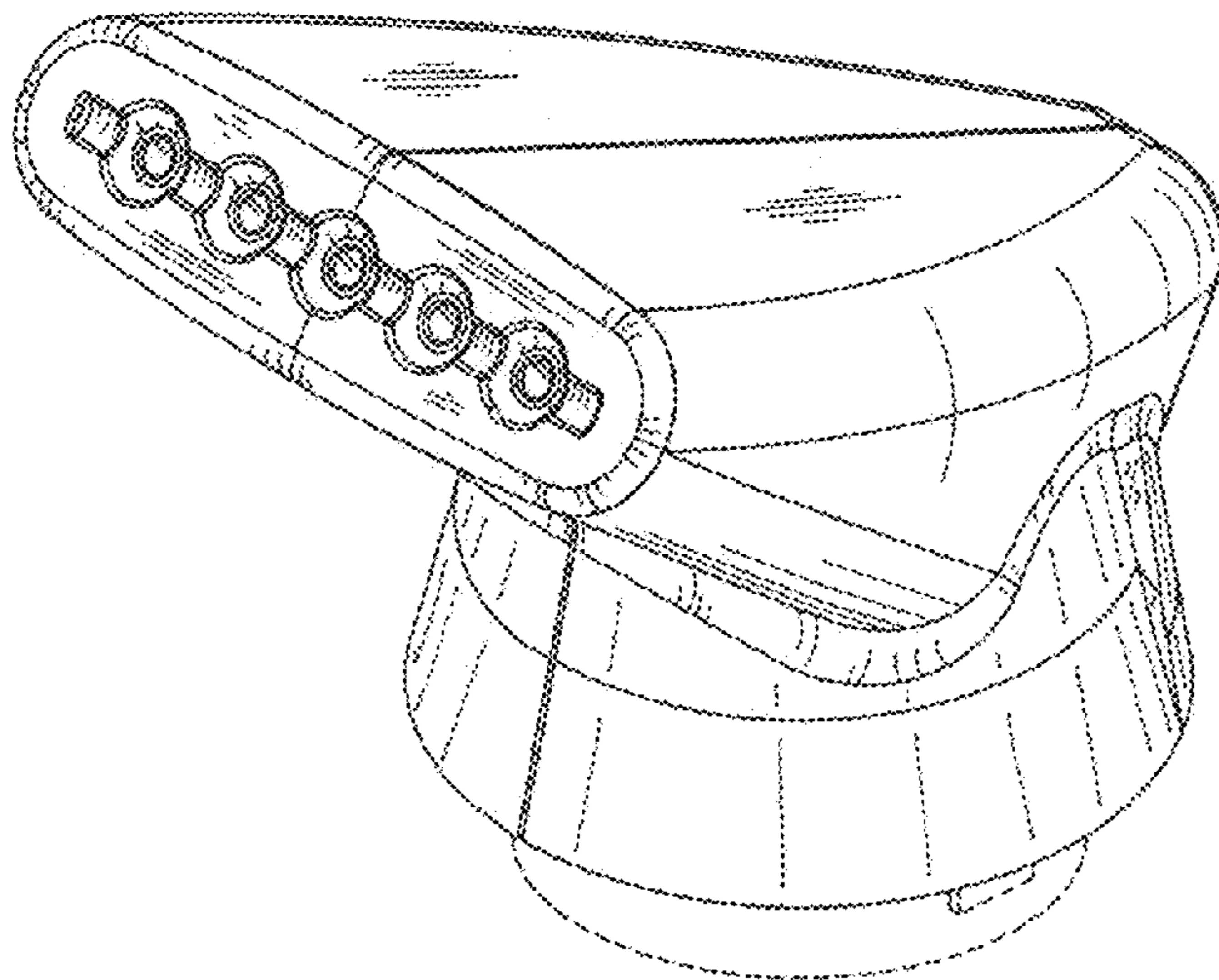
FIG. 5 is a right side elevation view thereof;

FIG. 6 is a top elevation view thereof; and,

FIG. 7 is a bottom elevation view thereof.

The broken lines represent portions of the structure that form no part of the claim.

**1 Claim, 6 Drawing Sheets**



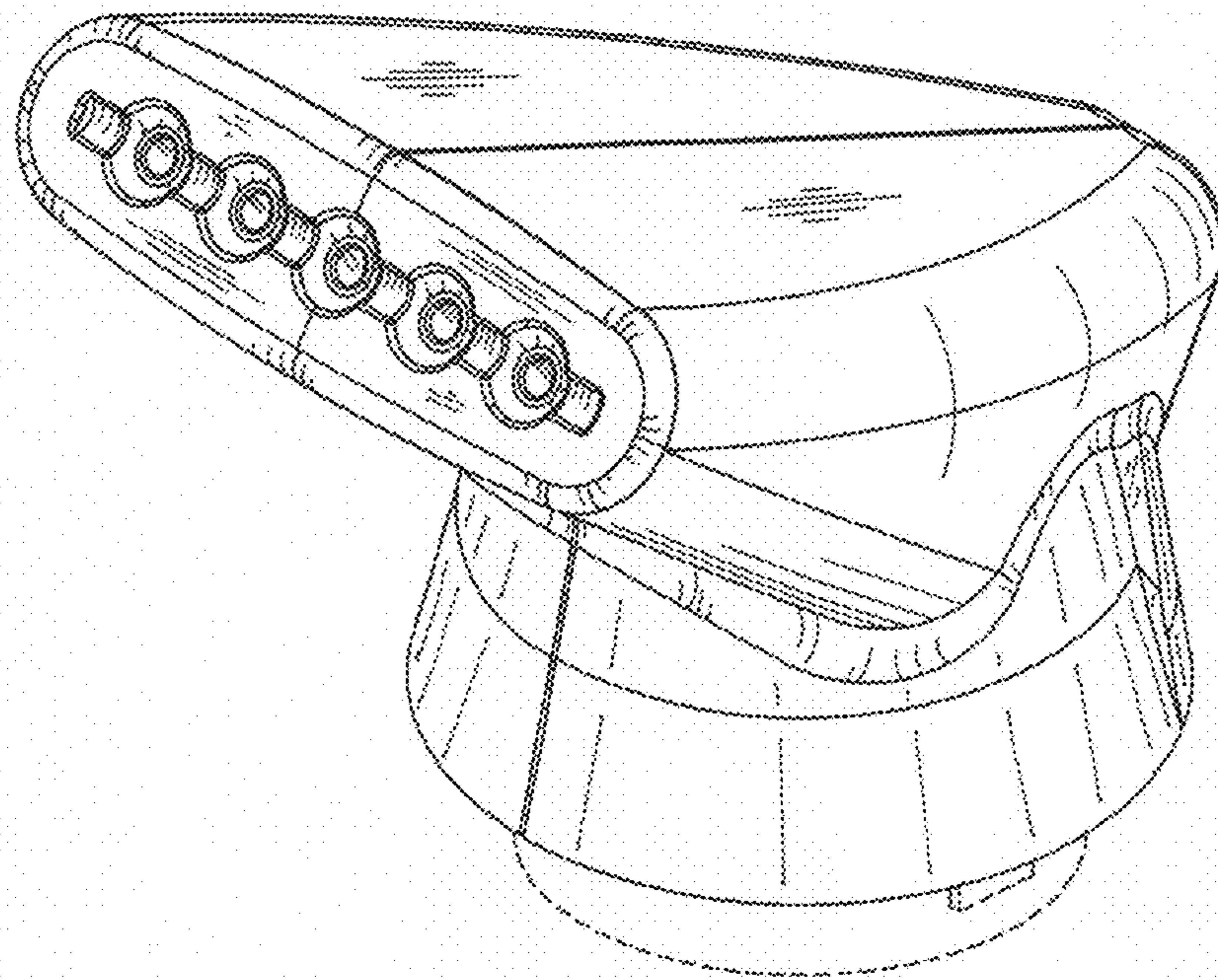


FIG. 1

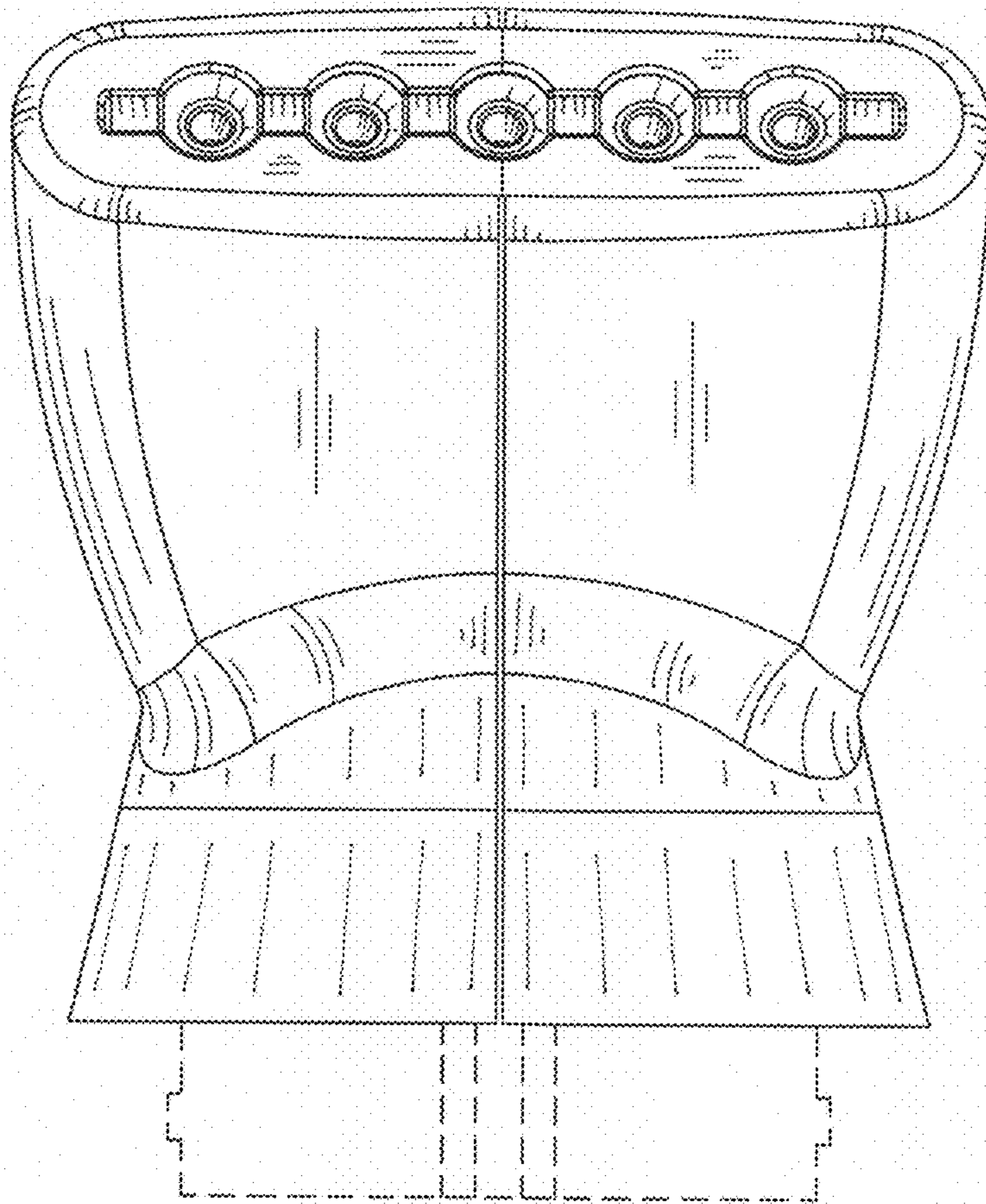


FIG. 2

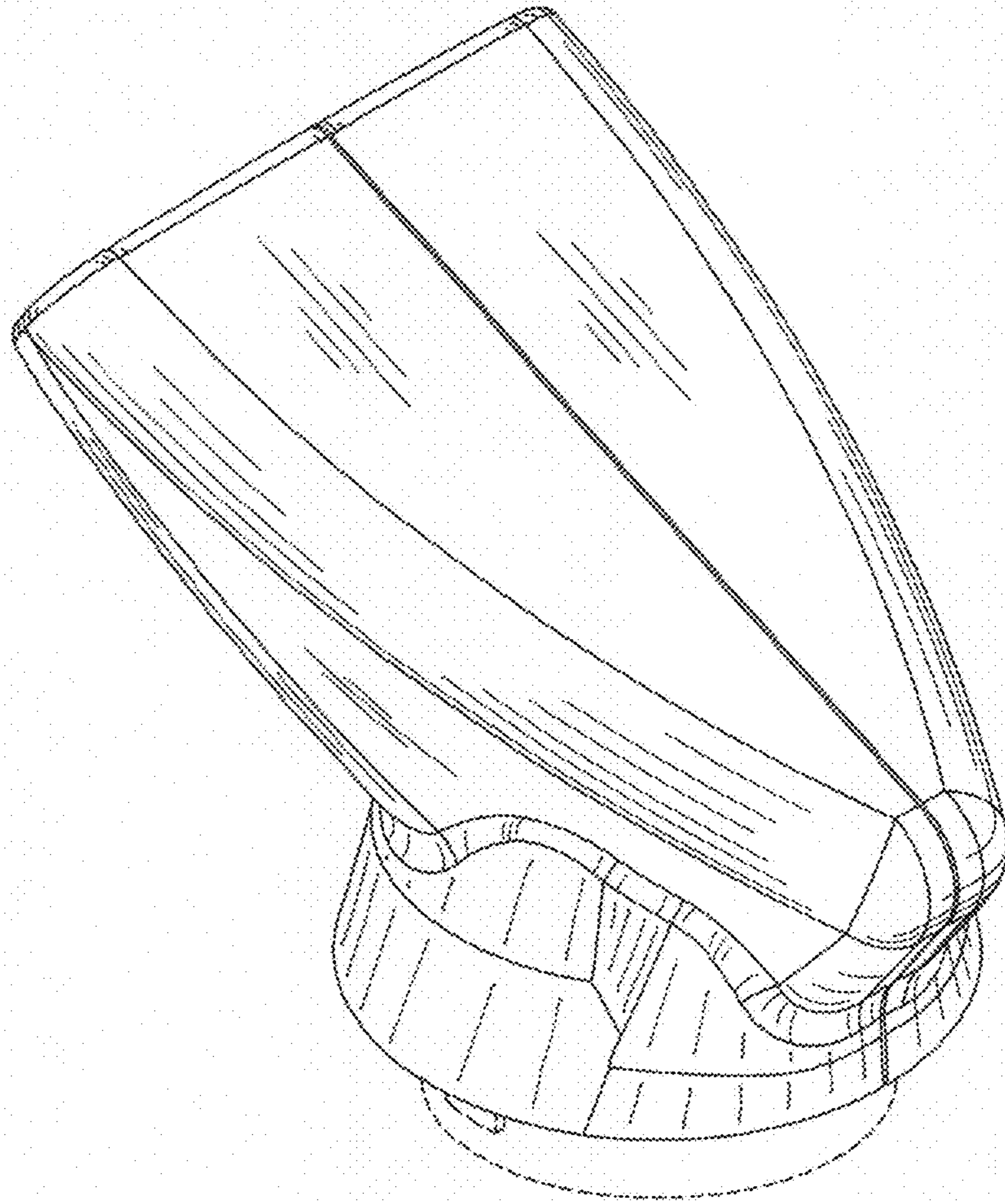


FIG. 3

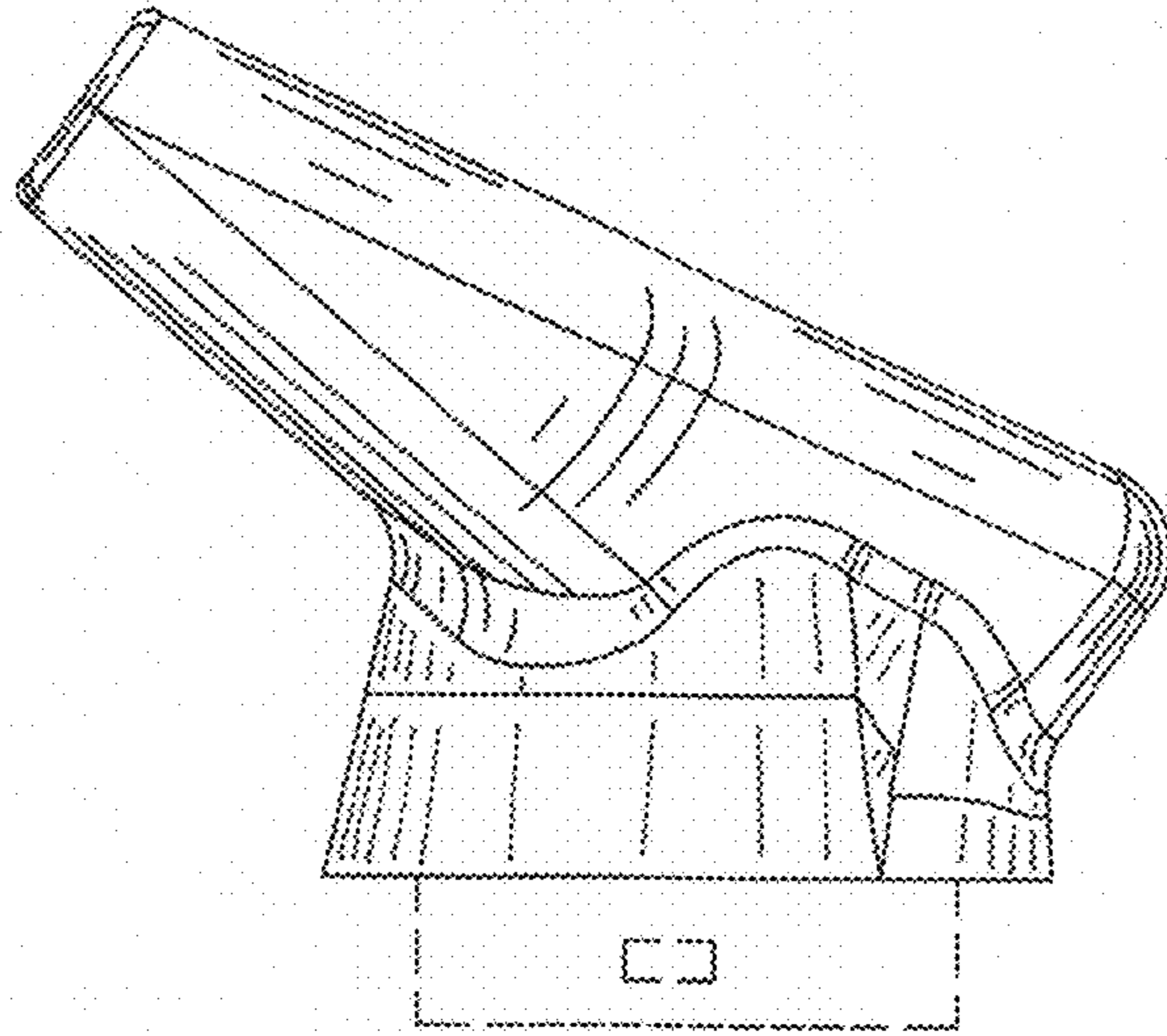


FIG. 4

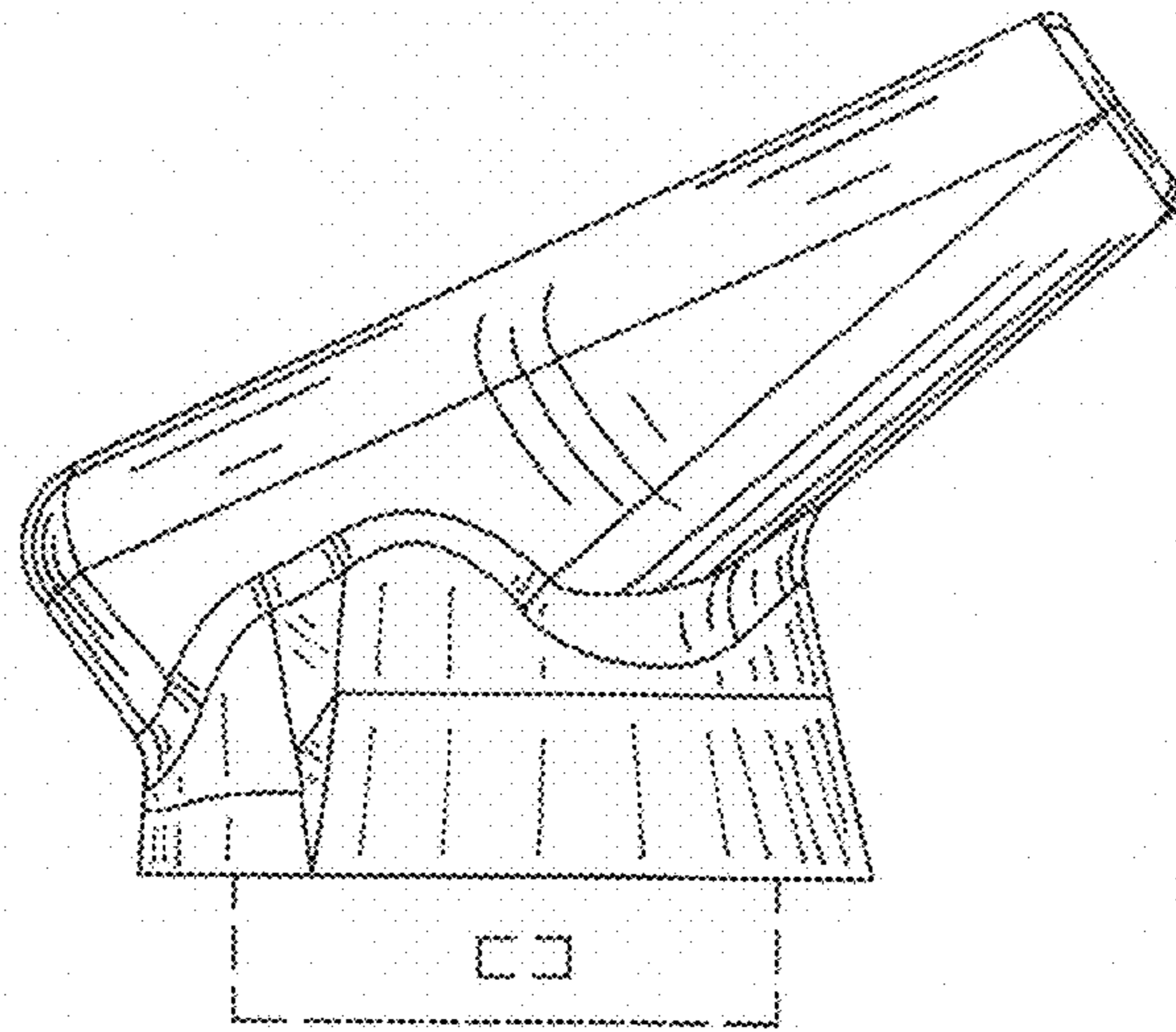


FIG. 5

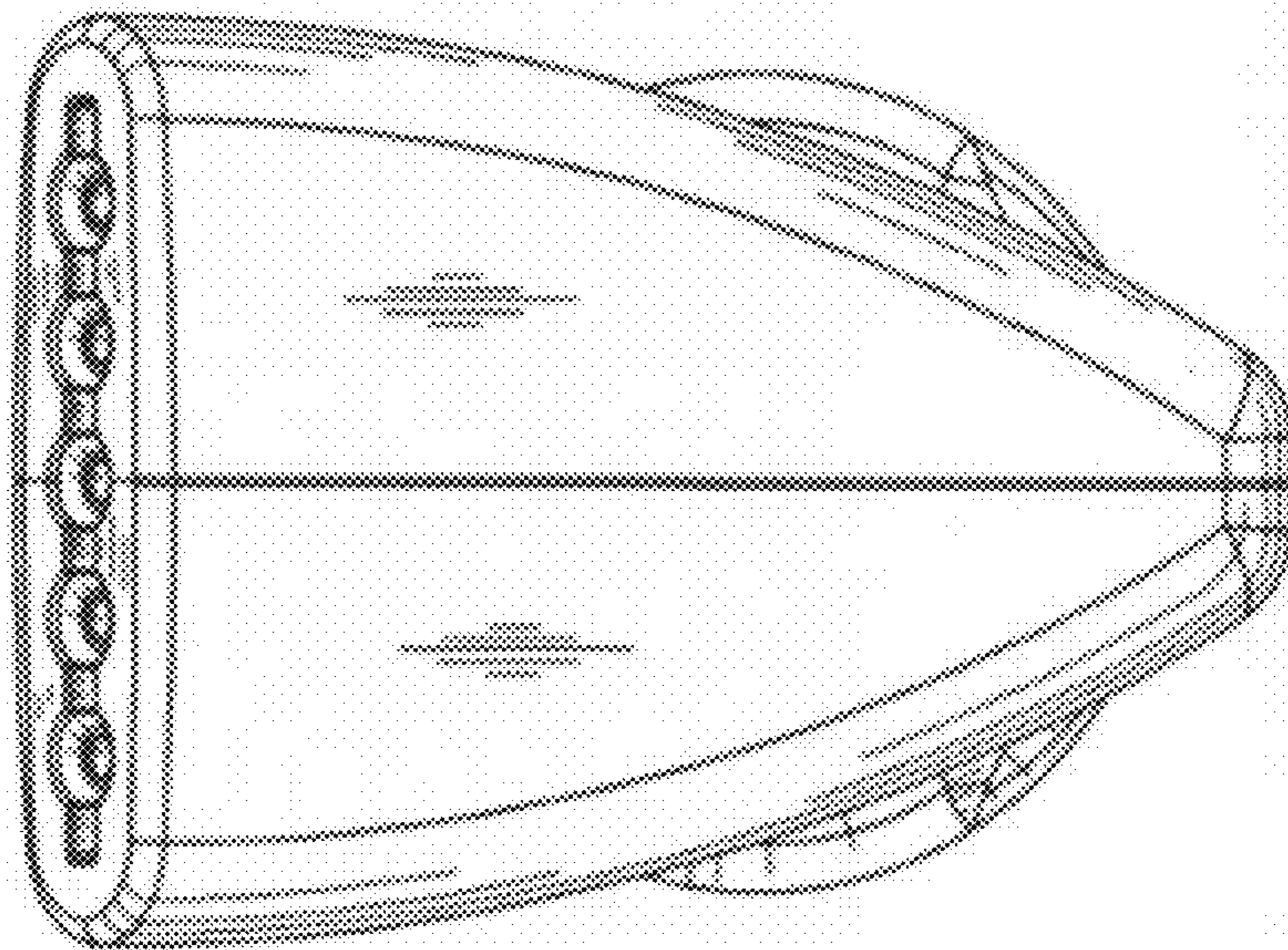


FIG. 6

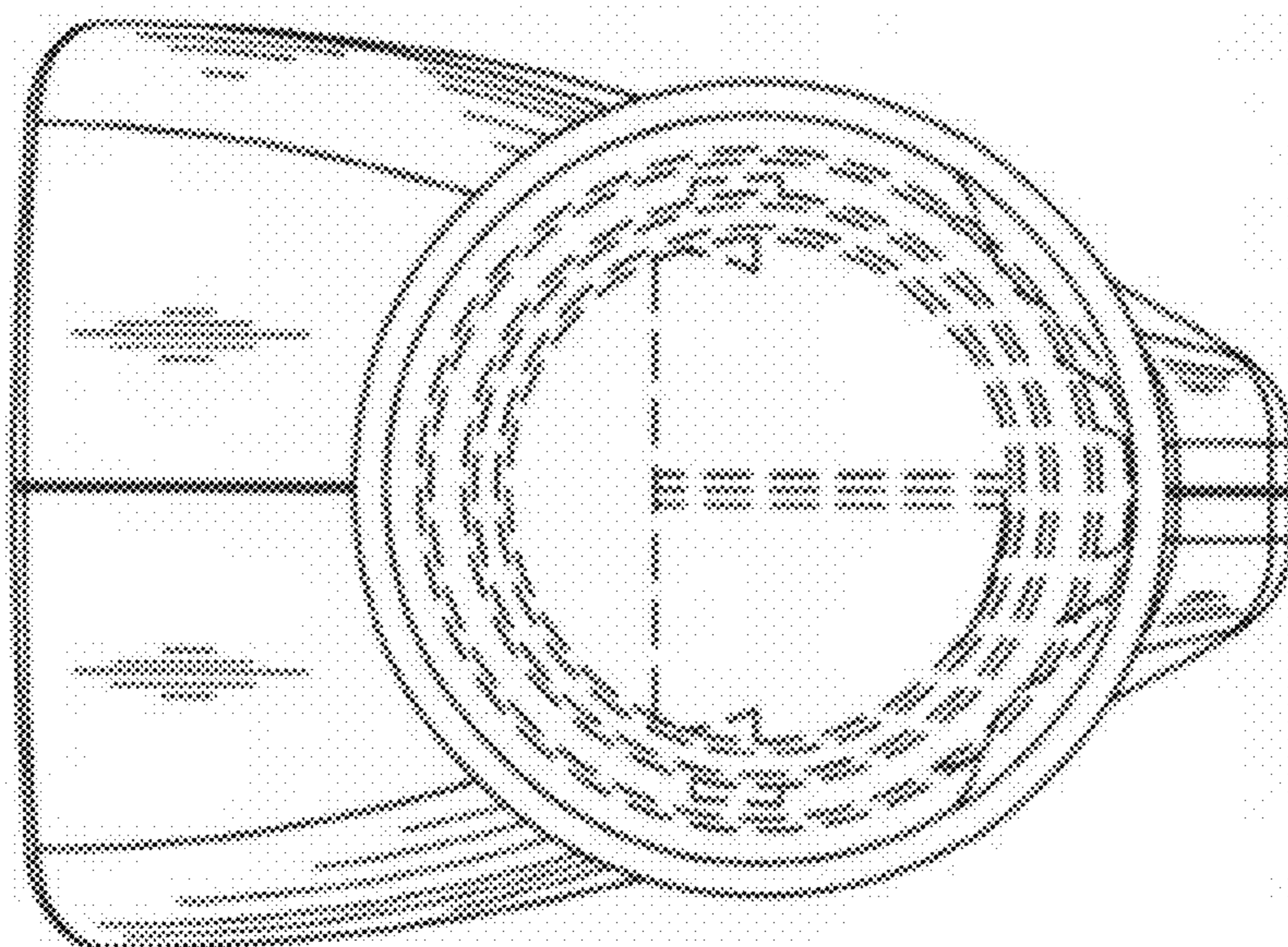


FIG. 7