



US00D821667S

(12) **United States Design Patent**  
**Nam et al.**

(10) **Patent No.:** **US D821,667 S**  
(45) **Date of Patent:** **\*\* Jun. 26, 2018**

(54) **VACUUM CLEANER**

(56) **References Cited**

(71) Applicant: **LG ELECTRONICS INC.**, Seoul (KR)

U.S. PATENT DOCUMENTS

(72) Inventors: **Bohyun Nam**, Seoul (KR); **Jinju Kim**, Seoul (KR); **Namhee Kim**, Seoul (KR); **Hyeonjeong An**, Seoul (KR); **Sehwan Bae**, Seoul (KR)

D298,875 S	*	12/1988	Nakamura	.....	D32/18
D668,010 S	*	9/2012	Stickney	.....	D32/18
D668,823 S	*	10/2012	Stickney	.....	D32/18
D731,130 S	*	6/2015	Dyson	.....	D32/18
D731,134 S	*	6/2015	Dyson	.....	D32/31
D731,136 S	*	6/2015	Yun	.....	D32/34
D731,720 S	*	6/2015	Gidwell	.....	D32/18
D739,102 S	*	9/2015	Dyson	.....	D32/18

(73) Assignee: **LG Electronics Inc.**, Seoul (KR)

(Continued)

(\*\*) Term: **15 Years**

*Primary Examiner* — Darlington Ly

(21) Appl. No.: **35/501,984**

(74) *Attorney, Agent, or Firm* — Birch, Stewart, Kolasch & Birch, LLP

(22) Filed: **Jun. 1, 2016**

(80) **Hague Agreement Data**

(57) **CLAIM**

Int. Filing Date: **Jun. 1, 2016**  
Int. Reg. No.: **DM/091007**  
Int. Reg. Date: **Jun. 1, 2016**  
Int. Reg. Pub. Date: **Dec. 2, 2016**

The ornamental design for a vacuum cleaner, as shown and described.

(30) **Foreign Application Priority Data**

**DESCRIPTION**

Dec. 1, 2015 (KR) ..... 30-2015-0060929

(51) **LOC (11) Cl.** ..... **15-05**

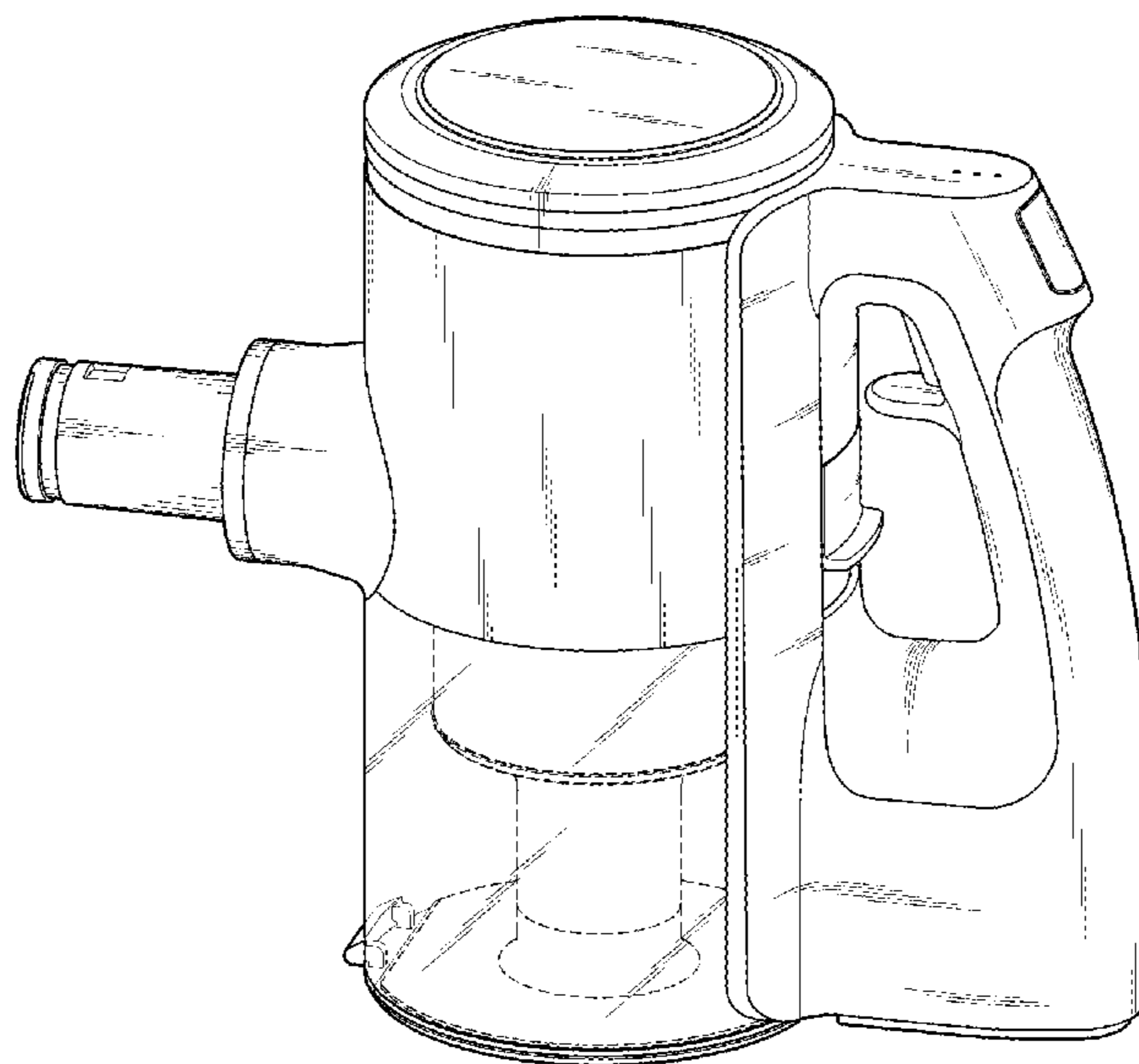
(52) **U.S. Cl.**  
USPC ..... **D32/18**

(58) **Field of Classification Search**  
USPC ..... D32/17-18, 21-22, 31, 34  
CPC ..... B32B 3/00; A47L 5/06; A47L 5/24; A47L 5/26; A47L 9/12; A47L 9/127; A47L 9/1454; A47L 9/1481; A47L 9/16; A47L 9/1633; A47L 9/1641; A47L 9/165; A47L 9/1658; A47L 9/1666; A47L 9/1683; A47L 9/2857; A47L 9/2842; A47L 9/2884; A47L 9/322

1. Vacuum cleaner  
1.1 is a top, rear, and right side perspective view of a vacuum cleaner showing our new design;  
1.2 is a front elevation view thereof;  
1.3 is a rear elevation view thereof;  
1.4 is a left side elevation view thereof;  
1.5 is a right side elevation view thereof;  
1.6 is a top plan view thereof;  
1.7 is a bottom plan view thereof;  
1.8 is a top, rear, and right side perspective view thereof; and  
1.9 is a top, rear, and right side perspective view thereof, wherein exemplary accessory elements are shown attached. The broken lines in the reproductions illustrate portions of the vacuum cleaner that form no part of the claimed design.

See application file for complete search history.

**1 Claim, 9 Drawing Sheets**



(56)

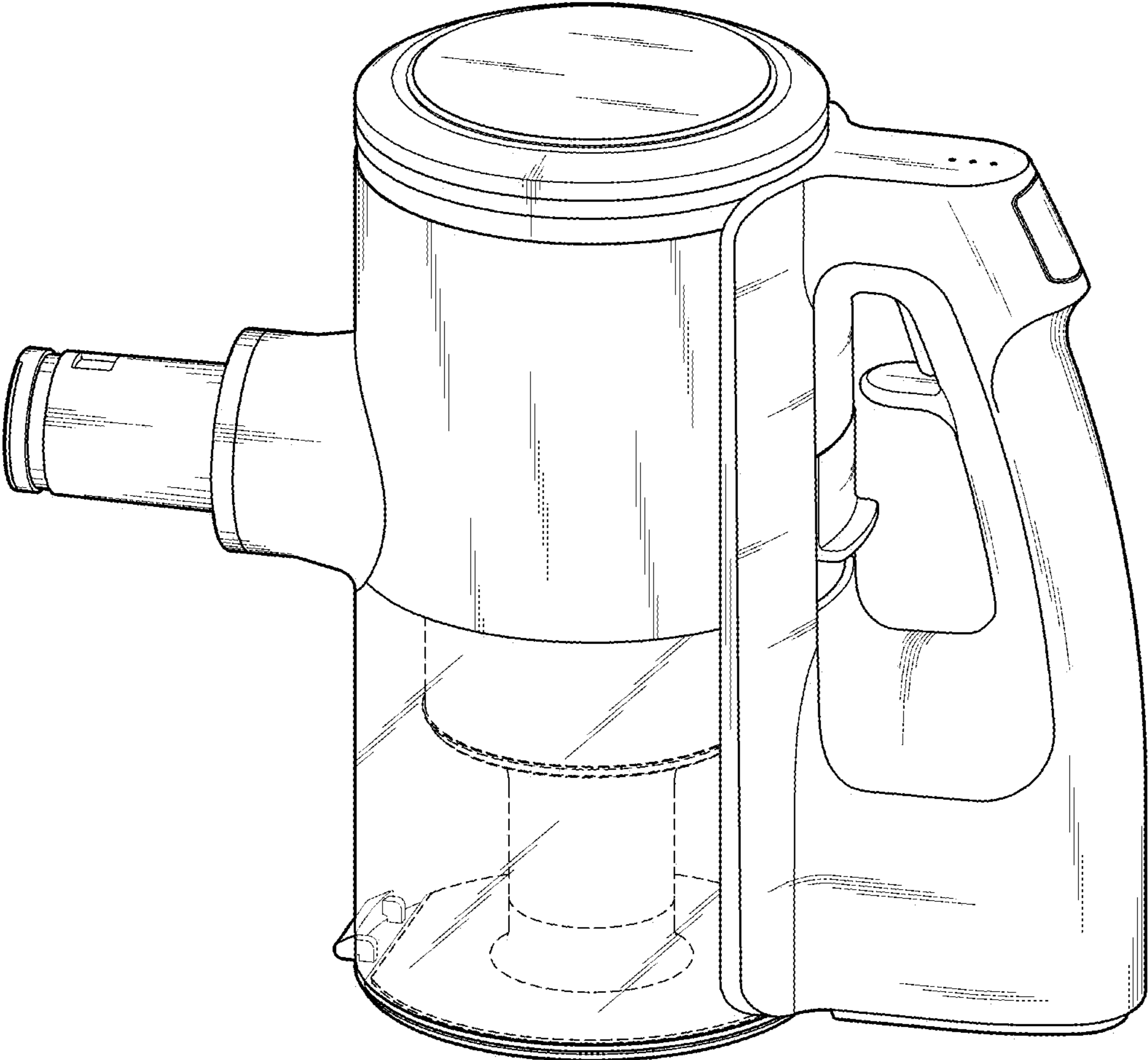
**References Cited**

U.S. PATENT DOCUMENTS

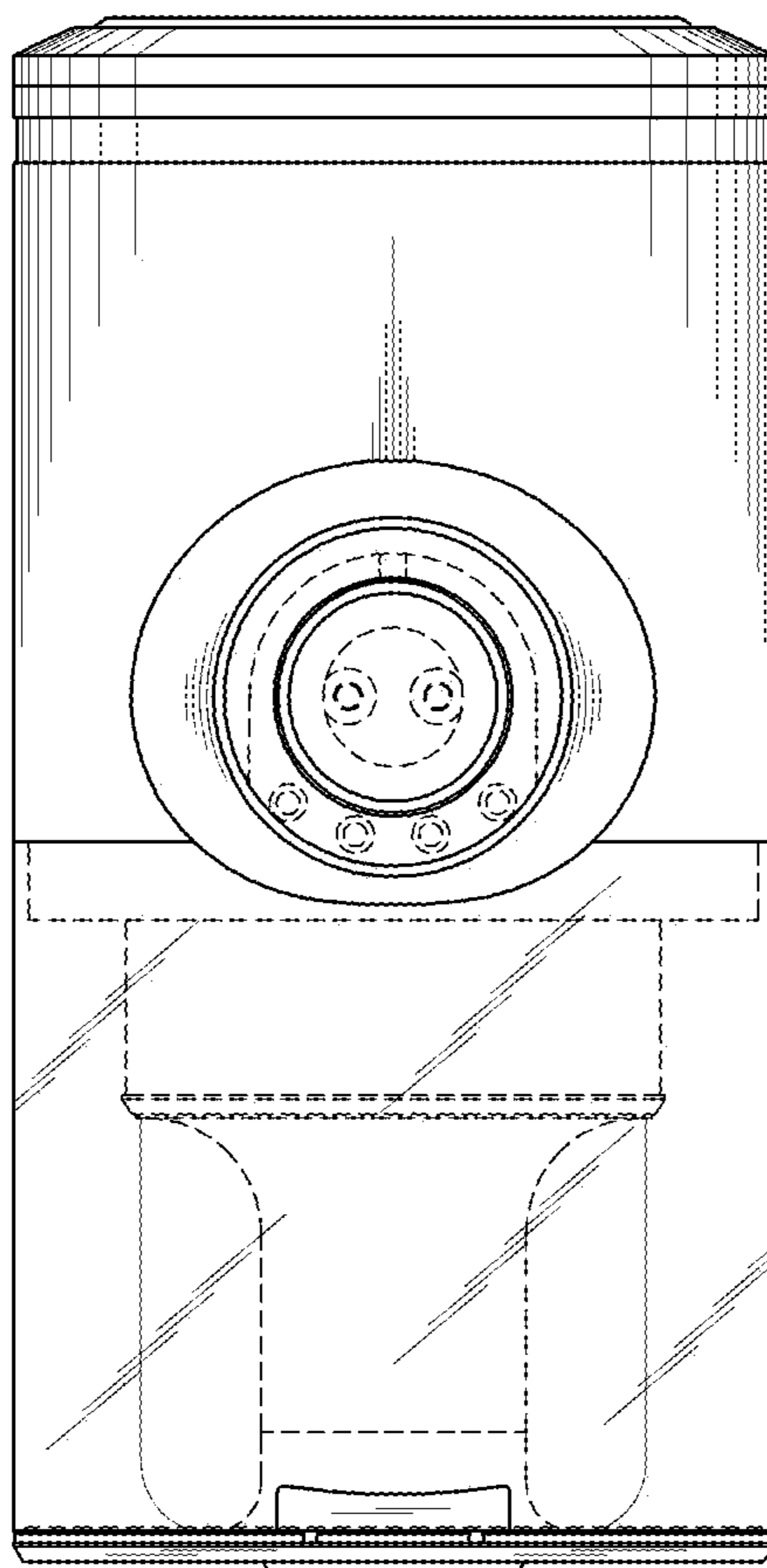
D741,558 S \* 10/2015 Kerr ..... D32/18  
D743,123 S \* 11/2015 Chu ..... D32/18  
D745,231 S \* 12/2015 Niedzwecki ..... D32/18  
D747,571 S \* 1/2016 Dyson ..... D32/18  
D747,572 S \* 1/2016 Kerr ..... D32/18  
D780,387 S \* 2/2017 Bu ..... D32/18  
D781,011 S \* 3/2017 Bu ..... D32/18  
D792,665 S \* 7/2017 Salagnac ..... D32/18  
9,711,986 B2 \* 7/2017 Sunderland ..... H02J 7/0063  
D798,009 S \* 9/2017 Salagnac ..... D32/18  
D800,980 S \* 10/2017 Carter ..... D32/21  
9,788,697 B2 \* 10/2017 Peace ..... A47L 9/1666  
2014/0366306 A1 \* 12/2014 Clothier ..... A47L 9/2831  
15/319  
2015/0155606 A1 \* 6/2015 Stickney ..... A47L 9/2884  
429/90  
2017/0209012 A1 \* 7/2017 Peters ..... A47L 9/1683  
2017/0296007 A1 \* 10/2017 Warren ..... A47L 5/24

\* cited by examiner

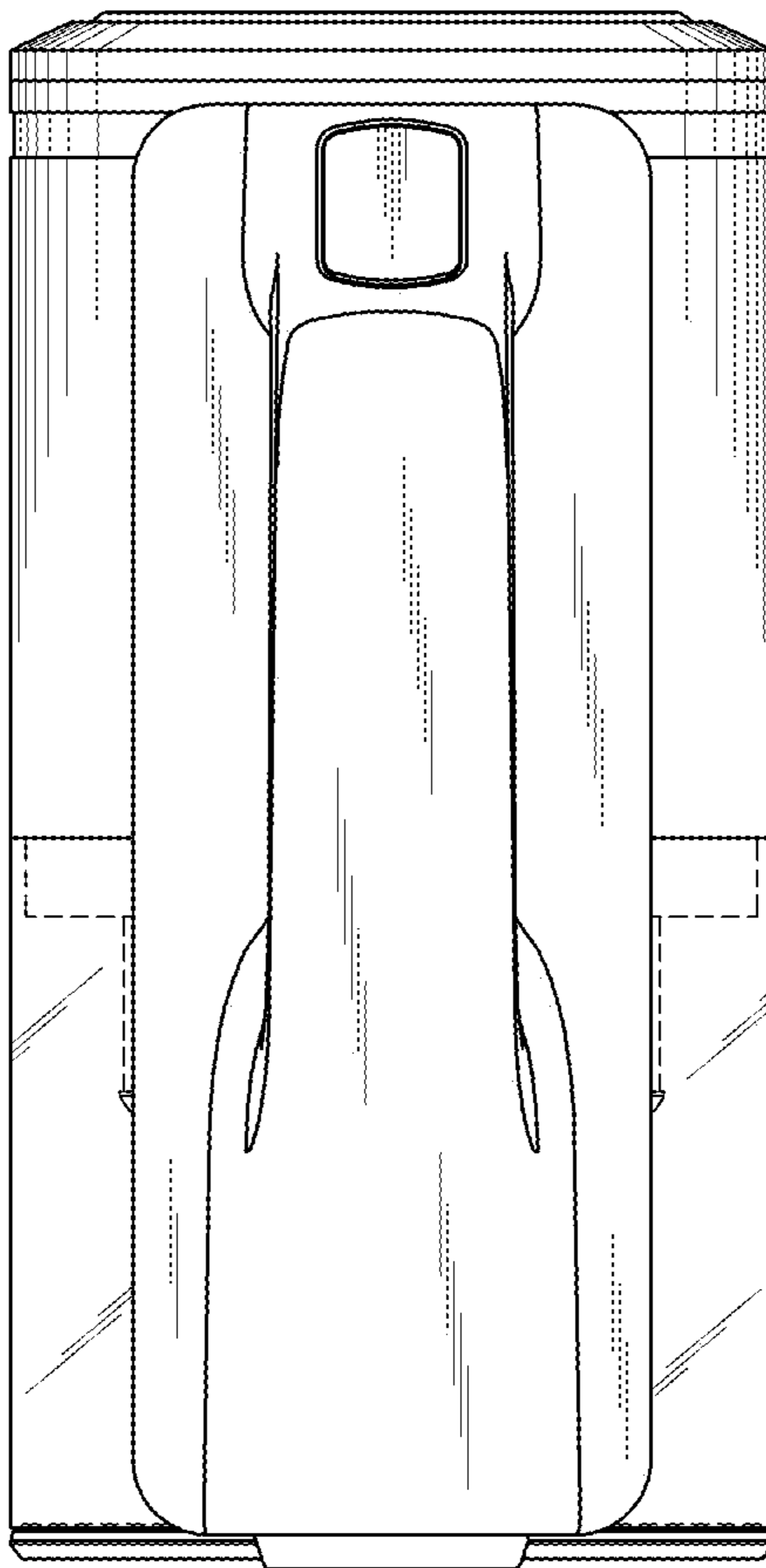
*1.1*



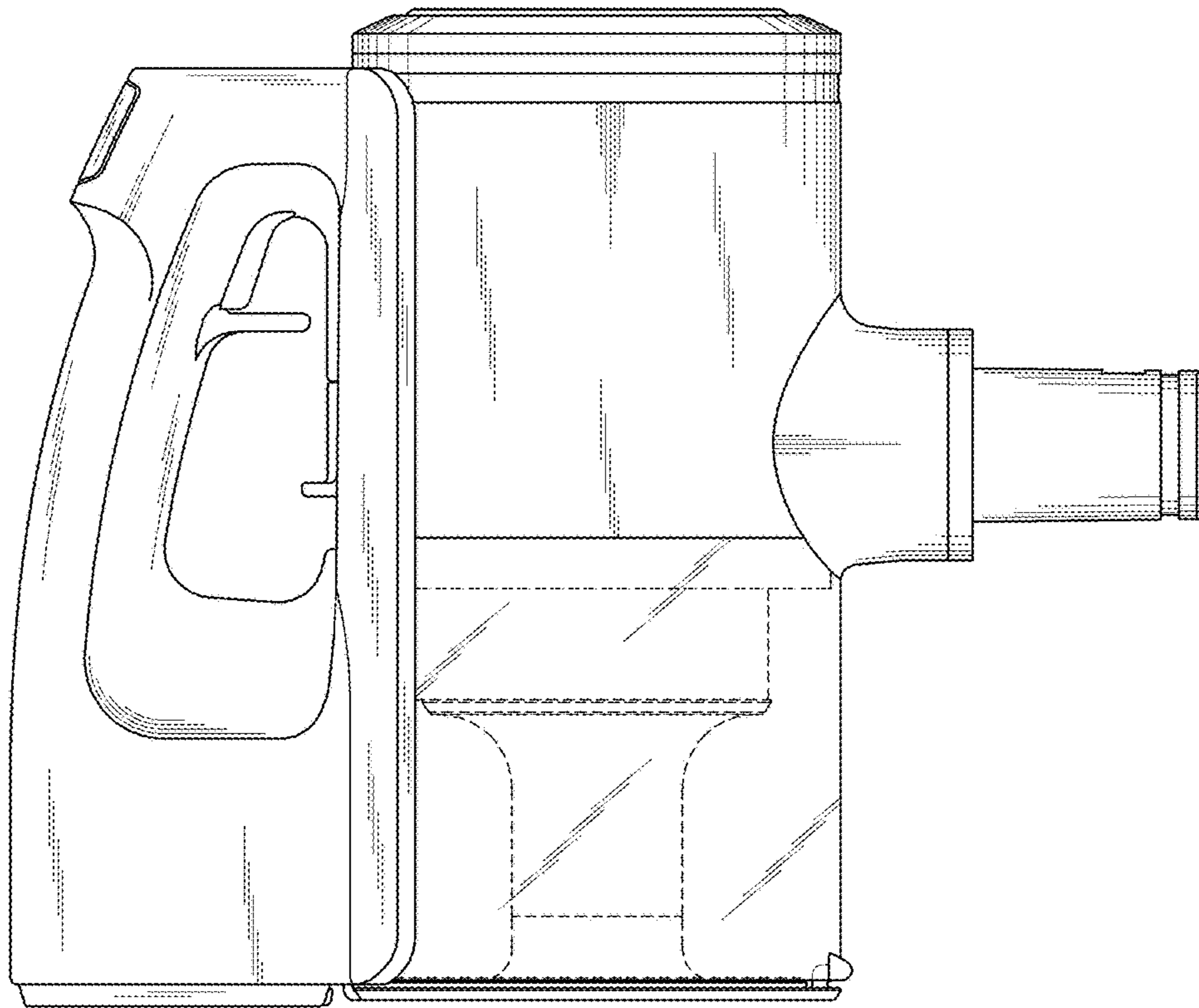
1.2



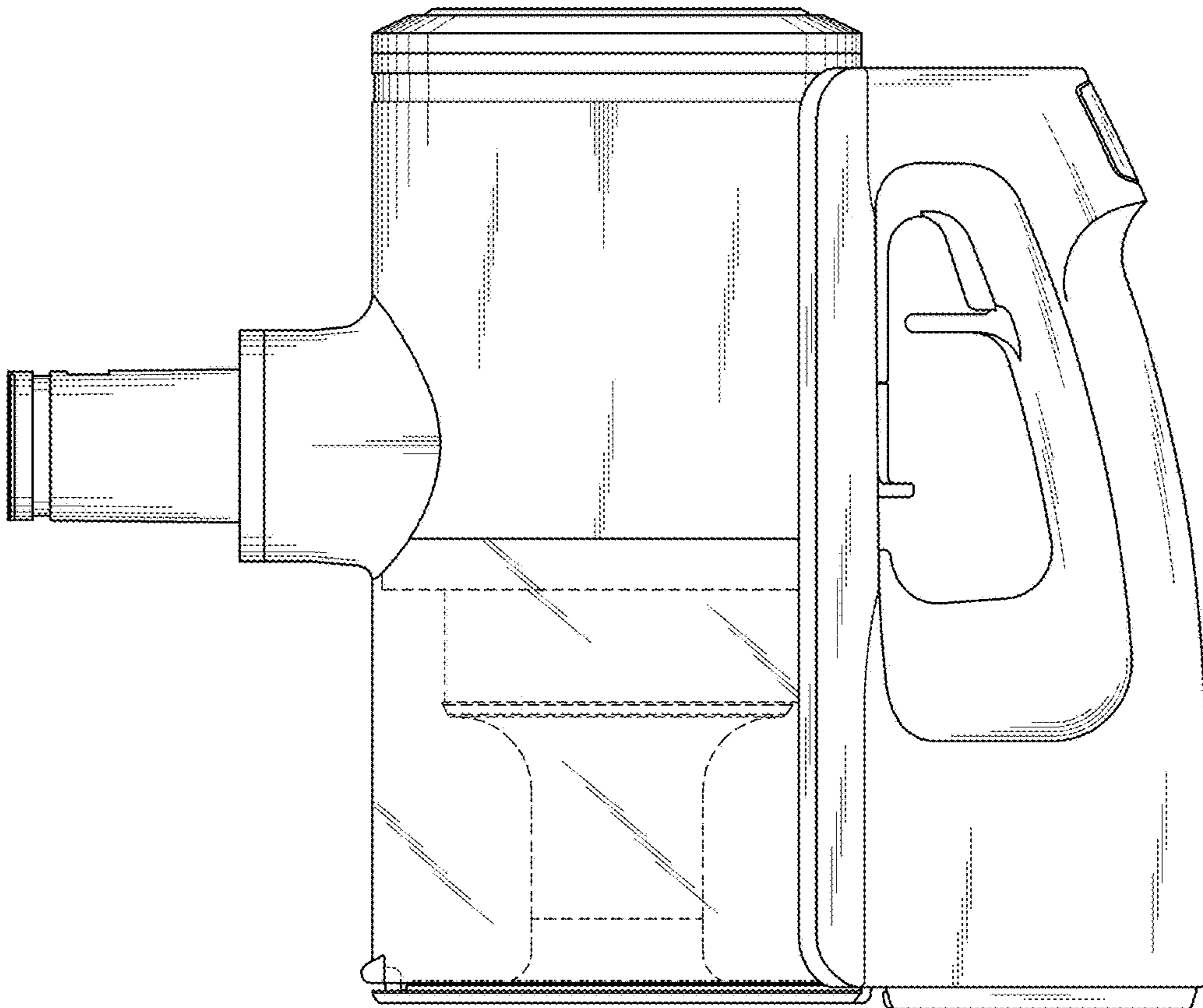
*1.3*



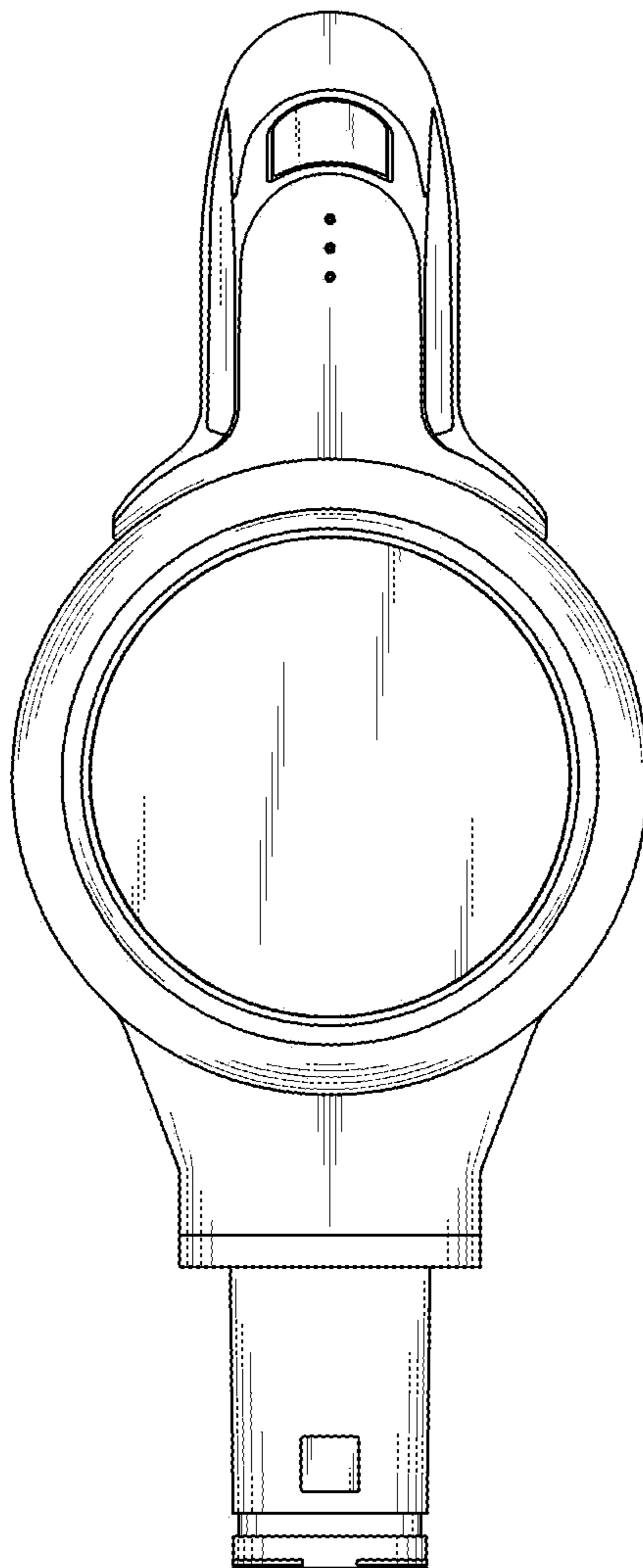
1.4



1.5

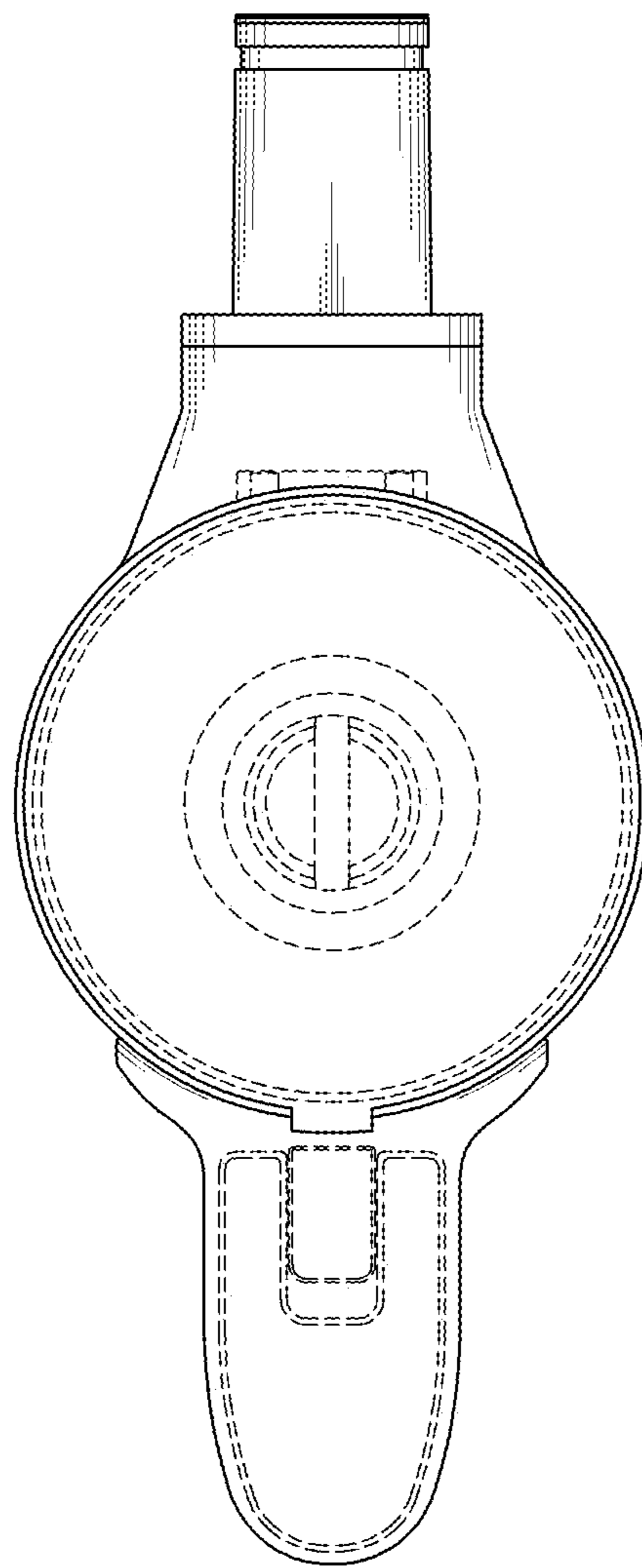


1.6

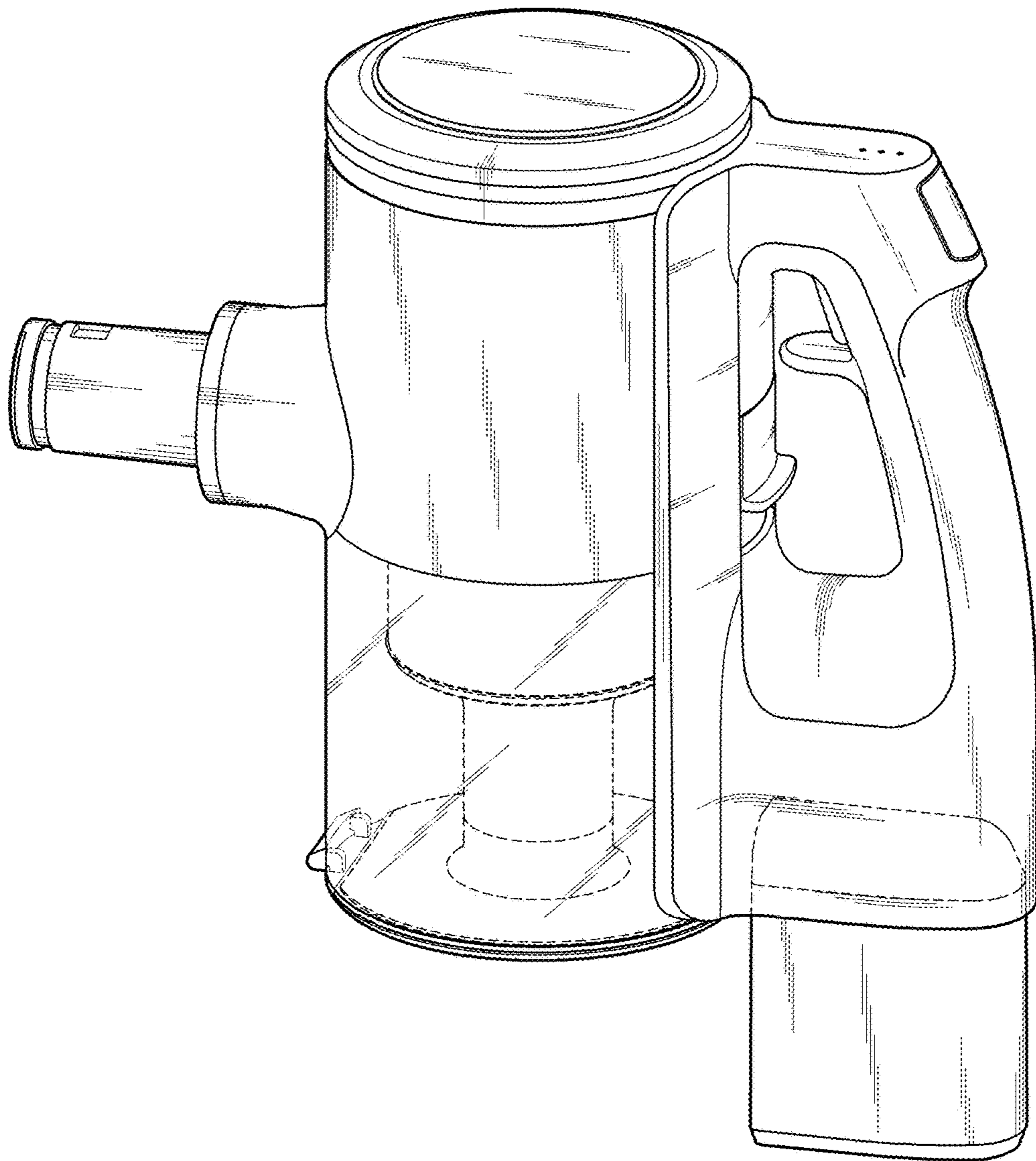




1.7



1.8



1.9

