



US00D821666S

(12) **United States Design Patent**
Bouchonnet et al.

(10) **Patent No.:** **US D821,666 S**
(45) **Date of Patent:** **** Jun. 26, 2018**

- (54) **DISHWASHER**
- (71) Applicant: **WHIRLPOOL CORPORATION**,
Benton Harbor, MI (US)
- (72) Inventors: **William Bouchonnet**, St. Joseph, MI
(US); **Jason Cackley**, South Bend, IN
(US); **Ameresh B. Viswanathan**, St.
Joseph, MI (US)
- (73) Assignee: **Whirlpool Corporation**, Benton
Harbor, MI (US)
- (**) Term: **15 Years**
- (21) Appl. No.: **29/586,042**
- (22) Filed: **Nov. 30, 2016**
- (51) **LOC (11) Cl.** **15-05**
- (52) **U.S. Cl.**
USPC **D32/2**
- (58) **Field of Classification Search**
USPC D32/2, 1; D15/91; D7/405-406
CPC A47L 15/0076; A47L 15/0078; A47L
15/0081; F24C 15/008; G01J 1/44; A47J
37/0664; F21V 23/0464; F21V 33/0044;
H04N 5/2257
See application file for complete search history.

- D732,759 S 6/2015 Roberson et al.
- D732,761 S * 6/2015 Roberson D32/3
- D734,902 S 7/2015 Eng et al.
- D741,031 S 10/2015 Roberson et al.

* cited by examiner

Primary Examiner — Cynthia Ramirez
Assistant Examiner — Laura H Yu
(74) *Attorney, Agent, or Firm* — Price Heneveld LLP

(57) **CLAIM**

The ornamental design for a dishwasher, as shown and described.

DESCRIPTION

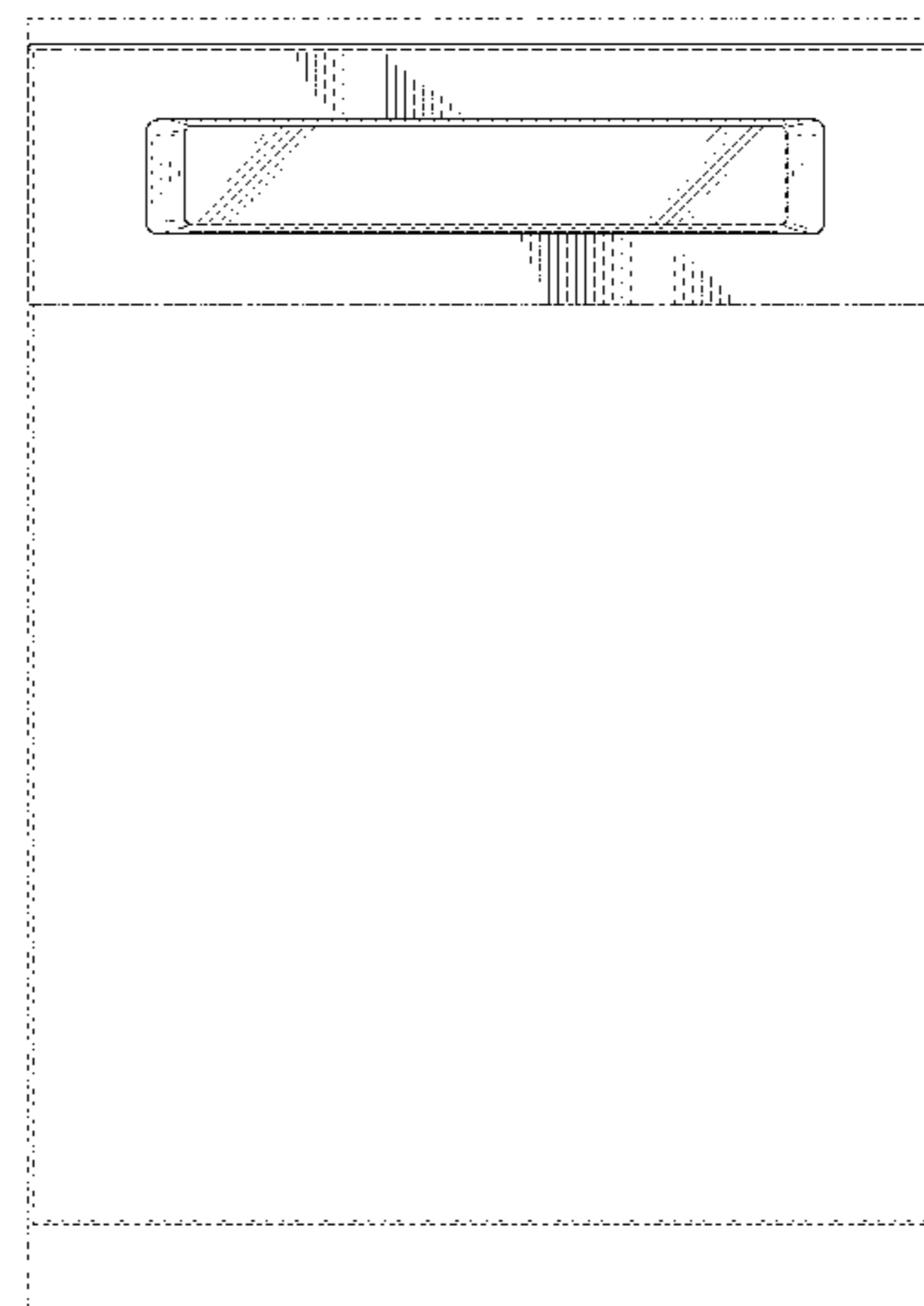
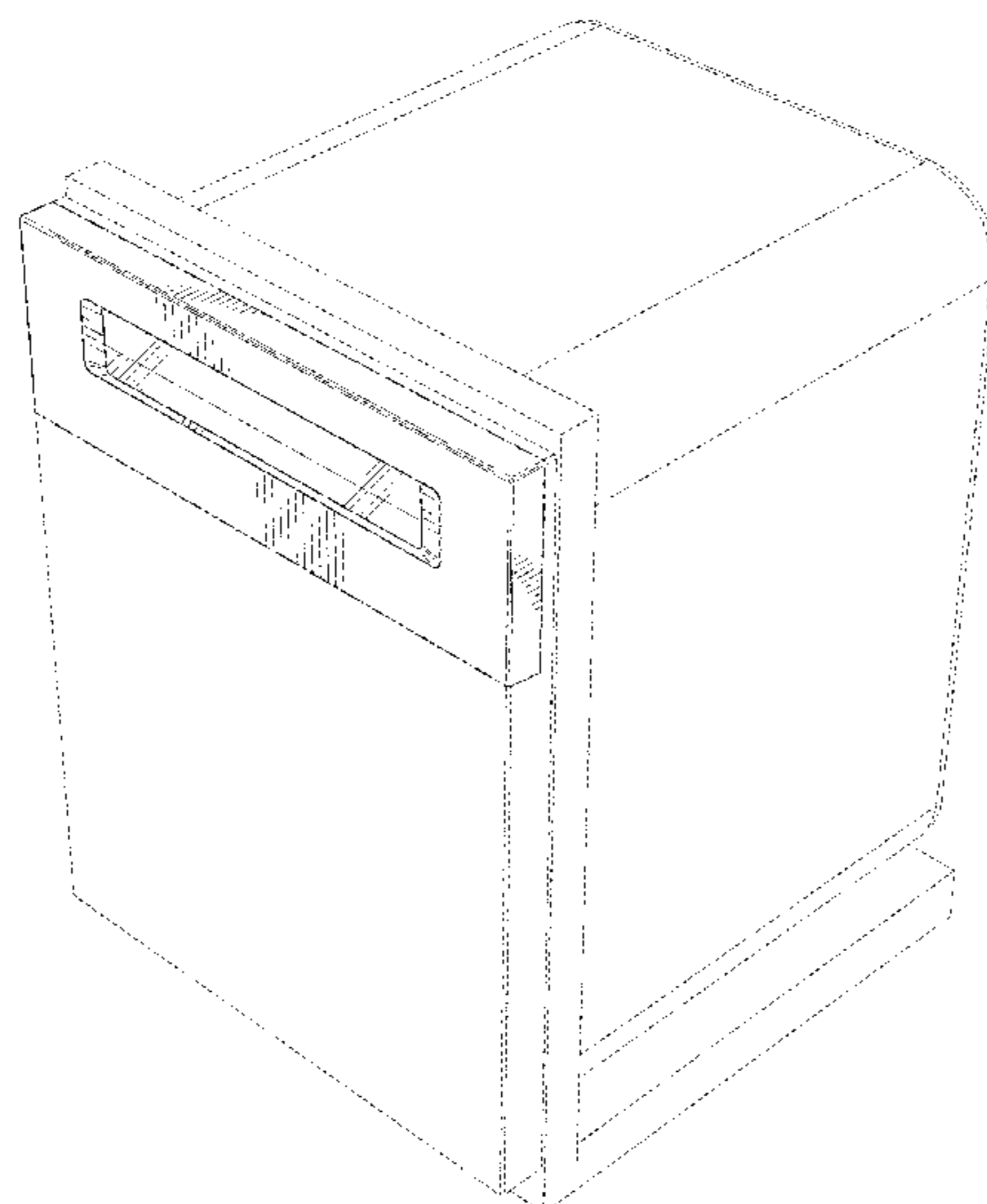
FIG. 1 is a front perspective view of a dishwasher according to our design;
 FIG. 2 is a front elevation view thereof;
 FIG. 3 is a left-side elevation view thereof;
 FIG. 4 is a right side elevation view thereof;
 FIG. 5 is a top plan view thereof;
 FIG. 6 is a bottom plan view thereof.
 FIG. 7 is another front perspective view that is annotated with lines showing various sections thereof;
 FIG. 8 is a cross-section view of the dishwasher of FIG. 1 taken along line 8-8 in FIG. 7;
 FIG. 9 is a cross-section view thereof taken along line 9-9 in FIG. 7;
 FIG. 10 is a cross-section view thereof taken along line 10-10 in FIG. 7; and,
 FIG. 11 is a cross-section view thereof taken along line 11-11 in FIG. 7.
 The broken line showing of various features is for the purpose of illustrating unclaimed portions of the dishwasher and forms no part of the claimed design.
 Dash-dot lines adjacent un-shaded areas represent bounds of the claimed design and form no part of the claimed design themselves.

1 Claim, 9 Drawing Sheets

(56) **References Cited**

U.S. PATENT DOCUMENTS

- D544,657 S * 6/2007 Jung D32/2
- D627,938 S * 11/2010 Kim D32/2
- D665,956 S * 8/2012 Eng D32/2
- D668,404 S * 10/2012 Eng D32/3
- D673,742 S * 1/2013 Eng D32/2
- D692,628 S * 10/2013 Eng D32/2
- D693,070 S * 11/2013 Eng D32/3
- D699,904 S 2/2014 Eng
- D702,899 S 4/2014 Eng et al.
- D706,502 S * 6/2014 Eng D32/3
- D706,997 S * 6/2014 Eng D32/3



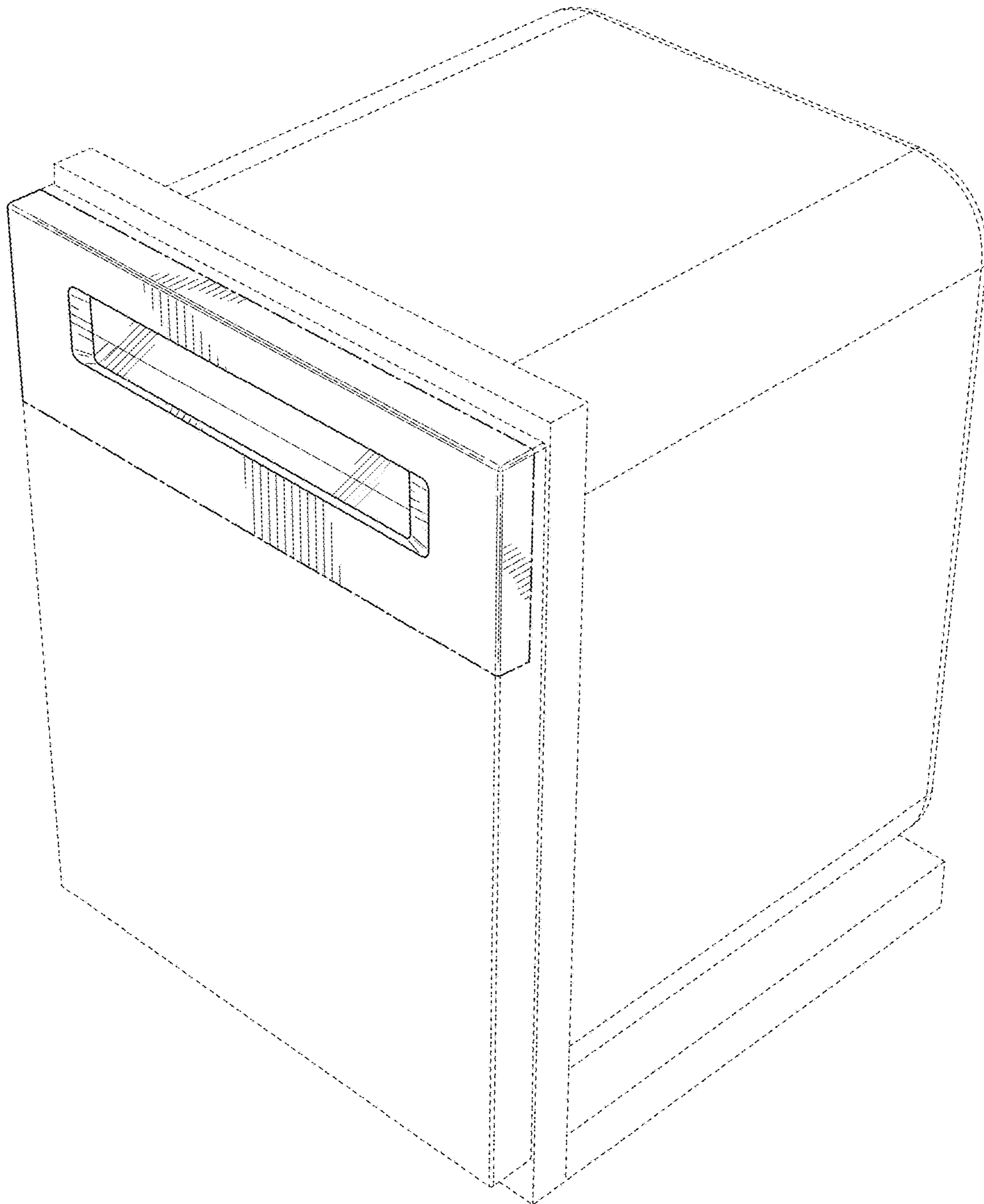


FIG. 1

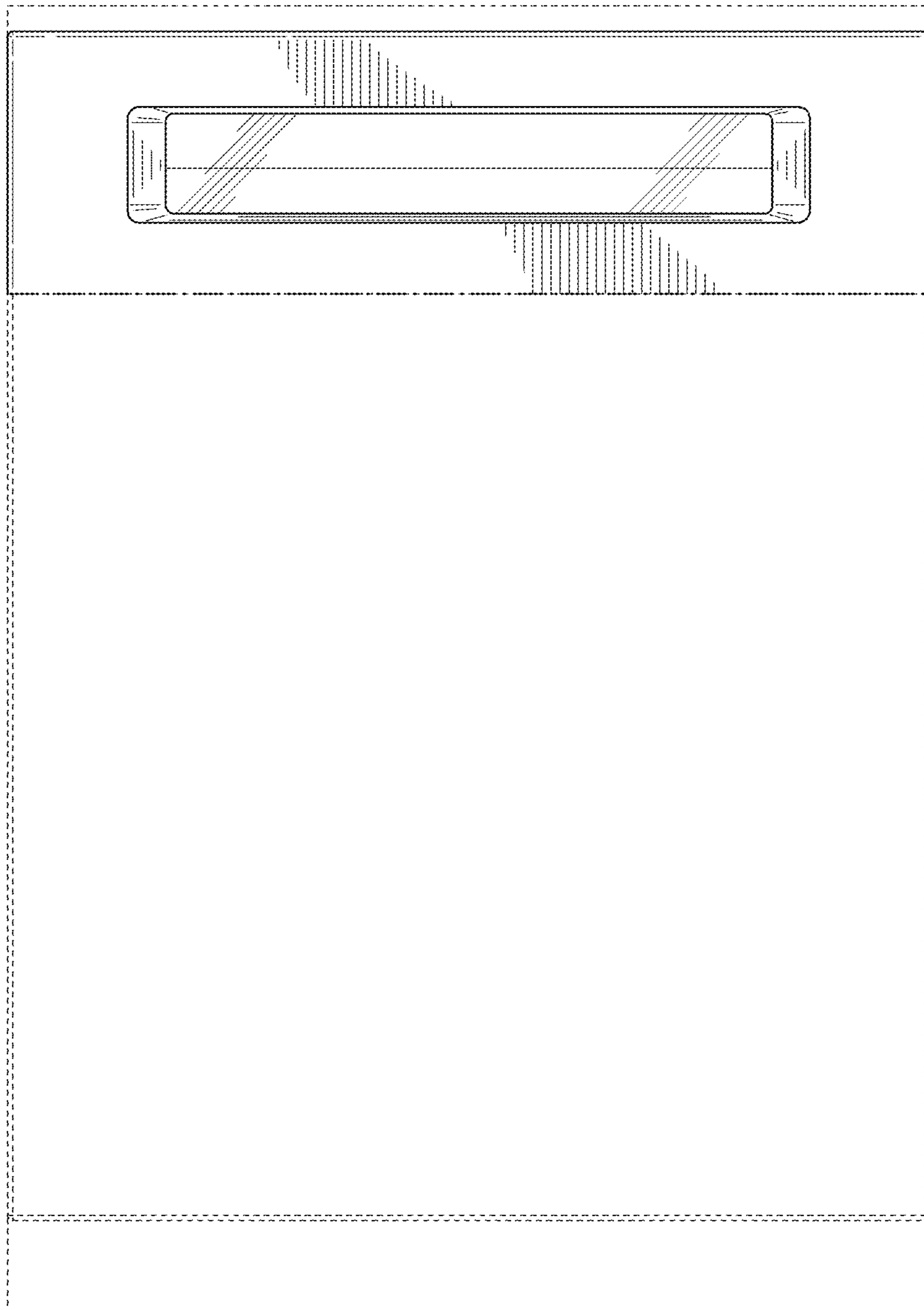


FIG. 2

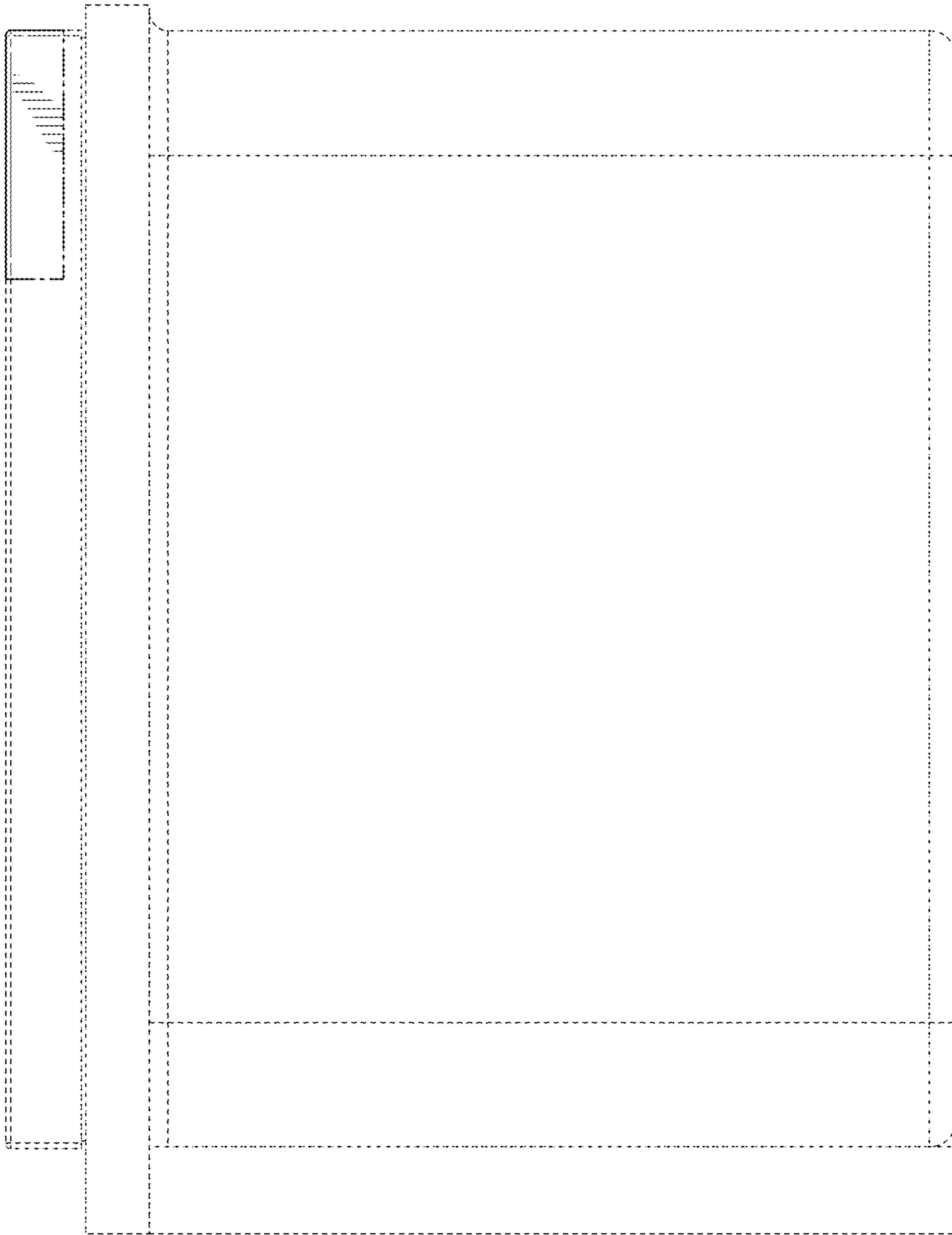


FIG. 3

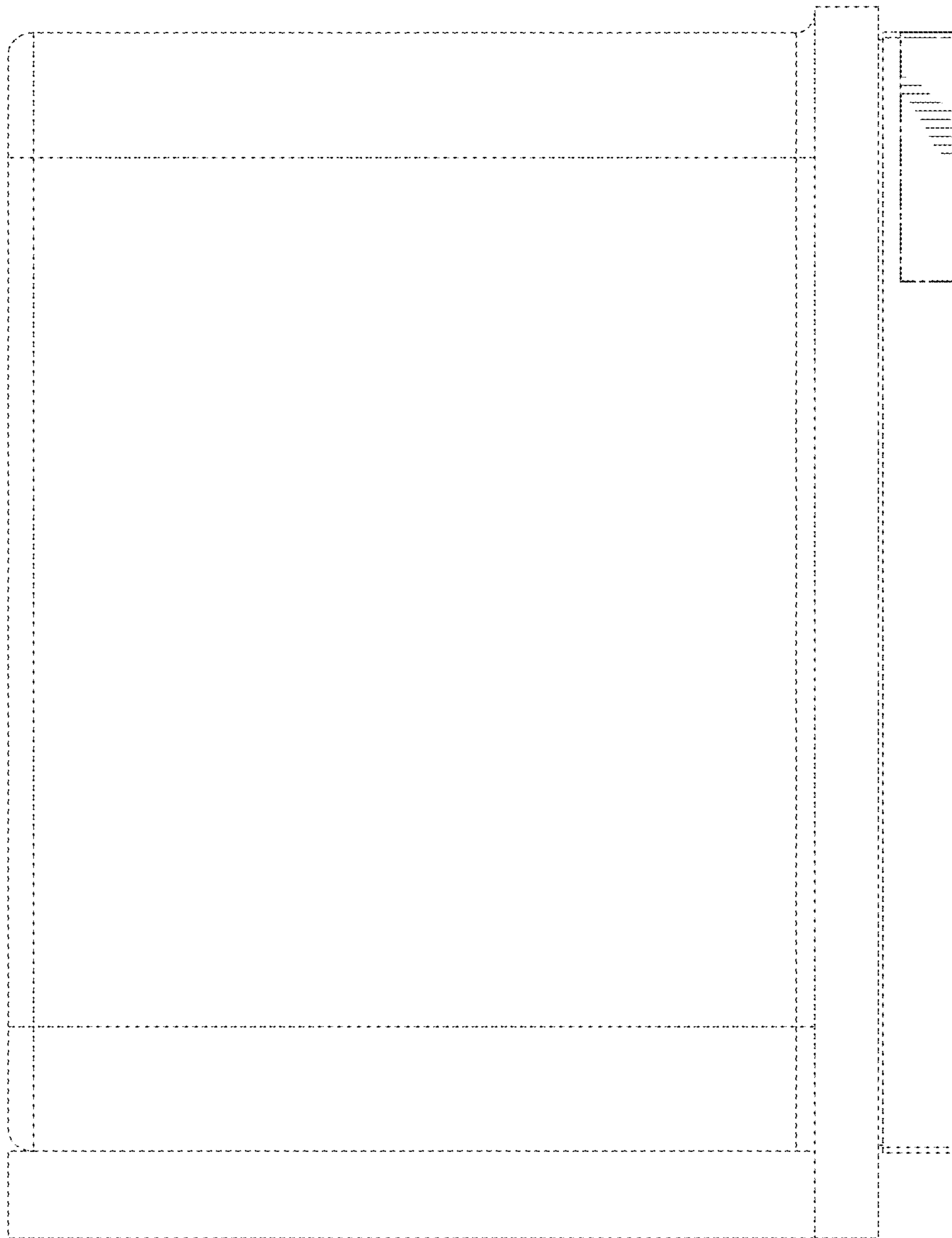


FIG. 4

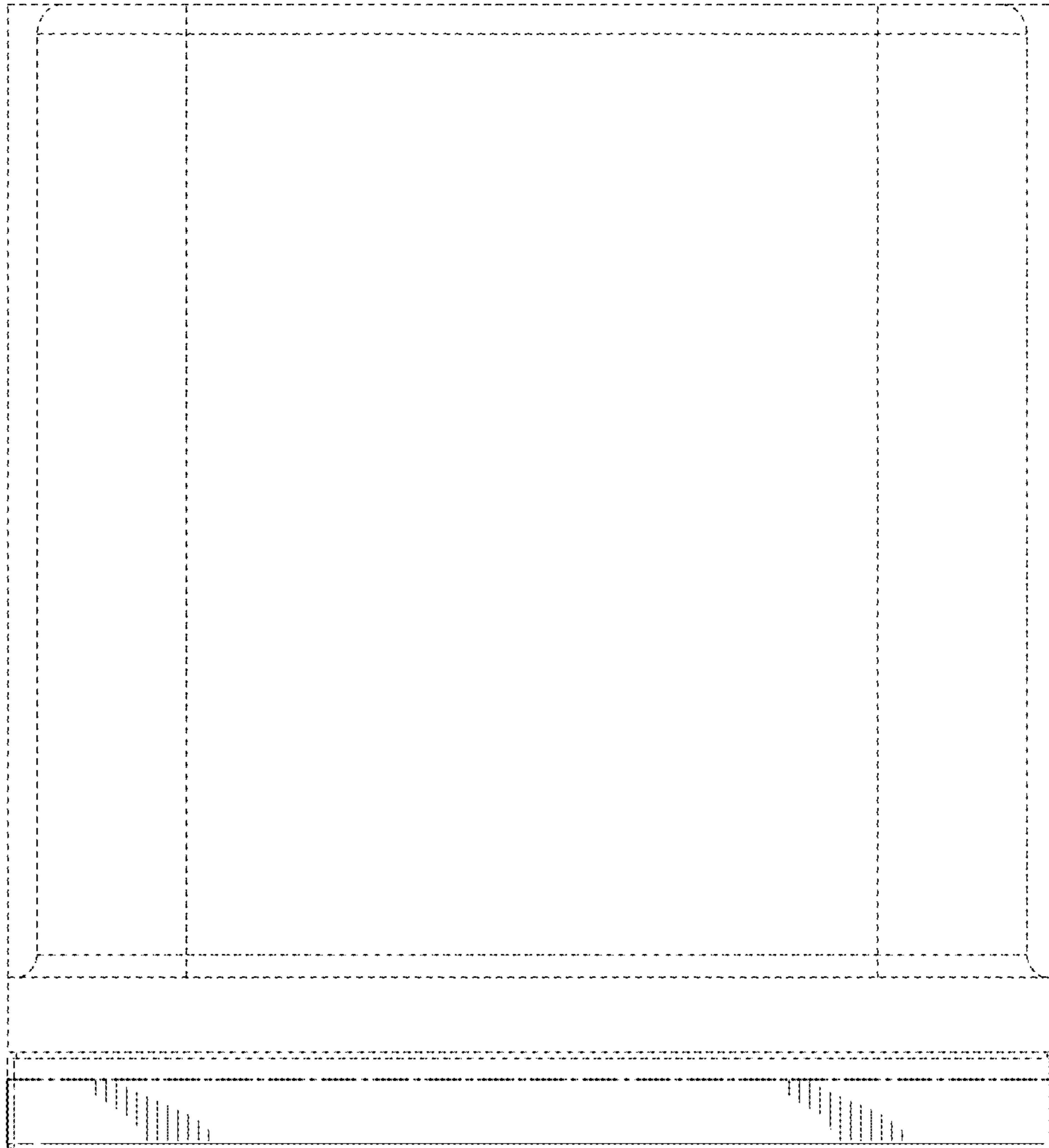


FIG. 5

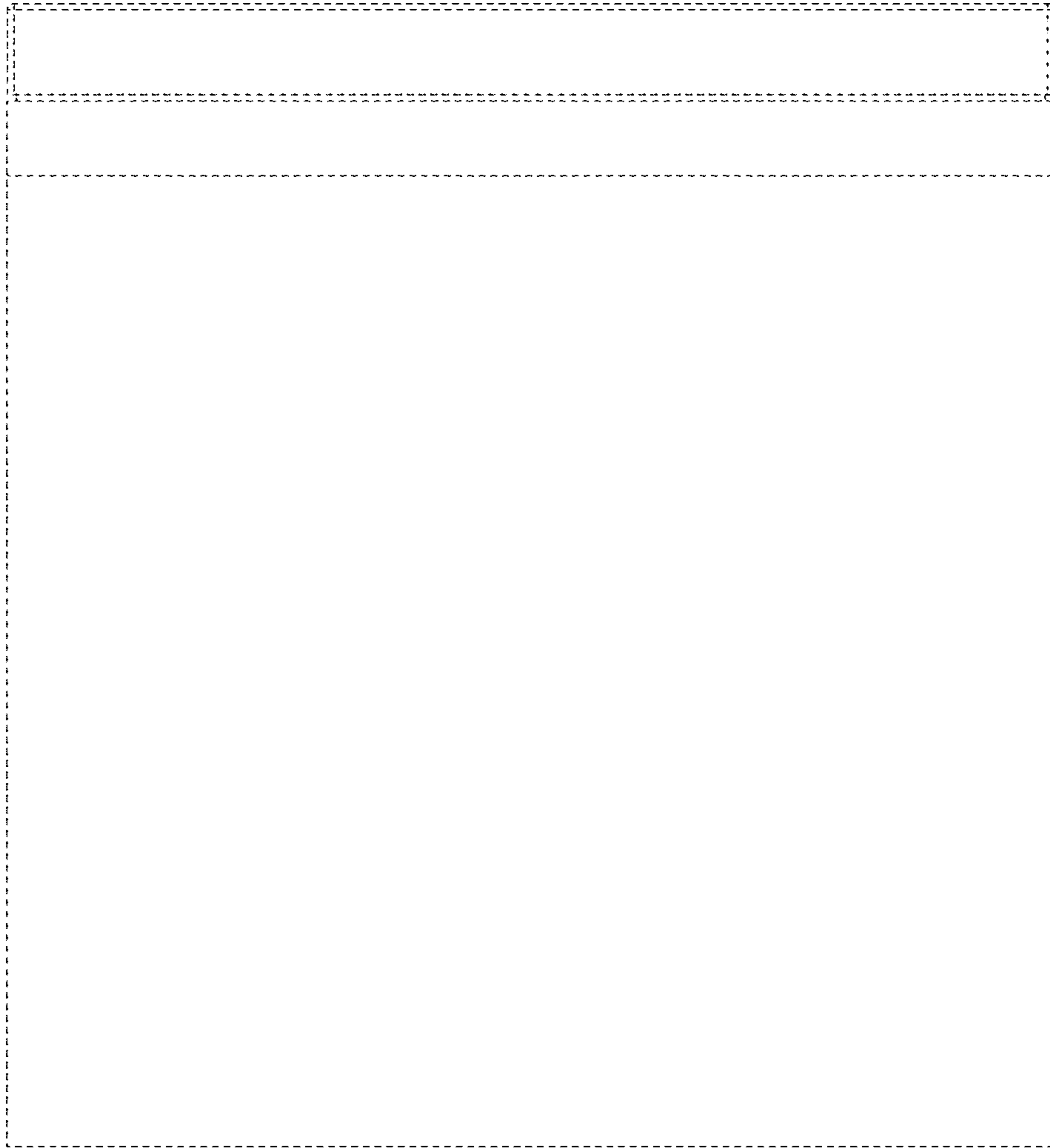


FIG. 6

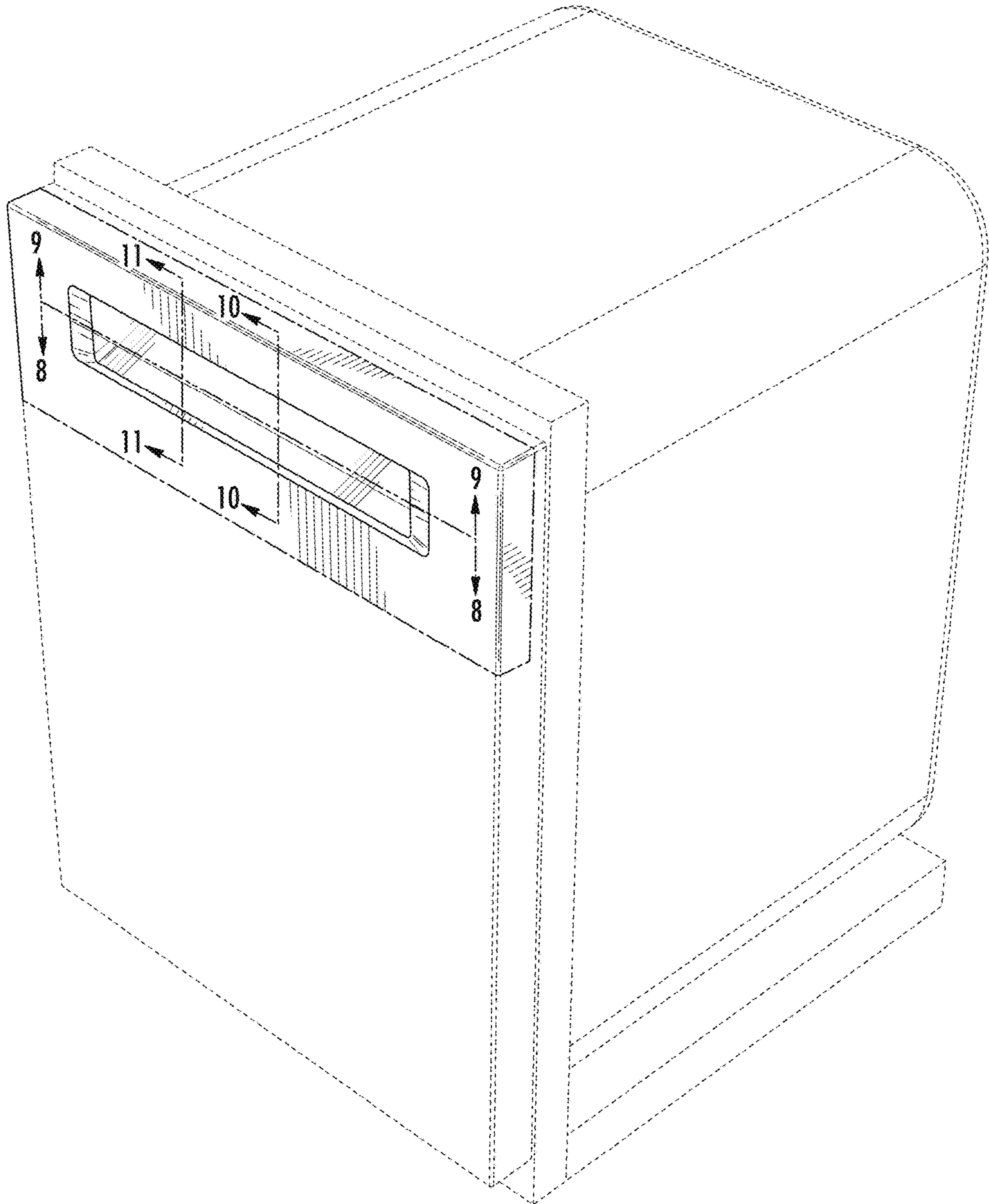


FIG. 7

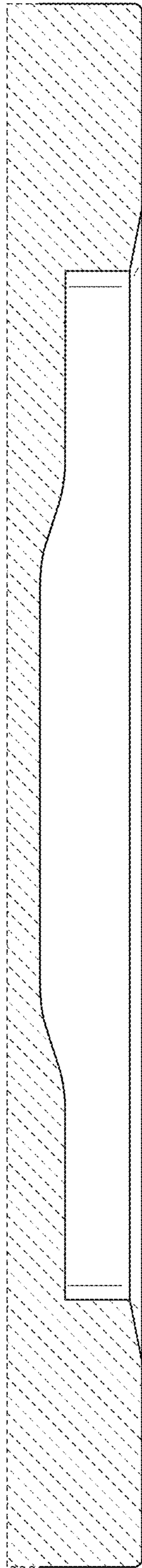


FIG. 8

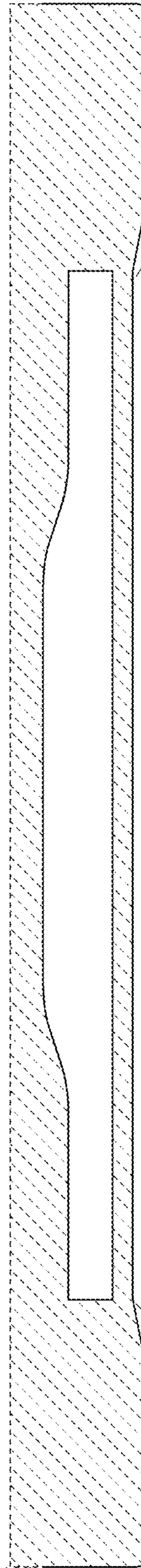


FIG. 9

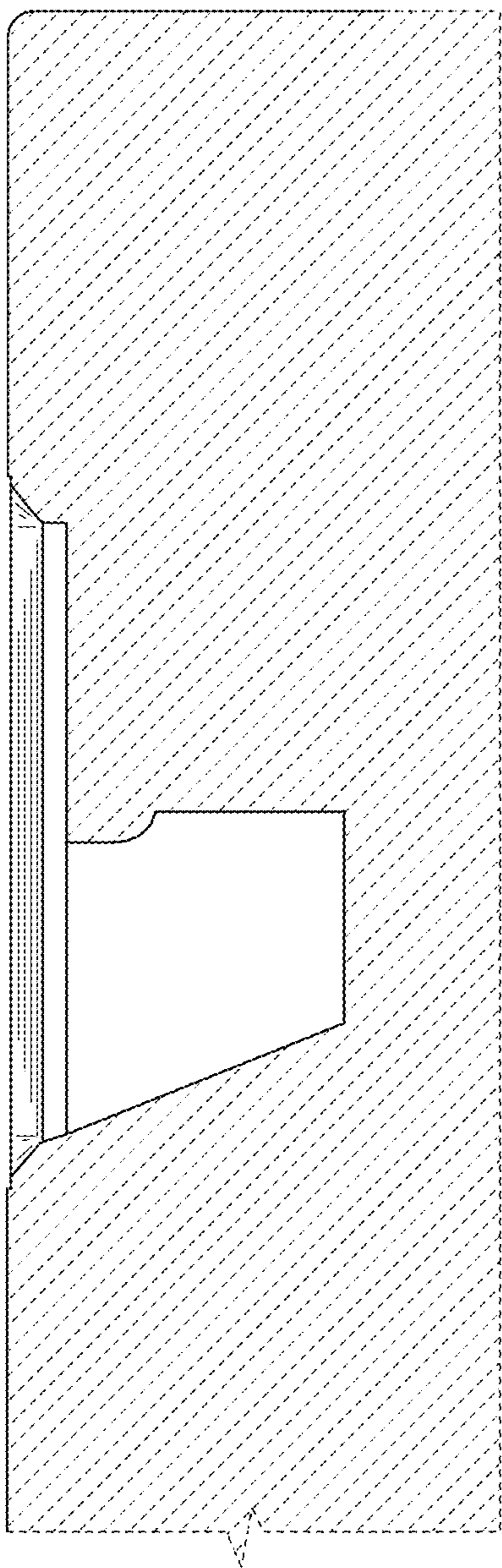


FIG. 10

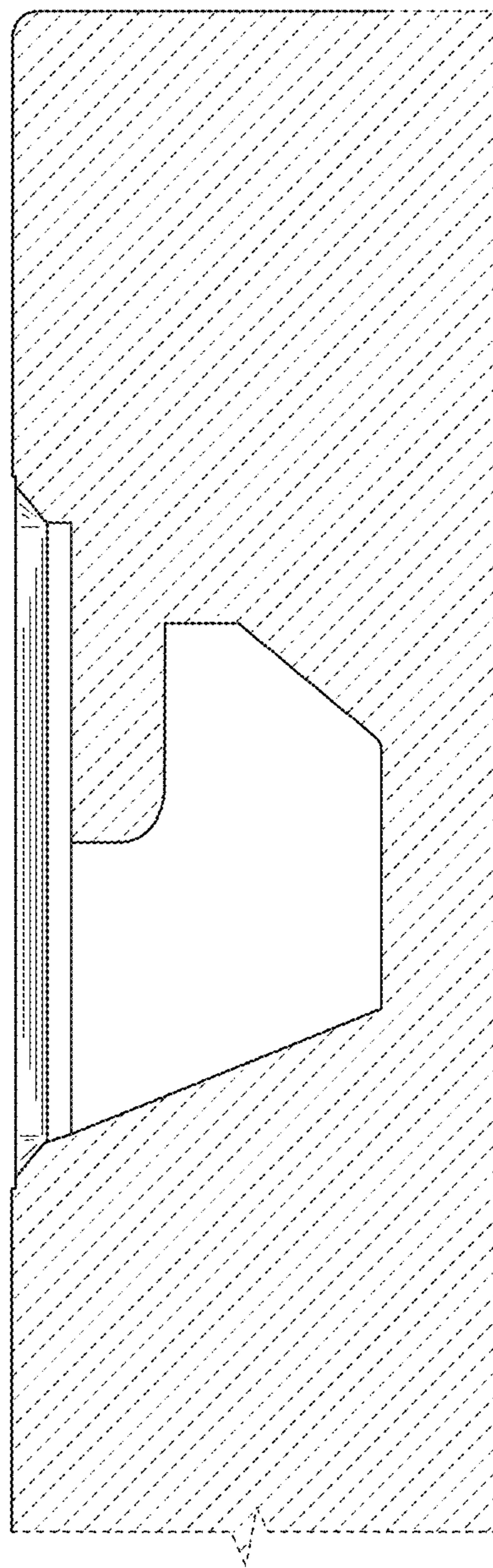


FIG. 11