



US00D821665S

(12) **United States Design Patent**  
**Bramwell**

(10) **Patent No.:** **US D821,665 S**

(45) **Date of Patent:** **\*\* Jun. 26, 2018**

(54) **LIVESTOCK VACCINATION COOLER**

(71) Applicant: **Darla Louise Bramwell**, Chromo, CO  
(US)

(72) Inventor: **Darla Louise Bramwell**, Chromo, CO  
(US)

(\*\*) Term: **15 Years**

(21) Appl. No.: **29/599,965**

(22) Filed: **Apr. 7, 2017**

(51) **LOC (11) Cl.** ..... **30-99**

(52) **U.S. Cl.**  
USPC ..... **D30/199; D7/605**

(58) **Field of Classification Search**  
USPC ..... D30/199, 121, 133; 119/174;  
D7/605-608, 629, 630; D3/272-276,  
D3/282, 905, 283; 220/500, 592.01,  
220/592.03, 592.08, 592.09, 592.1, 592.2,  
220/761; 62/457.7, 457.9, 463, 464;  
206/364

CPC ..... B65D 81/3813; B65D 81/3825; B65D  
81/3823; B65D 81/3888; B65D 81/389;  
B65D 81/3816; B65D 81/3858; B65D  
85/00; A61D 7/00; A47J 41/022; A47G  
19/2288; F25B 19/00; A45C 9/00; A45C  
11/20; F25D 3/08; F25D 3/14; F25D  
2331/804

See application file for complete search history.

(56) **References Cited**

**U.S. PATENT DOCUMENTS**

D194,637 S *	2/1963	Szantay	.....	D7/605
D197,814 S *	3/1964	Piker	.....	D7/605
D238,051 S *	12/1975	Fier, Jr.	.....	D3/302
D239,695 S *	4/1976	Fier, Jr.	.....	D3/302
D252,663 S *	8/1979	Corini	.....	D7/605
D347,324 S *	5/1994	Dickinson	.....	D3/272
D375,022 S *	10/1996	Smith	.....	D7/605

D377,970 S *	2/1997	Dannenberg	.....	D23/277
D393,055 S *	3/1998	Thomas	.....	D23/277
D404,853 S *	1/1999	Foster	.....	D23/278
D414,987 S *	10/1999	Moffett, III	.....	D7/605
D416,763 S *	11/1999	Paravati	.....	D7/605
D434,836 S *	12/2000	Salmon	.....	D23/277
6,349,559 B1 *	2/2002	Hasanovic	.....	A47J 47/10 62/457.7
6,364,329 B1 *	4/2002	Holub	.....	A45C 5/14 280/47.26
D486,357 S *	2/2004	Leba	.....	D7/605
D510,684 S *	10/2005	Crosby	.....	D3/313
D513,688 S *	1/2006	Moran	.....	D7/605
D514,891 S *	2/2006	Garcia	.....	D7/605
7,140,507 B2 *	11/2006	Maldonado	.....	A45C 11/20 220/592.2
D545,633 S *	7/2007	Hussaini	.....	D7/605

(Continued)

*Primary Examiner* — Susan Moon Lee

(74) *Attorney, Agent, or Firm* — Dunlap Bennett &  
Ludwig PLLC; Brendan E. Squire

(57) **CLAIM**

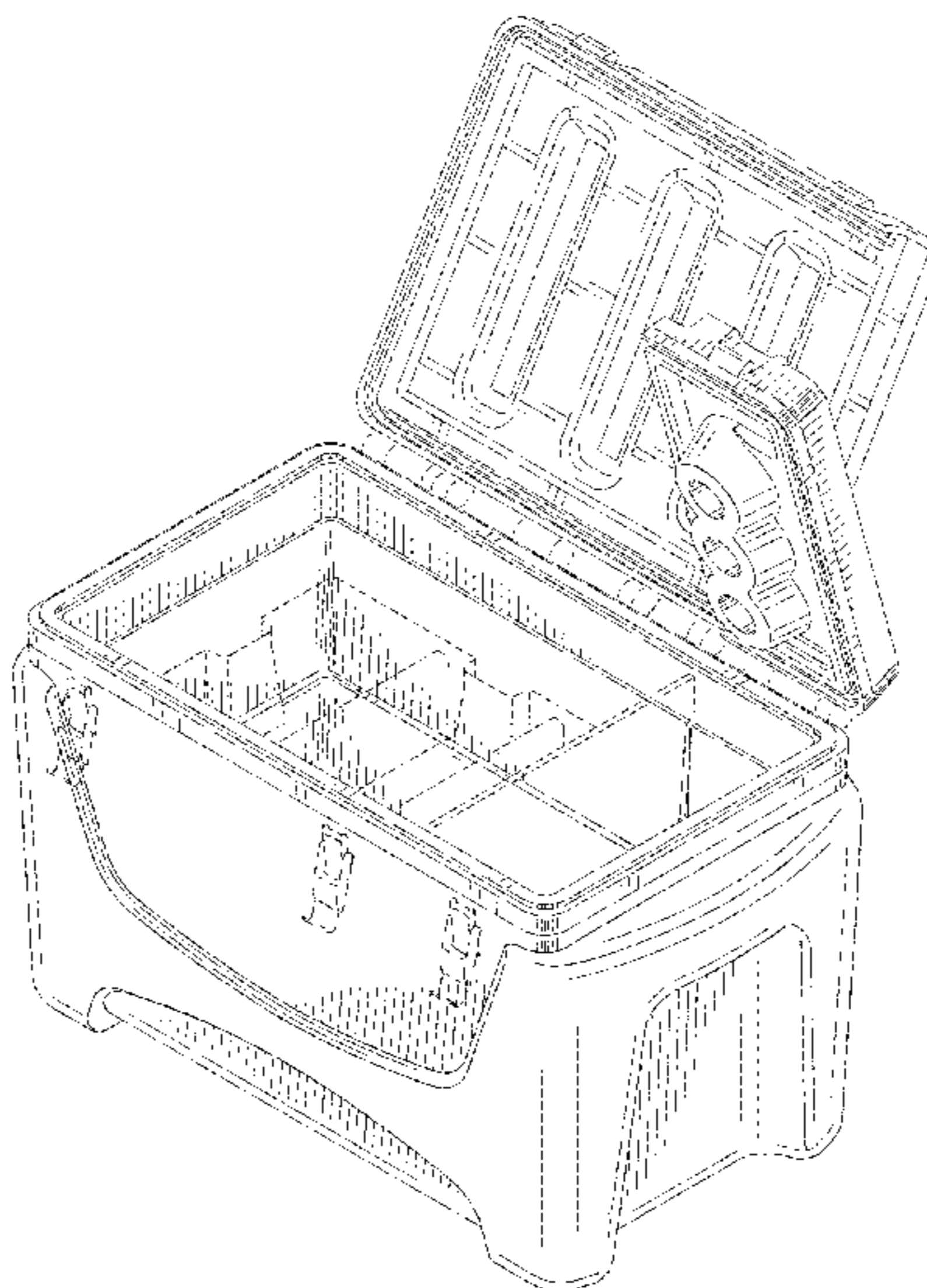
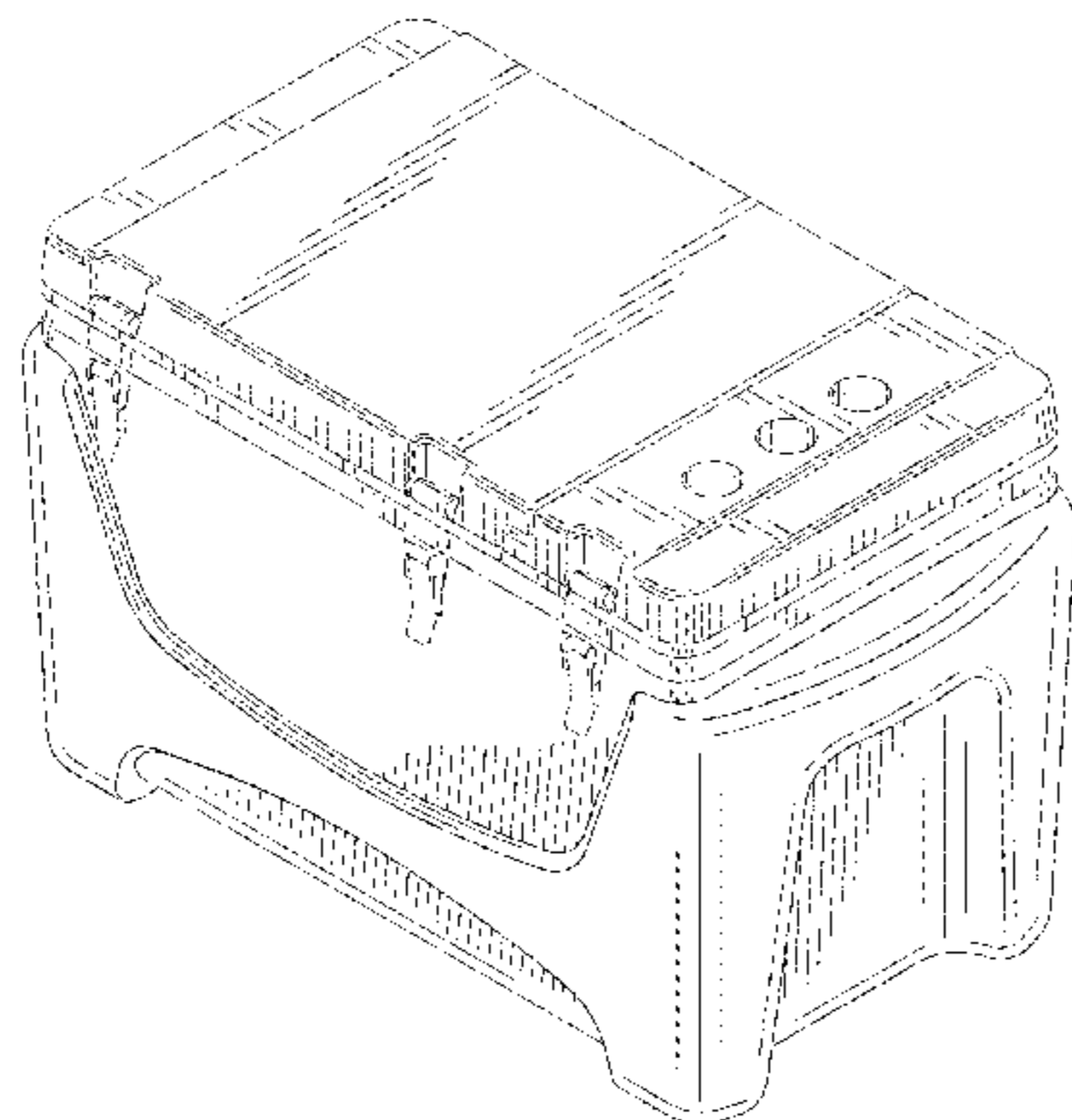
The ornamental design for a livestock vaccination cooler, as shown and described.

**DESCRIPTION**

FIG. 1 is a top front perspective view of the livestock vaccination cooler showing my new design; FIG. 2 is a front elevation view thereof; FIG. 3 is a rear elevation view thereof; FIG. 4 is a top plan view thereof; FIG. 5 is a bottom plan view thereof; FIG. 6 is a right elevation view thereof; FIG. 7 is a left elevation view thereof; and, FIG. 8 is a top front perspective view thereof, shown with both lids open.

The broken lines shown in the drawings illustrate portions of the livestock vaccination cooler that form no part of the claimed design.

**1 Claim, 5 Drawing Sheets**



(56)

References Cited

U.S. PATENT DOCUMENTS

D566,479	S *	4/2008	Kabalin .....	D3/273
D592,910	S *	5/2009	Hanson .....	D7/605
D605,818	S *	12/2009	Farley .....	D30/158
D645,248	S *	9/2011	Osiecki .....	D3/276
D674,245	S *	1/2013	Williams, Jr. ....	D7/605
8,356,712	B2 *	1/2013	Piazza, Jr. ....	A45C 9/00 108/14
D688,071	S *	8/2013	Mount .....	D6/677
D732,327	S *	6/2015	Ciuksza, Jr. ....	D7/300
D770,694	S *	11/2016	Beilinson .....	D30/158
D786,022	S *	5/2017	Ravenscraft, Jr. ....	D7/605
D797,518	S *	9/2017	Pavia, III .....	D7/605
D805,356	S *	12/2017	Li .....	D7/605
D805,357	S *	12/2017	Li .....	D7/605
D806,483	S *	1/2018	Stanford .....	D7/605
D807,707	S *	1/2018	Grepper .....	D7/605
D807,708	S *	1/2018	Grepper .....	D7/605
2002/0117504	A1 *	8/2002	Emerson .....	A47G 29/14 220/592.03
2004/0093892	A1 *	5/2004	Abfalter .....	F25D 3/08 62/457.7
2004/0178208	A1 *	9/2004	Leba .....	F25D 3/08 220/761
2011/0056233	A1 *	3/2011	Flaker .....	A63B 71/023 62/457.7
2012/0132657	A1 *	5/2012	Seiders .....	B65D 81/3816 220/592.2
2014/0091098	A1 *	4/2014	Casoli .....	B65D 81/3818 220/592.2
2015/0239640	A1 *	8/2015	Smith .....	A61J 1/165 220/592.2
2017/0234596	A1 *	8/2017	Patsis .....	F25D 3/06 220/592.2

\* cited by examiner

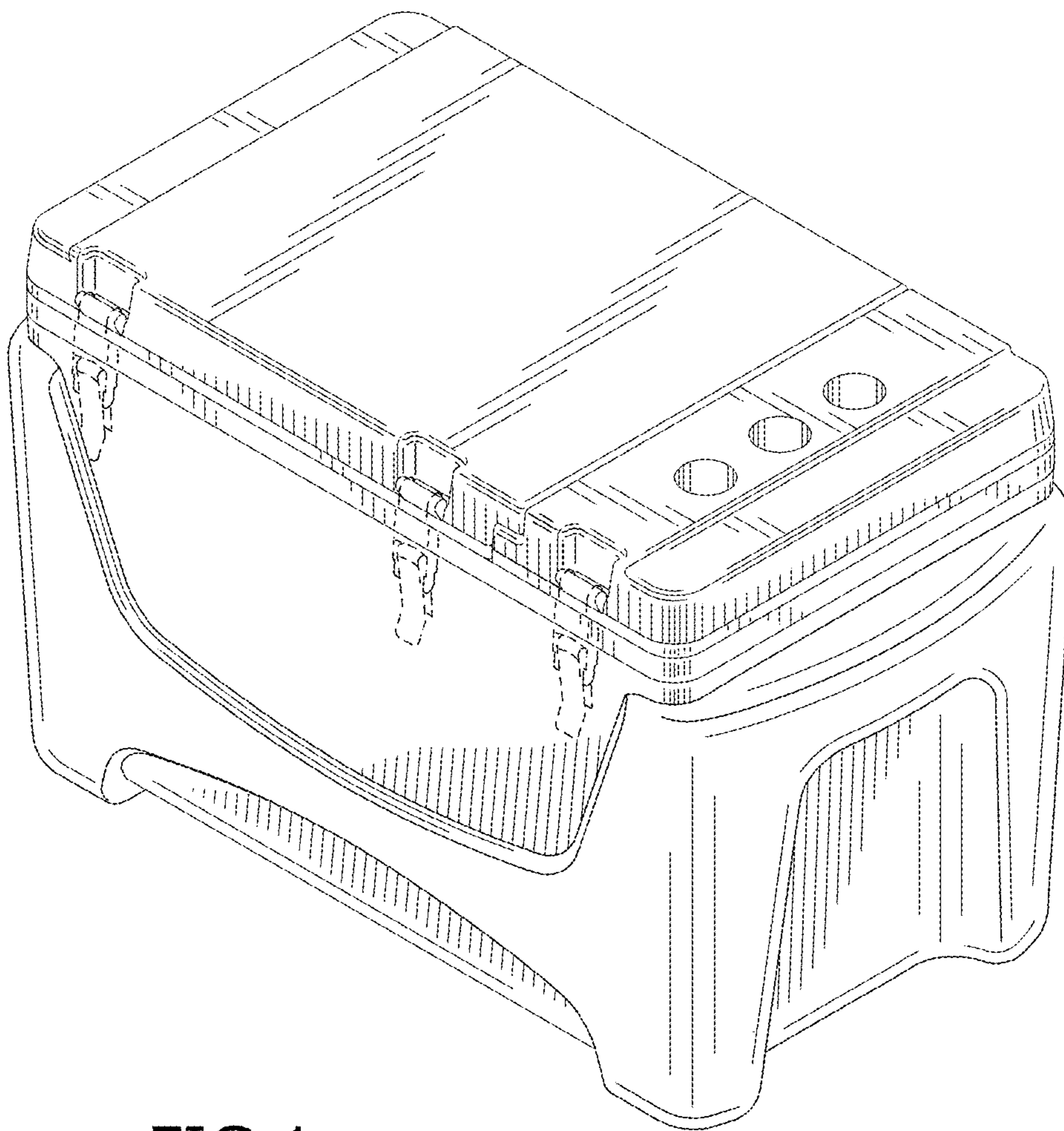


FIG. 1

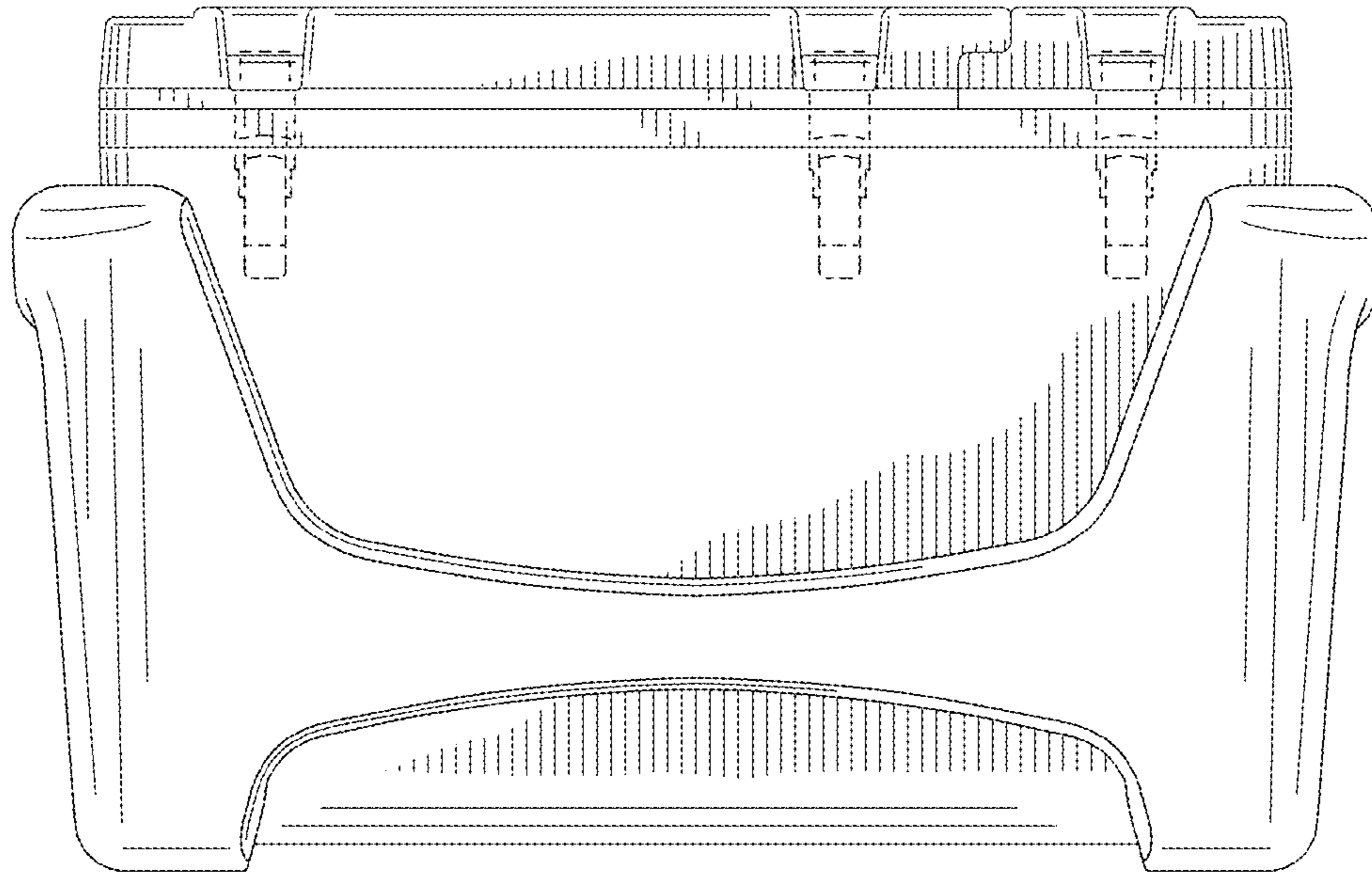


FIG. 2

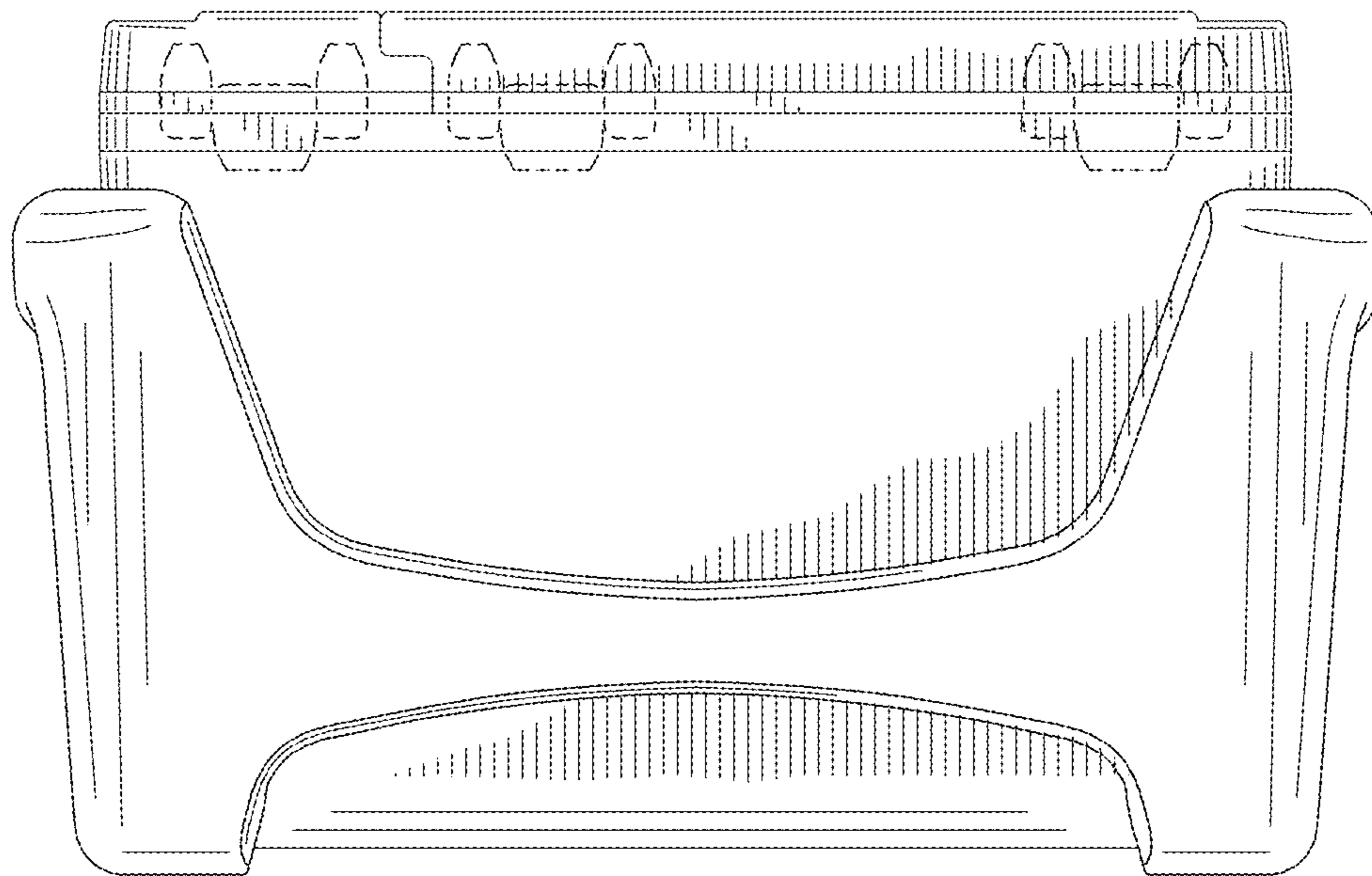


FIG. 3

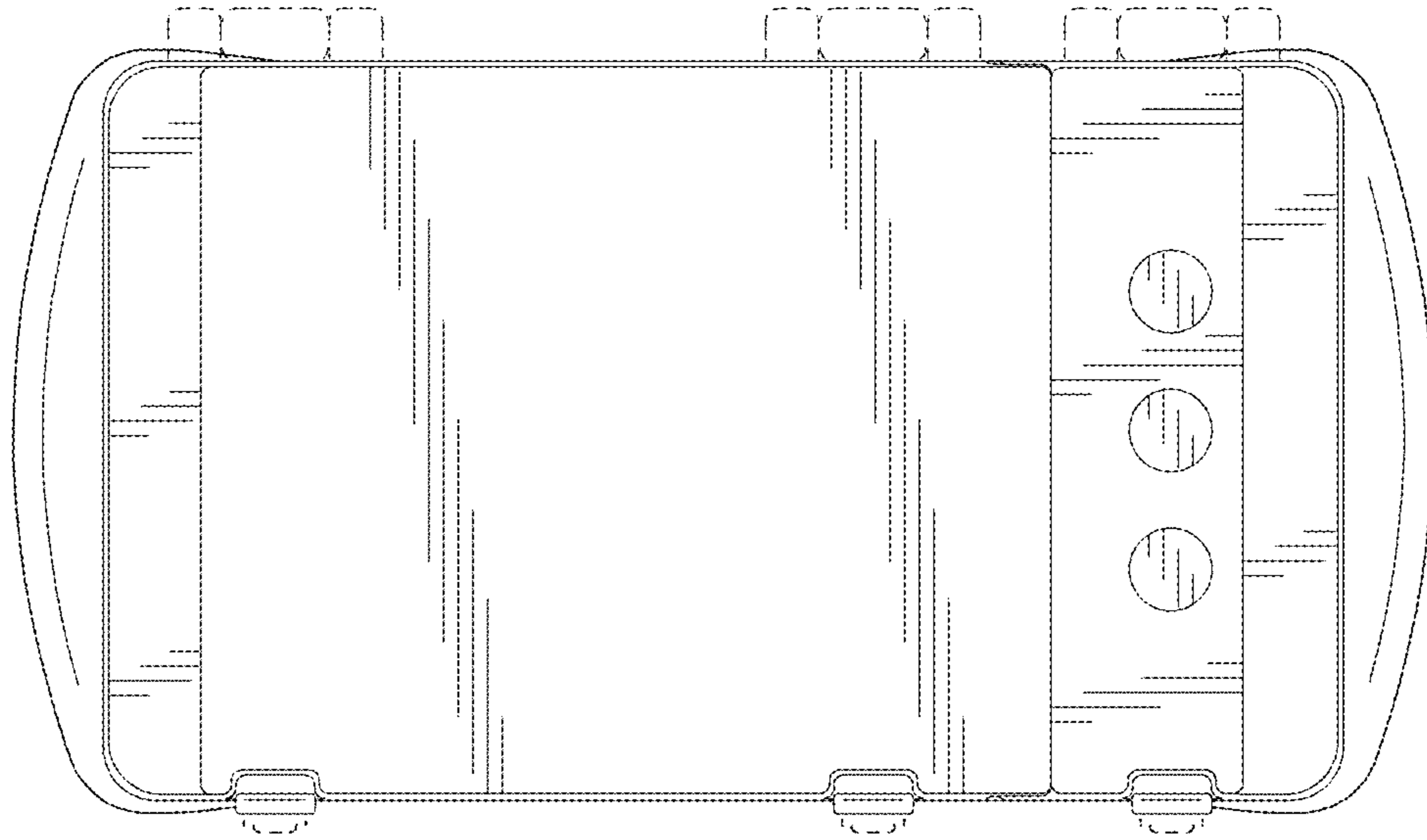


FIG. 4

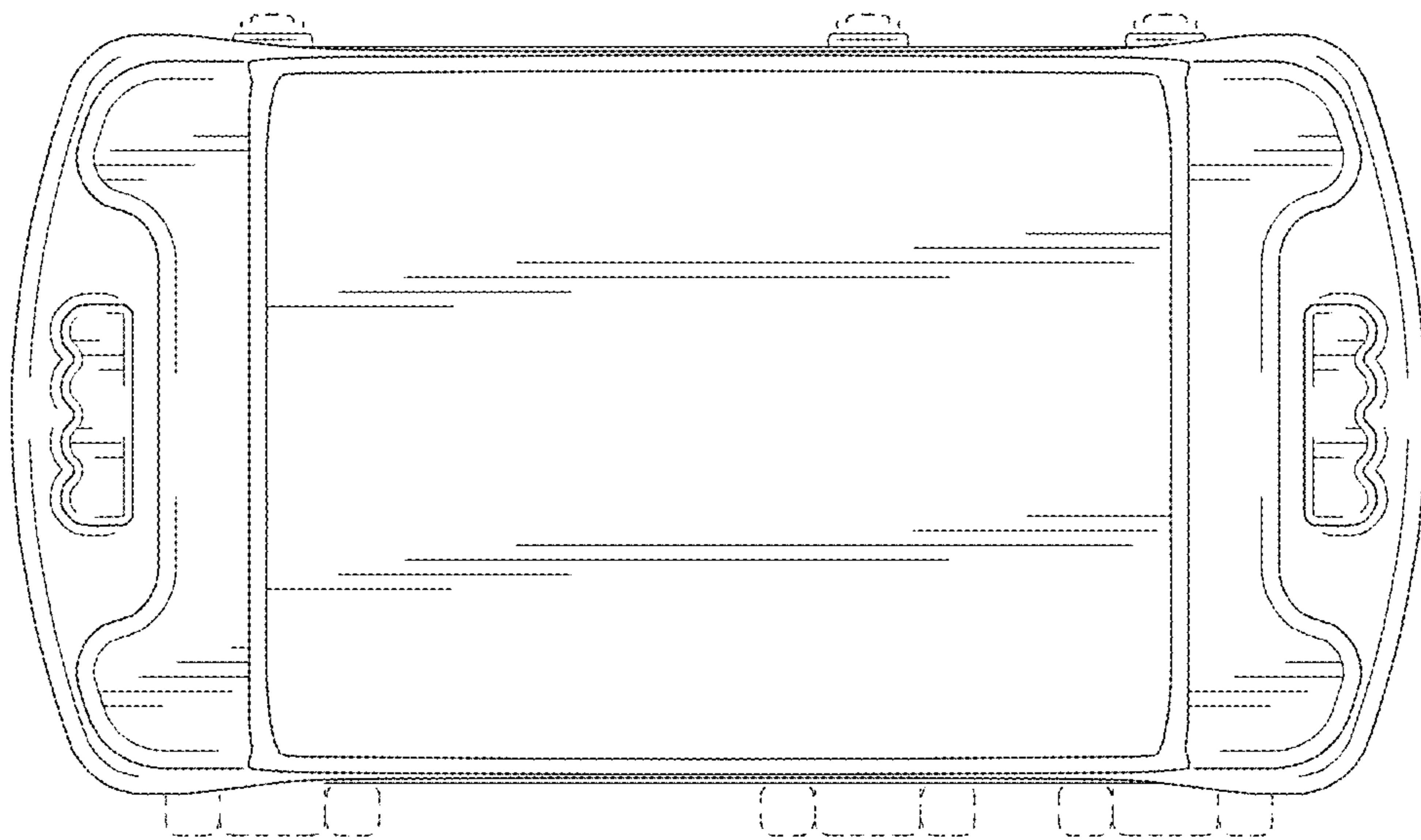


FIG. 5

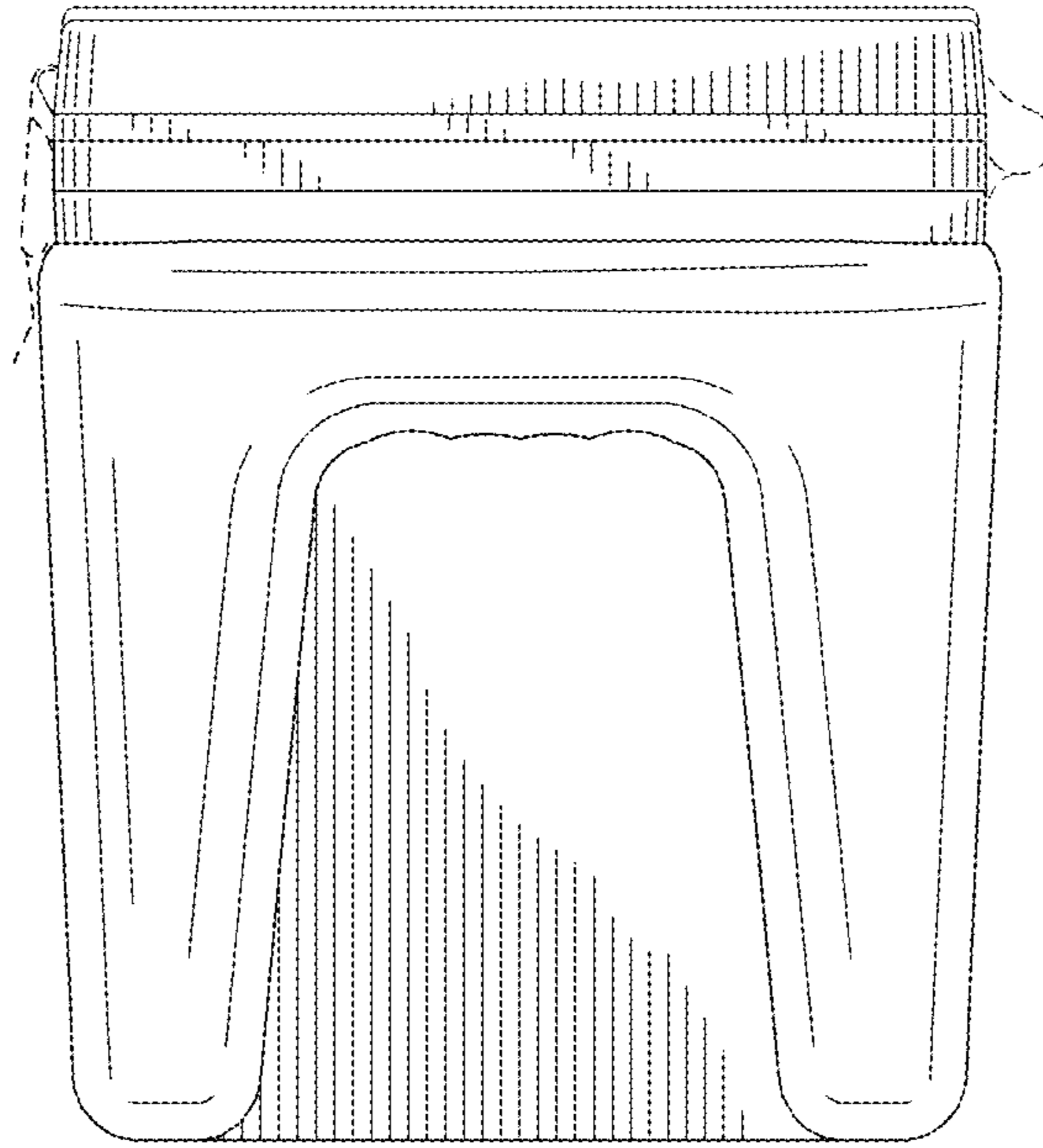


FIG. 6

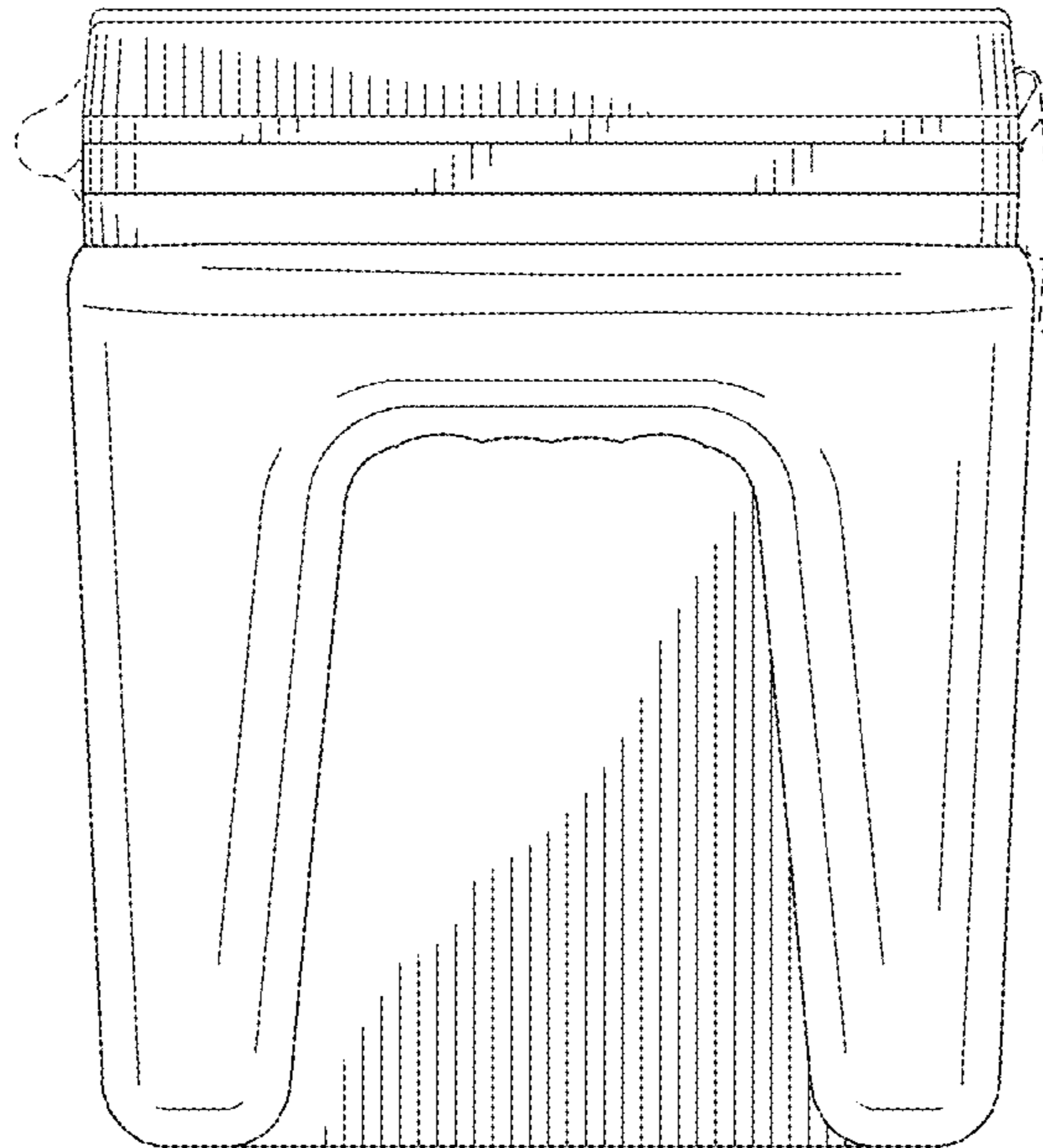


FIG. 7

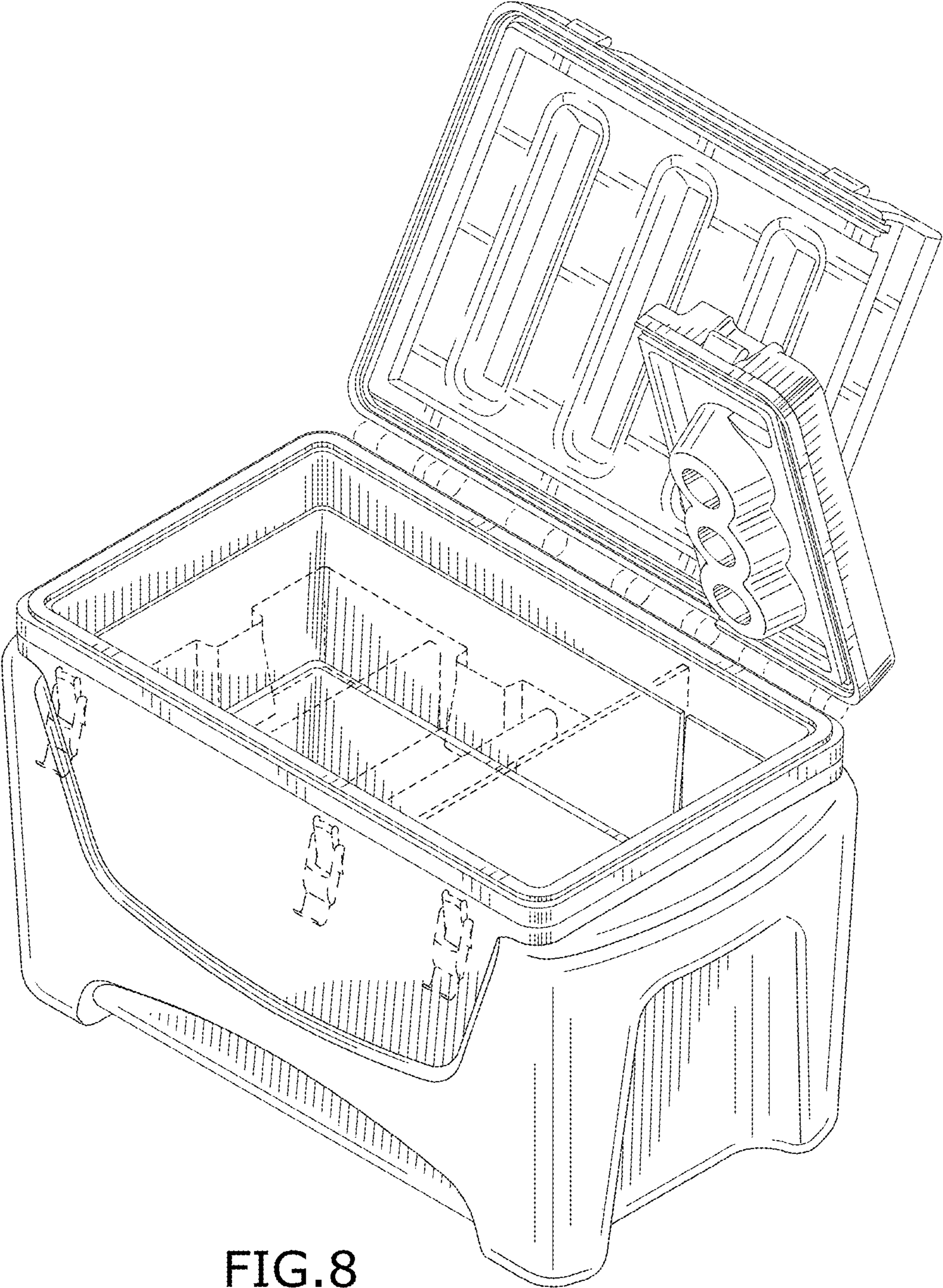


FIG.8