



US00D821664S

(12) **United States Design Patent** (10) **Patent No.:** **US D821,664 S**  
**Stiner et al.** (45) **Date of Patent:** **\*\* Jun. 26, 2018**

(54) **LITTER BOX SCRATCH GUARD** 4,458,873 A \* 7/1984 Sutherland ..... A47G 1/162  
206/499  
(71) Applicants: **Dawn Stiner**, Oxford, PA (US); 4,524,723 A \* 6/1985 Davis ..... A01K 31/16  
119/347  
**Michael Ironside**, Oxford, PA (US) D289,635 S \* 5/1987 Bramwell ..... D13/155  
4,787,335 A \* 11/1988 Carlyon ..... A01K 1/0107  
119/170  
(72) Inventors: **Dawn Stiner**, Oxford, PA (US); 4,854,624 A \* 8/1989 Baymiller ..... E01H 1/1206  
294/1.3  
(\*\*) Term: **15 Years** (Continued)

(21) Appl. No.: **29/586,141**

FOREIGN PATENT DOCUMENTS

(22) Filed: **Dec. 1, 2016**

WO WO2007108891 9/2007

(51) **LOC (11) Cl.** ..... **30-99**

OTHER PUBLICATIONS

(52) **U.S. Cl.**

USPC ..... **D30/161**

(58) **Field of Classification Search**

USPC ..... D30/102, 121, 118, 119, 120, 124, 158,  
D30/160, 161, 133; D21/323, 398, 399,  
D21/503, 662, 671, 678, 681, 682, 685,  
D21/713, 797, 814, 821; D13/13, 139.4;  
D25/32, 34, 66, 119, 126; D6/331, 332,  
D6/491, 503, 516, 518; 211/85.24;  
119/58, 60, 165, 166, 347, 469, 473, 474,  
119/482, 486, 706; 215/316; 206/362.4,  
206/372, 401, 470, 499

“Omega Paw Ripple Board Scratch Massage Cat Bed”, posted Aug. 14, 2014, [online], [retrieved Mar. 27, 2016]. Retrieved from Internet, URL: [https://www.chewy.com/omega-paw-ripple-board-scratch/dp/47529?utm\\_source=google-product&utm\\_medium=cpc&utm\\_campaign=hg&utm\\_content=Omega%20Paw&utm\\_term=&gclid=E.\\*](https://www.chewy.com/omega-paw-ripple-board-scratch/dp/47529?utm_source=google-product&utm_medium=cpc&utm_campaign=hg&utm_content=Omega%20Paw&utm_term=&gclid=E.*)

(Continued)

*Primary Examiner* — Barbara Fox  
*Assistant Examiner* — Mehri F Bajoul

CPC ..... A47F 1/085; A01K 1/033; A01K 15/024;  
A01K 15/02; H05K 9/0001; E06B 1/00  
See application file for complete search history.

(57) **CLAIM**

The ornamental design for a litter box scratch guard, as shown and described.

(56) **References Cited**

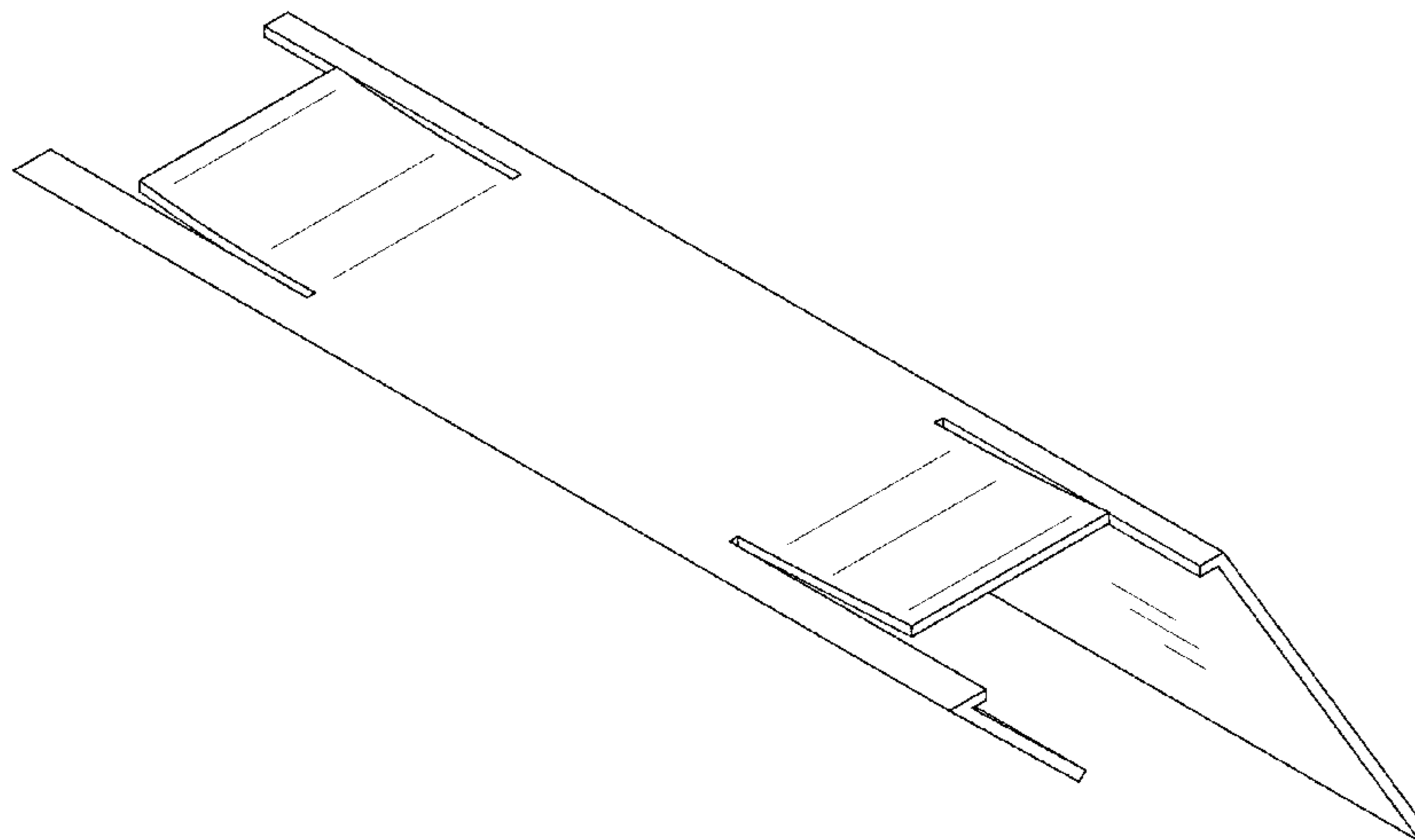
**DESCRIPTION**

U.S. PATENT DOCUMENTS

3,407,927 A \* 10/1968 Jones ..... A47G 21/001  
206/372  
D247,276 S \* 2/1978 Smith ..... D6/310  
D248,128 S \* 6/1978 Mineo ..... D6/514  
4,188,055 A \* 2/1980 Green ..... E01H 1/1206  
15/257.6  
4,312,295 A 1/1982 Harrington  
D264,756 S \* 6/1982 Andersson ..... D25/126  
D269,968 S \* 8/1983 Rodriguez Moura ..... D13/155

FIG. 1 is a front view of a litter box scratch guard showing our new design, a rear view being a mirror image thereof; FIG. 2 is a left side view of the litter box scratch guard; FIG. 3 is a right side view of the litter box scratch guard; FIG. 4 is a top view of the litter box scratch guard; FIG. 5 is a bottom view of the litter box scratch guard; and, FIG. 6 is a top front side perspective view of the litter box scratch guard.

**1 Claim, 6 Drawing Sheets**



(56)

References Cited

U.S. PATENT DOCUMENTS

D328,529 S *	8/1992	Lenarczyk .....	D25/16
5,297,677 A *	3/1994	Burian .....	A47K 1/09 206/362
D369,708 S *	5/1996	Breen .....	D6/515
D395,566 S *	6/1998	Helseth .....	D6/515
D431,659 S *	10/2000	Bouchard .....	D25/126
D507,131 S *	7/2005	Pingel .....	D6/699.5
D510,019 S	9/2005	Davis	
D544,922 S *	6/2007	Shaffer .....	D20/10
D557,867 S *	12/2007	Northrop .....	D30/161
D560,072 S *	1/2008	Willis .....	D6/332
D572,024 S *	7/2008	Shapiro .....	D6/301
7,487,743 B1 *	2/2009	Lane .....	A01K 1/0114 119/161
D606,266 S *	12/2009	Waldfogel .....	D30/161
D622,912 S *	8/2010	Kanigchulatar .....	D30/161
D626,769 S *	11/2010	Rogers .....	D6/706
8,292,114 B1	10/2012	Tabele, Jr.	
8,360,006 B2	1/2013	Lechaton	
D685,139 S *	6/2013	Park .....	D30/108
D690,059 S *	9/2013	Robbins .....	D30/161
D691,335 S *	10/2013	Zettlemoyer .....	D30/161
D692,192 S *	10/2013	Graves .....	D30/161
D709,948 S *	7/2014	Debons .....	D19/113
D718,718 S *	12/2014	Picard .....	D13/139.4
D720,505 S *	12/2014	Kersten .....	D30/121
D728,172 S *	4/2015	Matsuo .....	D30/161
9,205,942 B1	12/2015	McMiller et al.	
D754,406 S *	4/2016	Karsted .....	D30/161
9,486,092 B2 *	11/2016	Helseth .....	A47F 13/04
D779,852 S *	2/2017	Covert .....	D6/516
D786,513 S *	5/2017	Tome .....	D30/121
2007/0215058 A1	9/2007	Spreitzer	
2009/0194033 A1	8/2009	Modlin	
2010/0050951 A1 *	3/2010	Maguire .....	A01K 1/0107 119/165

OTHER PUBLICATIONS

“Pet Seat Cover Car Seat Covers ” , posted Jul. 3, 2017, [online], [retrieved Mar. 27, 2016]. Retrieved from Internet, URL: [https://www.amazon.com/Waterproof-Hammock-Polyester-Scratch-Washable/dp/B071DX7GGZ/ref=sr\\_1\\_6?s=pets-supplies&ie=UTF8&qid=1517589294&sr=1-6&keywords=Pet+Seat+Cover+Car+Seat+Cove.\\*](https://www.amazon.com/Waterproof-Hammock-Polyester-Scratch-Washable/dp/B071DX7GGZ/ref=sr_1_6?s=pets-supplies&ie=UTF8&qid=1517589294&sr=1-6&keywords=Pet+Seat+Cover+Car+Seat+Cove.*)

\* cited by examiner

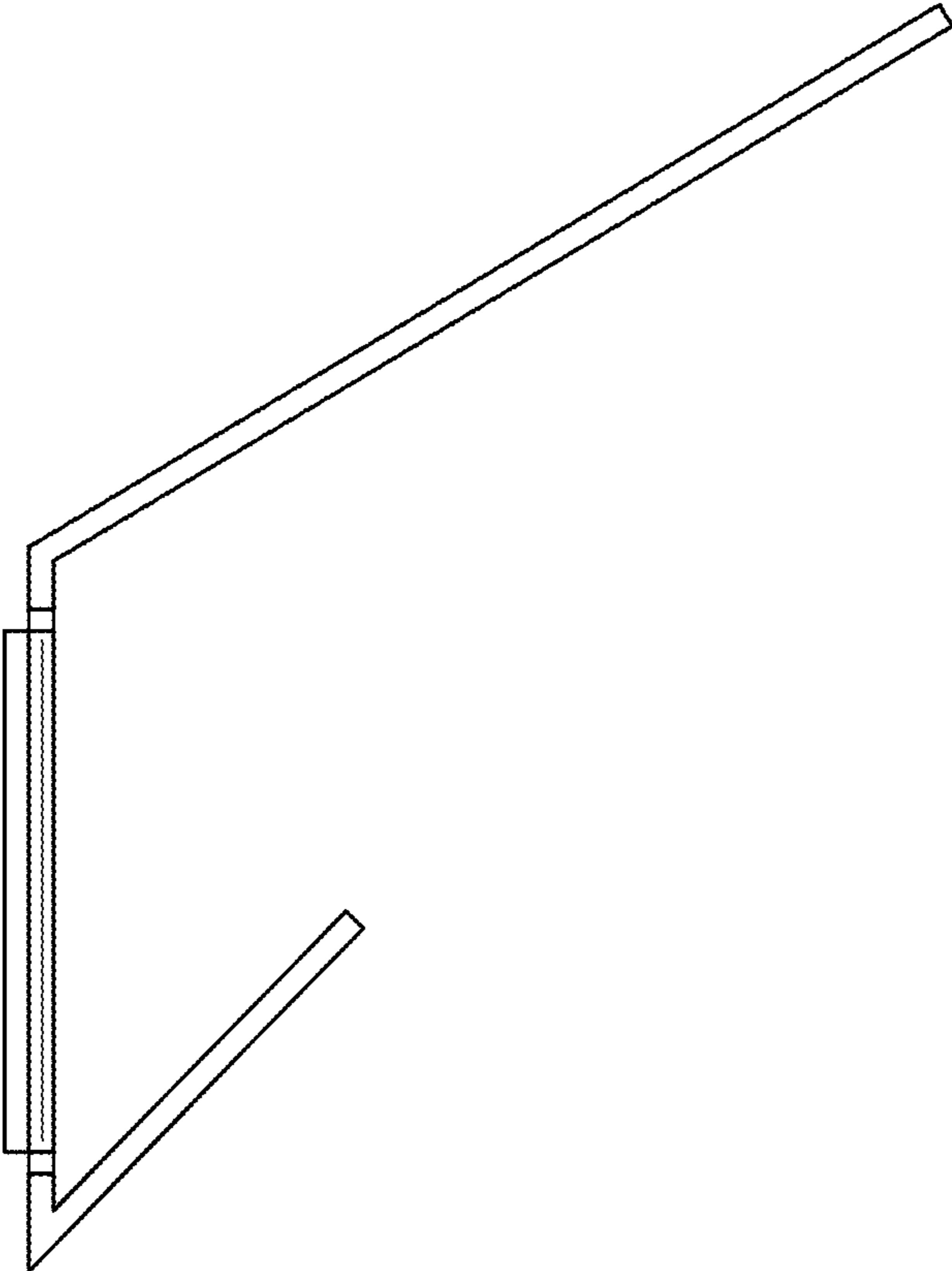


FIG. 1

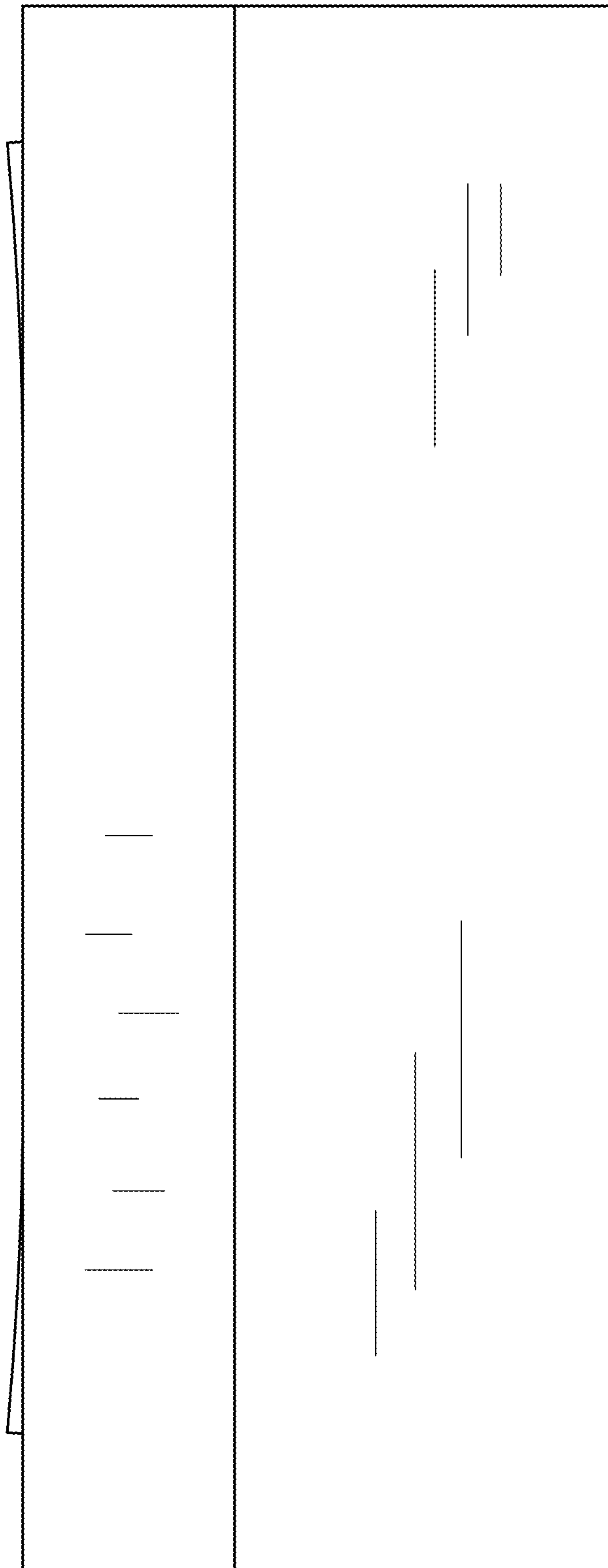


FIG. 2

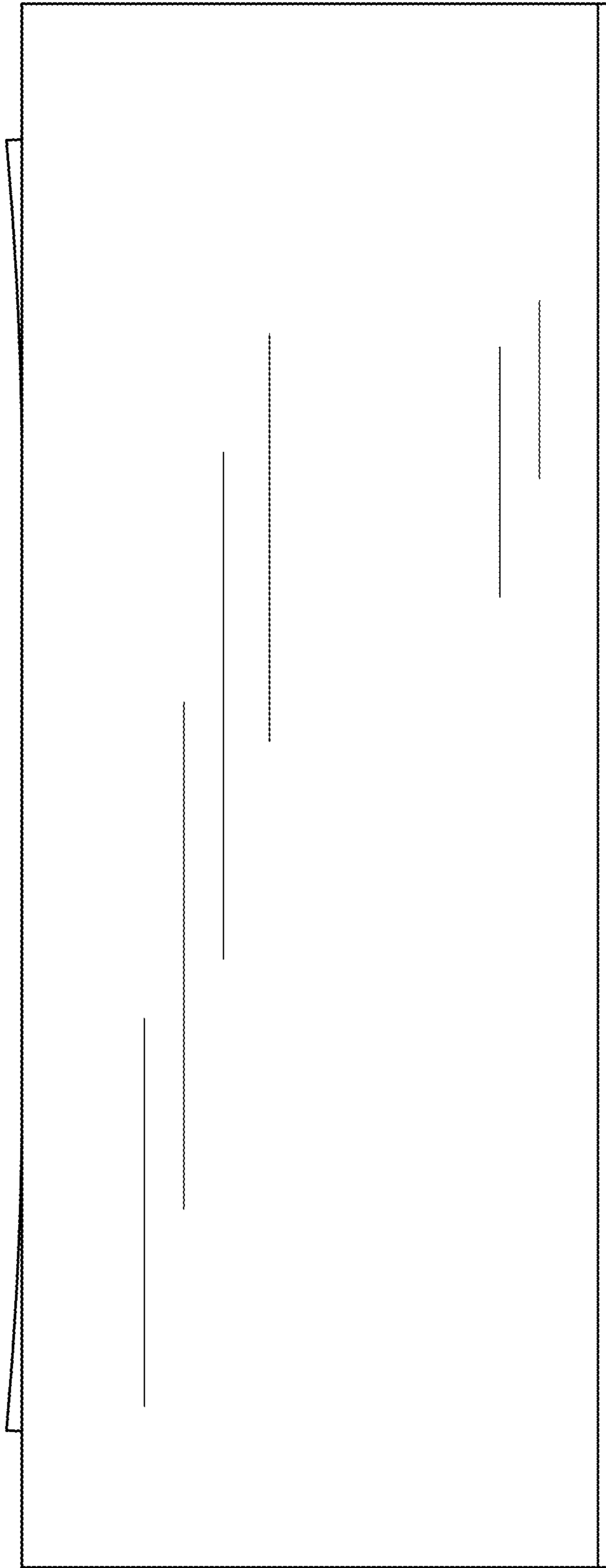


FIG. 3

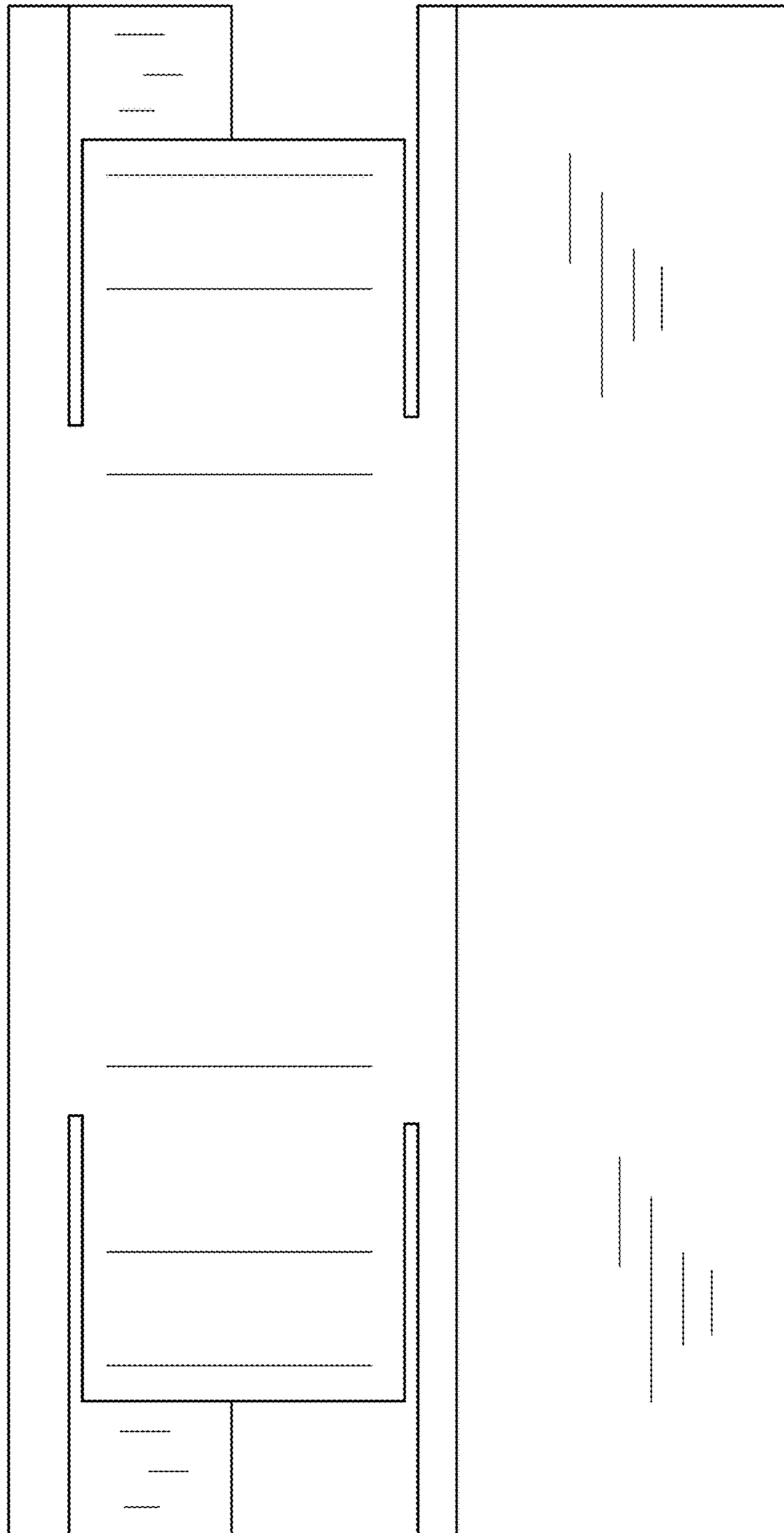


FIG. 4

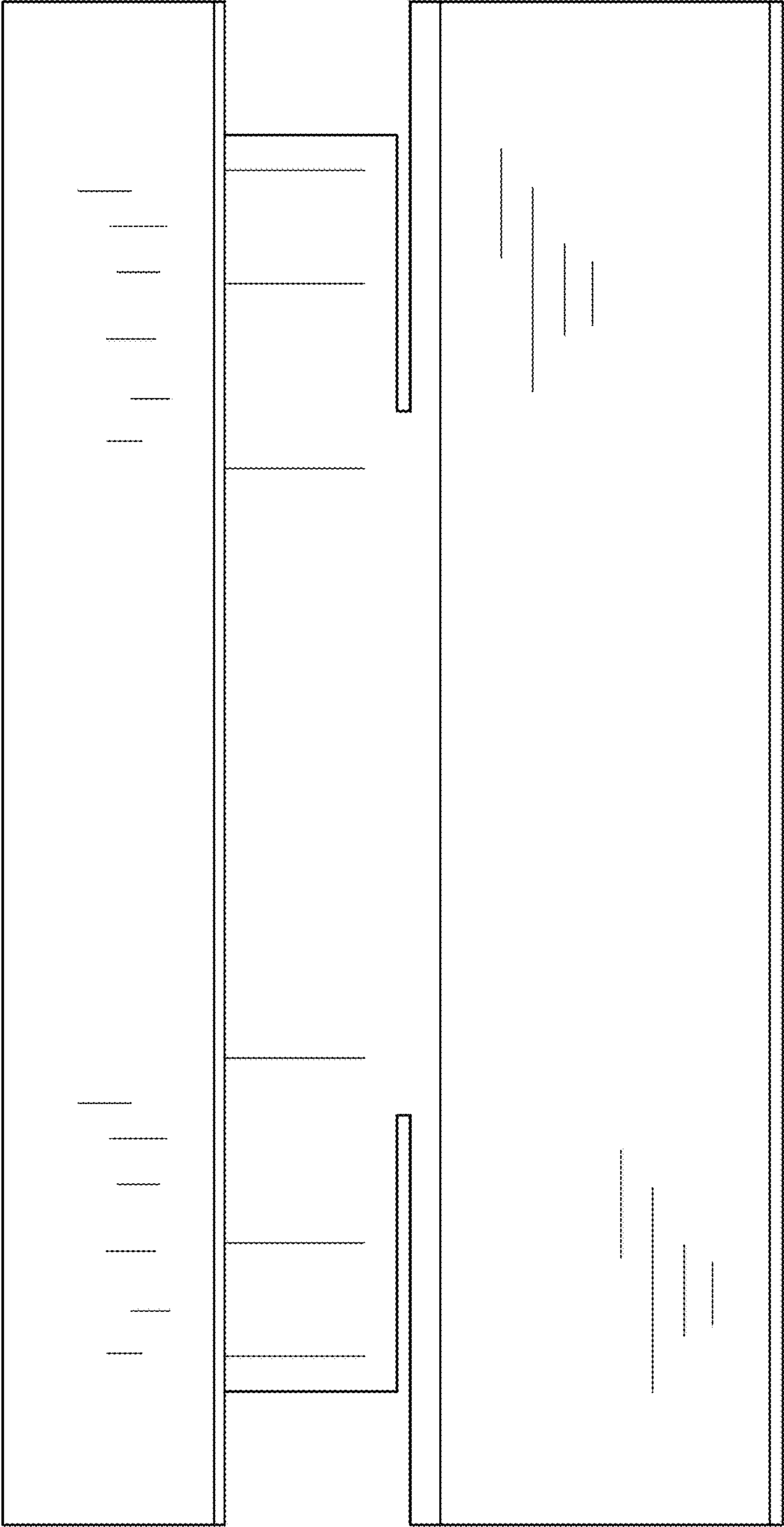


FIG. 5

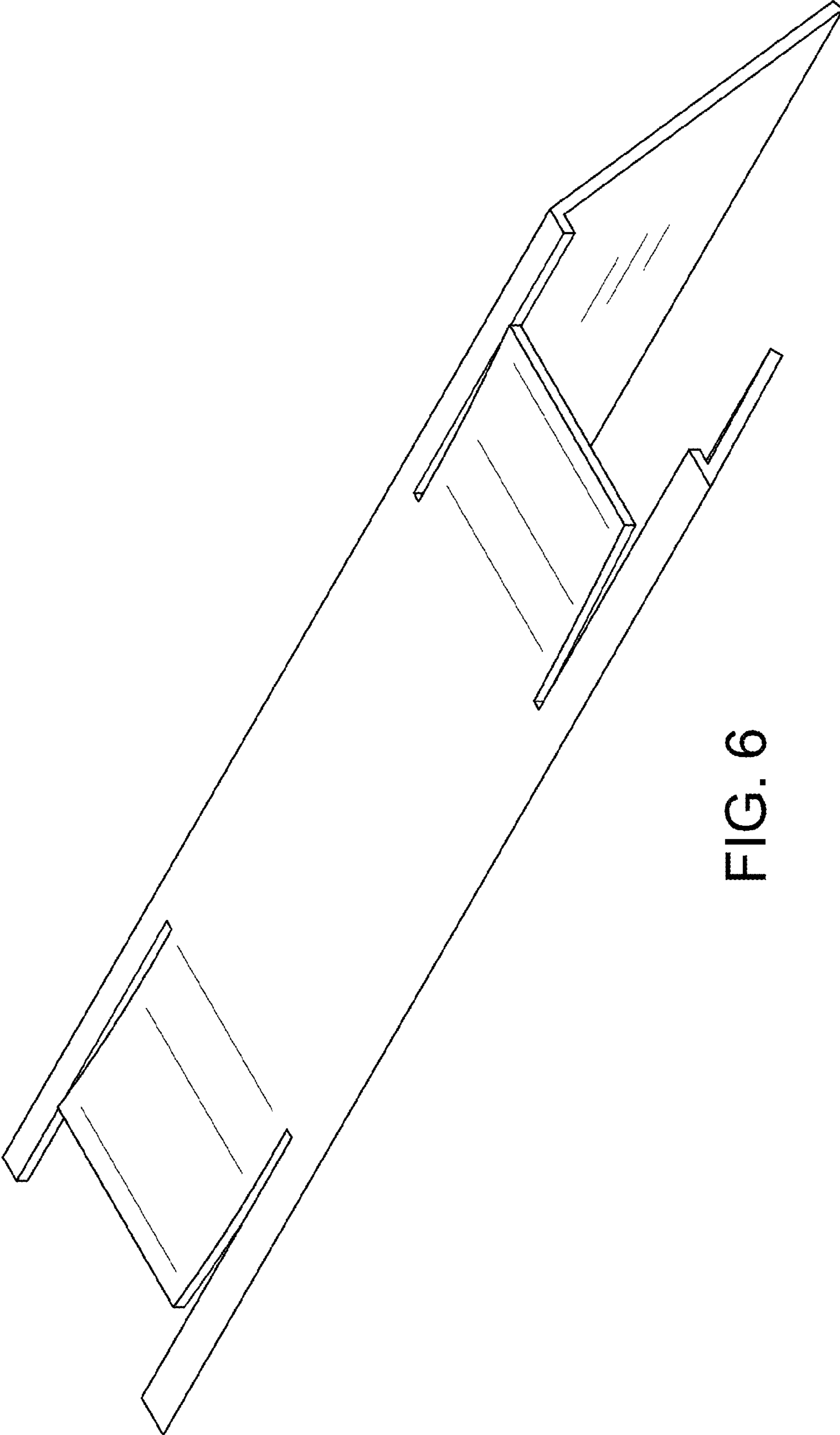


FIG. 6