



US00D821660S

(12) **United States Design Patent**
Nifong et al.

(10) **Patent No.:** **US D821,660 S**
(45) **Date of Patent:** **** Jun. 26, 2018**

(54) **BIRDFEEDER**

(71) Applicant: **Classic Brands, LLC**, Denver, CO (US)
(72) Inventors: **Lindsey Nifong**, Denver, CO (US); **Stephen Combs**, Denver, CO (US); **John Bruno**, Parker, CO (US); **Robert Donegan**, Denver, CO (US); **Bryan Krueger**, Denver, CO (US)
(73) Assignee: **Classic Brands, LLC**, Denver, CO (US)

(**) Term: **15 Years**

(21) Appl. No.: **29/609,260**

(22) Filed: **Jun. 29, 2017**

(51) **LOC (11) Cl.** **30-03**

(52) **U.S. Cl.**
USPC **D30/124; D30/127**

(58) **Field of Classification Search**
USPC D30/121, 124, 127, 128, 133, 114, 115, D30/116, 117, 118, 119, 125, 126; 119/51.03, 57.8, 51.01, 52.2, 710, 711, 119/52.3, 464, 707, 709, 57.9, 124, 51.04; 43/2, 131; 47/86, 65, 65.5, 67, 39, 41.12, 47/79; 426/1, 439, 556; D11/121, 120, D11/79, 117; 428/10, 18, 27; D7/352, D7/356; 156/256, 263; 66/170; 99/372, 99/377, 403; 425/318, 395, 404; 248/175, 27.8; 211/85.31, 88.03, 23; 362/122, 227, 249.15, 249.16, 249.18, 362/806

CPC A01K 39/02; A01K 39/0206; A01K 39/04; A01K 39/012; A01K 39/026

See application file for complete search history.

(56) **References Cited**

U.S. PATENT DOCUMENTS

813,954 A * 2/1906 Davis A01K 39/026 119/77
1,502,847 A * 7/1924 Collins A01K 39/026 119/77
1,566,571 A * 12/1925 Appleton A01K 39/026 119/77
2,573,802 A * 11/1951 Mitchell A01K 39/026 119/77
3,089,605 A * 5/1963 Buonauro A47G 19/2255 215/377
4,901,673 A * 2/1990 Overstreet A01K 39/00 119/72
5,479,879 A * 1/1996 Biek A01K 39/0113 119/52.2
D417,528 S * 12/1999 Rizzo D30/121
D575,118 S * 8/2008 Bignon D7/672
D606,709 S * 12/2009 McMullen D30/127

(Continued)

Primary Examiner — Susan Moon Lee

(74) *Attorney, Agent, or Firm* — Polsinelli PC

(57) **CLAIM**

The ornamental design for a birdfeeder, as shown and described.

DESCRIPTION

FIG. 1 is an isometric view of a birdfeeder showing our new design.

FIG. 2 is a front view thereof.

FIG. 3 is a back view thereof.

FIG. 4 is a left side view thereof.

FIG. 5 is a right side view thereof.

FIG. 6 is a top view thereof.

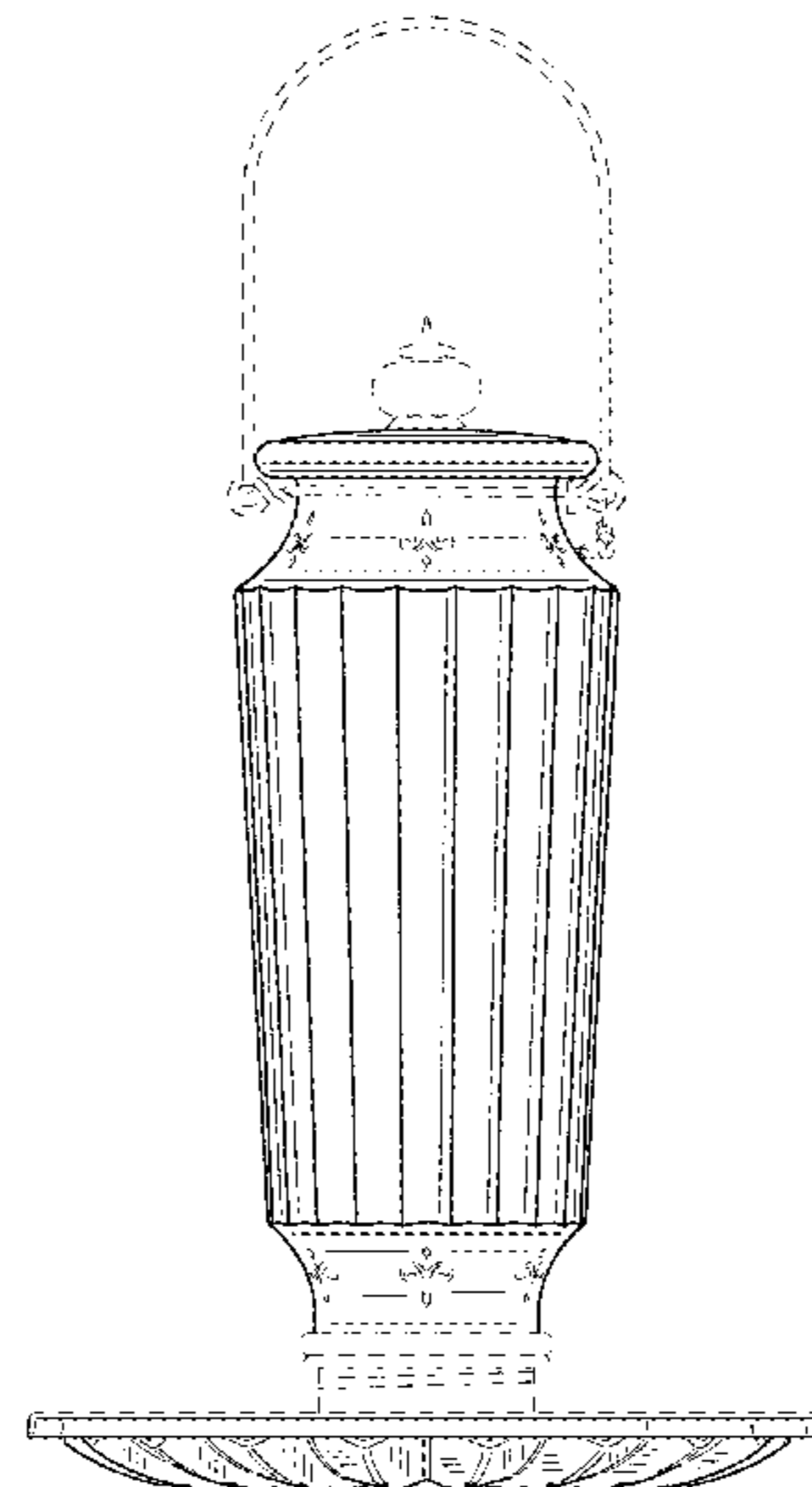
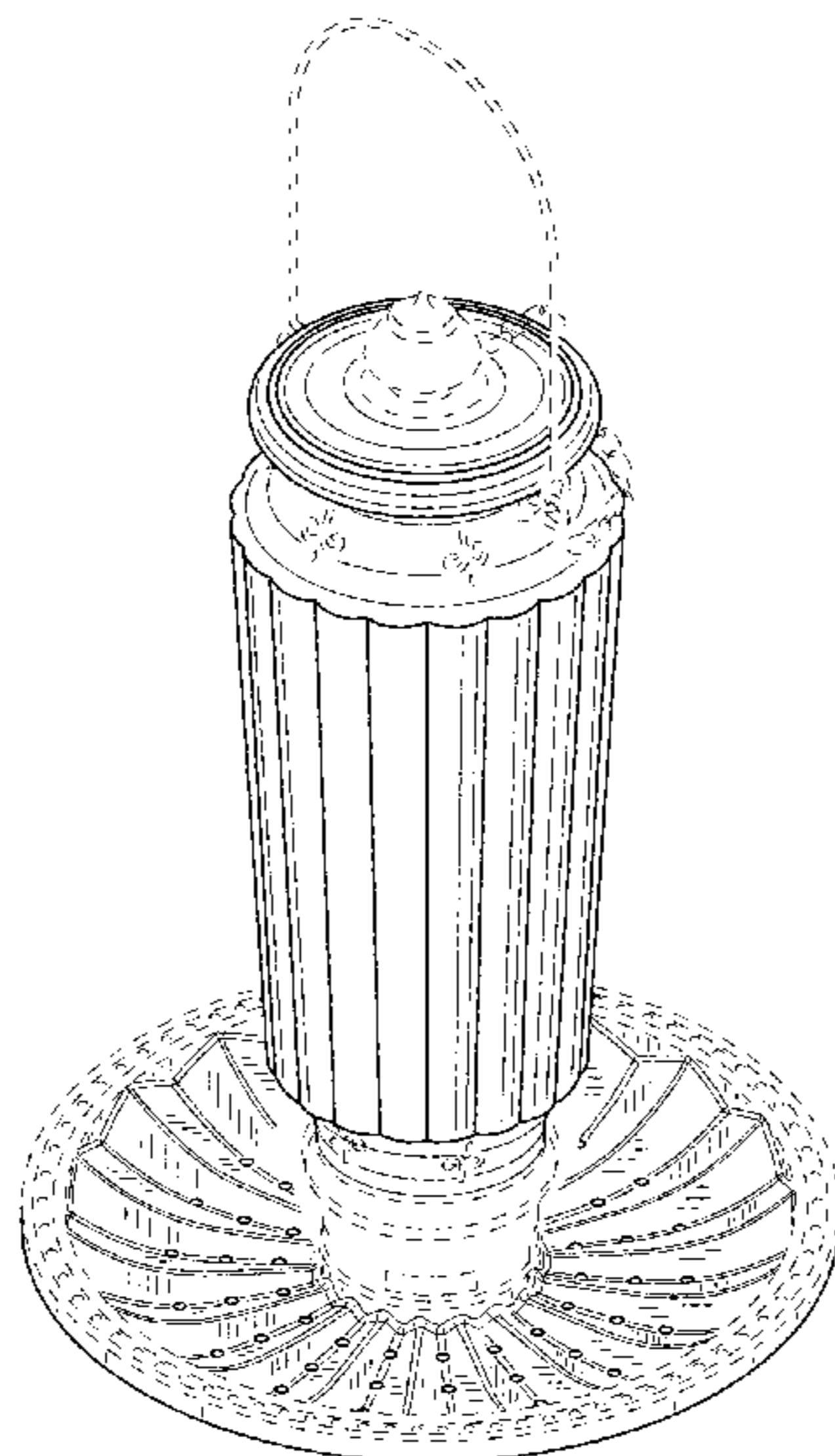
FIG. 7 is a bottom view thereof; and,

FIG. 8 is a bottom perspective view thereof.

The broken lines in the Figures show portions of the birdfeeder that form no part of the claimed design.

The shade lines in the Figures show contour and not surface ornamentation or treatment.

1 Claim, 7 Drawing Sheets



(56)

References Cited

U.S. PATENT DOCUMENTS

7,874,264 B2 * 1/2011 McMullen A01K 39/0206
119/52.2
D678,628 S * 3/2013 Krueger D30/127
D698,098 S * 1/2014 Muhr D30/124
D713,101 S * 9/2014 Bruno D30/127
D720,506 S * 12/2014 Bruno D30/127
RE45,715 E * 10/2015 Krueger D30/127
D744,172 S * 11/2015 Donegan D30/127
2011/0011345 A1 * 1/2011 LoRocco A01K 39/02
119/72
2011/0100299 A1 * 5/2011 Colwell A01K 31/12
119/52.2
2012/0167827 A1 * 7/2012 Rochon A01K 5/0114
119/51.01
2015/0122186 A1 * 5/2015 Donegan A01K 39/0113
119/51.5
2015/0342154 A1 * 12/2015 DiOrio A01K 39/012
119/52.2
2017/0181411 A1 * 6/2017 King A01K 39/012

* cited by examiner

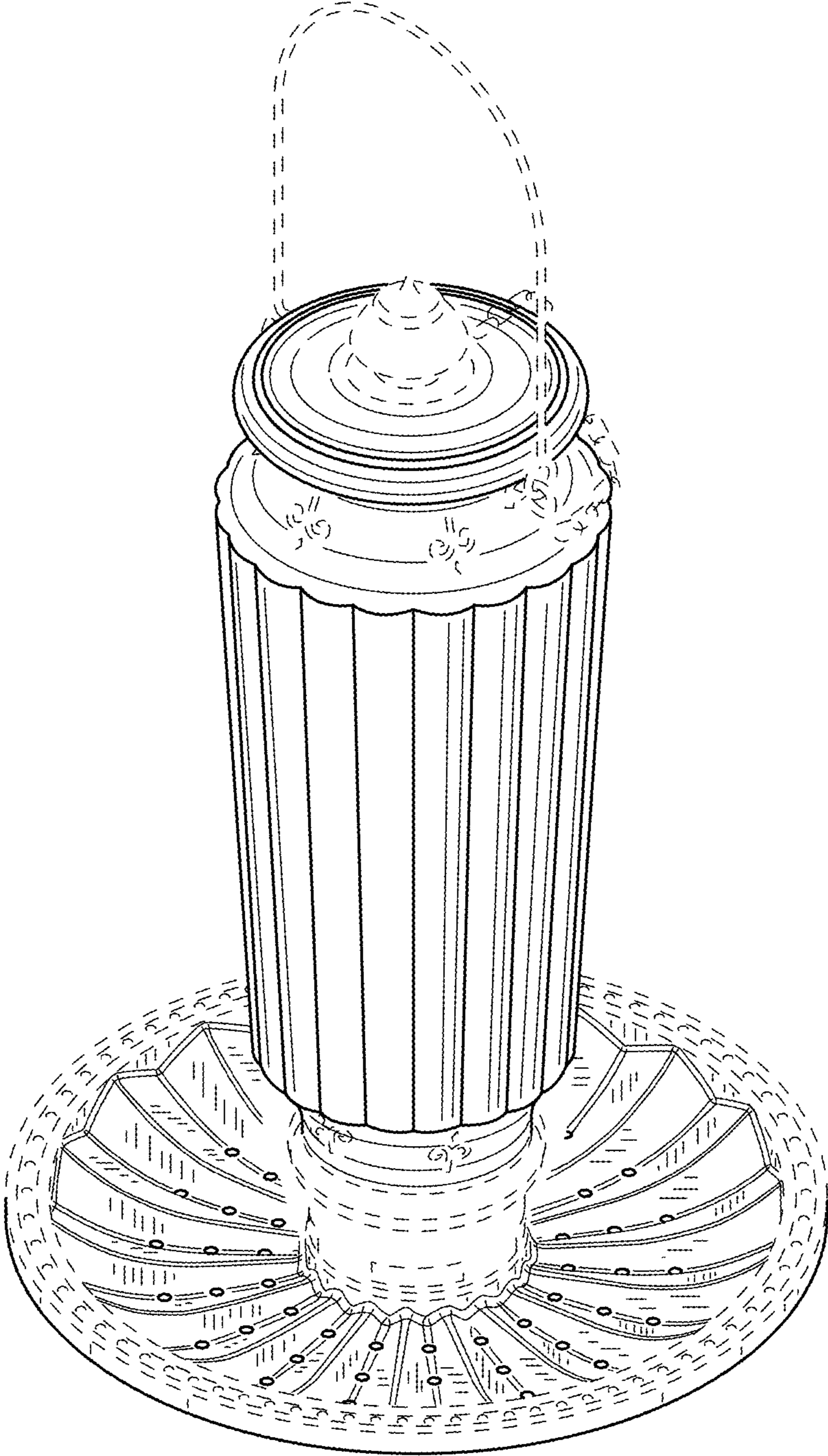


FIG.1

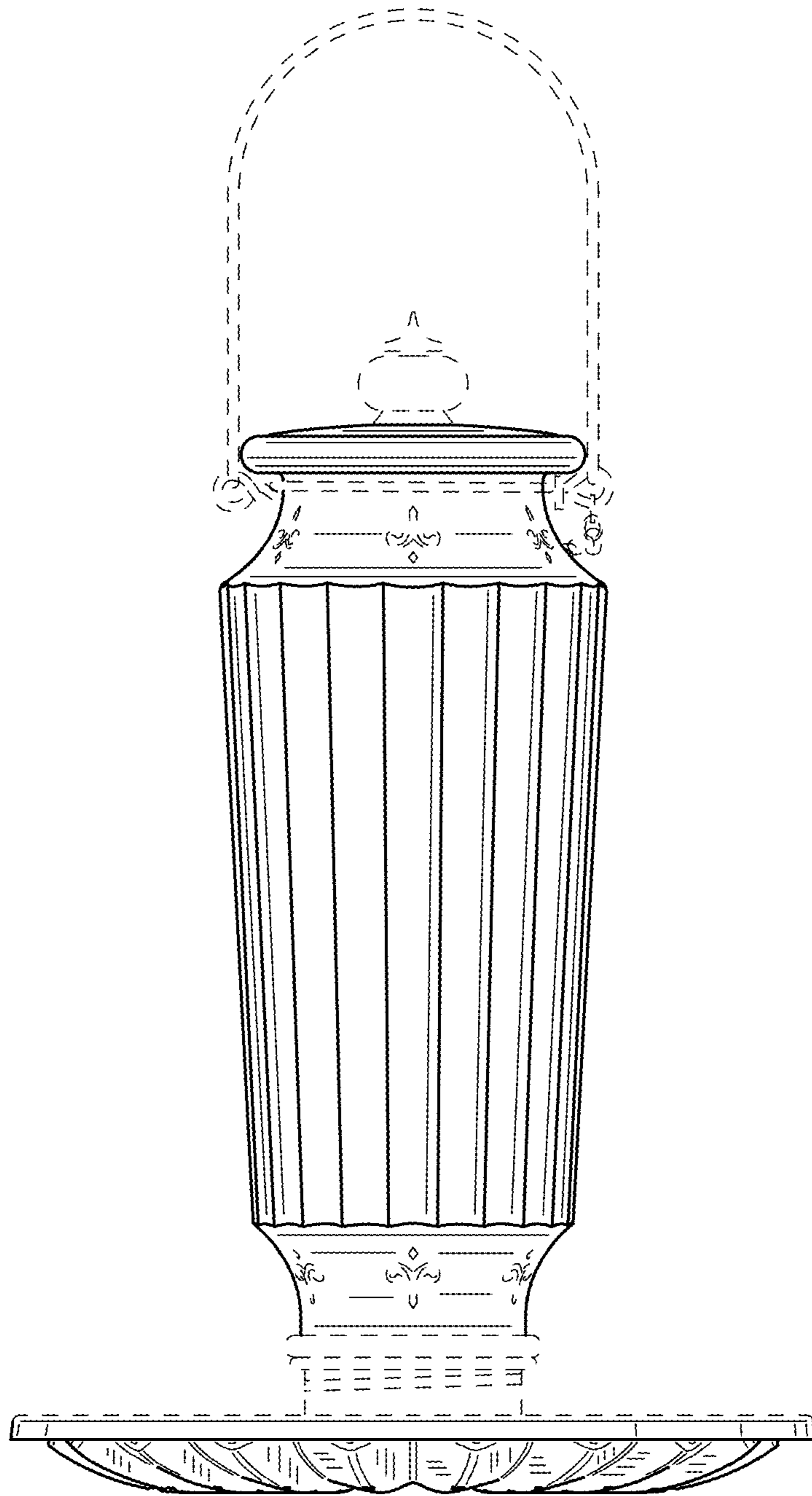


FIG.2

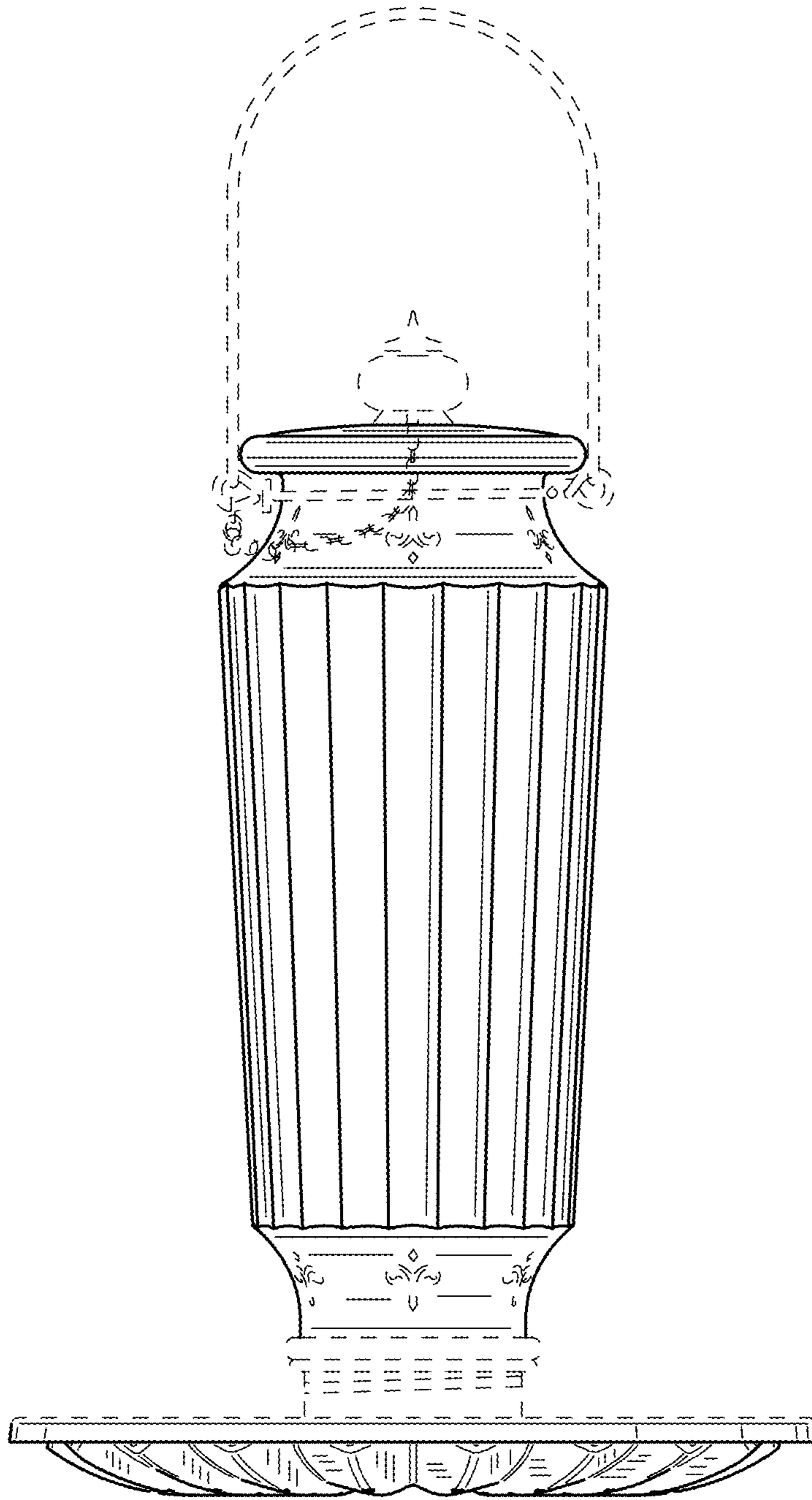


FIG.3

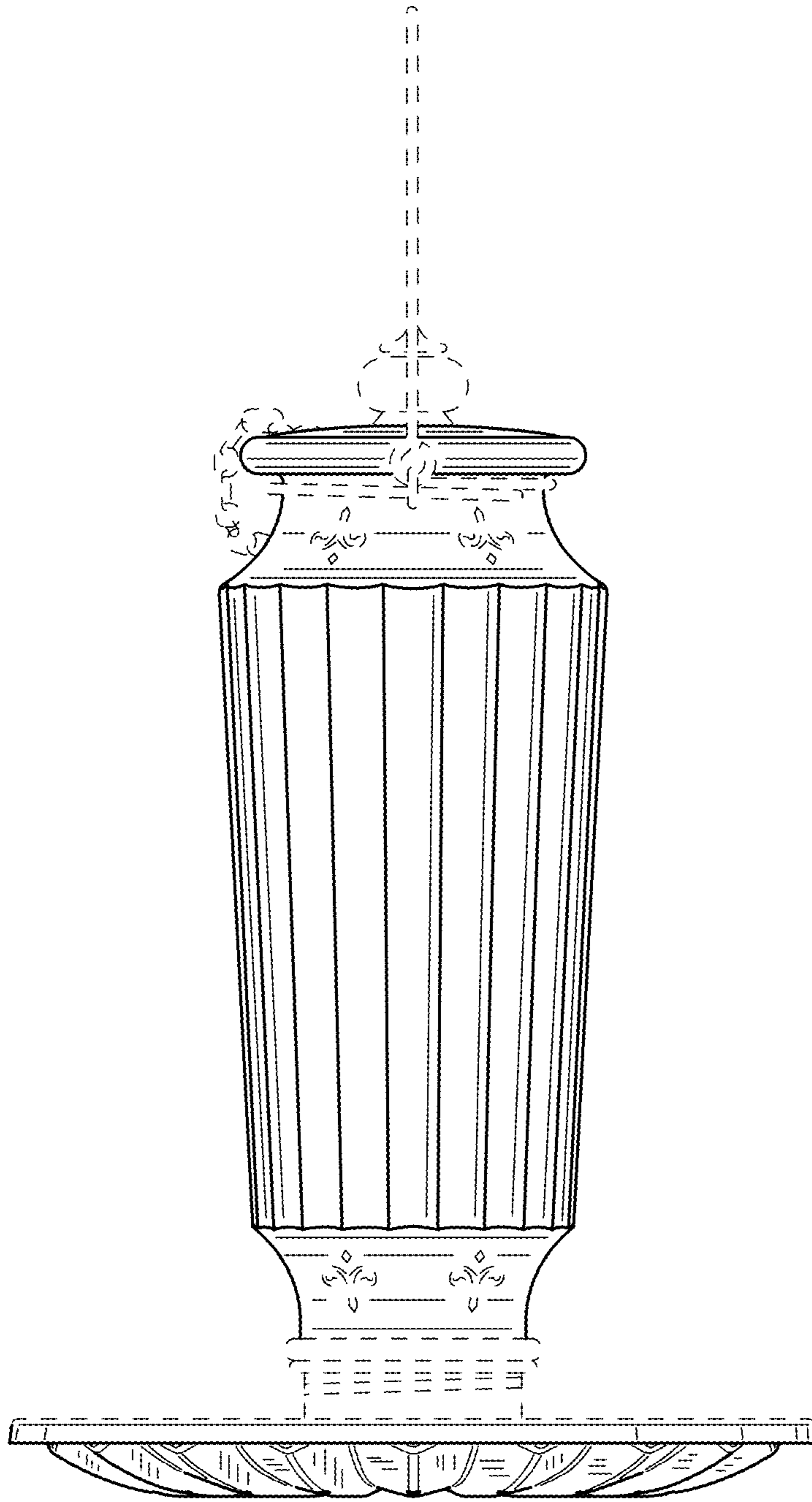


FIG.4

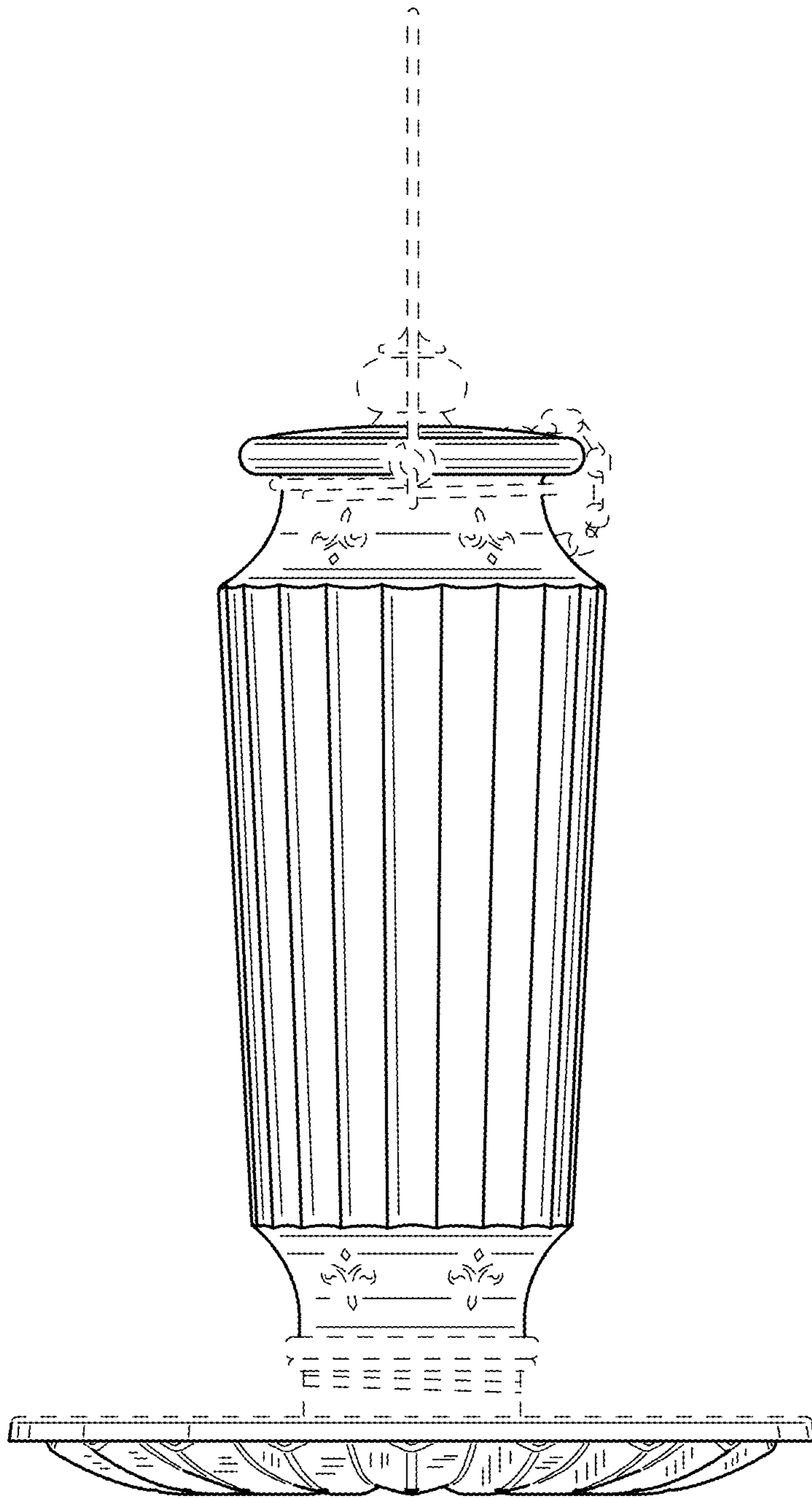


FIG.5

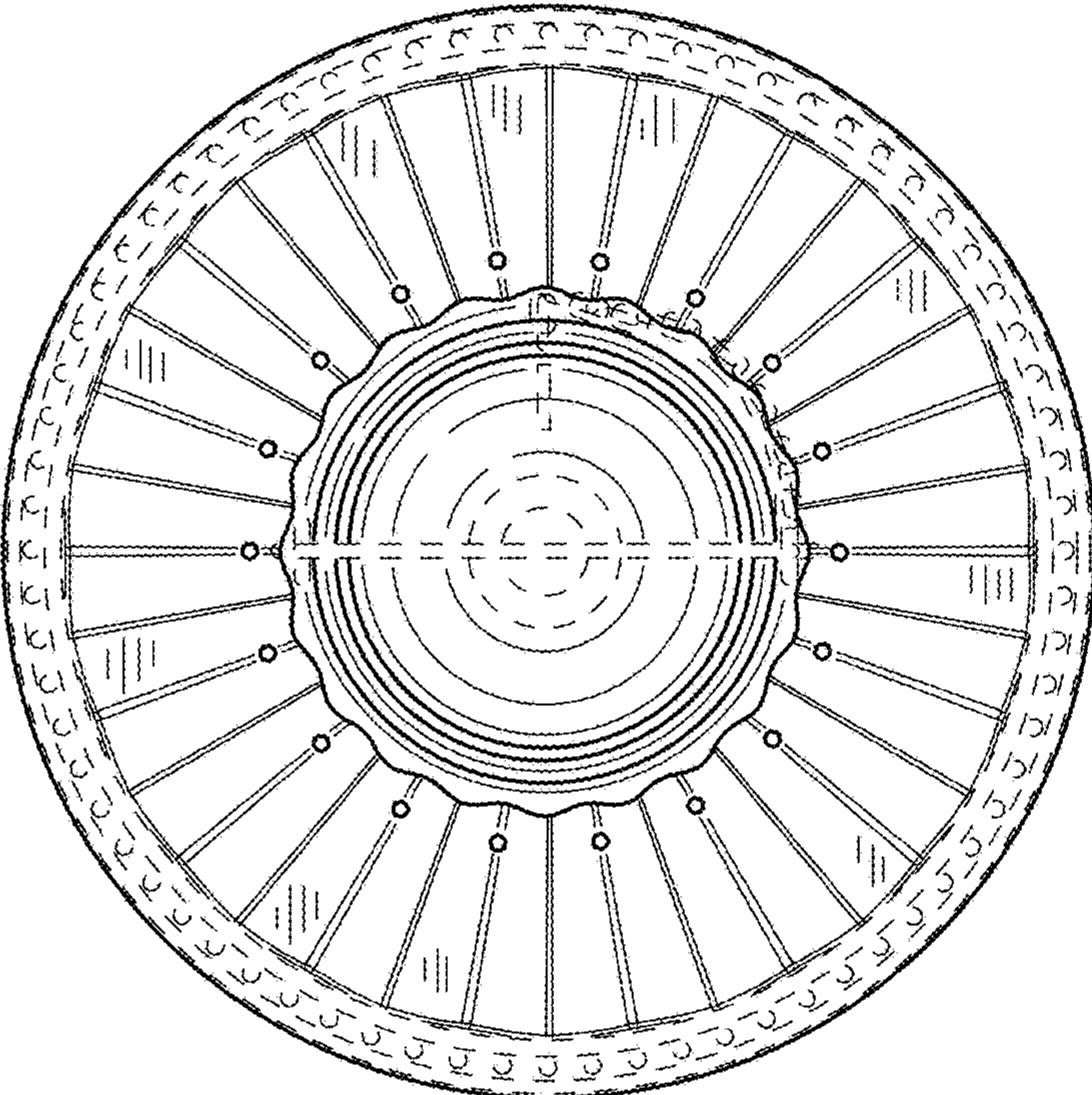


FIG. 6

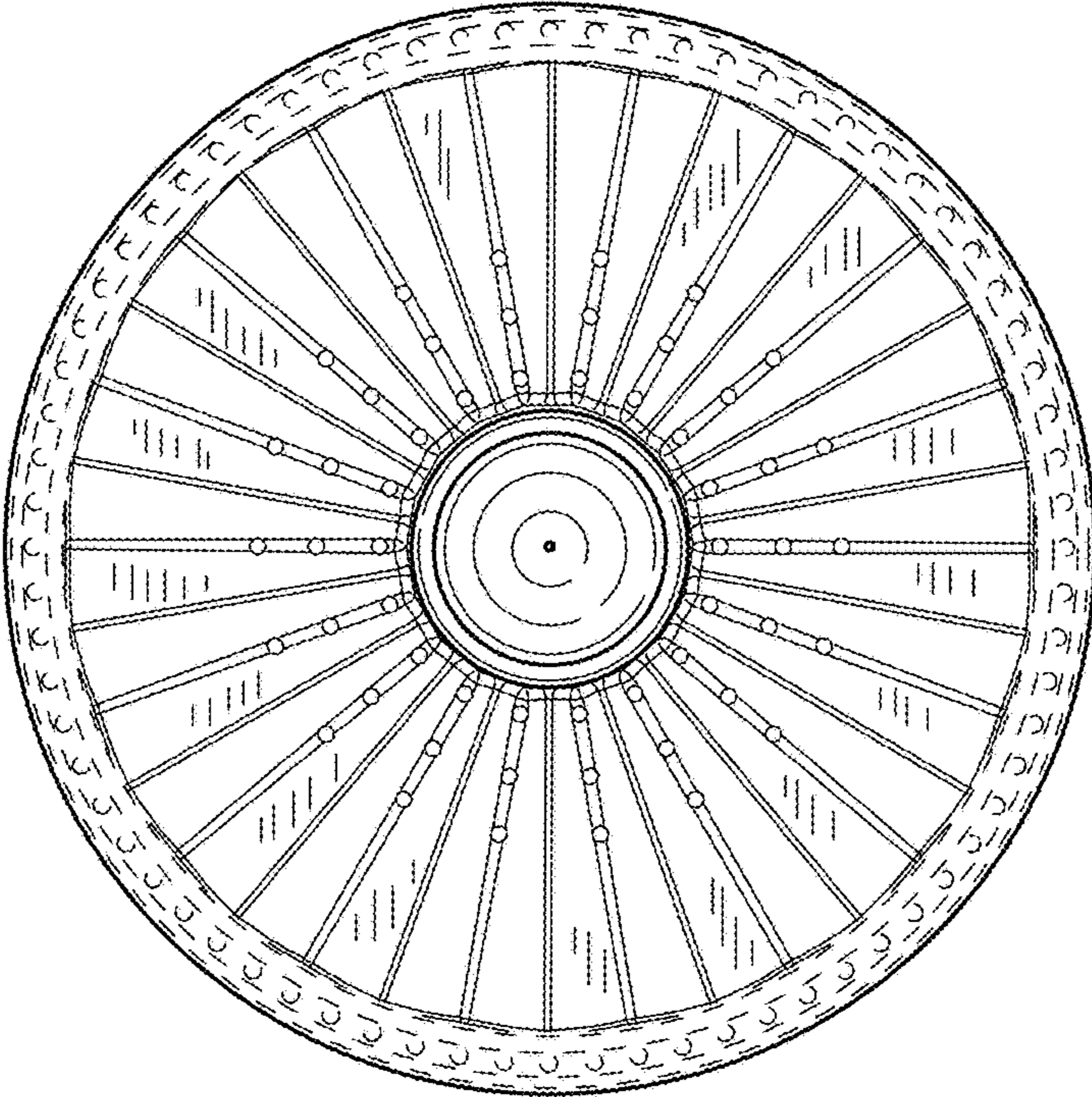


FIG. 7

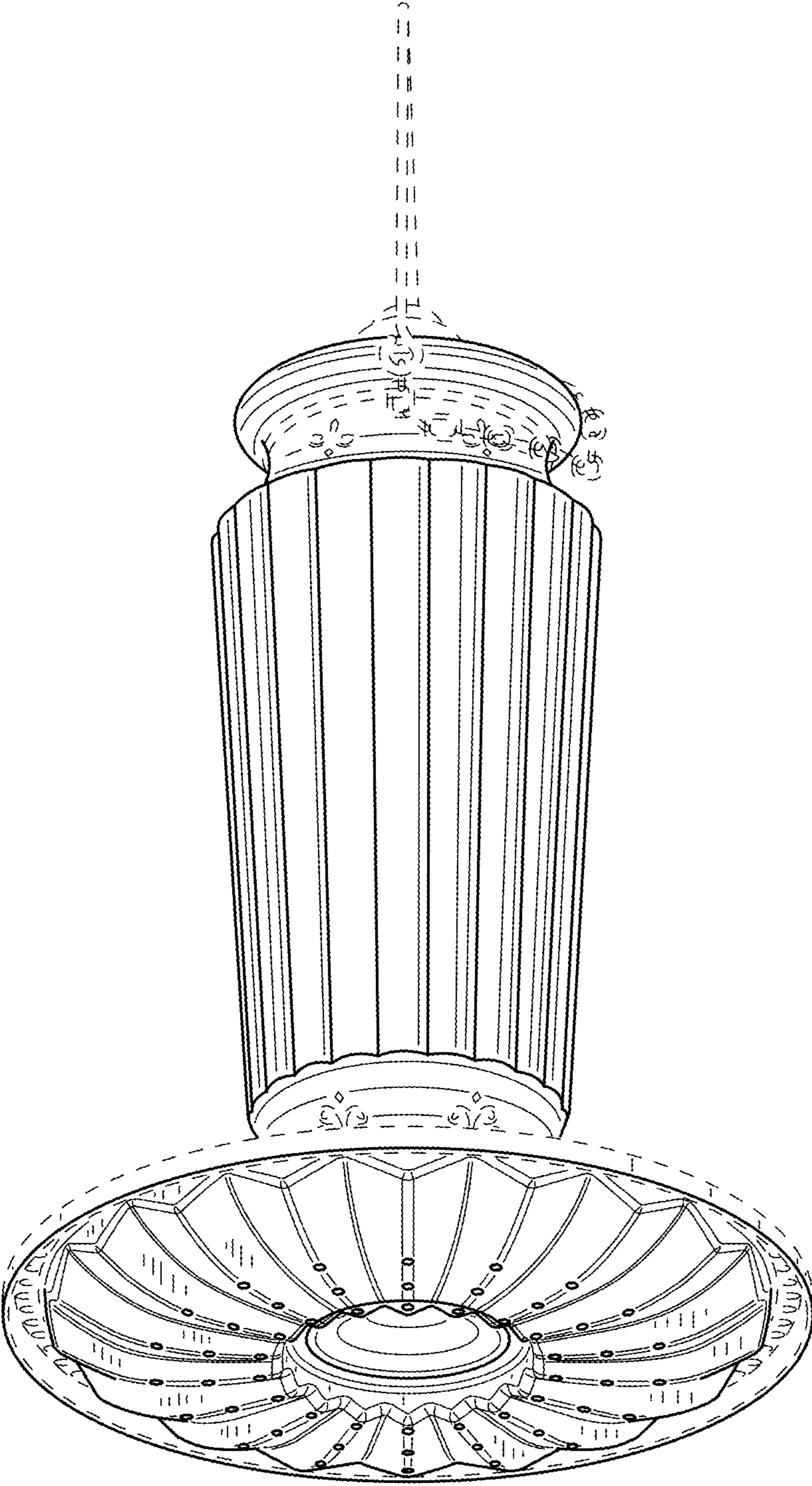


FIG. 8