



US00D821657S

(12) **United States Design Patent**  
**Jakubowski et al.**

(10) **Patent No.:** **US D821,657 S**  
(45) **Date of Patent:** **\*\* Jun. 26, 2018**

(54) **PET BOOSTER SEAT**

(71) Applicant: **Vermont Juvenile Furniture Mfg., Inc.**, West Rutland, VT (US)

(72) Inventors: **Chris Jakubowski**, Rutland, VT (US);  
**Rich Wu**, Taichung (TW)

(73) Assignee: **Vermont Juvenile Furniture Mfg., Inc.**, West Rutland, VT (US)

(\*\*) Term: **15 Years**

(21) Appl. No.: **29/595,969**

(22) Filed: **Mar. 3, 2017**

**Related U.S. Application Data**

(63) Continuation-in-part of application No. 29/521,626, filed on Mar. 25, 2015, now abandoned.

(51) **LOC (11) Cl.** ..... **30-06**

(52) **U.S. Cl.**  
USPC ..... **D30/118**

(58) **Field of Classification Search**  
USPC ..... D30/118; D6/333, 601, 604, 390  
CPC ..... A01K 1/0281; A01K 1/035; A01K 1/35;  
A01K 29/00; A01K 1/353  
See application file for complete search history.

(56) **References Cited**

**U.S. PATENT DOCUMENTS**

D151,291 S	10/1948	Shoemaker et al.	
D245,716 S	9/1977	Russo	
4,597,359 A	7/1986	Moorman	
D298,019 S *	10/1988	McMillen	D6/333
5,033,408 A	7/1991	Langenbahn	
5,123,377 A	6/1992	Edwards	
5,479,892 A	1/1996	Edwards	
5,551,373 A	9/1996	O'Donnell	
D376,447 S	12/1996	Stump	
5,685,258 A	11/1997	Fricano	

5,718,191 A	2/1998	O'Donnell
5,785,003 A	7/1998	Jacobson et al.
5,832,874 A	11/1998	Ravin
D461,966 S	8/2002	Reece
6,588,365 B2	7/2003	Best Wright
6,907,842 B2	6/2005	Godshaw
D528,706 S	9/2006	Jefferson
7,204,205 B2	4/2007	O'Donnell
7,383,789 B2	6/2008	Wilkes
7,448,345 B1	11/2008	O'Donnell
D591,005 S	4/2009	Bennett
D592,361 S	5/2009	Jakubowski et al.
7,574,975 B2	8/2009	Kline
7,717,062 B2	5/2010	Kline

(Continued)

*Primary Examiner* — Cathy Anne MacCormac

(74) *Attorney, Agent, or Firm* — Volpe and Koenig, P.C.

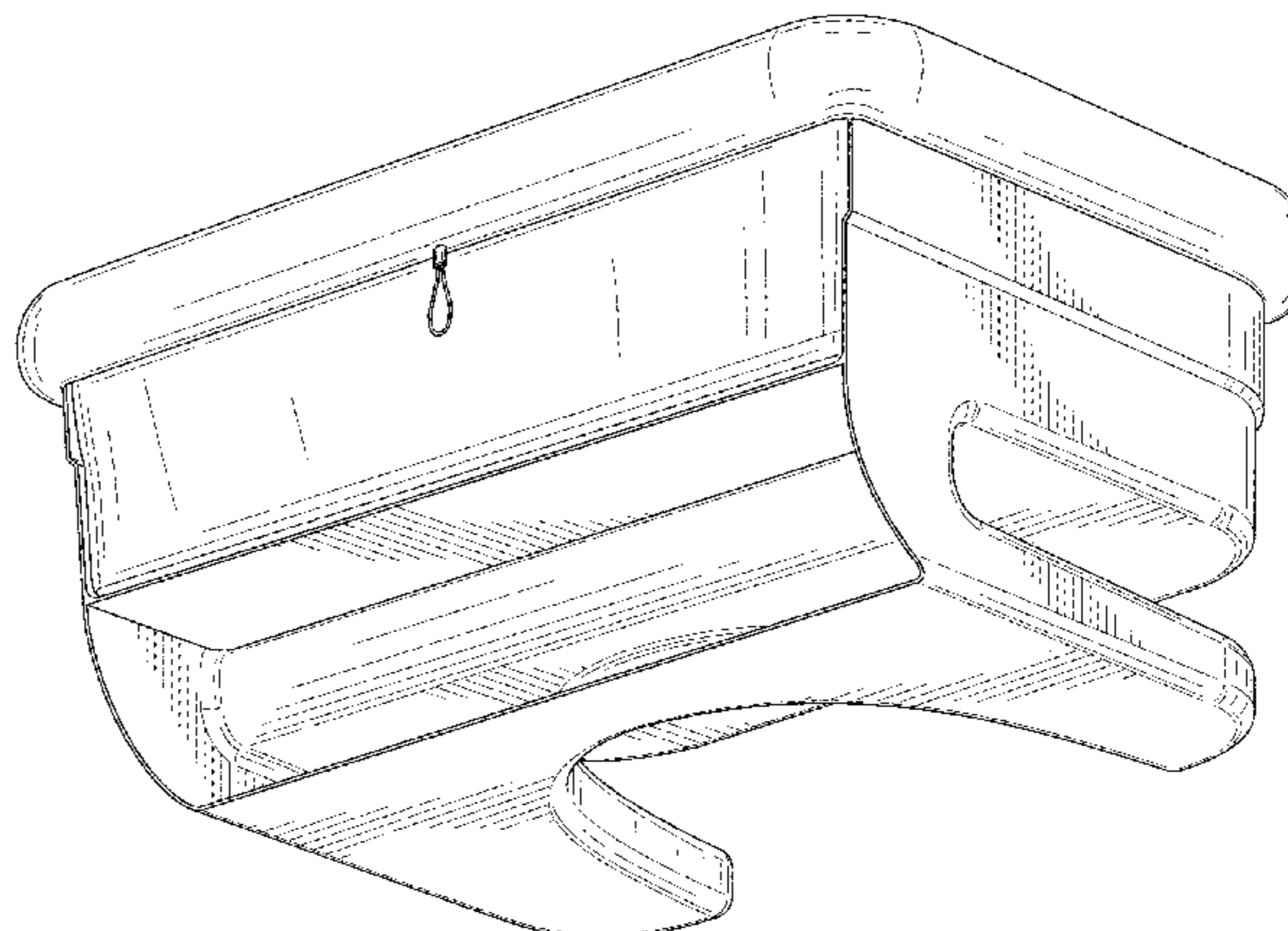
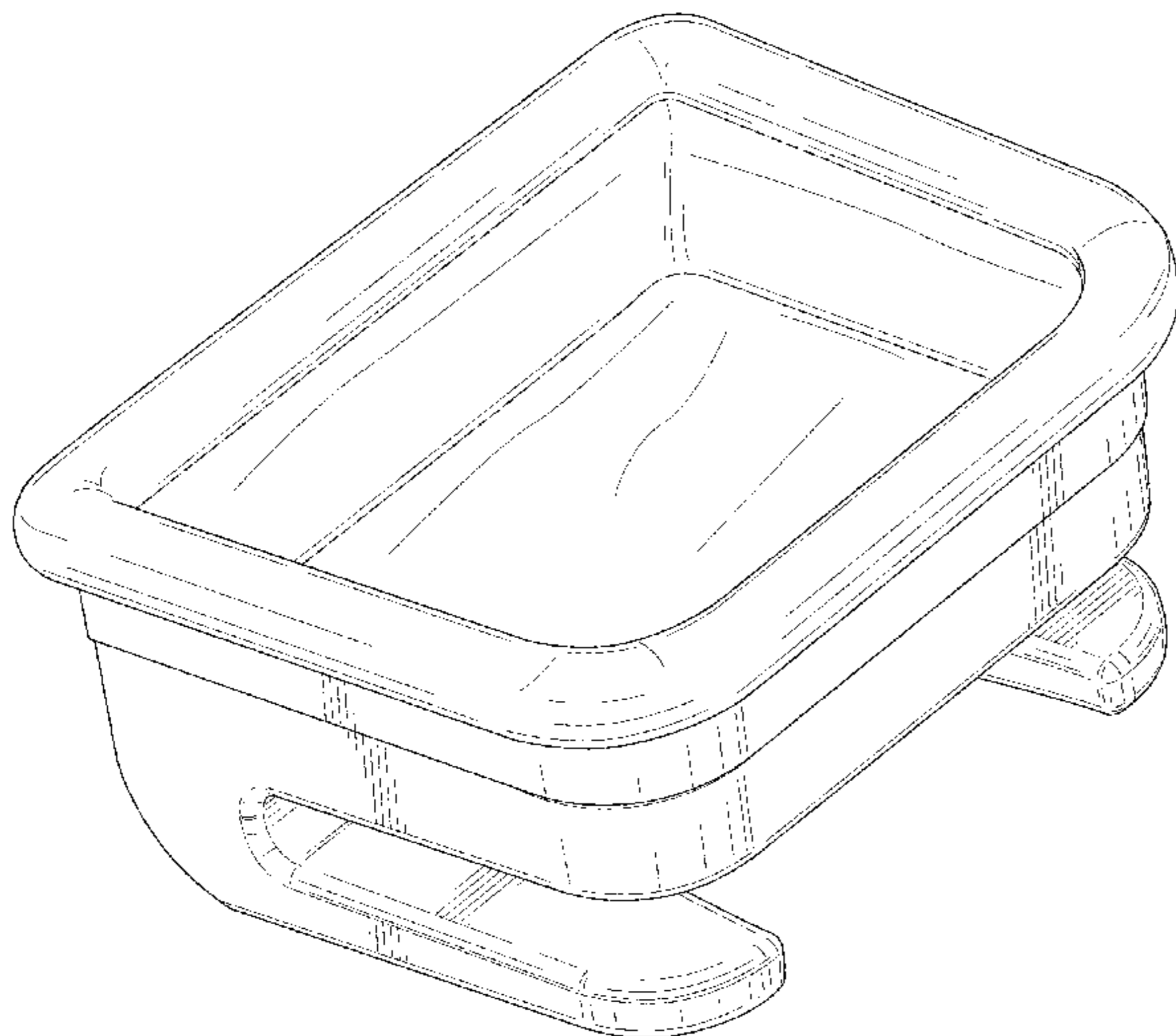
(57) **CLAIM**

We claim the ornamental design for a pet booster seat, as shown and described.

**DESCRIPTION**

FIG. 1 is a top, front, left perspective view of a pet booster seat in accordance with our design;  
 FIG. 2 is a front elevational view thereof;  
 FIG. 3 is a rear elevational view thereof;  
 FIG. 4 is a left side elevational view thereof;  
 FIG. 5 is a right side elevational view thereof;  
 FIG. 6 is a top plan view thereof;  
 FIG. 7 is a bottom view thereof;  
 FIG. 8 is a top, left, rear perspective view thereof;  
 FIG. 9 is a bottom, left, rear perspective view thereof;  
 FIG. 10 is a cross-sectional view thereof taken along line 10-10 in FIG. 2;  
 FIG. 11 is a cross-sectional view thereof taken along line 11-11 in FIG. 2; and,  
 FIG. 12 is a cross-sectional view thereof taken along line 12-12 in FIG. 2.

**1 Claim, 12 Drawing Sheets**



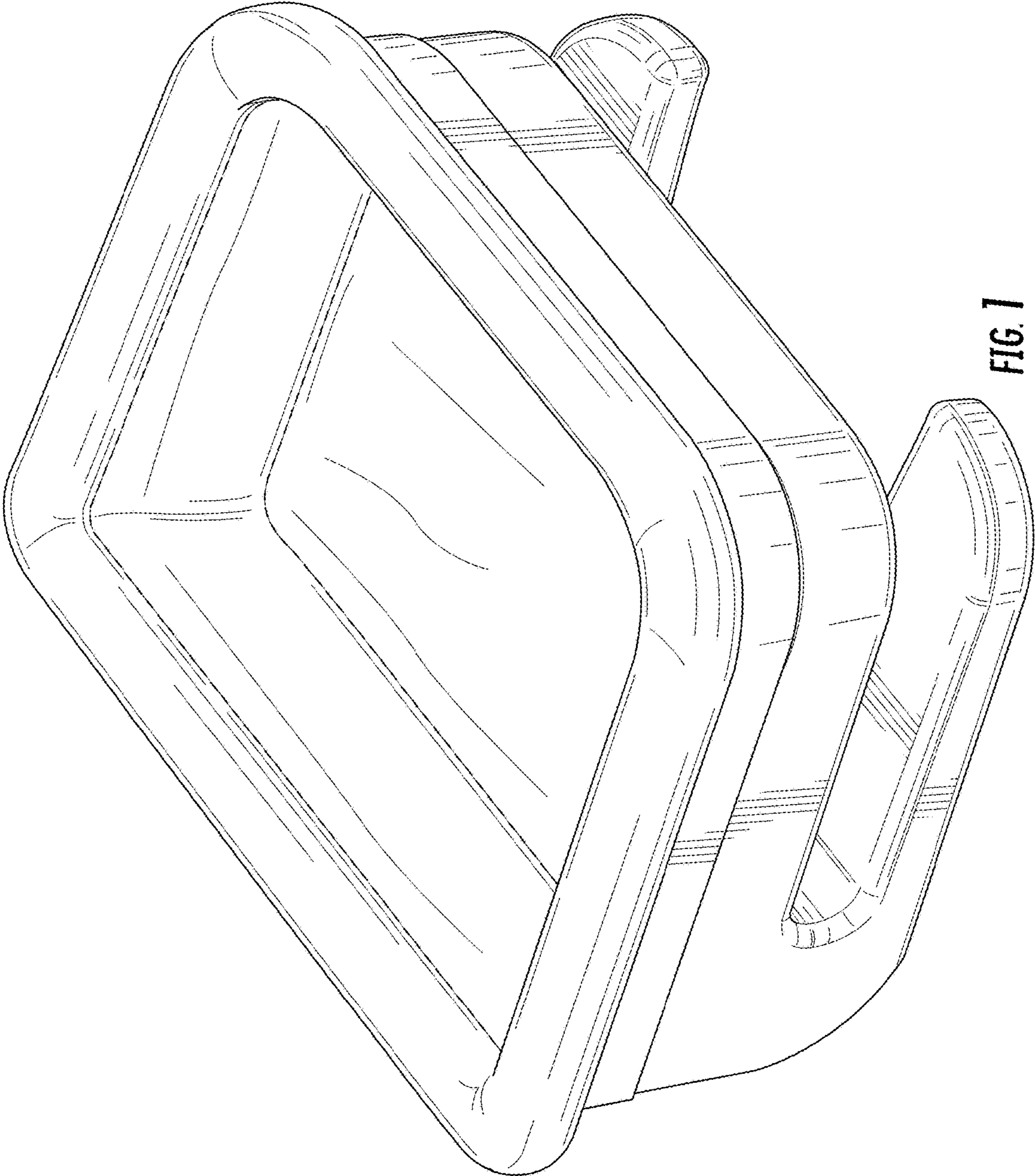
(56)

**References Cited**

U.S. PATENT DOCUMENTS

7,886,694	B2	2/2011	Jakubowski et al.
D695,030	S	12/2013	Buitendag
8,607,735	B1	12/2013	Klinker
2005/0127624	A1	6/2005	Cohen-Fyffe
2008/0184937	A1	8/2008	Hoffman et al.
2009/0199770	A1	8/2009	Jakubowski et al.
2013/0220231	A1	8/2013	Hovsepian

\* cited by examiner



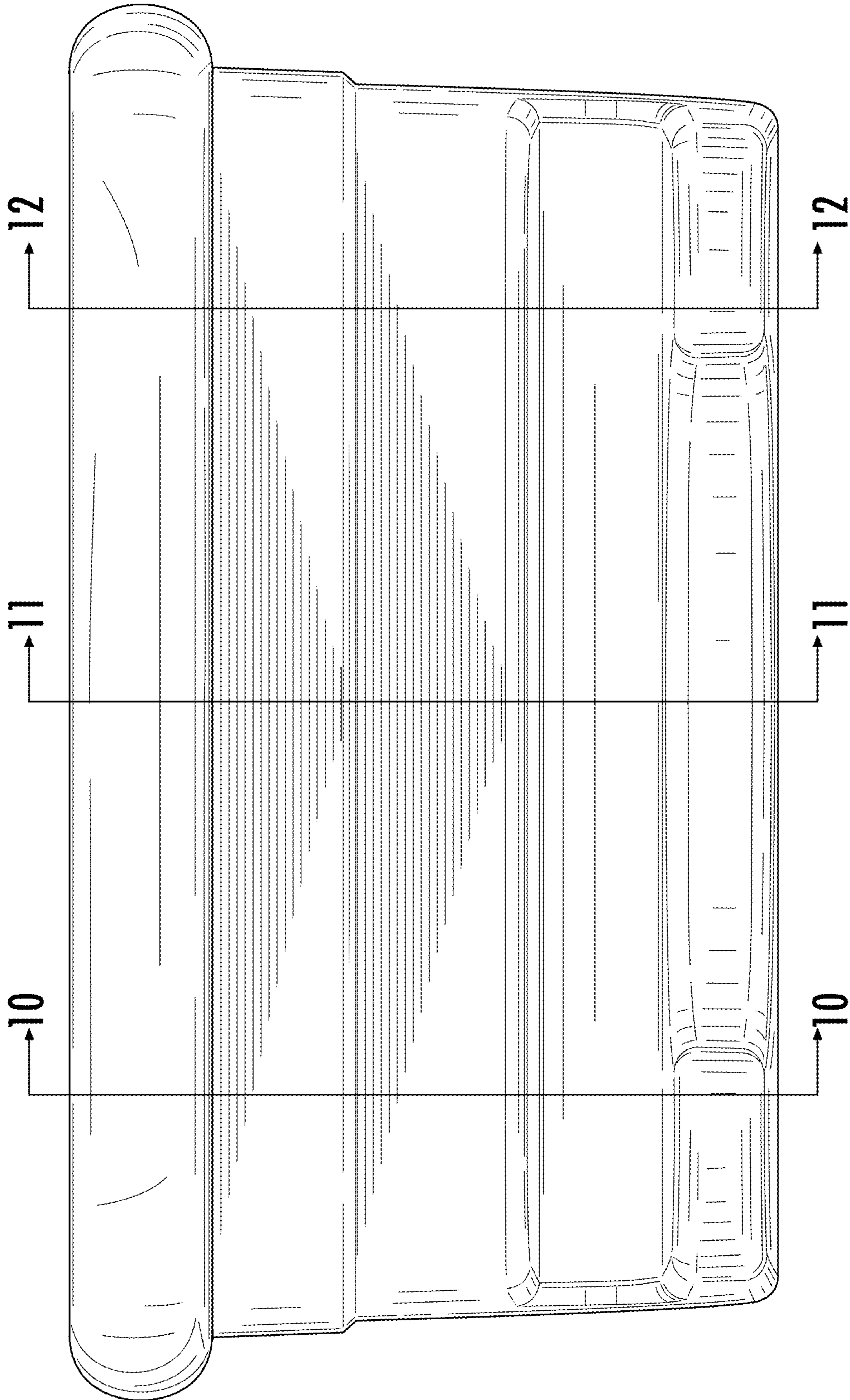


FIG. 2

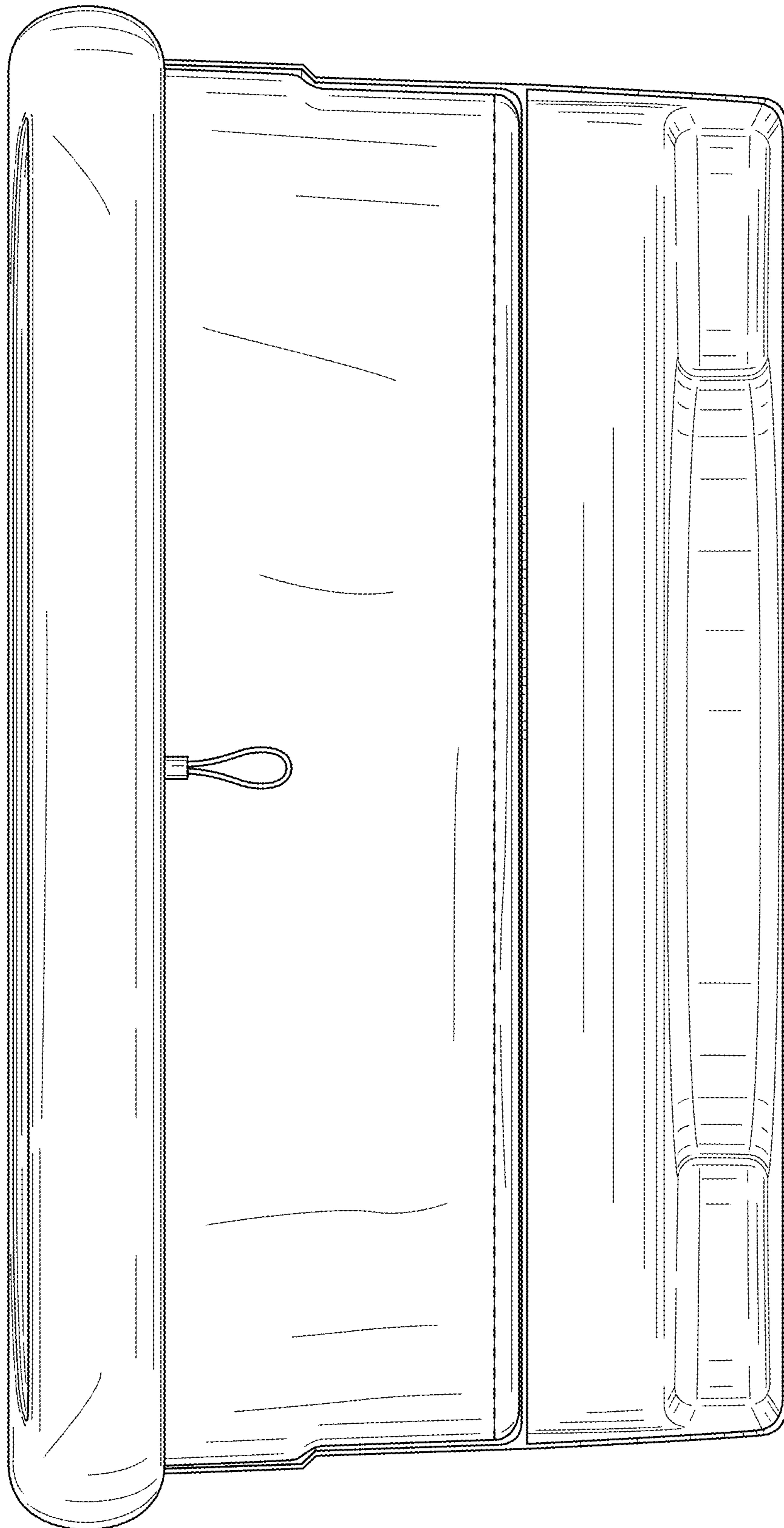


FIG. 3

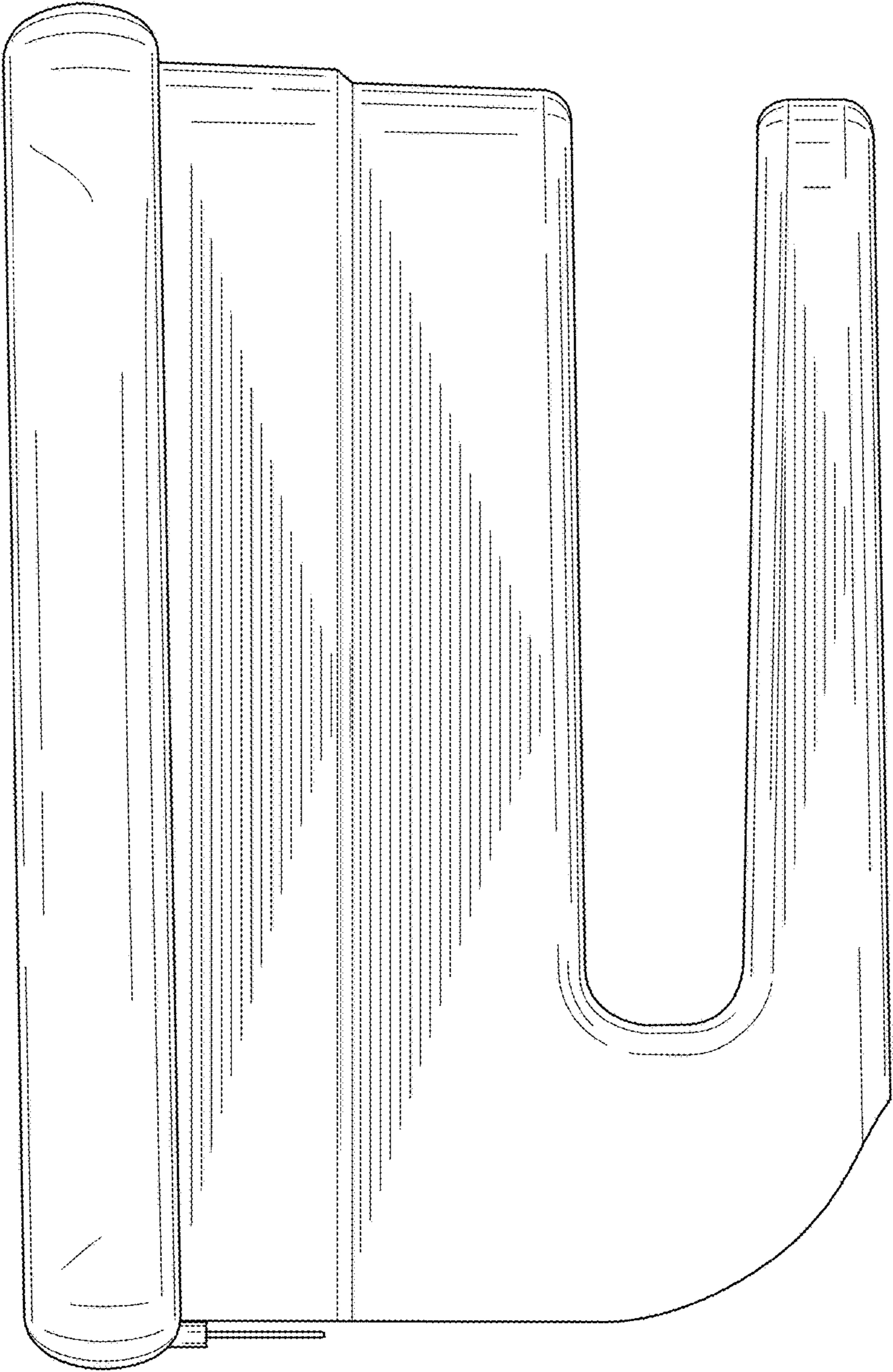


FIG. 4

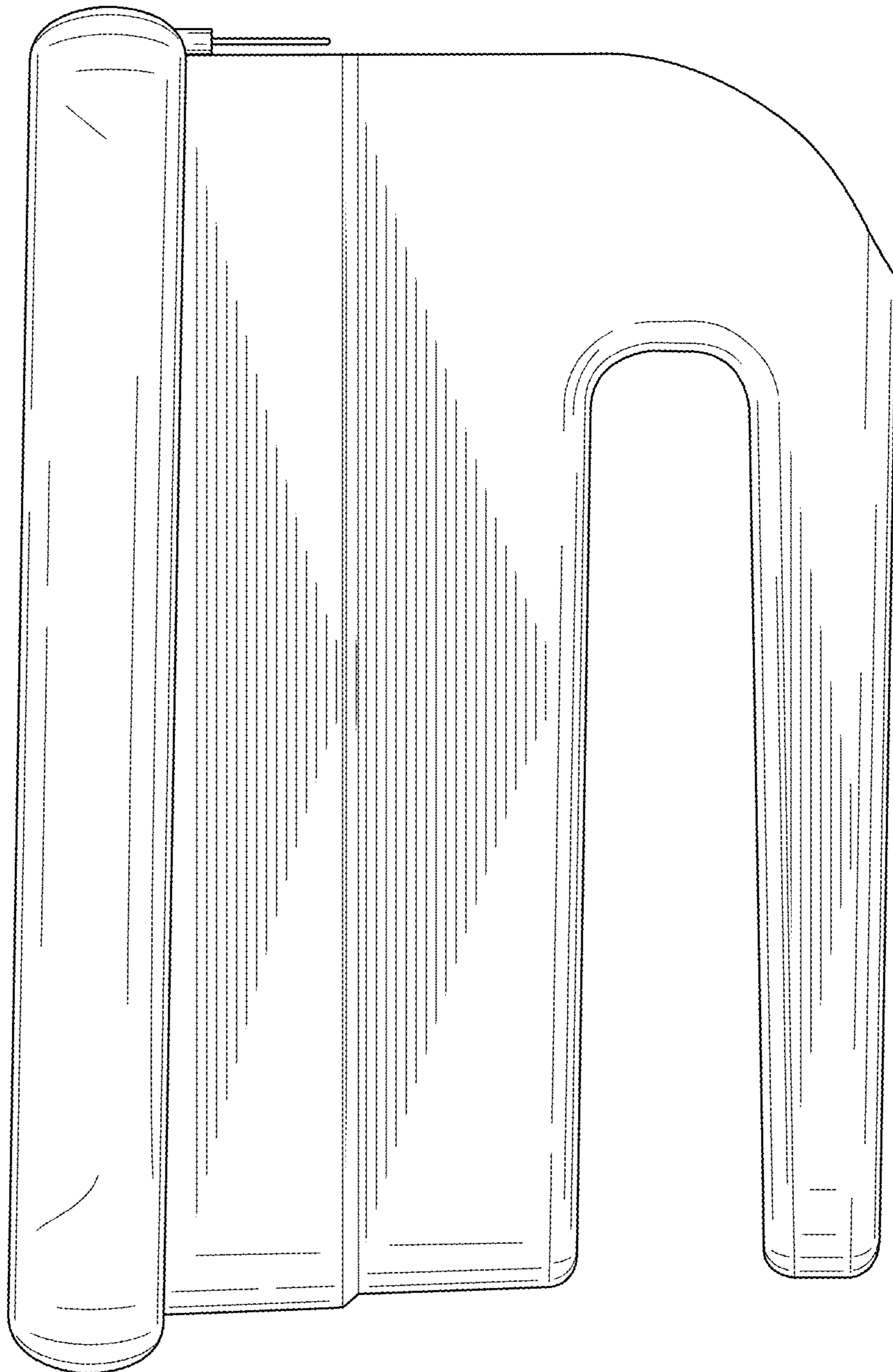


FIG. 5

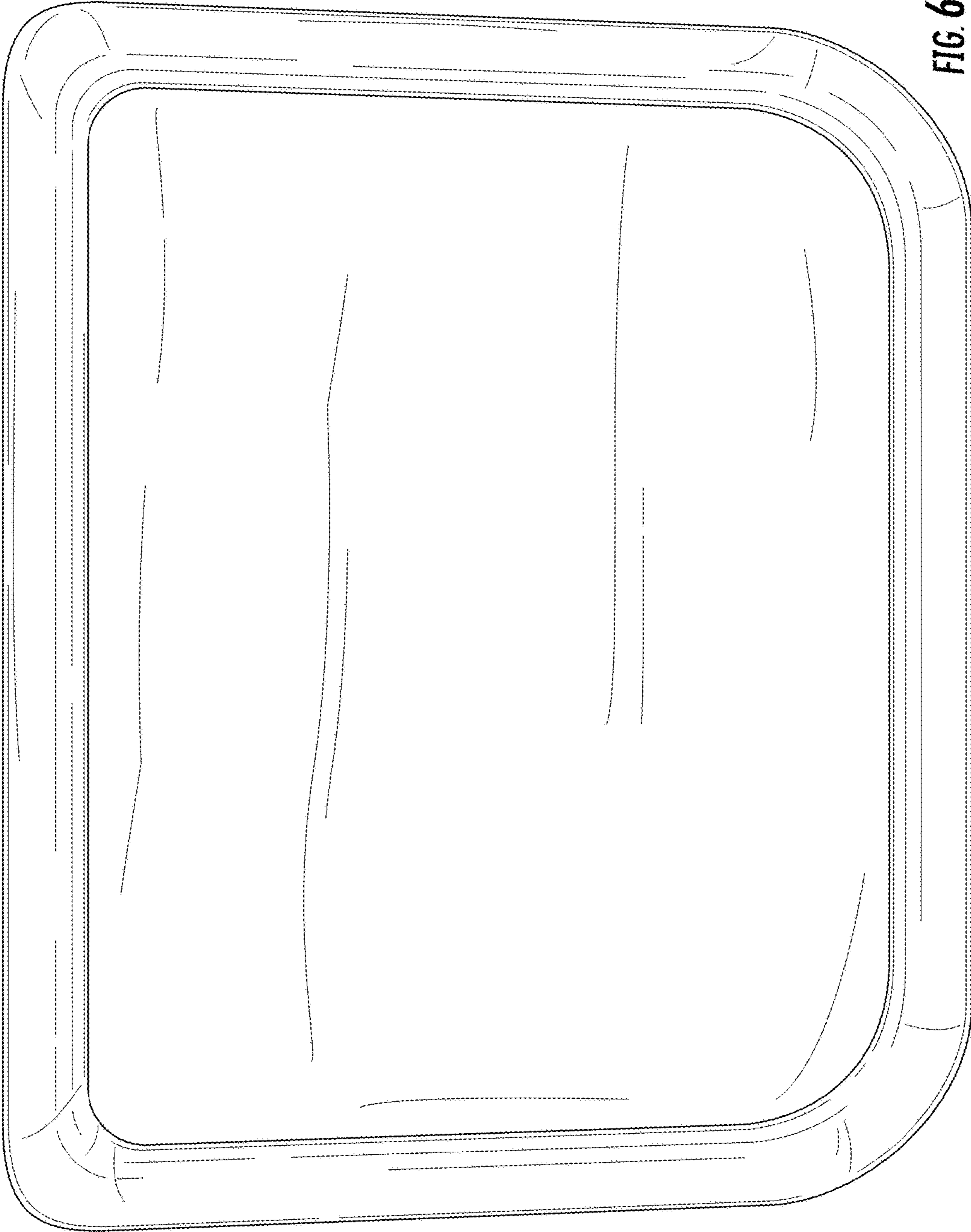


FIG. 6



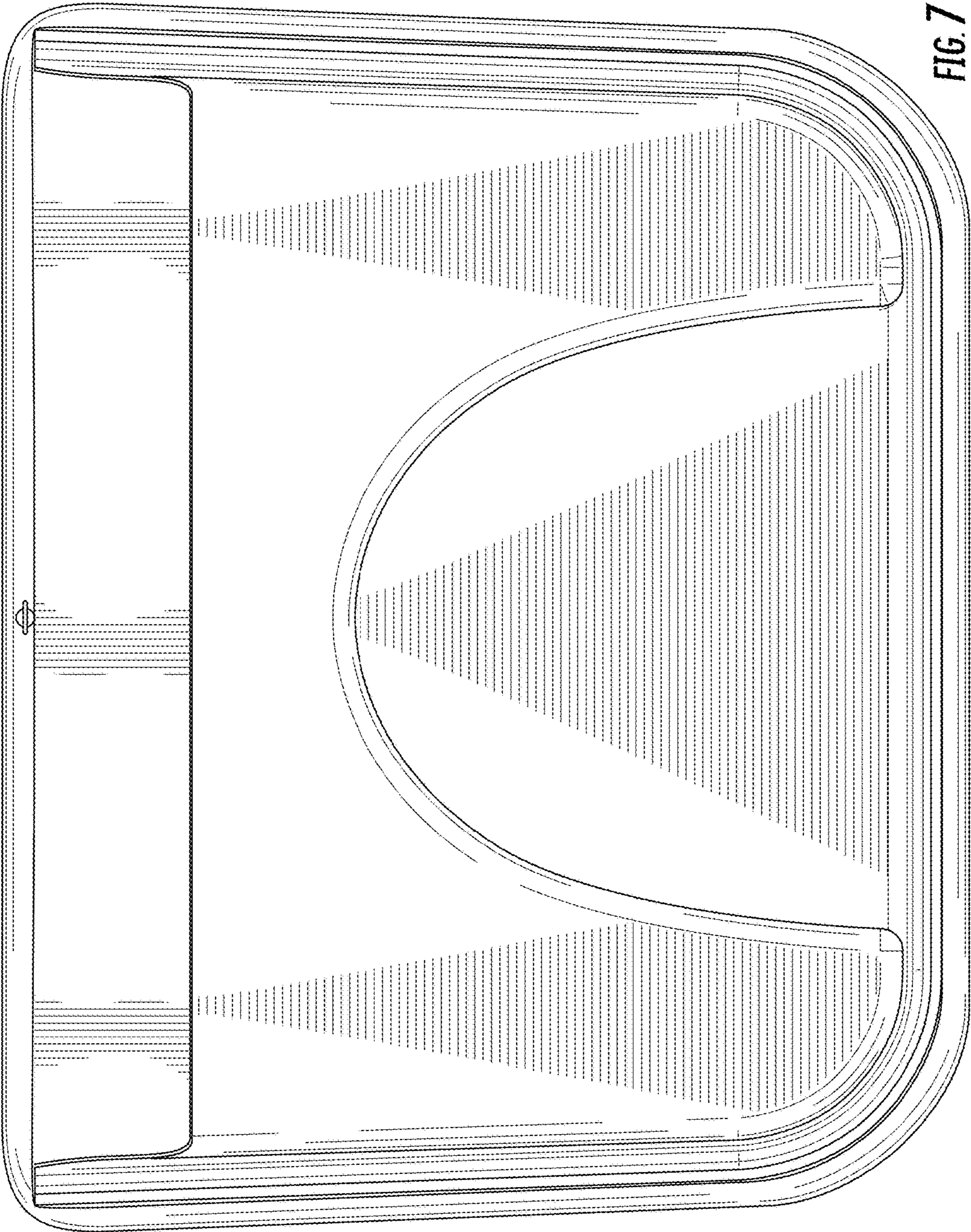


FIG. 7

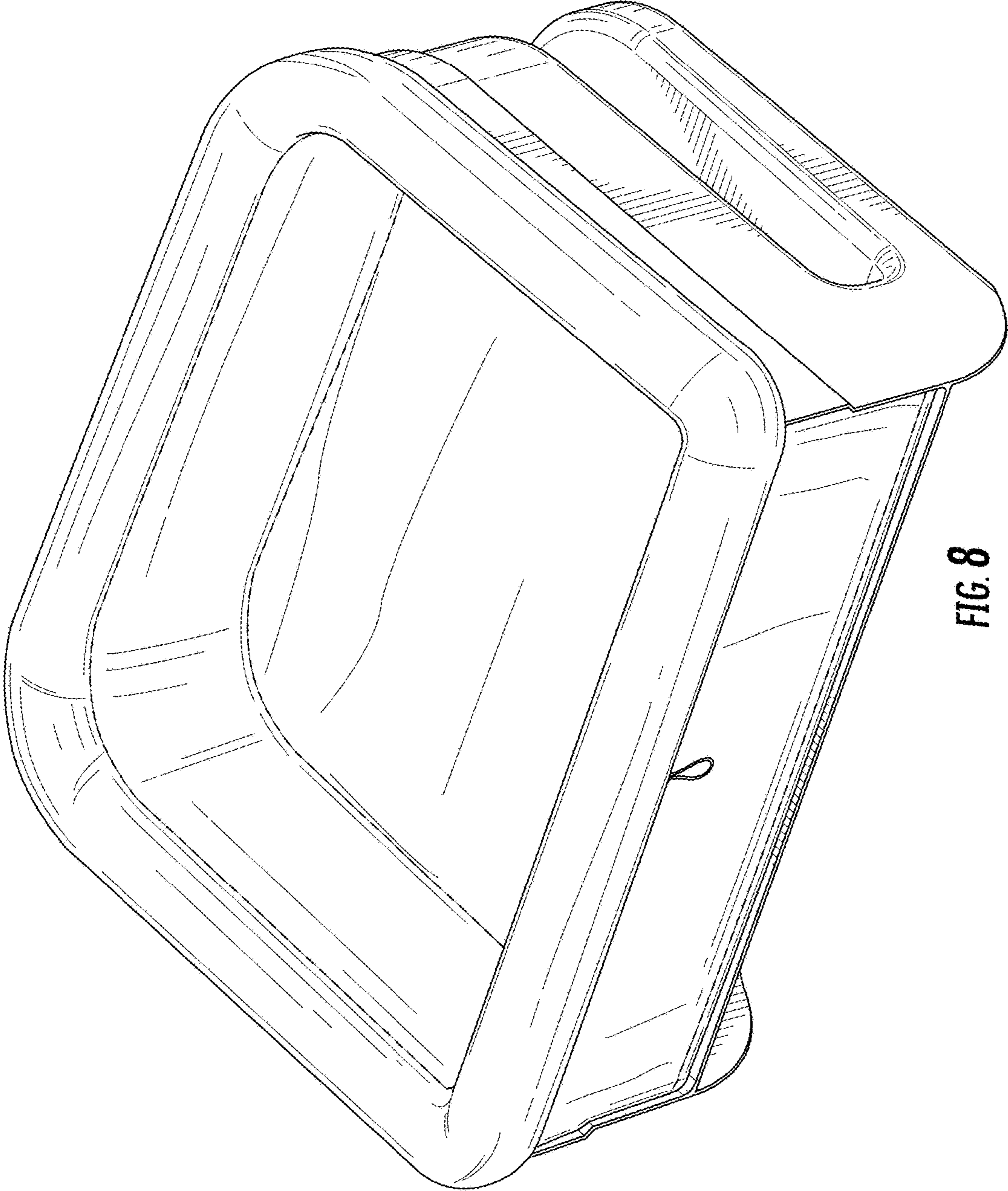


FIG. 8

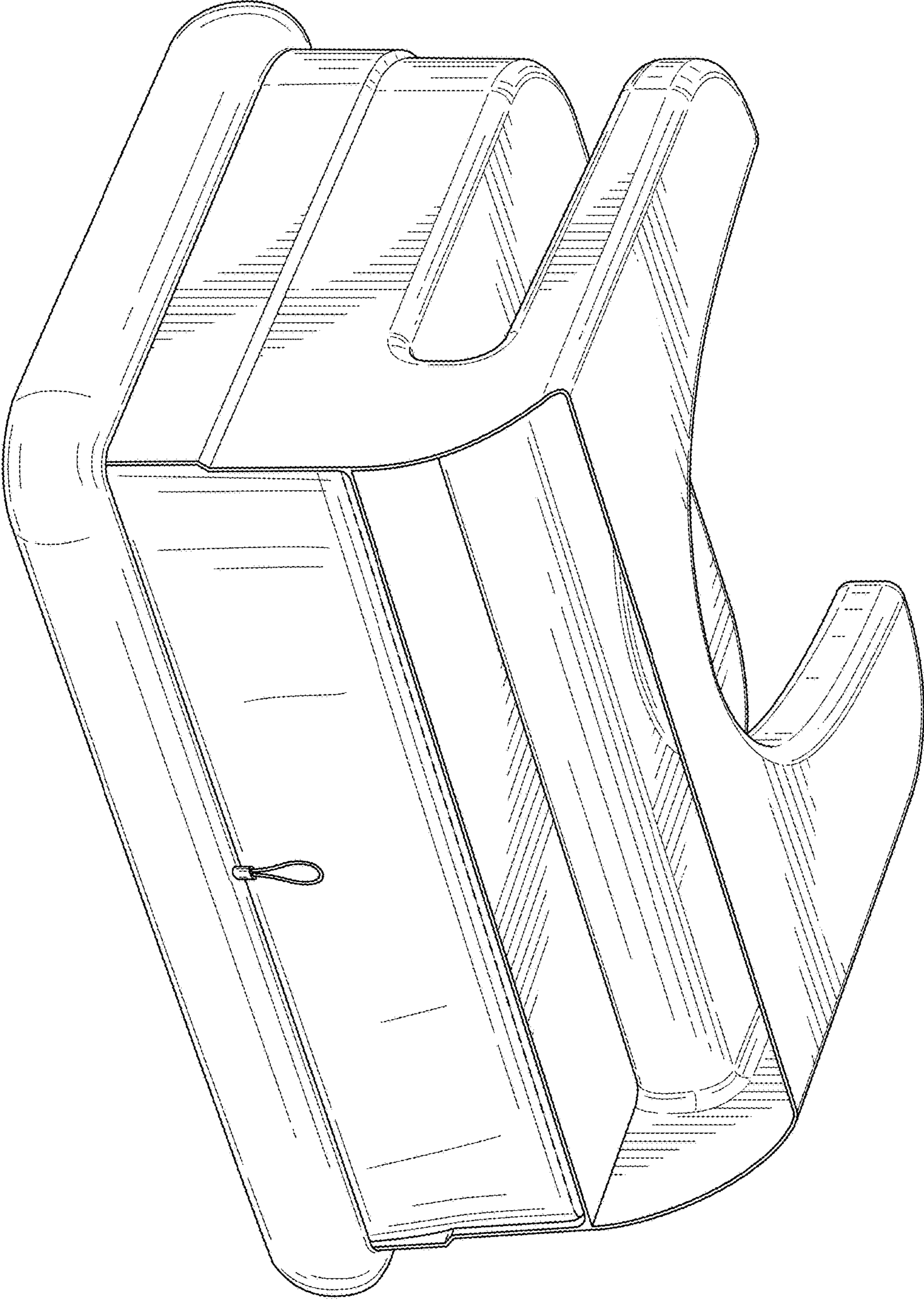


FIG. 9

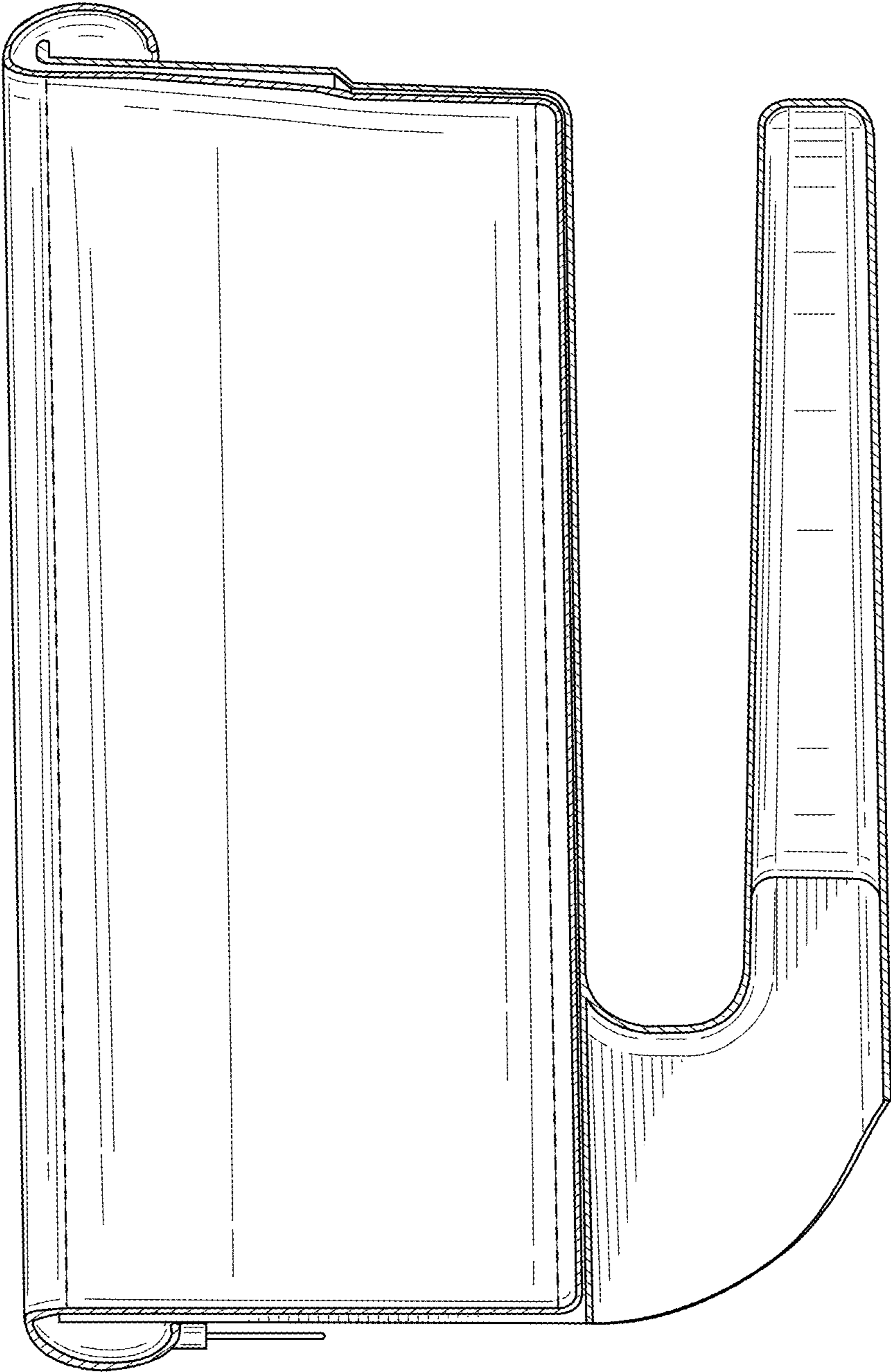


FIG. 10

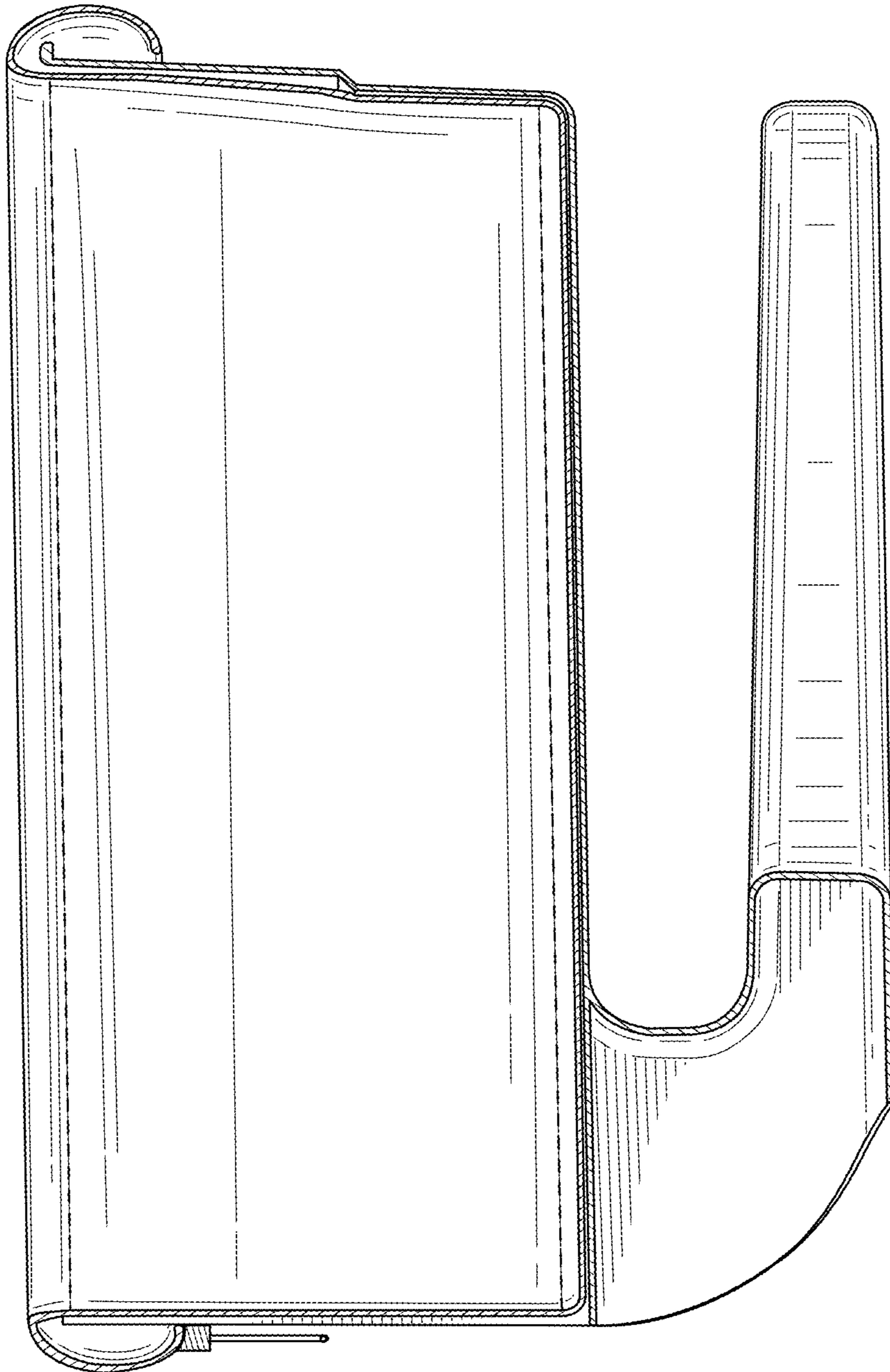
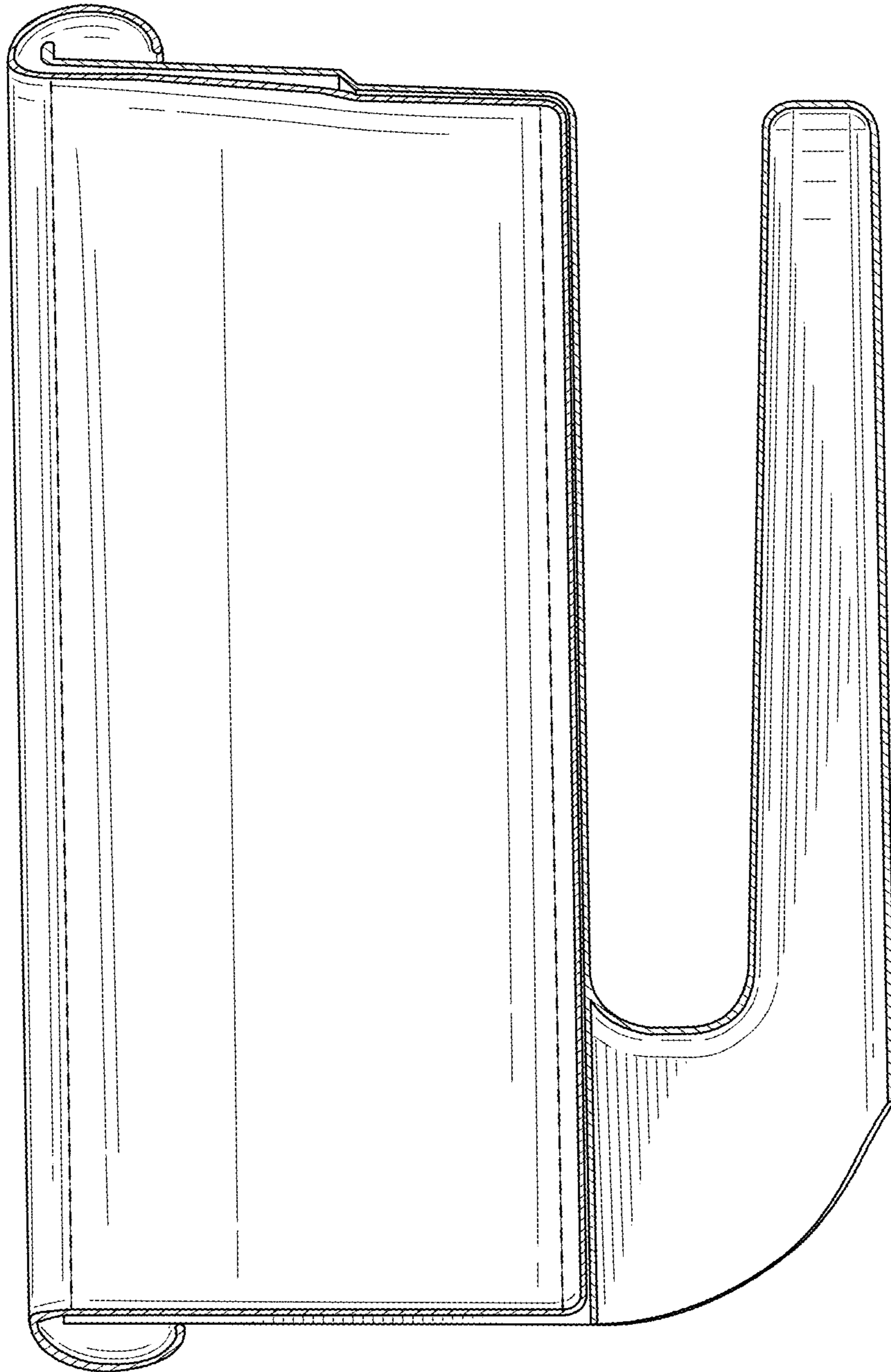


FIG. 11



**FIG. 12**