



US00D821655S

(12) **United States Design Patent**  
**Hanudel et al.**

(10) **Patent No.:** **US D821,655 S**  
(45) **Date of Patent:** **\*\* Jun. 26, 2018**

(54) **HELMET NAPE PAD**

- (71) Applicant: **Gentex Corporation**, Simpson, PA (US)
- (72) Inventors: **Matthew Hanudel**, Waltham, MA (US); **Duco Noordzij**, Roslindale, MA (US)
- (73) Assignee: **GENTEX CORPORATION**, Simpson, PA (US)
- (\*\*) Term: **15 Years**

- (21) Appl. No.: **29/596,708**
- (22) Filed: **Mar. 10, 2017**
- (51) **LOC (11) Cl.** ..... **29-02**
- (52) **U.S. Cl.**  
USPC ..... **D29/122**
- (58) **Field of Classification Search**  
USPC ..... D29/100, 102, 104, 105–110, 122  
CPC ..... A42B 3/04  
See application file for complete search history.

(56) **References Cited**

**U.S. PATENT DOCUMENTS**

2,446,122	A *	7/1948	Bills	.....	A42B 1/041 2/174
3,044,075	A *	7/1962	Rawlings	.....	A41D 13/015 2/22
3,046,560	A *	7/1962	De Grazia	.....	A42B 3/003 2/5
4,697,289	A *	10/1987	Luigi	.....	A42B 3/105 2/205
5,404,590	A *	4/1995	Monica, Jr.	.....	A63B 71/1291 2/425
6,874,170	B1 *	4/2005	Aaron	.....	A41D 13/0512 2/421
D729,981	S *	5/2015	Horton	.....	D29/101.2
D750,846	S	3/2016	Noordzij et al.		
D753,346	S *	4/2016	Erb	.....	D29/122
9,846,012	B2 *	12/2017	Crye	.....	F41H 1/04

**OTHER PUBLICATIONS**

OPS-Core 2012 Product Catalog; www.ops-core.com; Boston, MA, US; 44 pages; disclosed on or before Dec. 31, 2012.  
OPS-Core 2013 Product Catalog; www.ops-core.com; Boston, MA, US; 44 pages; first disclosed on Jan. 14, 2013.

\* cited by examiner

*Primary Examiner* — Randall H Gholson  
(74) *Attorney, Agent, or Firm* — Morgan, Lewis & Bockius LLP

(57) **CLAIM**

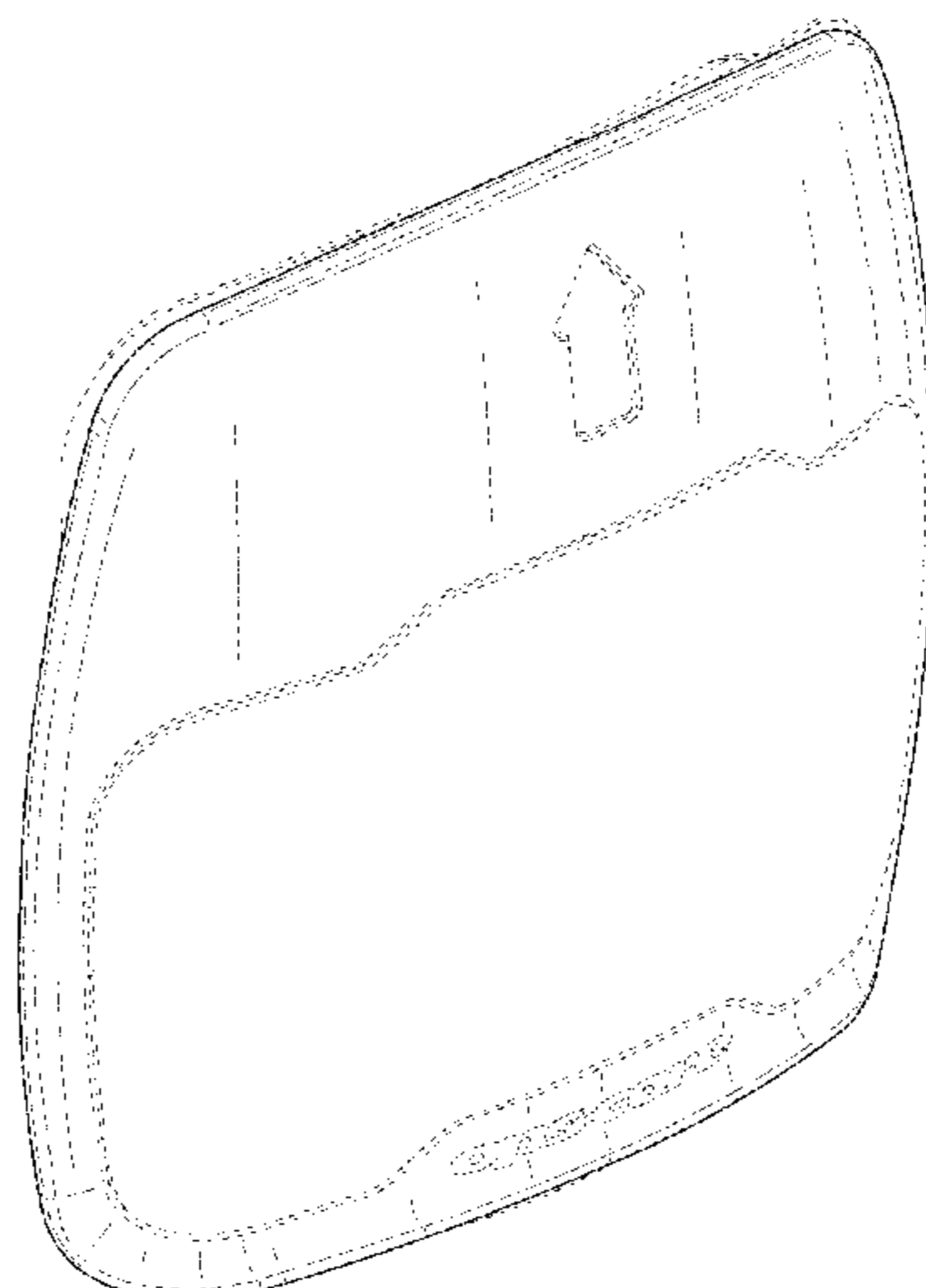
The ornamental design for a helmet nape pad, as shown and described.

**DESCRIPTION**

FIG. 1 is a rear perspective view of a helmet nape pad showing our new design;  
FIG. 2 is a front perspective view of the helmet nape pad shown in FIG. 1;  
FIG. 3 is a rear elevational view of the helmet nape pad shown in FIG. 1;  
FIG. 4 is a front elevational view of the helmet nape pad shown in FIG. 1;  
FIG. 5 is a left-side elevational view of the helmet nape pad shown in FIG. 1;  
FIG. 6 is a right-side elevational view of the helmet nape pad shown in FIG. 1;  
FIG. 7 is a top plan view of the helmet nape pad shown in FIG. 1; and,  
FIG. 8 is a bottom plan view of the helmet nape pad shown in FIG. 1.

The broken lines shown in the drawings represent portions of the helmet nape pad that form no part of the claimed design.

**1 Claim, 6 Drawing Sheets**



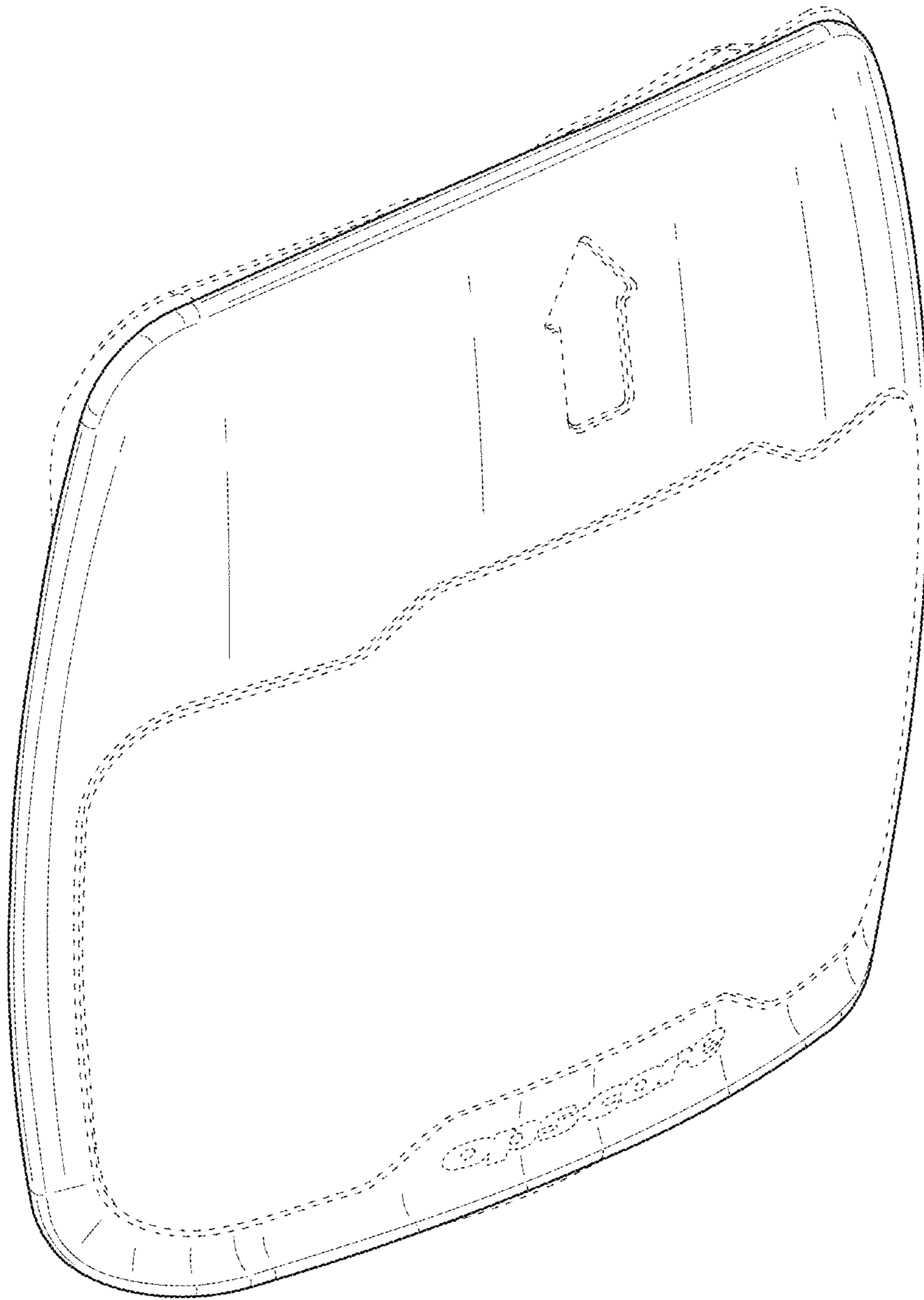


FIG. 1

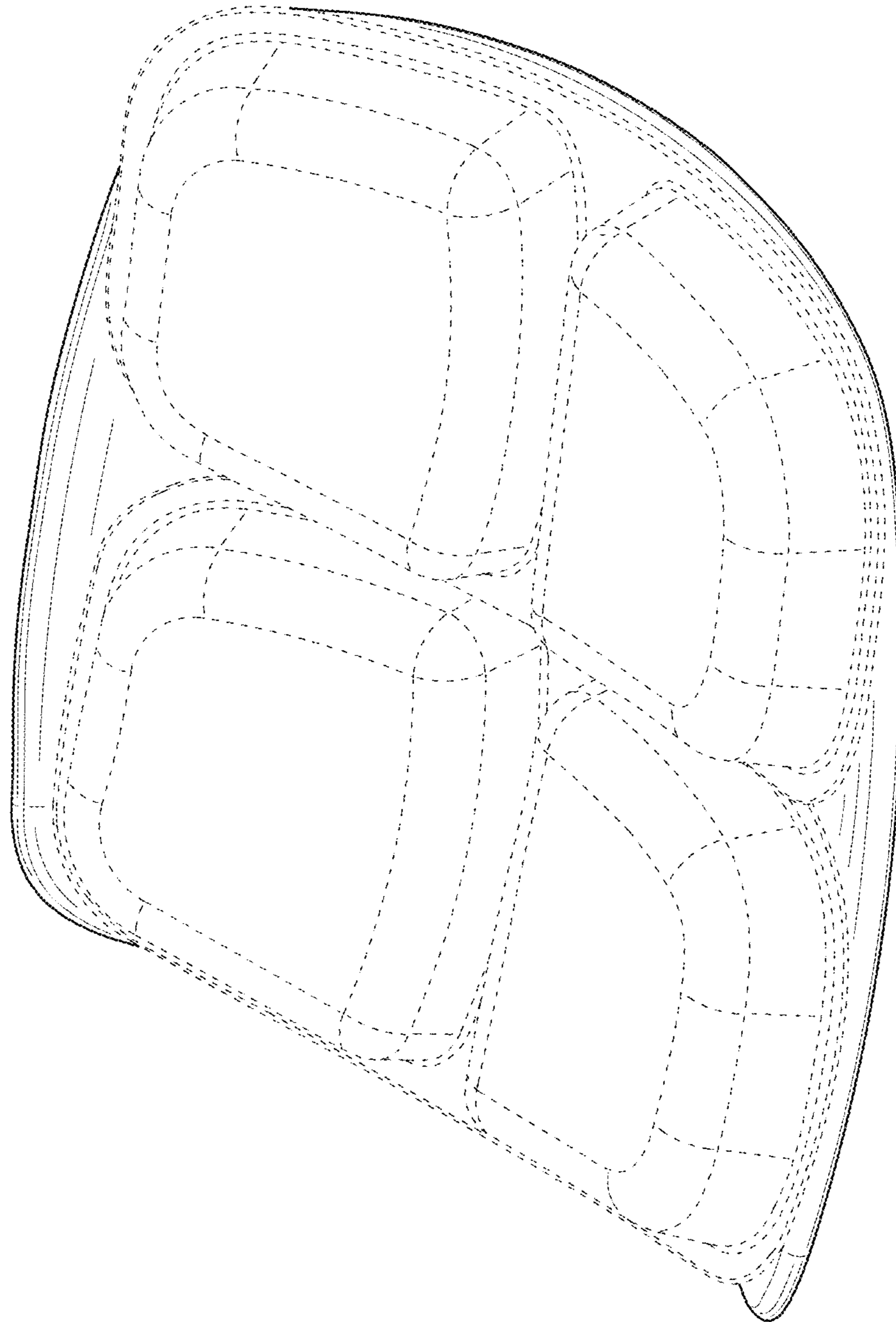


FIG. 2



FIG. 3

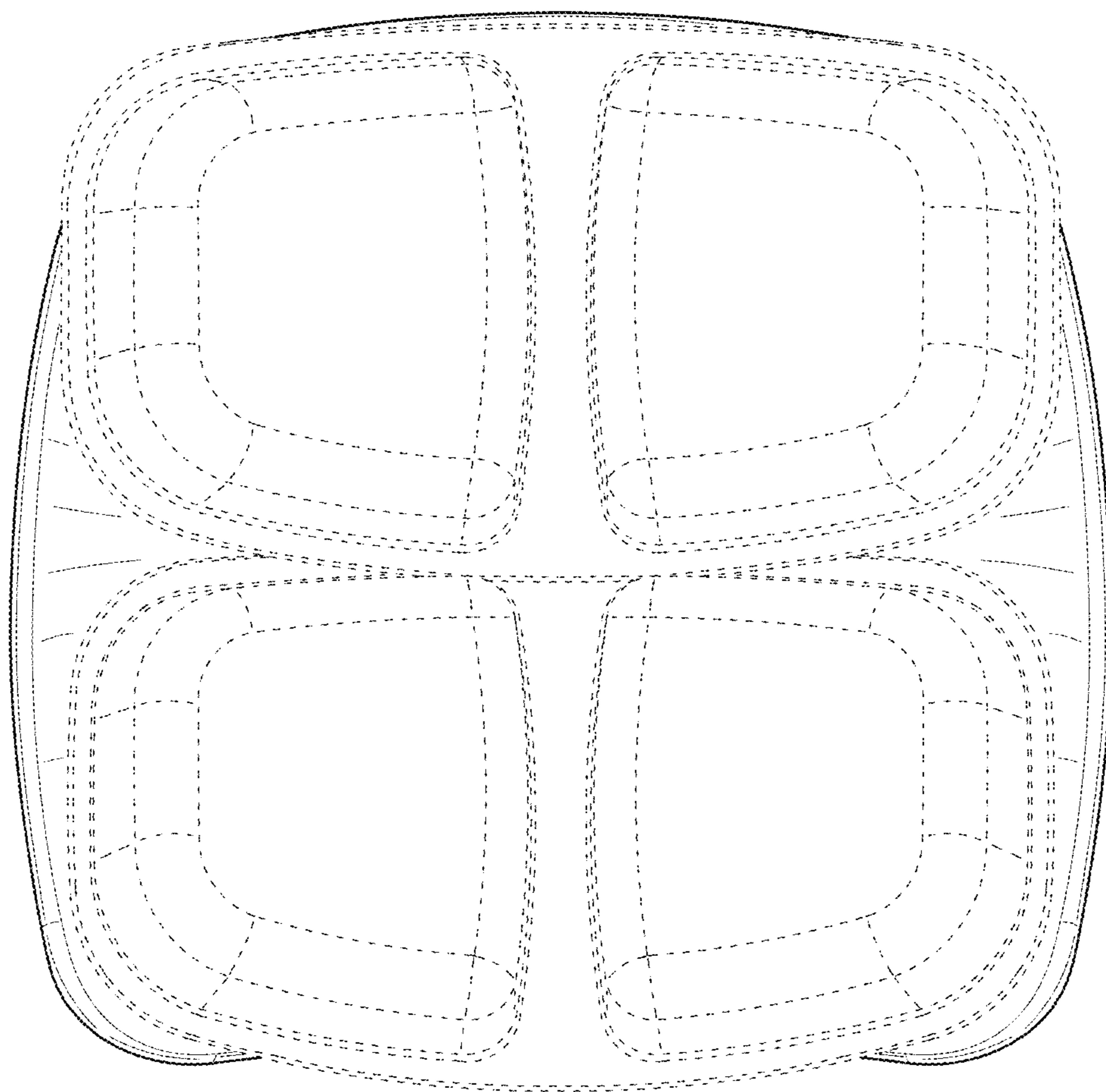


FIG. 4

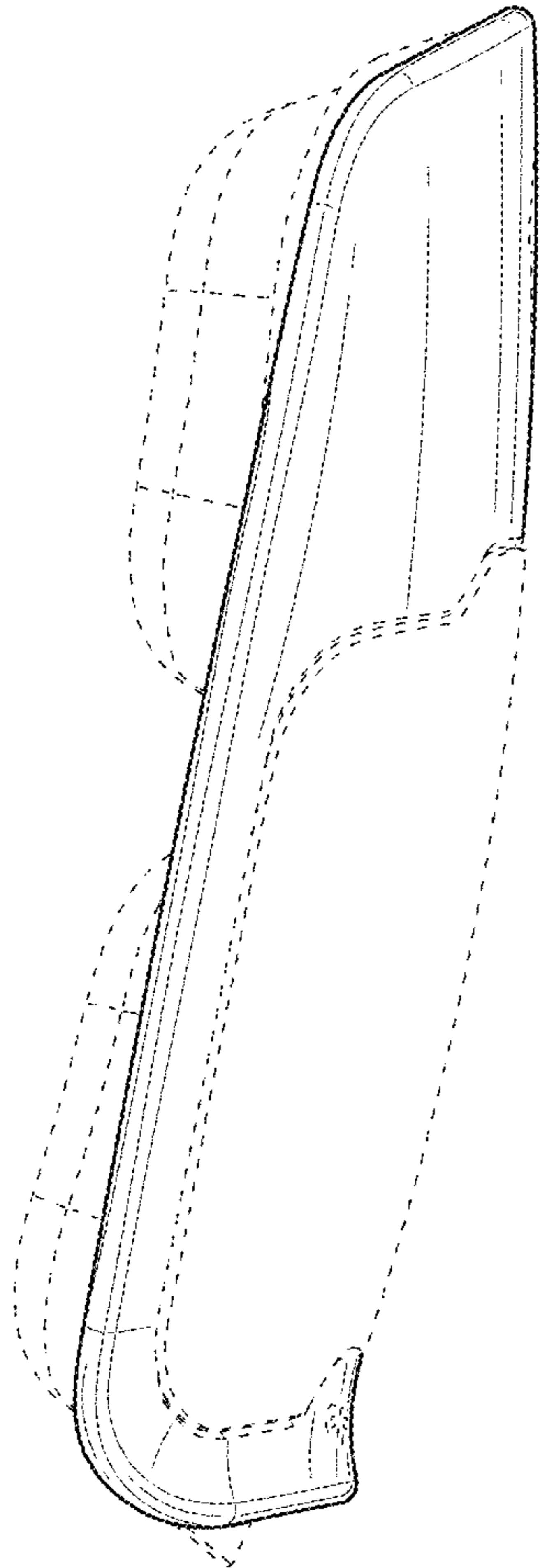


FIG. 5

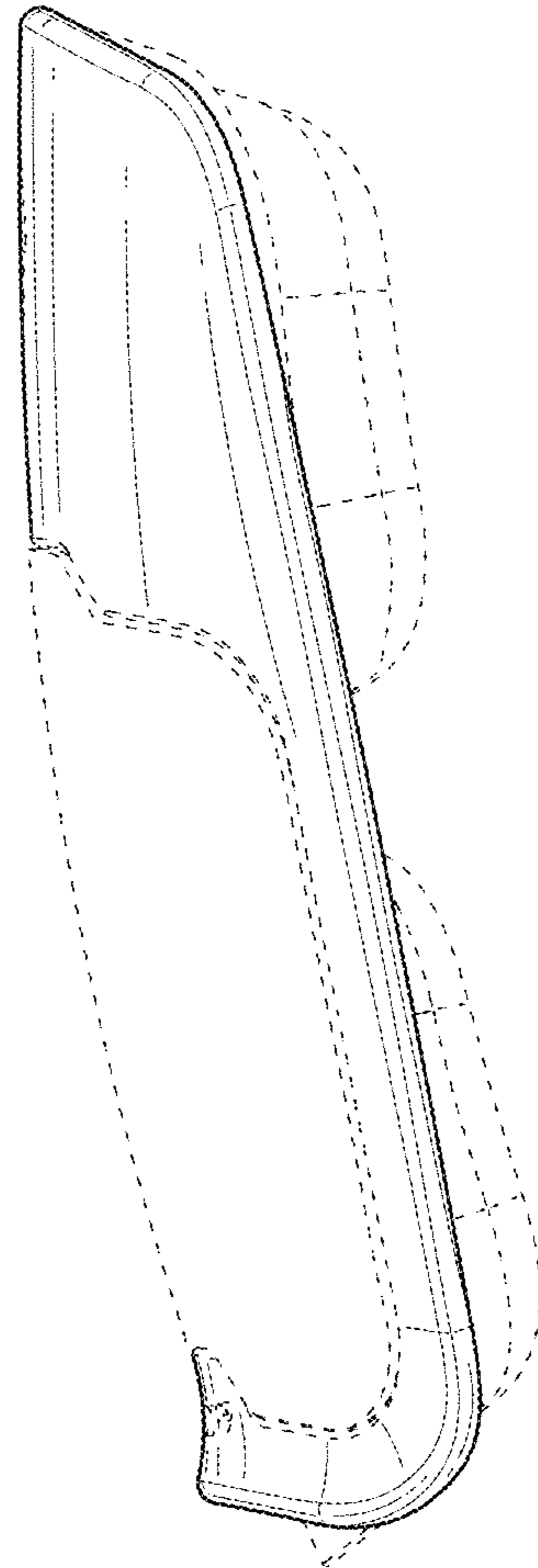


FIG. 6

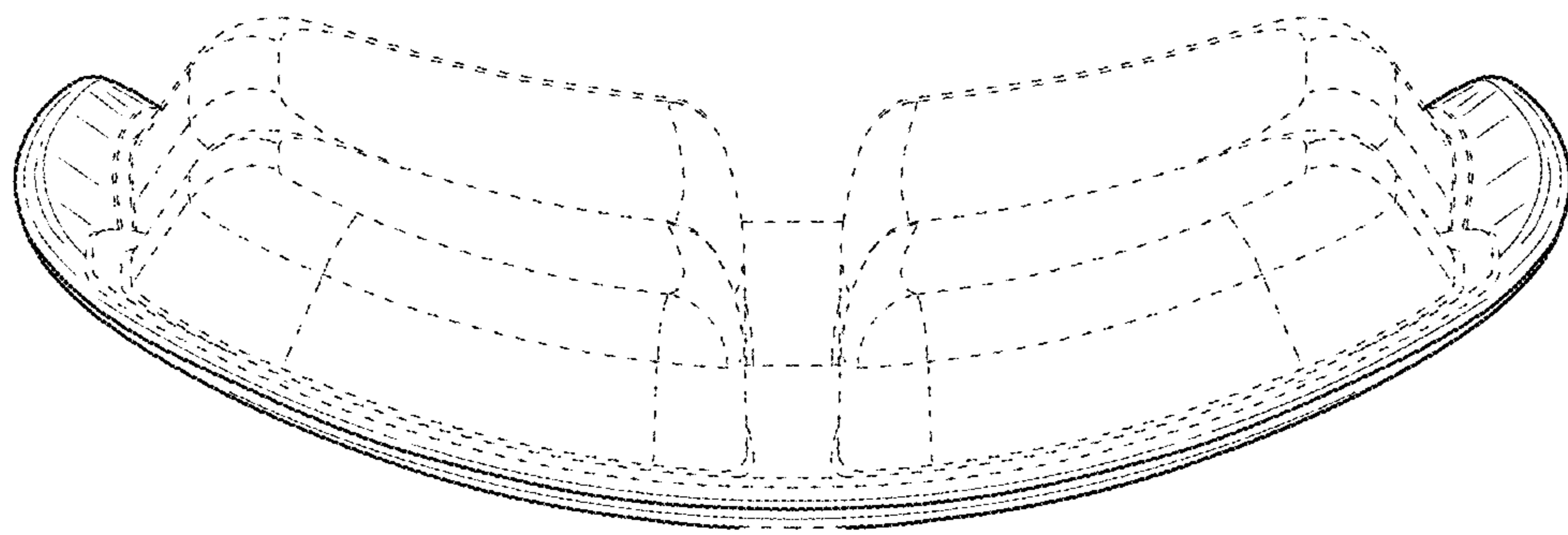


FIG. 7

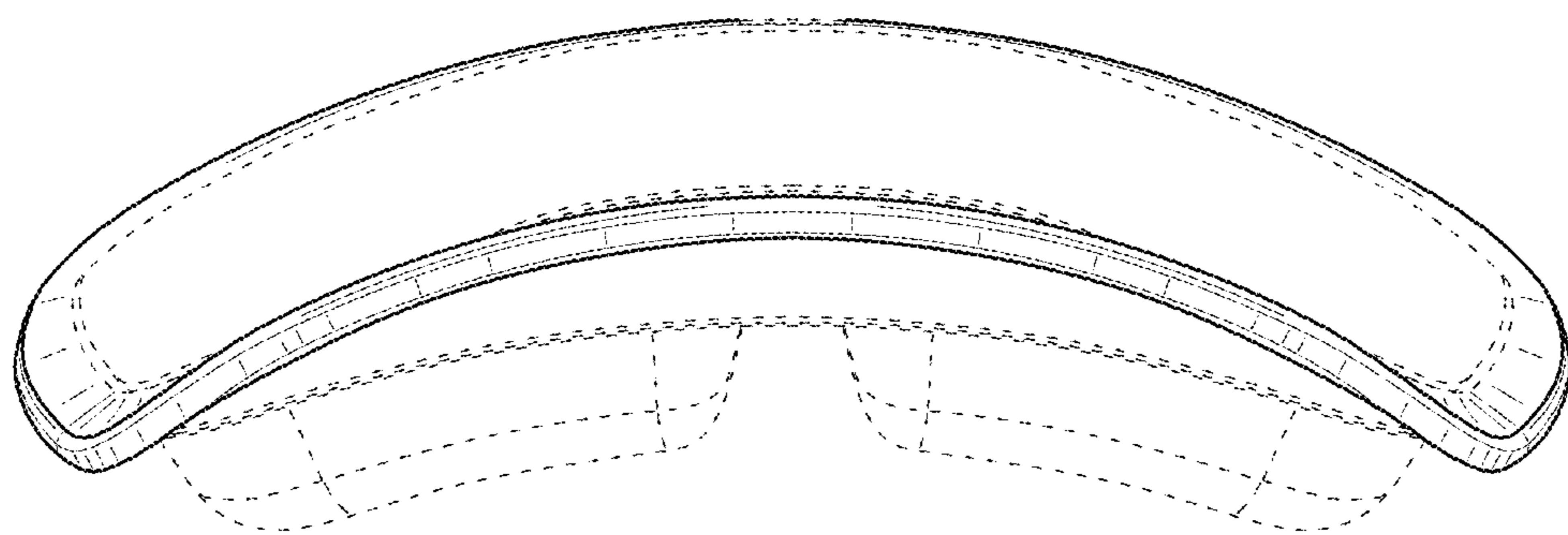


FIG. 8