



US00D821653S

(12) **United States Design Patent**  
**Pratley**

(10) **Patent No.:** **US D821,653 S**  
(45) **Date of Patent:** **\*\* Jun. 26, 2018**

(54) **EAR DEFENDER**  
(71) Applicant: **JSP Limited**, Oxford (GB)  
(72) Inventor: **David Lee Pratley**, Oxford (GB)  
(73) Assignee: **JSP Limited**, Oxford (GB)  
(\*\*) Term: **15 Years**

D298,670 S \* 11/1988 Palmaer ..... D14/205  
D313,092 S \* 12/1990 Nilsson ..... D14/205  
5,068,923 A \* 12/1991 Sjoqvist ..... A61F 11/14  
181/129  
D403,126 S \* 12/1998 Scanlon ..... D29/112  
D411,200 S \* 6/1999 Almquist ..... D14/192  
D413,413 S \* 8/1999 Dillon ..... D14/205  
D427,382 S \* 6/2000 Leight ..... D29/112  
6,151,717 A \* 11/2000 Lindgren ..... A61F 11/14  
128/867  
D509,323 S \* 9/2005 Emilsson ..... D29/112  
D512,708 S \* 12/2005 Harris, Jr. .... D14/205  
D541,483 S \* 4/2007 Birgersson ..... D29/112  
D633,894 S \* 3/2011 Meyer ..... D14/205  
D648,706 S \* 11/2011 Gresko ..... D14/205  
D657,345 S \* 4/2012 Brunner ..... H04R 5/033  
D14/205  
D663,900 S \* 7/2012 Karlsson ..... A61F 11/14  
D29/112  
D685,759 S \* 7/2013 Kelly ..... D14/205

(21) Appl. No.: **29/589,601**  
(22) Filed: **Jan. 3, 2017**

**Related U.S. Application Data**

(62) Division of application No. 29/547,657, filed on Dec. 7, 2015, now Pat. No. Des. 789,615.

(30) **Foreign Application Priority Data**

Jun. 23, 2015 (EM) ..... 002724237

(51) **LOC (11) Cl.** ..... **29-02**

(52) **U.S. Cl.**  
USPC ..... **D29/112**

(58) **Field of Classification Search**  
USPC ..... D29/100, 102, 105, 106, 108, 112, 122;  
D14/205, 223, 249  
CPC ..... A42B 3/16; A42B 3/163; A42B 3/166;  
A61F 11/06; A61F 11/08; A61F 11/10;  
A61F 11/12; A61F 11/14; A61F  
2011/085; H04R 1/10; H04R 1/1008;  
H04R 1/1016; H04R 1/105; H04R  
1/1058; H04R 1/1066; H04R 1/1075;  
H04R 1/1083; H04R 5/0335; H04R  
25/652; H04R 25/654; H04R 25/656;  
A63B 71/10

See application file for complete search history.

(56) **References Cited**

**U.S. PATENT DOCUMENTS**

2,883,671 A \* 4/1959 Hornickel ..... A61F 11/14  
128/866  
D255,352 S \* 6/1980 Besasie ..... D14/205

*Primary Examiner* — Elizabeth J Oswecki

(74) *Attorney, Agent, or Firm* — King & Schickli, PLLC

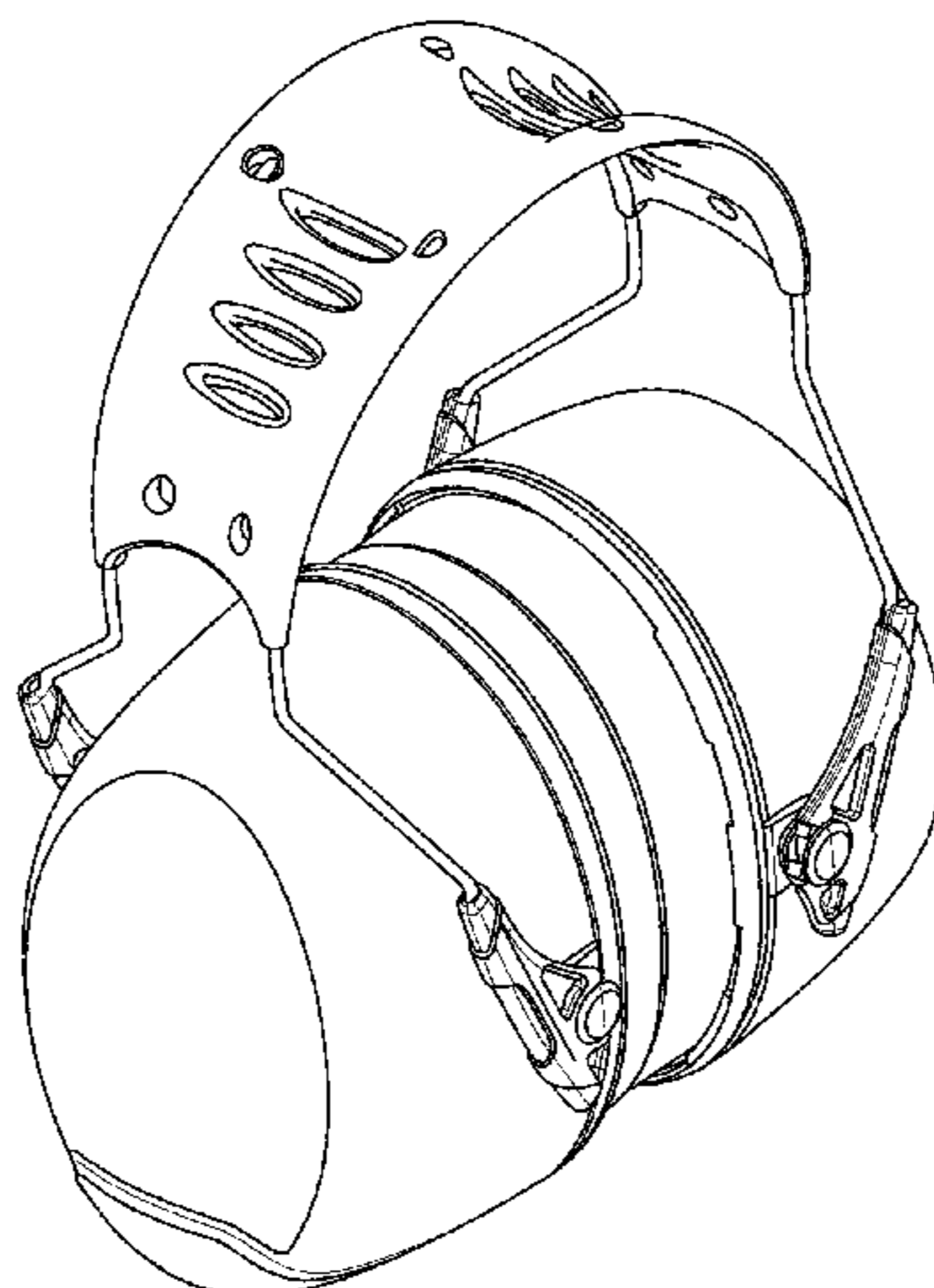
(57) **CLAIM**

The ornamental design for an ear defender, as shown and described.

**DESCRIPTION**

FIG. 1 is a front view of an ear defender showing my new design;  
FIG. 2 is a bottom view thereof;  
FIG. 3 is a top view thereof;  
FIG. 4 is a side view thereof; and,  
FIG. 5 is a perspective view thereof.  
The broken lines shown in the drawings represent portions of the ear defender that form no part of the claimed design.

**1 Claim, 5 Drawing Sheets**



(56)

**References Cited**

U.S. PATENT DOCUMENTS

D736,475	S	*	8/2015	Fletcher	.....	D29/112
D741,286	S	*	10/2015	Brennwald	.....	D14/205
D741,288	S	*	10/2015	Galler	.....	D14/205
D747,557	S	*	1/2016	Bonney	.....	D29/112
D752,816	S	*	3/2016	Fletcher	.....	D29/112
D766,207	S	*	9/2016	Paterson	.....	D14/205
D766,208	S	*	9/2016	Paterson	.....	D14/205
D772,841	S	*	11/2016	Levine	.....	D14/205
D772,842	S	*	11/2016	Sharp	.....	D14/205
D784,957	S	*	4/2017	Hsieh	.....	D14/205
D786,824	S	*	5/2017	Hembrey	.....	D14/205
D788,071	S	*	5/2017	Logan	.....	D14/205

\* cited by examiner

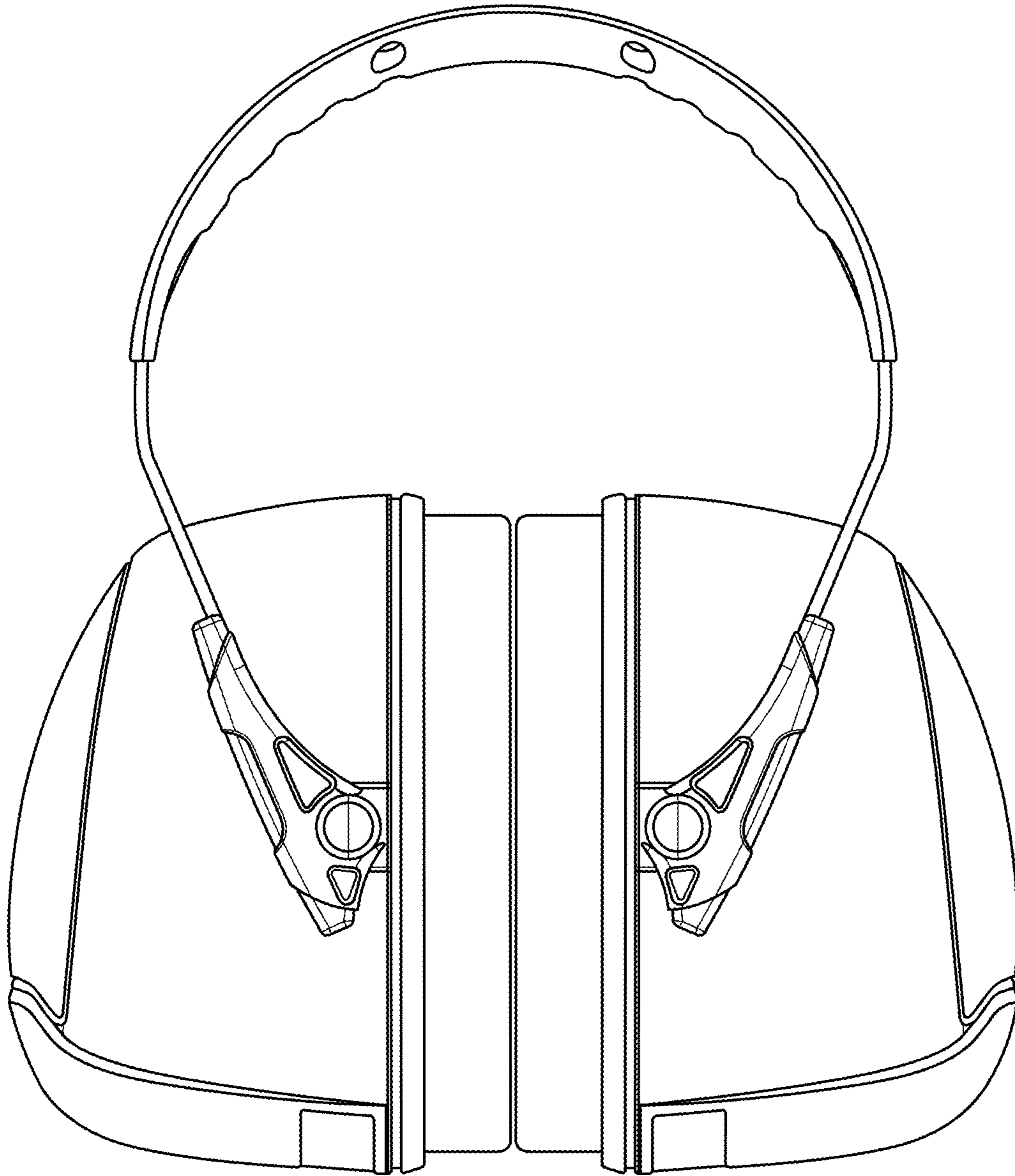


Fig. 1

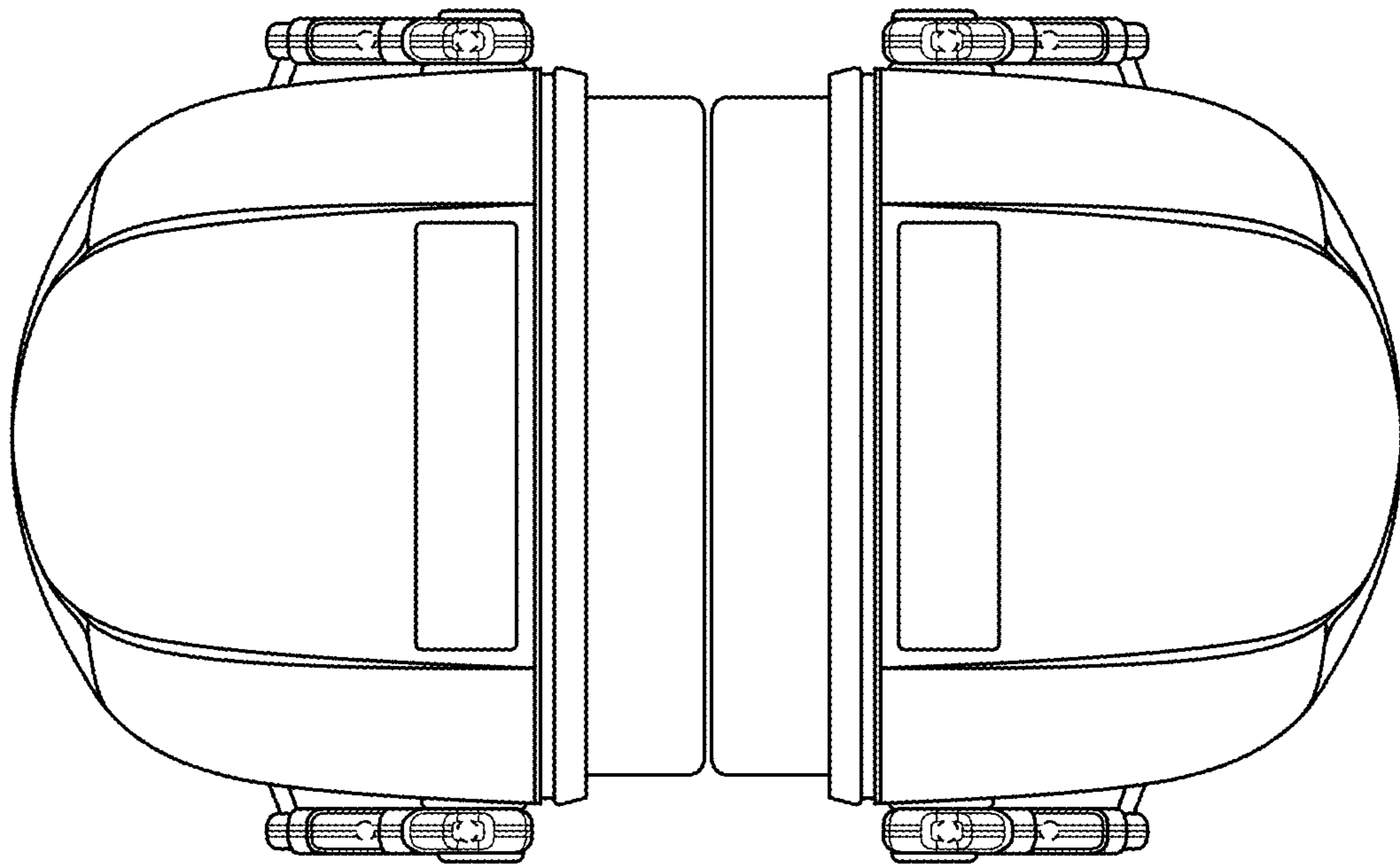


Fig. 2

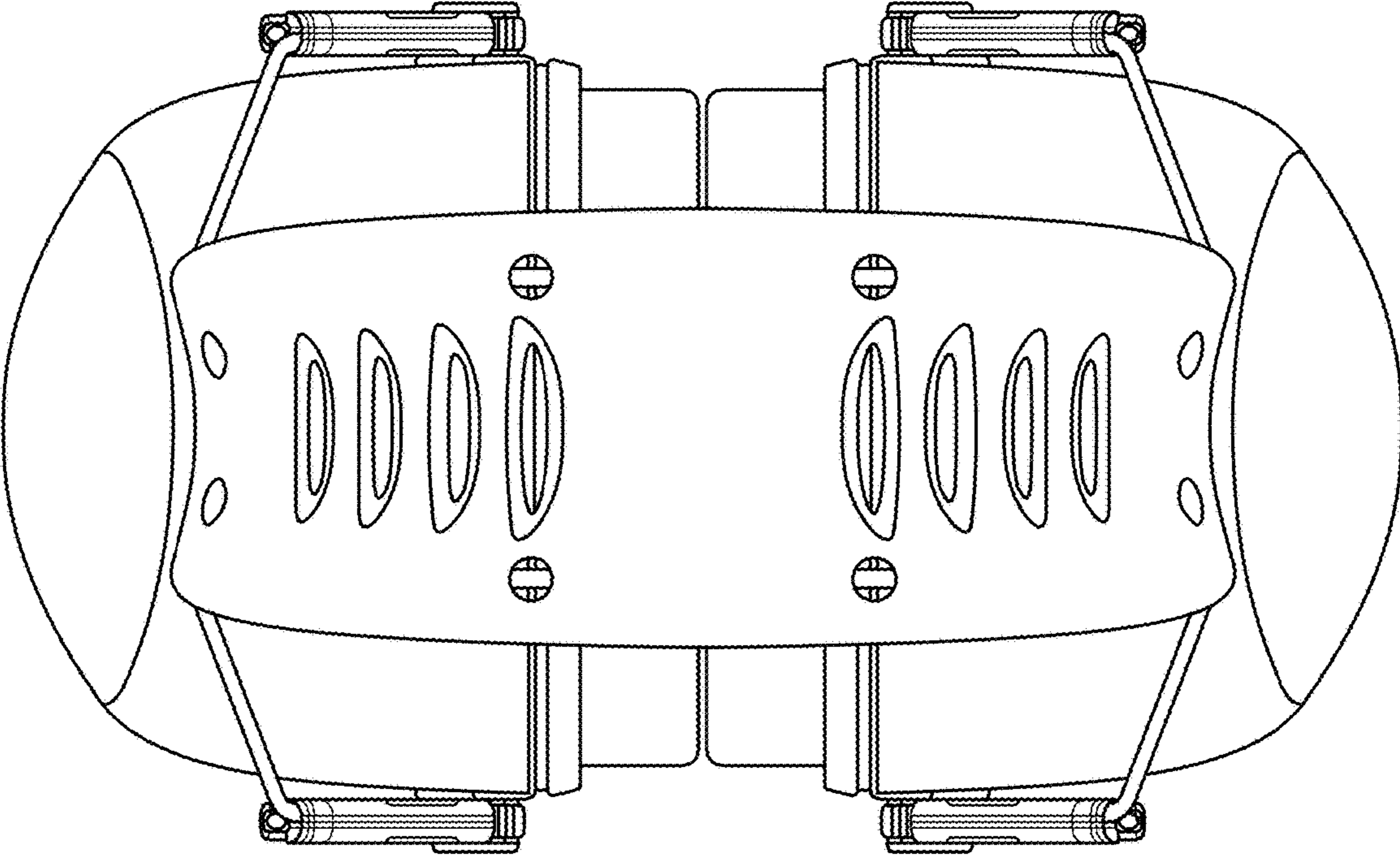


Fig. 3

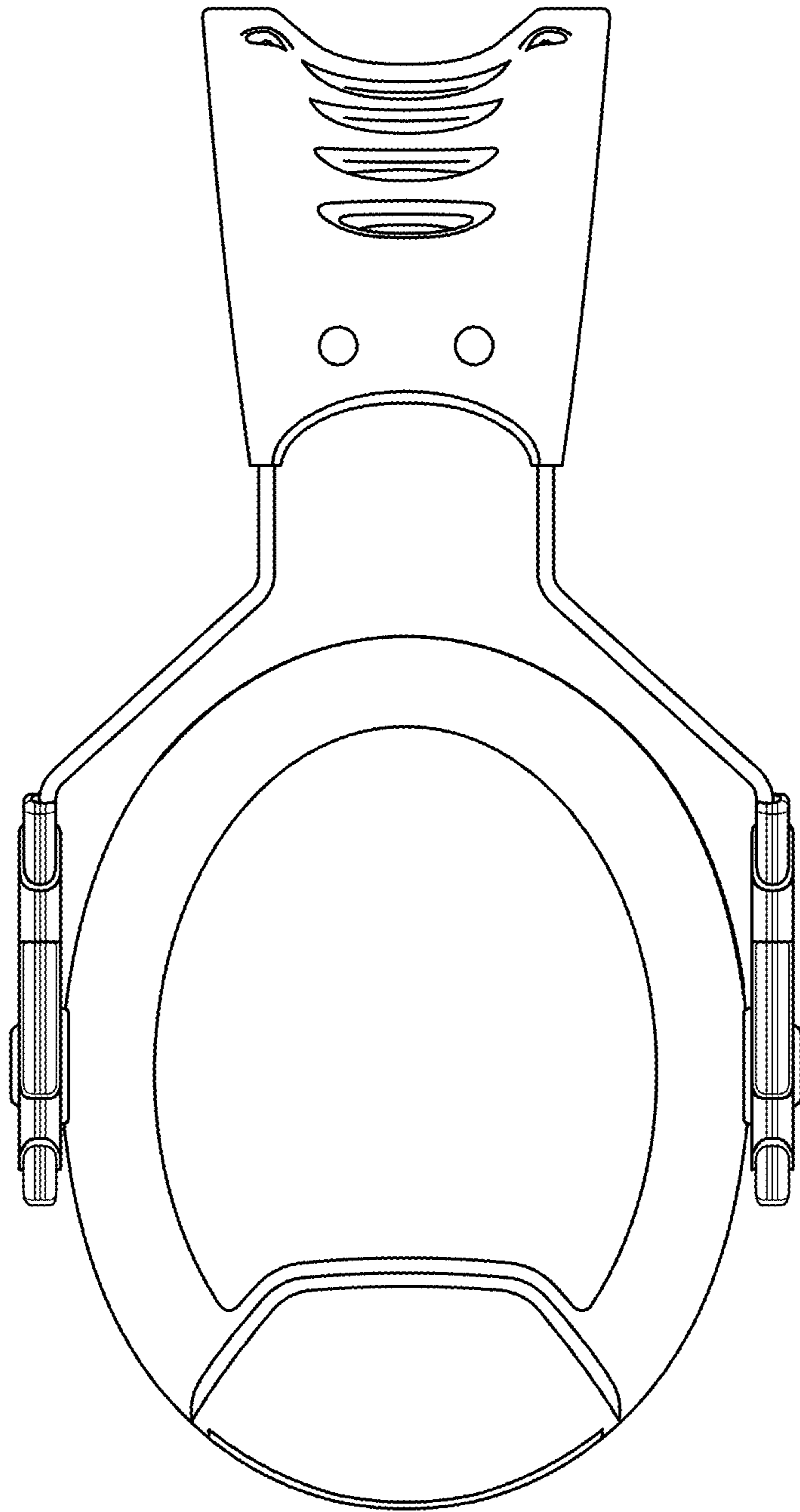


Fig. 4

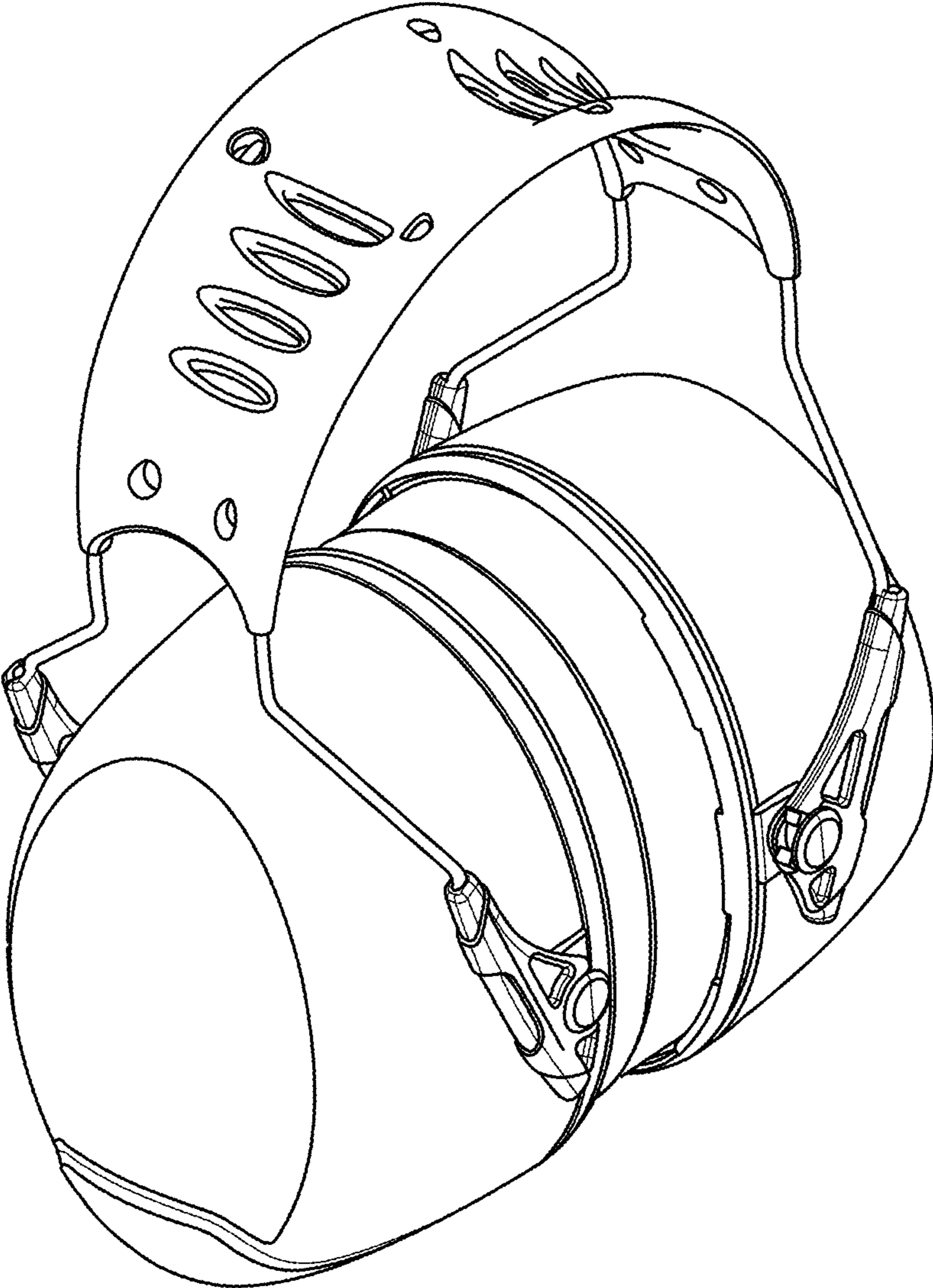


Fig. 5