



US00D821652S

(12) **United States Design Patent**
Skuhra

(10) **Patent No.:** **US D821,652 S**
(45) **Date of Patent:** **** Jun. 26, 2018**

- (54) **HAIR CLIPPER**
- (71) Applicant: **ANDIS COMPANY**, Sturtevant, WI (US)
- (72) Inventor: **Andrew A. Skuhra**, Racine, WI (US)
- (73) Assignee: **Andis Company**, Sturtevant, WI (US)
- (**) Term: **15 Years**
- (21) Appl. No.: **29/573,746**
- (22) Filed: **Aug. 9, 2016**
- (51) **LOC (11) Cl.** **28-03**
- (52) **U.S. Cl.**
USPC **D28/53**
- (58) **Field of Classification Search**
USPC D28/49-54
CPC B26B 19/00-19/107
See application file for complete search history.

7,018,142	B2	3/2006	Cooper	
D522,693	S *	6/2006	Rizzuto, Jr.	D28/53
D534,689	S *	1/2007	Gross	D28/53
7,190,890	B2	3/2007	Higham et al.	
D568,542	S *	5/2008	Long	D28/54
D571,504	S *	6/2008	Long	D28/54
D577,865	S *	9/2008	Long	D28/54
D597,253	S *	7/2009	Eddinger	D28/54
D597,254	S *	7/2009	Eddinger	D28/54
D622,907	S *	8/2010	Schwer	D28/53
7,863,791	B2	1/2011	Hoyt	
8,192,179	B2	6/2012	Miller et al.	
8,276,694	B2	10/2012	Stervik et al.	
8,339,000	B2	12/2012	Bradfield	
D673,731	S *	1/2013	Skuhra	D28/53
D675,781	S *	2/2013	Whittaker	D28/53

(Continued)

Primary Examiner — Jennifer Rivard
(74) *Attorney, Agent, or Firm* — Michael Best & Friedrich LLP

(57) **CLAIM**

I claim the ornamental design for a hair clipper, as shown and described.

DESCRIPTION

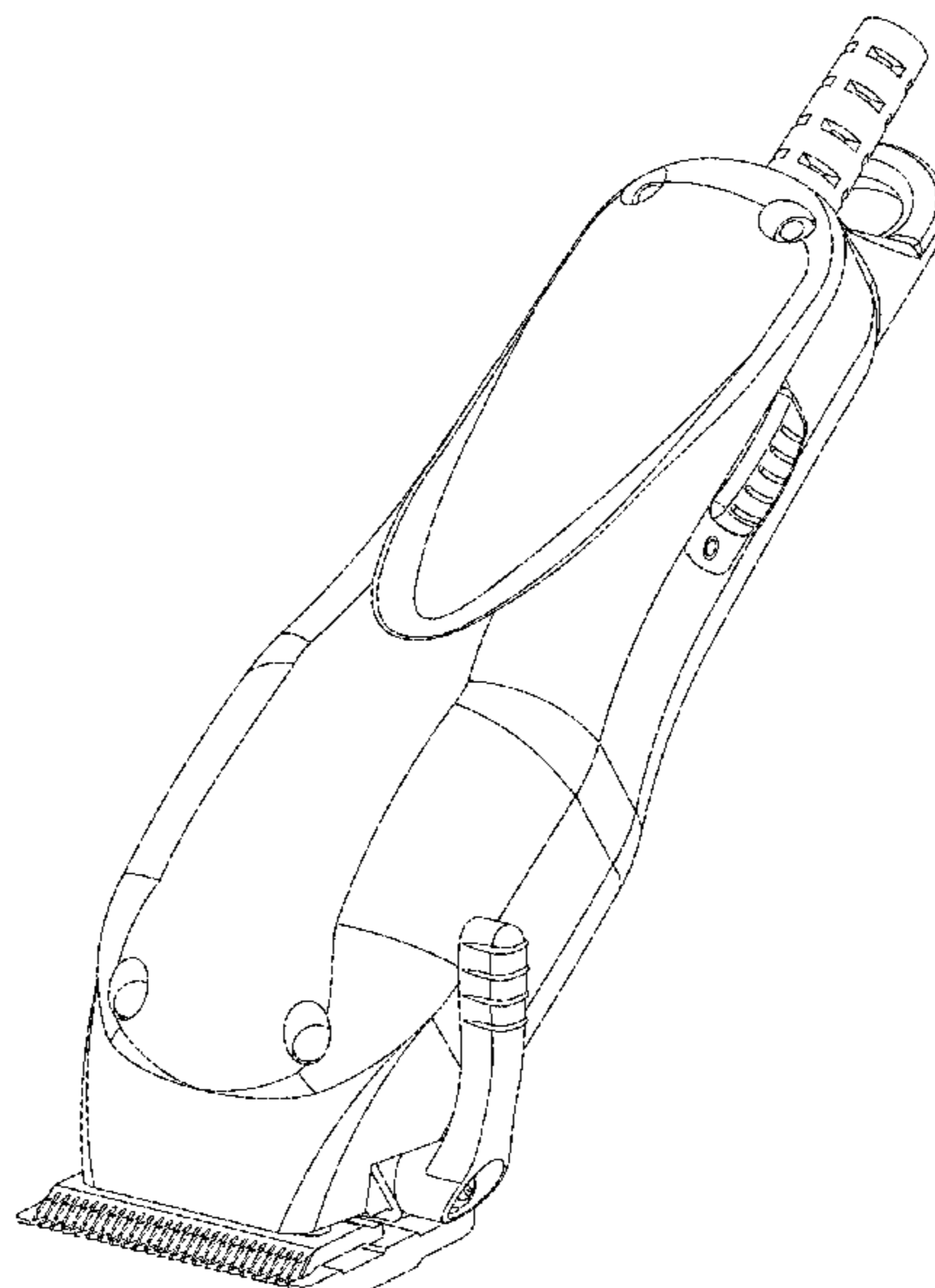
FIG. 1 is a perspective view of a hair clipper according to an embodiment showing the new design;
FIG. 2 is an elevation view of a first side of the embodiment shown in FIG. 1;
FIG. 3 is an elevation view of a second side of the embodiment shown in FIG. 1;
FIG. 4 is a top view of the embodiment shown in FIG. 1;
FIG. 5 is a bottom view of the embodiment shown in FIG. 1;
FIG. 6 is an elevation view of a first end of the embodiment shown in FIG. 1; and,
FIG. 7 is an elevation view of a second end of the embodiment shown in FIG. 1.

1 Claim, 6 Drawing Sheets

(56) **References Cited**

U.S. PATENT DOCUMENTS

2,748,472	A *	6/1956	Sheley	B26B 19/44 30/133
2,789,347	A *	4/1957	Wahl	B26B 19/06 30/196
D192,424	S *	3/1962	Myers et al.	D28/53
3,589,007	A *	6/1971	Walton	B26B 19/06 30/140
3,858,383	A	1/1975	Glover	
D339,213	S *	9/1993	Wahl	D28/54
D348,543	S *	7/1994	Melton	D28/54
D364,483	S *	11/1995	Elston	D28/53
5,731,646	A	3/1998	Heinze et al.	
D405,924	S *	2/1999	Lebherz	D28/53
D435,694	S *	12/2000	Lebherz	D28/53
D435,936	S *	1/2001	Long	D28/54
6,742,262	B2	6/2004	Rizzuto, Jr. et al.	
D497,452	S *	10/2004	Nielsen	D28/53
D500,392	S *	12/2004	Buck, Jr.	D28/54



(56)

References Cited

U.S. PATENT DOCUMENTS

D675,782	S *	2/2013	Buck, Jr.	D28/54
D683,901	S *	6/2013	Skuhra	D28/54
D700,998	S *	3/2014	Aulwes	D28/54
D715,489	S *	10/2014	Aulwes	D28/54
D715,490	S *	10/2014	Aulwes	D28/54
D715,491	S *	10/2014	Phillips	D28/54
D721,205	S *	1/2015	Colle	D28/53
9,145,855	B2	9/2015	Lindner et al.	
D758,665	S *	6/2016	Skuhra	D28/54
D777,980	S *	1/2017	Moeller	D28/54
D787,746	S *	5/2017	Werner	D28/53
D790,132	S *	6/2017	Aulwes	D28/54
D790,133	S *	6/2017	Aulwes	D28/54
2003/0051346	A1 *	3/2003	McCambridge	B26B 19/06 30/122
2011/0232106	A1	9/2011	Andrews et al.	
2013/0188318	A1	7/2013	I et al.	
2015/0013172	A1	1/2015	Shaffer	
2015/0069862	A1	3/2015	Bulatow	
2015/0282878	A1	10/2015	Kindermann et al.	

* cited by examiner

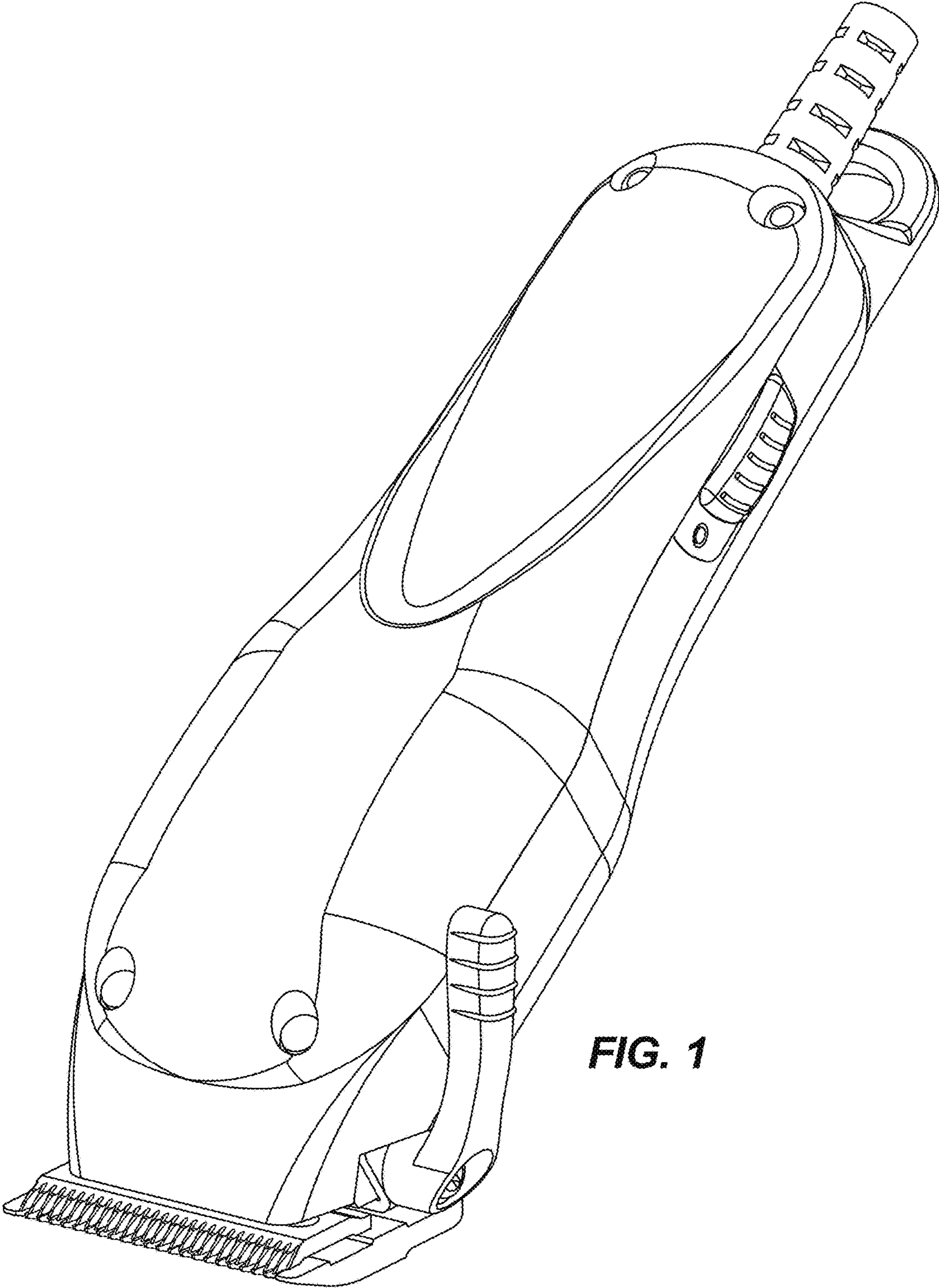


FIG. 1

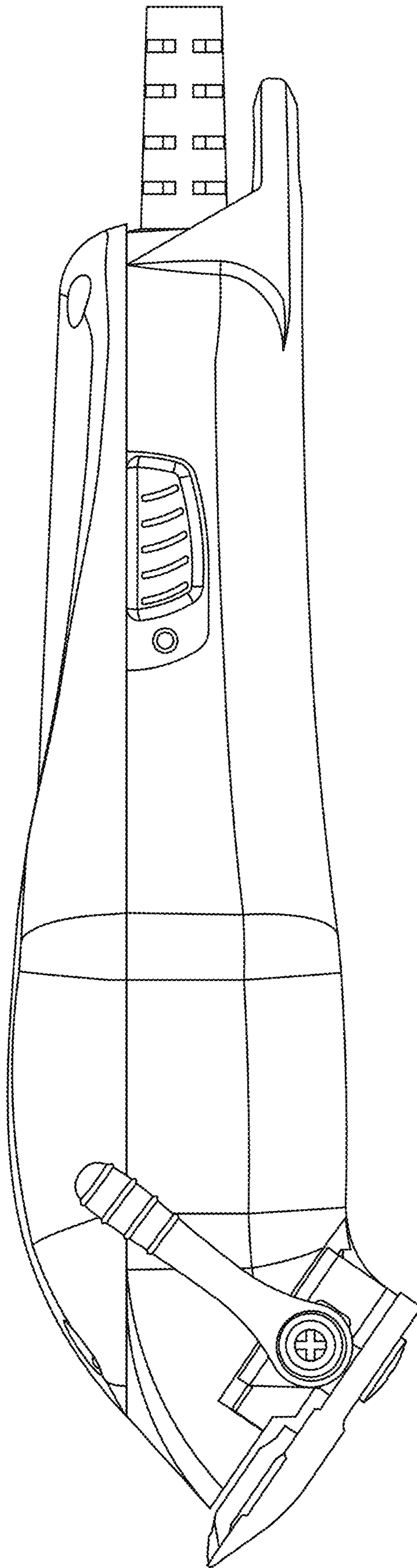


FIG. 2

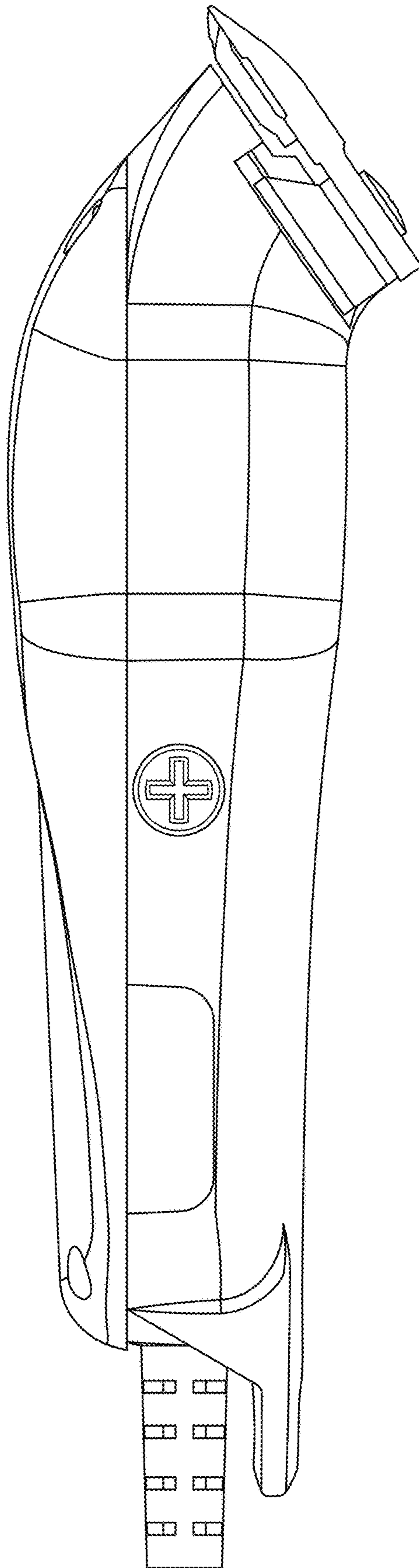


FIG. 3

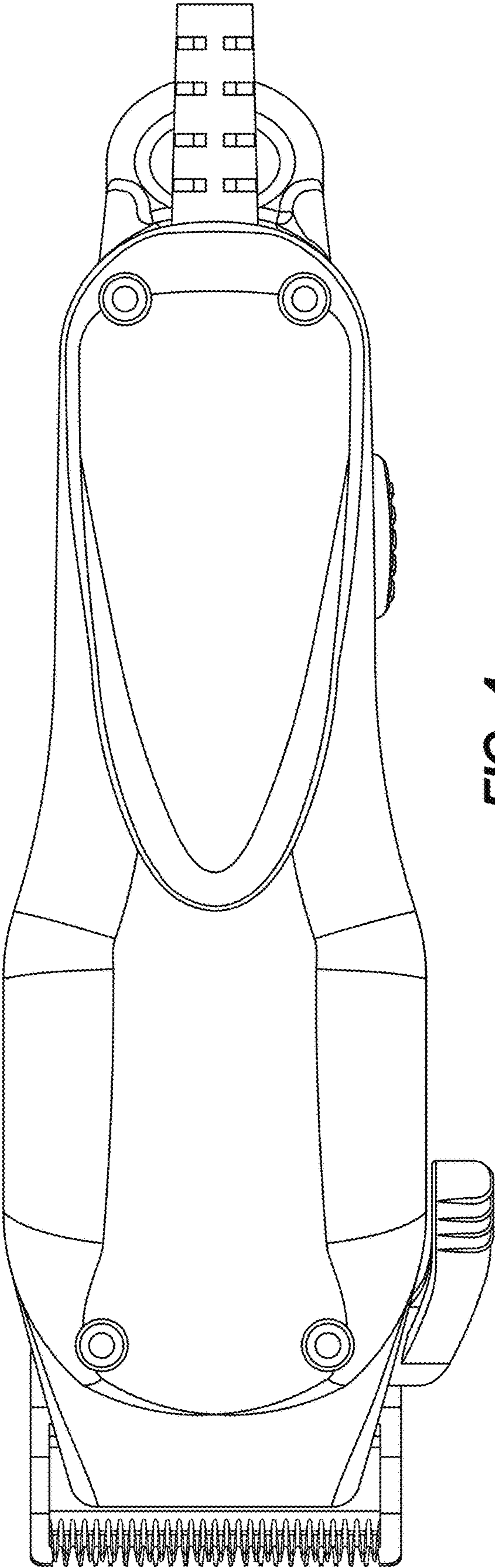


FIG. 4

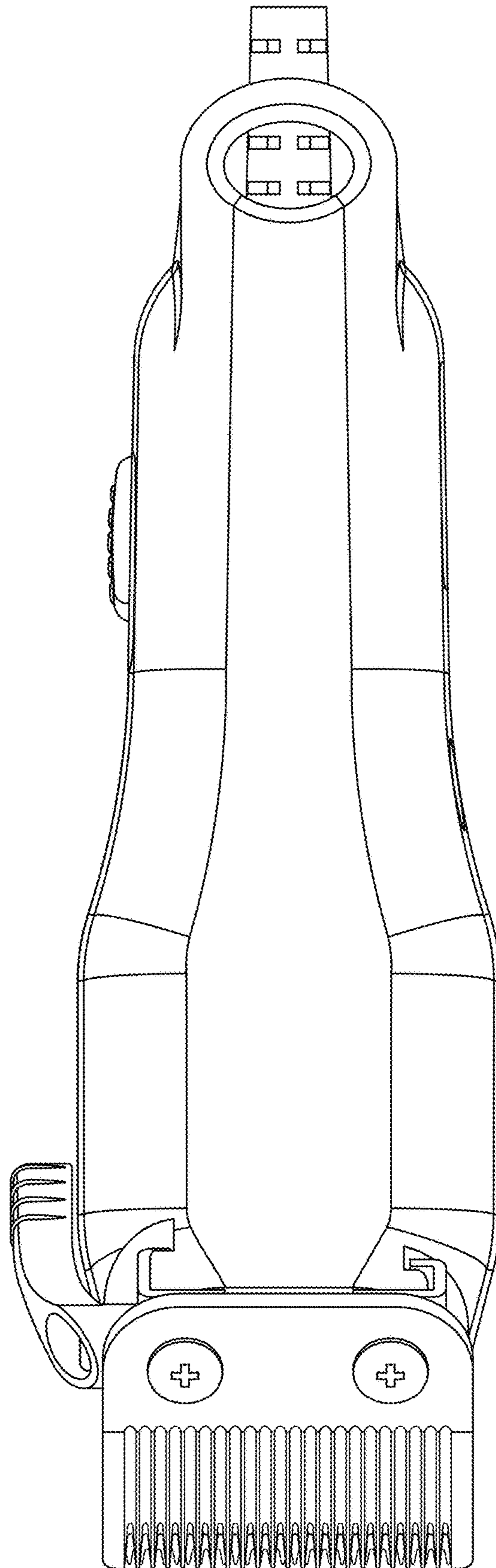


FIG. 5

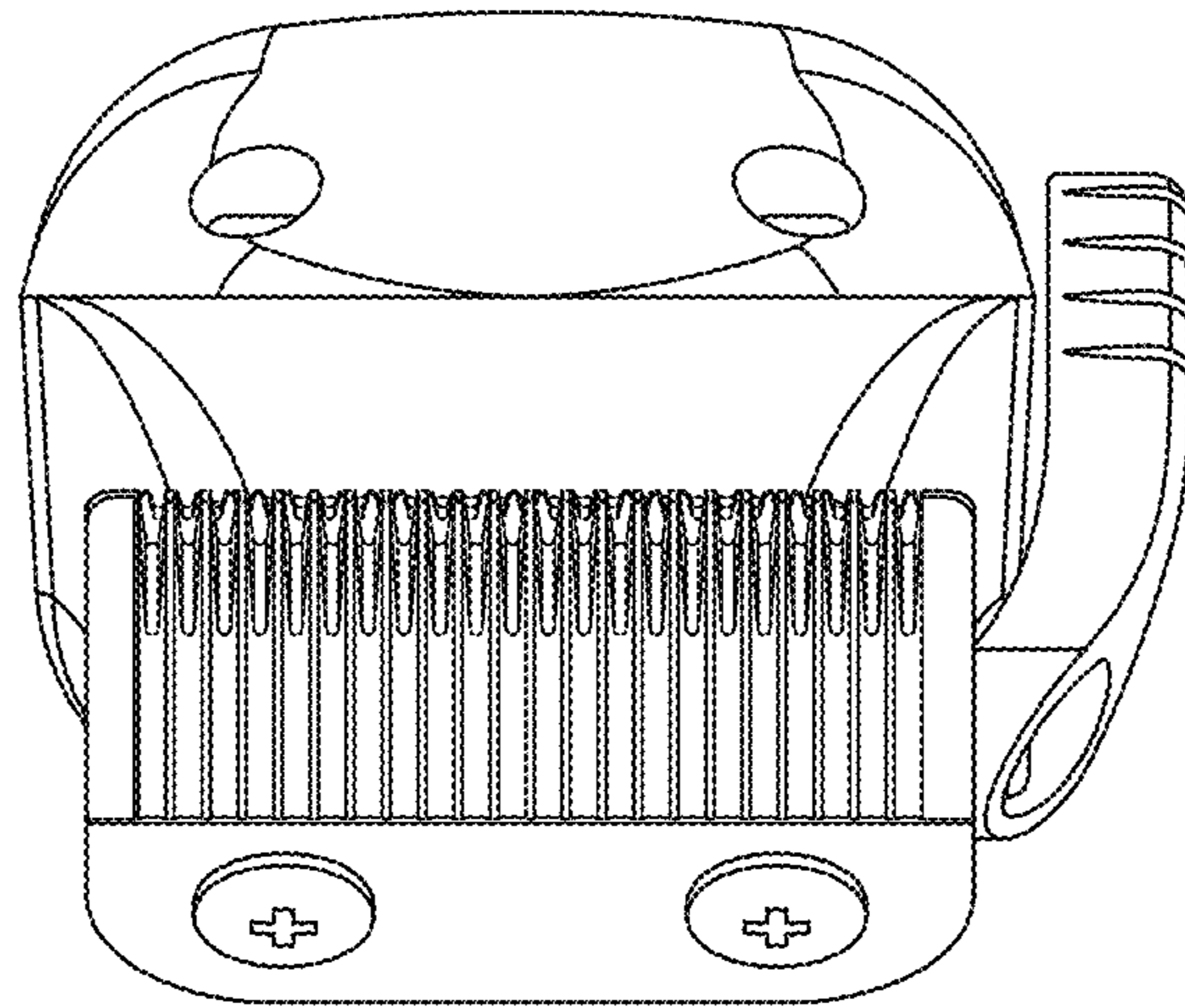


FIG. 6

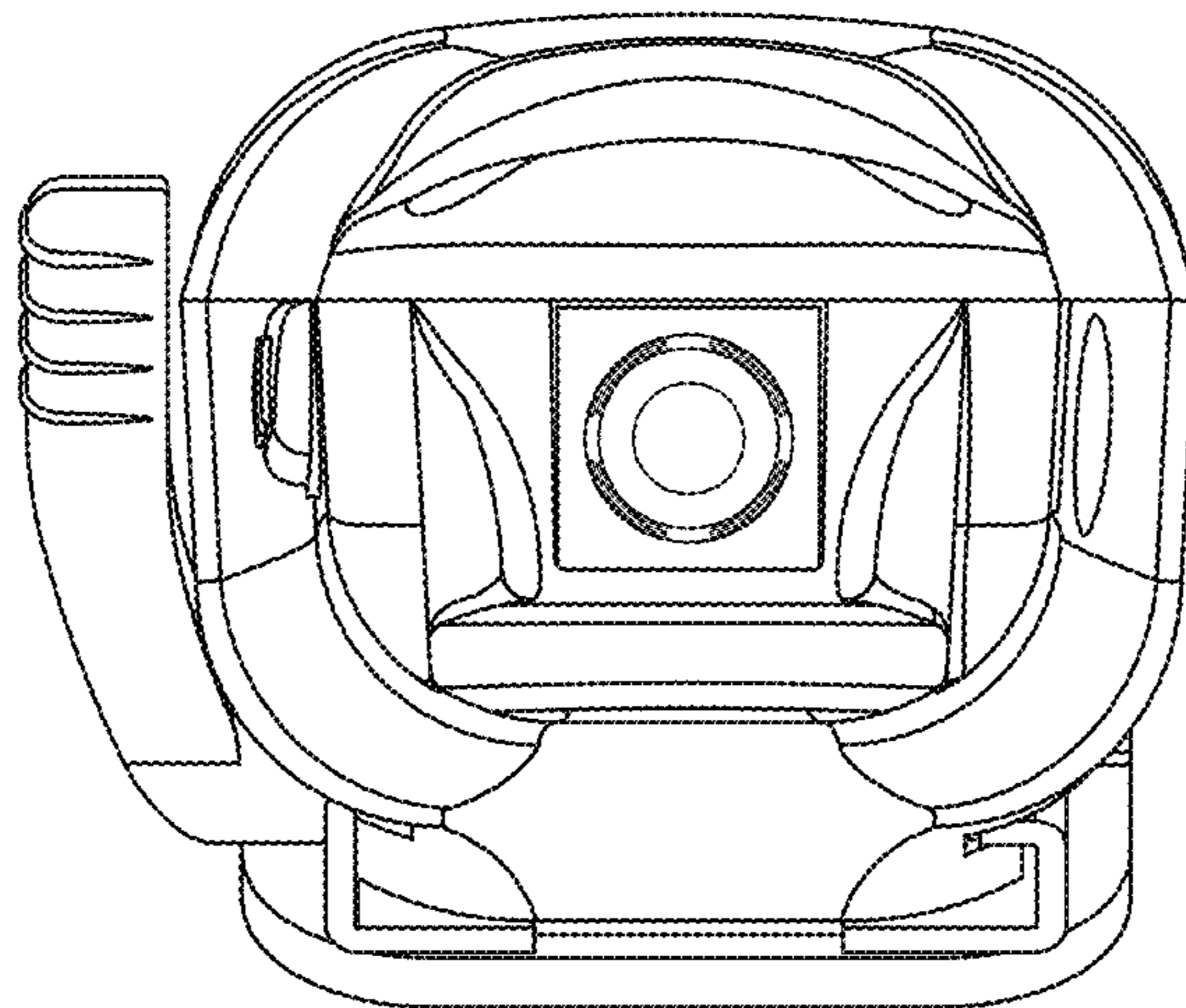


FIG. 7