



US00D821651S

(12) **United States Design Patent**  
**Coresh**

(10) **Patent No.:** **US D821,651 S**  
(45) **Date of Patent:** **\*\* Jun. 26, 2018**

(54) **COMBINED SHAVING RAZOR HANDLE AND SUCTION CUP**

D773,734 S \* 12/2016 Li ..... D28/48  
9,616,584 B2 \* 4/2017 Coresh ..... B26B 21/521  
2015/0266192 A1 \* 9/2015 Coresh ..... B26B 21/521  
30/526

(71) Applicant: **Rolling Razor, Inc.**, Los Angeles, CA (US)

\* cited by examiner

(72) Inventor: **Alon Leon Coresh**, Marina del Rey, CA (US)

*Primary Examiner* — Jennifer Rivard  
(74) *Attorney, Agent, or Firm* — Thomas Coester  
Intellectual Property

(73) Assignee: **Rolling Razor INC**, Los Angeles, CA (US)

(\*\*) Term: **15 Years**

(57) **CLAIM**

(21) Appl. No.: **29/582,074**

The ornamental design for a combined shaving razor handle and suction cup, as shown and described.

(22) Filed: **Oct. 25, 2016**

(51) **LOC (11) Cl.** ..... **28-03**

**DESCRIPTION**

(52) **U.S. Cl.**  
USPC ..... **D28/48**; D6/526

(58) **Field of Classification Search**  
USPC ..... D28/46–48; D6/526  
CPC ..... B26B 21/08–21/32; B26B 21/02–21/06;  
B26B 21/34–21/38; B26B  
21/4068–21/4075; B26B 21/52–21/4062  
See application file for complete search history.

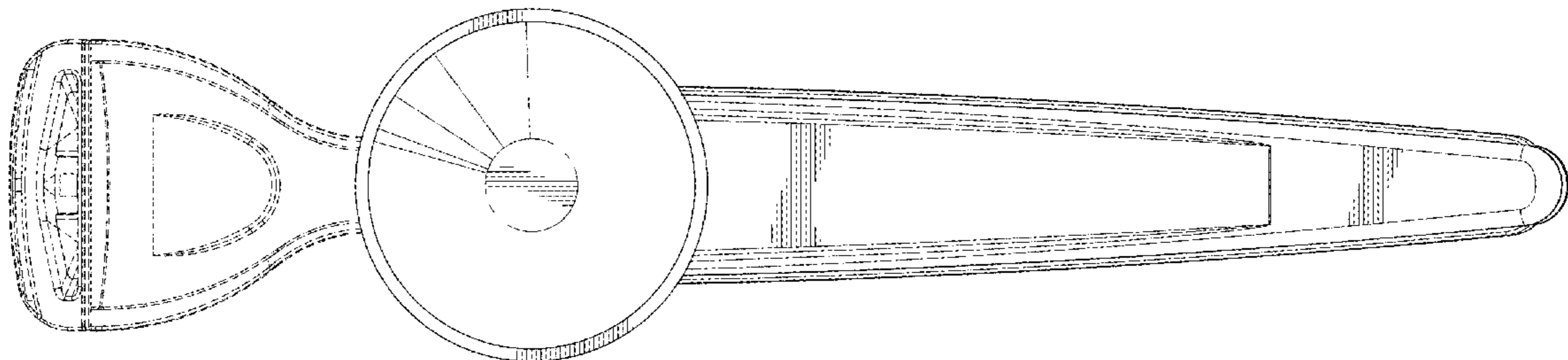
FIG. 1 is a first perspective view of a combined shaving razor handle and suction cup according to an embodiment of the invention.  
FIG. 2 is a second perspective view of a combined shaving razor handle and suction cup of FIG. 1.  
FIG. 3 is a right side view of the combined shaving razor and suction cup of FIG. 1.  
FIG. 4 is a left side view of the combined shaving razor handle and suction cup of FIG. 1.  
FIG. 5 is a front view of the combined shaving razor handle and suction cup of FIG. 1.  
FIG. 6 is a rear view of the combined shaving razor handle and suction cup of FIG. 1.  
FIG. 7 is a top view of the combined shaving razor handle and suction cup of FIG. 1.  
FIG. 8 is a bottom view of the combined shaving razor handle and suction cup of FIG. 1; and,  
FIG. 9 is an exploded perspective view of the combined shaving razor handle and suction cup of FIG. 1.  
The broken lines shown in the drawings are for environmental purposes only and form no part of the claimed design.

(56) **References Cited**

U.S. PATENT DOCUMENTS

D285,341 S \* 8/1986 Audette ..... D24/147  
5,839,198 A \* 11/1998 McCoy ..... B26B 21/40  
30/298.4  
6,263,582 B1 \* 7/2001 Wade ..... B26B 21/40  
30/298.4  
6,792,682 B2 \* 9/2004 Follo ..... B26B 21/222  
30/50  
D619,763 S \* 7/2010 Coresh ..... D28/48  
D628,345 S \* 11/2010 Webb ..... D28/48  
D651,345 S \* 12/2011 Micinilio ..... D28/48  
D675,048 S \* 1/2013 Coresh ..... D6/524  
D694,471 S \* 11/2013 Floyd ..... D28/48  
D698,999 S \* 2/2014 Otsuka ..... D28/47  
D731,120 S \* 6/2015 Otsuka ..... D28/48

**1 Claim, 7 Drawing Sheets**



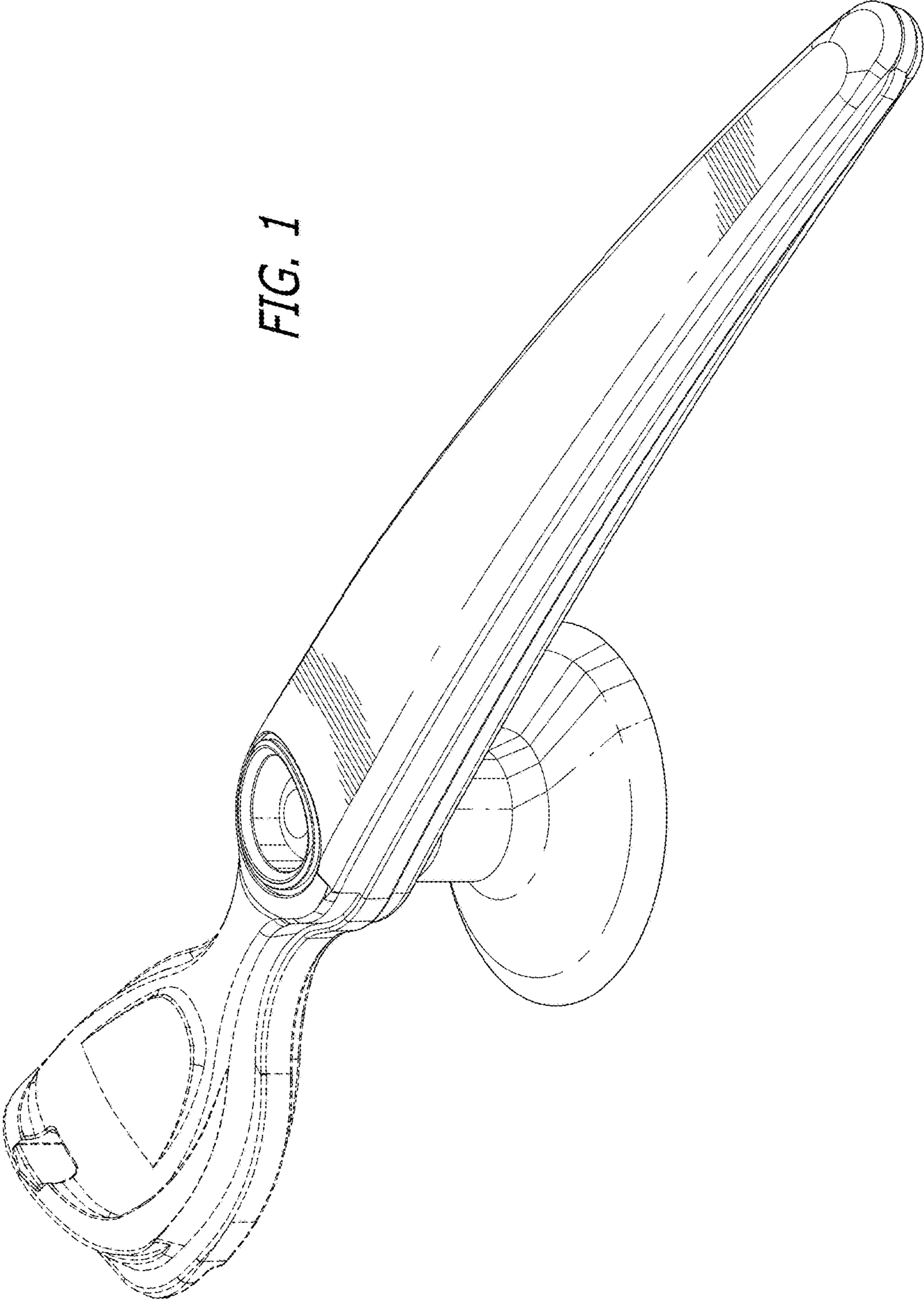


FIG. 1

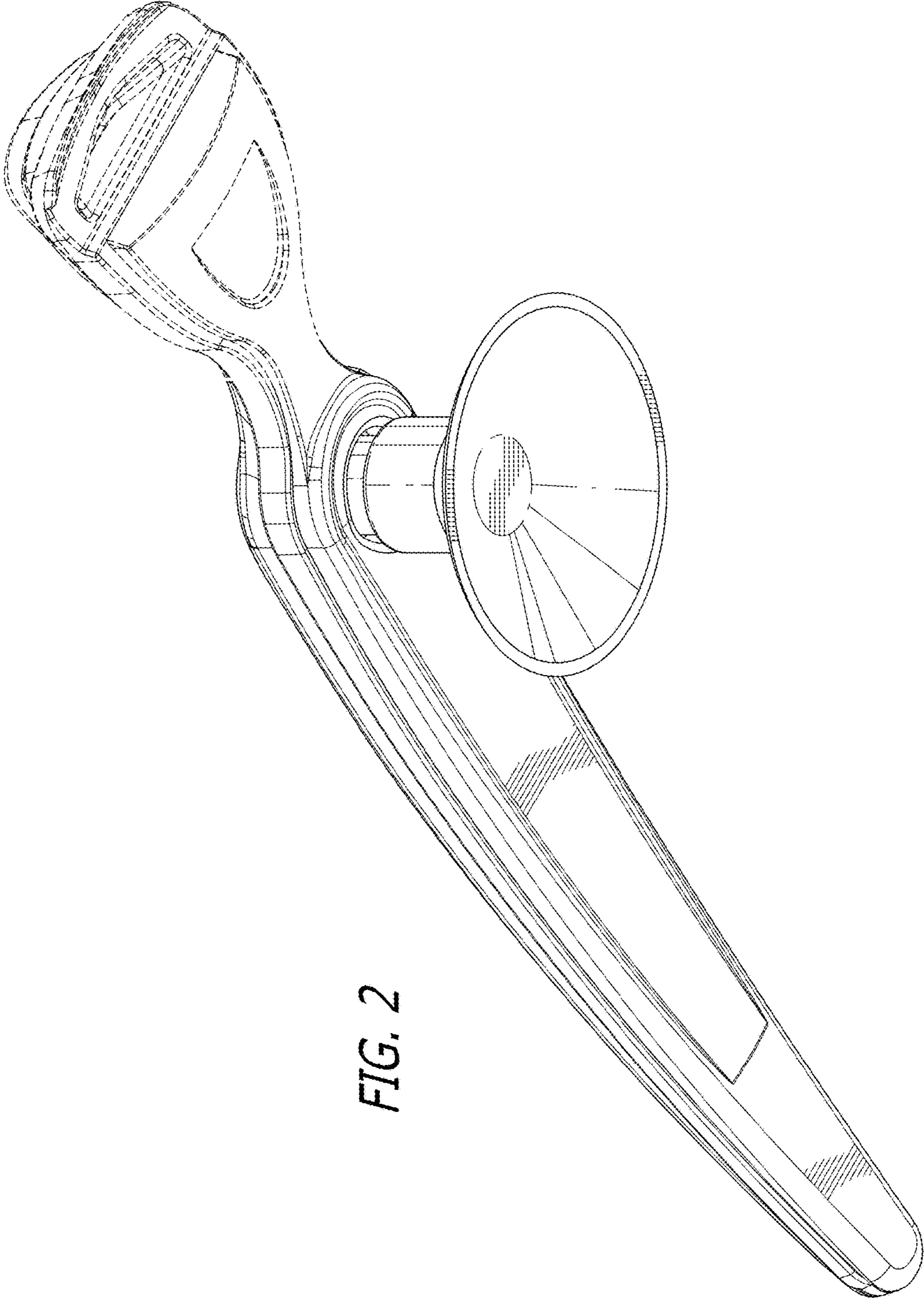


FIG. 2

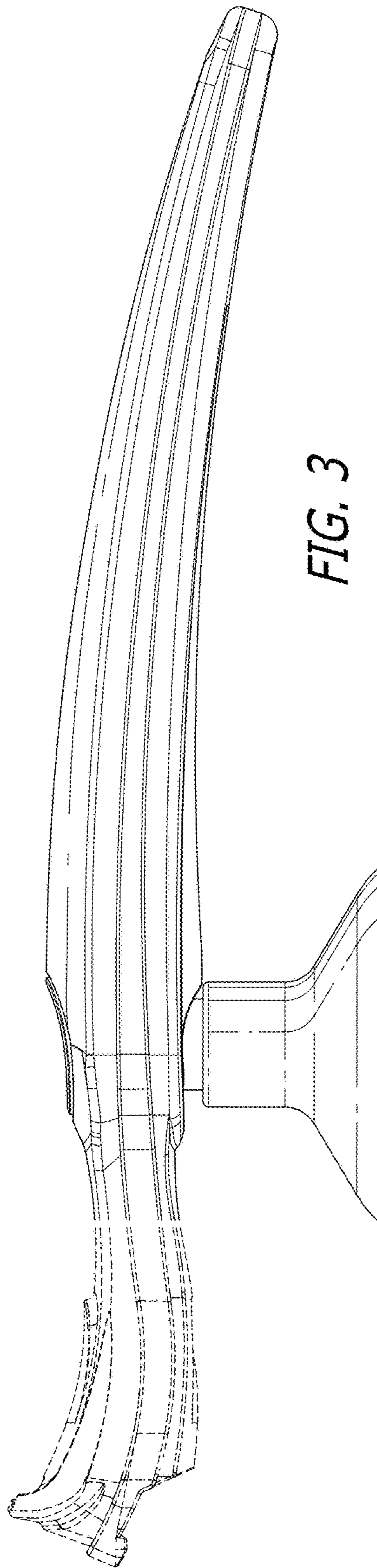


FIG. 3

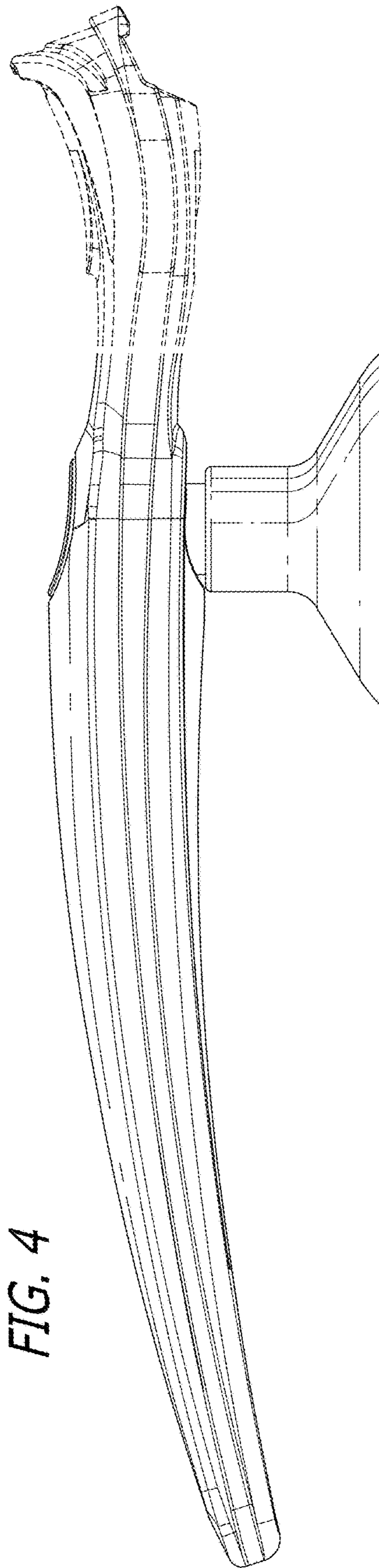


FIG. 4

