



US00D821649S

(12) **United States Design Patent**
Qin

(10) **Patent No.:** **US D821,649 S**

(45) **Date of Patent:** **** Jun. 26, 2018**

- (54) **HEATED HAIR STRAIGHTENER BRUSH**
- (71) Applicant: **Shenzhen Jinri Electrical Appliance Co., Ltd., Guangdong (CN)**
- (72) Inventor: **Jie Qin, Guangdong (CN)**
- (**) Term: **15 Years**
- (21) Appl. No.: **29/572,641**
- (22) Filed: **Jul. 29, 2016**
- (51) **LOC (11) Cl.** **04-02**
- (52) **U.S. Cl.**
USPC **D28/35; D4/100**
- (58) **Field of Classification Search**
USPC D4/100, 116, 127, 129, 130, 132, 133, D4/134, 136, 138; D28/21, 24, 30, 35
CPC A45D 1/04; A45D 2/001; A45D 2/002; A45D 24/007; A45D 24/10; A45D 24/16; A46B 1/00; A46B 3/005; A46B 3/22; A46B 5/00; A46B 2200/10; A46B 2200/102; A46B 2200/104
See application file for complete search history.

2016/0227898	A1*	8/2016	Wu	A45D 2/002
2016/0262518	A1*	9/2016	Guy-Rabi	A46B 3/005
2017/0215540	A1*	8/2017	Qin	A45D 2/002 132/118

OTHER PUBLICATIONS

Gisala Metal Ceramic Heater Hair Straightening Brush . . . [on-line]; [review posted to the Internet on May 15, 2016]; URL: <https://www.amazon.com/Gisala-Straightening-Temperature-Professional-Straightener/dp/B01EYDKLDO?th=1>. (3 pgs). (Year: 2016).*

Straight Up Ceramic Straightening Brush, [on-line]; [review posted to the Internet on May 28, 2016]; [retrieved from the Internet on Aug. 29, 2017]; URL: <http://www.ulta.com/straight-up-ceramic-straightening-brush?productId=xlsImpprod14241005>. (3 pgs). (Year: 2016).*

(Continued)

Primary Examiner — Karen E Eldridge Powers
Assistant Examiner — Jasmine Mlinarcik
 (74) *Attorney, Agent, or Firm* — Prakash Nama; Global IP Services, PLLC

(57) **CLAIM**

The ornamental design for a heated hair straightener brush, as shown and described.

DESCRIPTION

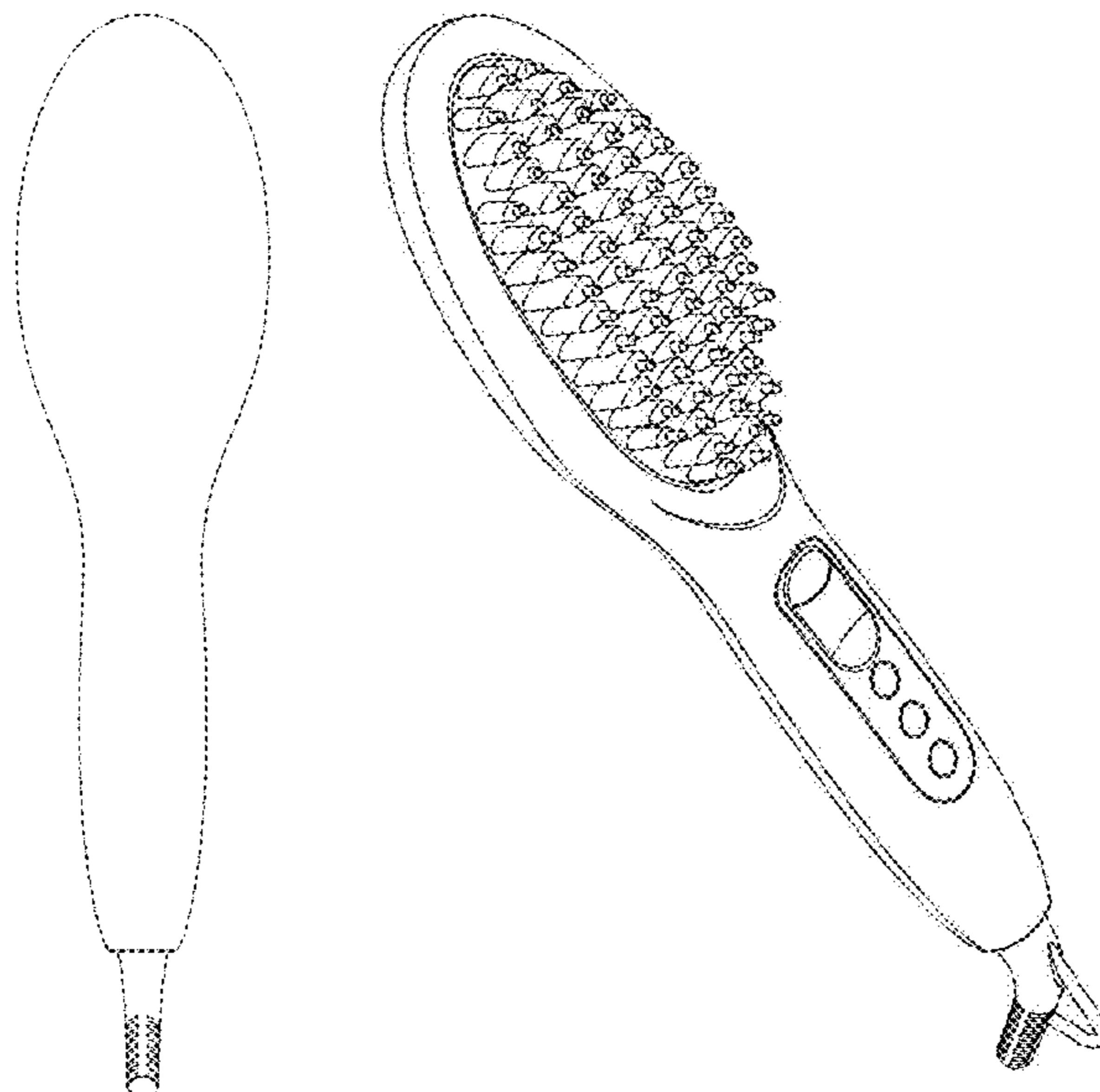
FIG. 1 is a front elevational view of a heated hair straightener brush showing my new design;
 FIG. 2 is a rear elevational view thereof;
 FIG. 3 is a left side view thereof;
 FIG. 4 is a right side view thereof;
 FIG. 5 is a top plan view thereof, shown in an enlarged scale;
 FIG. 6 is a bottom plan view thereof, shown in an enlarged scale;
 FIG. 7 is a perspective view thereof; and,
 FIG. 8 is another perspective view thereof.

1 Claim, 7 Drawing Sheets

(56) **References Cited**

U.S. PATENT DOCUMENTS

1,436,957	A *	11/1922	Harvey	A61N 1/322 15/160
5,297,882	A *	3/1994	Kornides	A01K 13/002 132/112
D439,747	S *	4/2001	Harris	D4/136
D457,729	S *	5/2002	Humphrey	D4/114
D547,068	S *	7/2007	Major	D30/158
D570,045	S *	5/2008	Julemont	D28/35
D656,732	S *	4/2012	Vu	D4/100
D721,502	S *	1/2015	Michel	D4/100
D787,198	S *	5/2017	Lin	D4/199
2015/0122286	A1*	5/2015	Valle	A45D 1/04 132/229



(56)

References Cited

OTHER PUBLICATIONS

Hair Straightener Brush from Hairizone . . . [on-line]; [review posted to the Internet on Jan. 17, 2017]; [retrieved from the Internet on Aug. 29, 2017]; URL: <https://www.amazon.com/Straightener-Hairizone-Straightening-Frizz-Free-Anti-Scald/dp/B01N429V6I>. (4 pgs). (Year: 2017).*

* cited by examiner

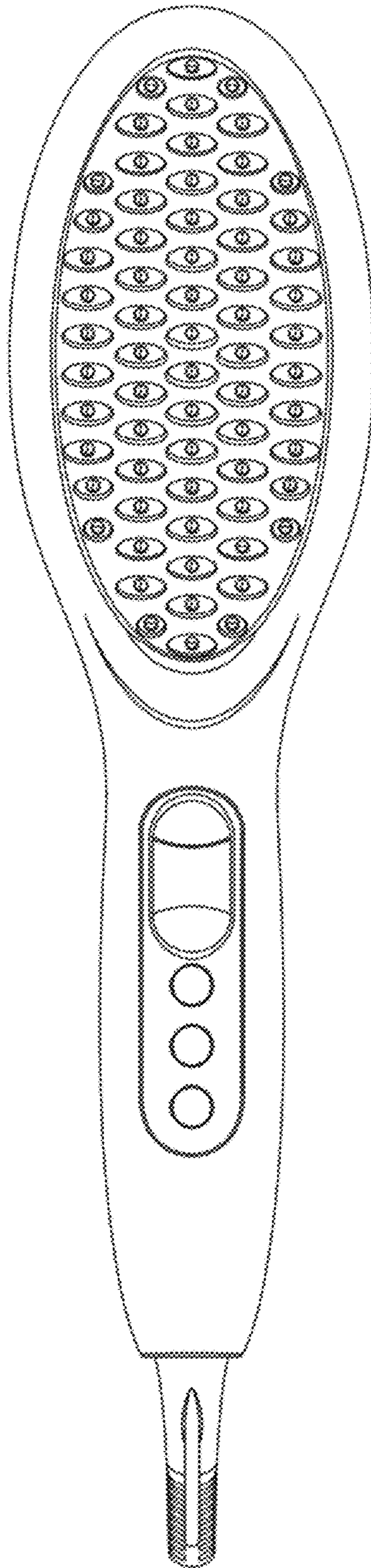


FIG. 1

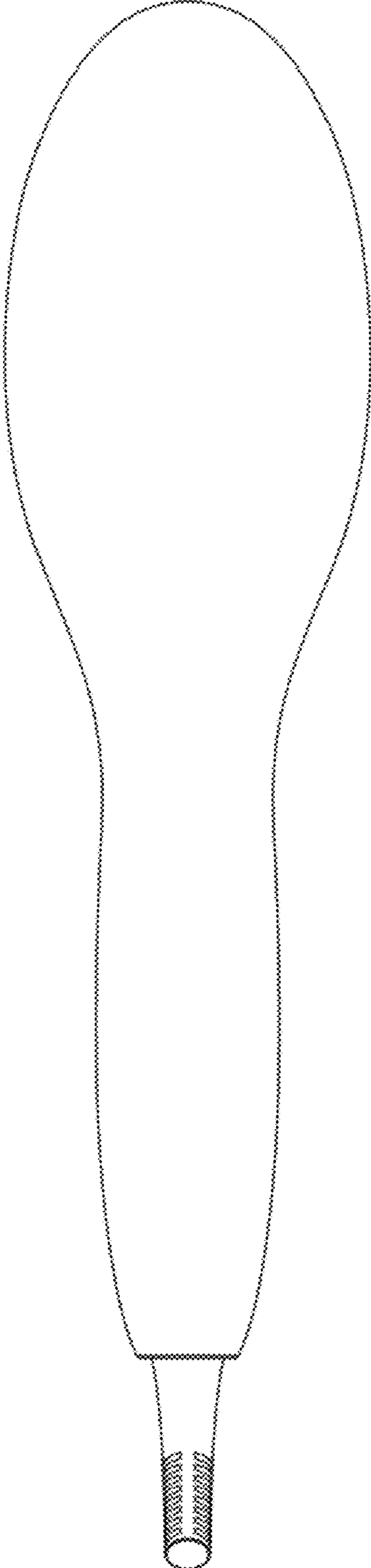


FIG. 2

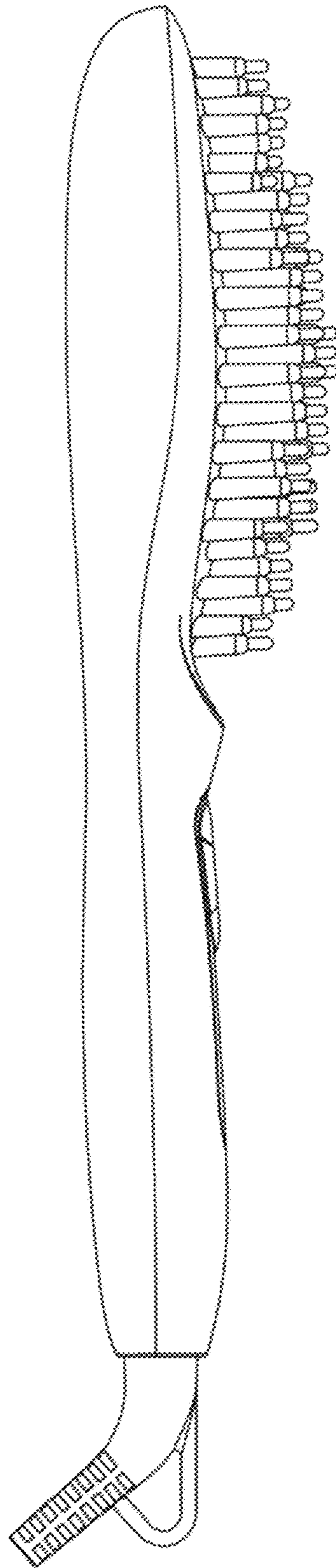


FIG. 3

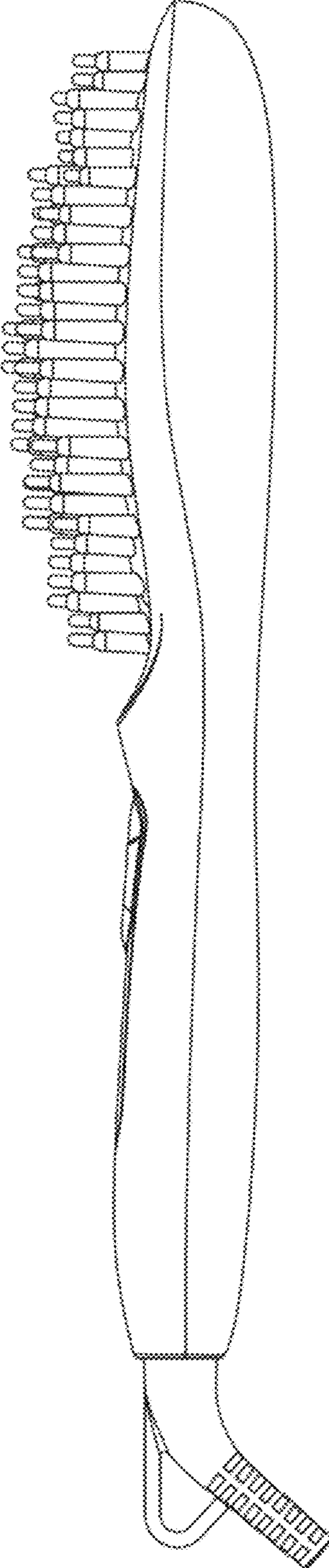


FIG. 4

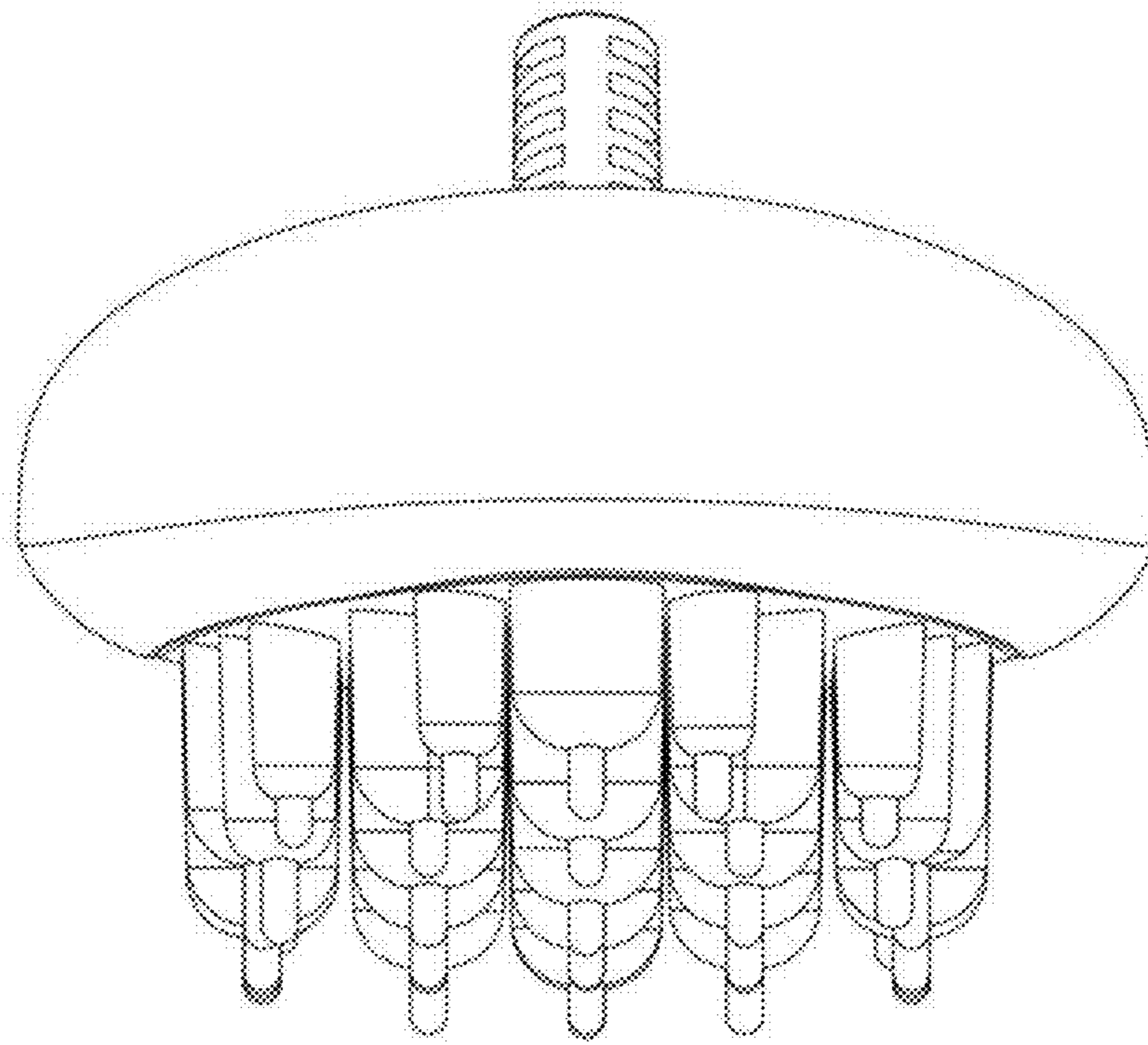


FIG. 5

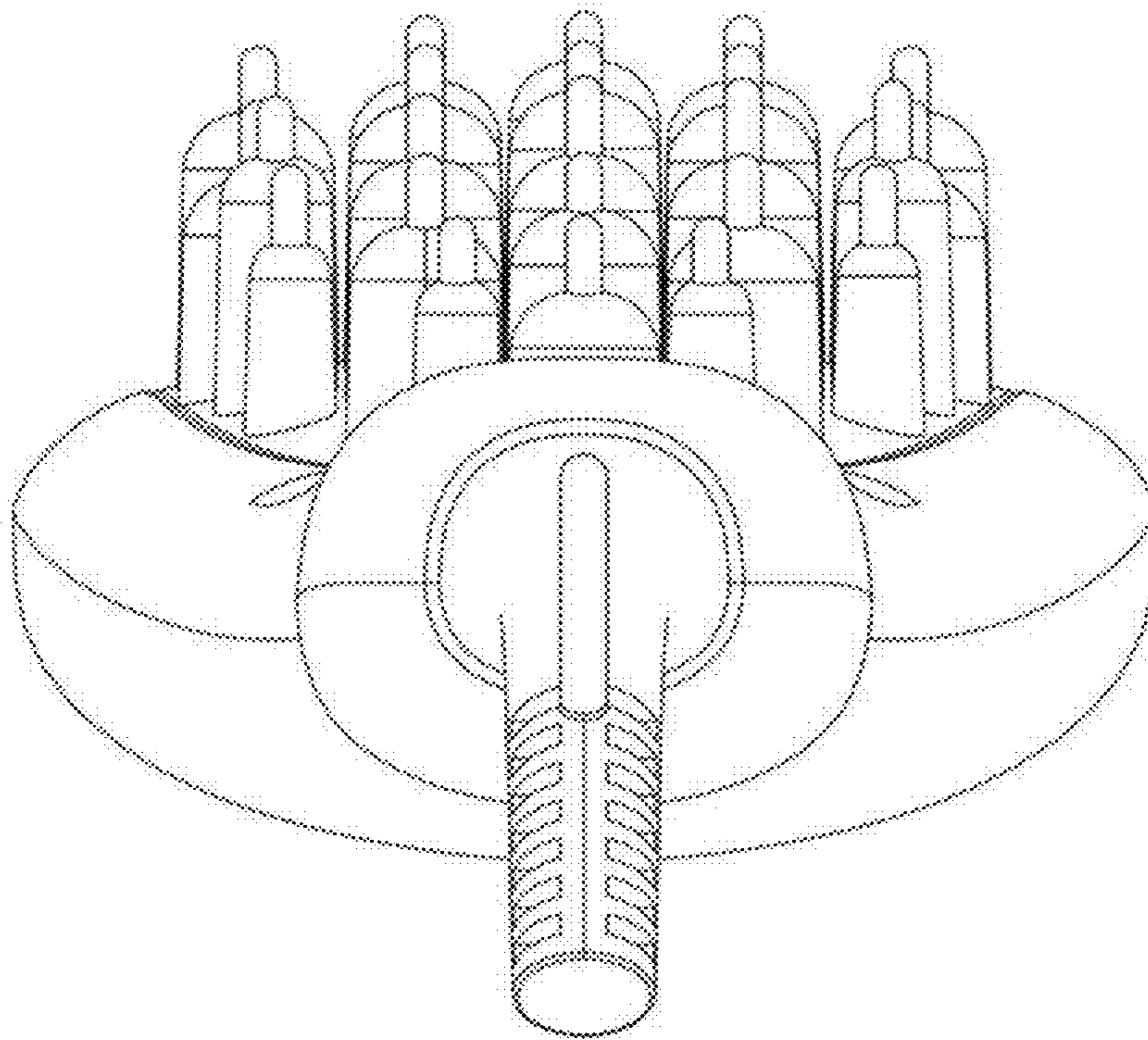


FIG. 6

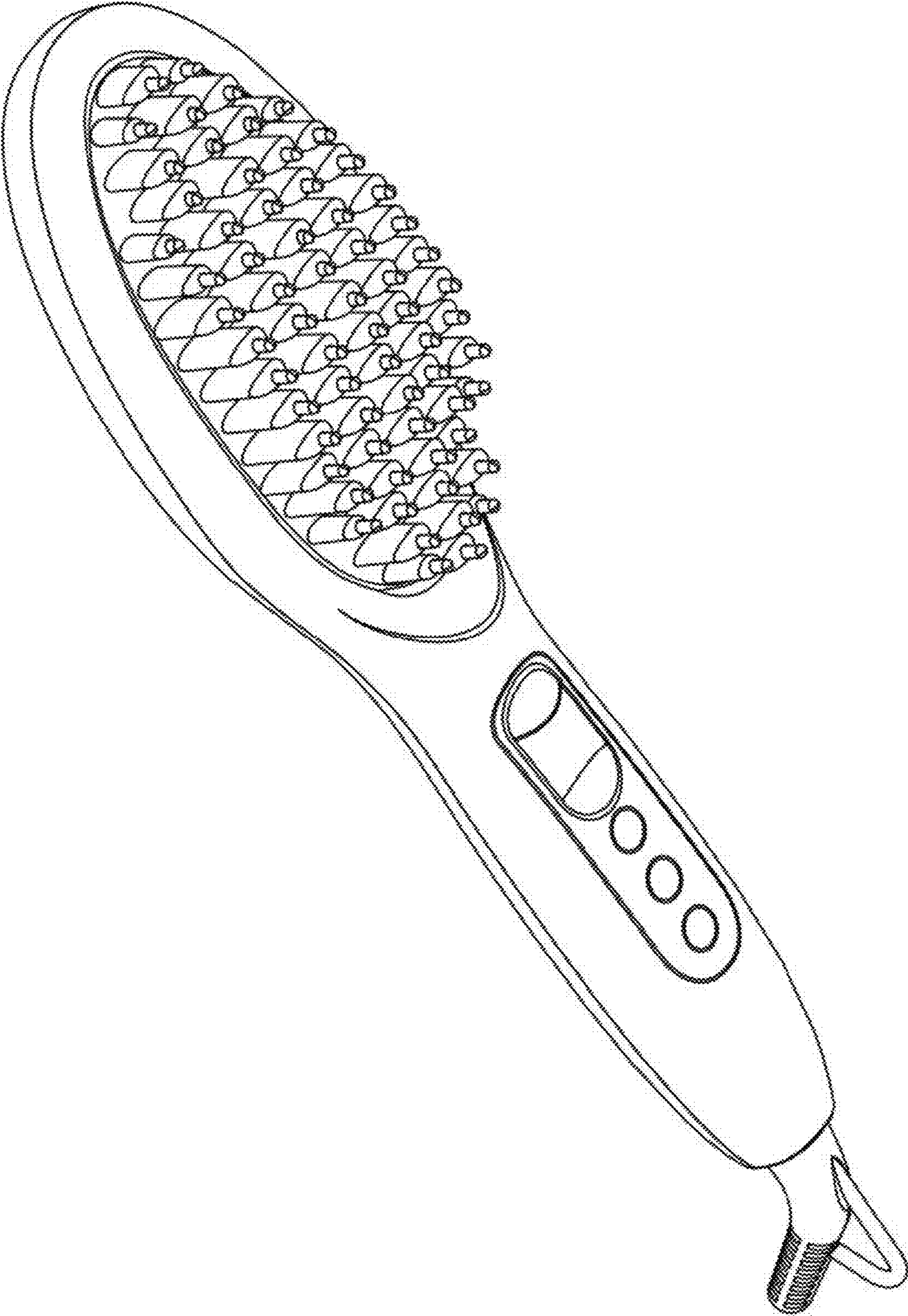


FIG. 7

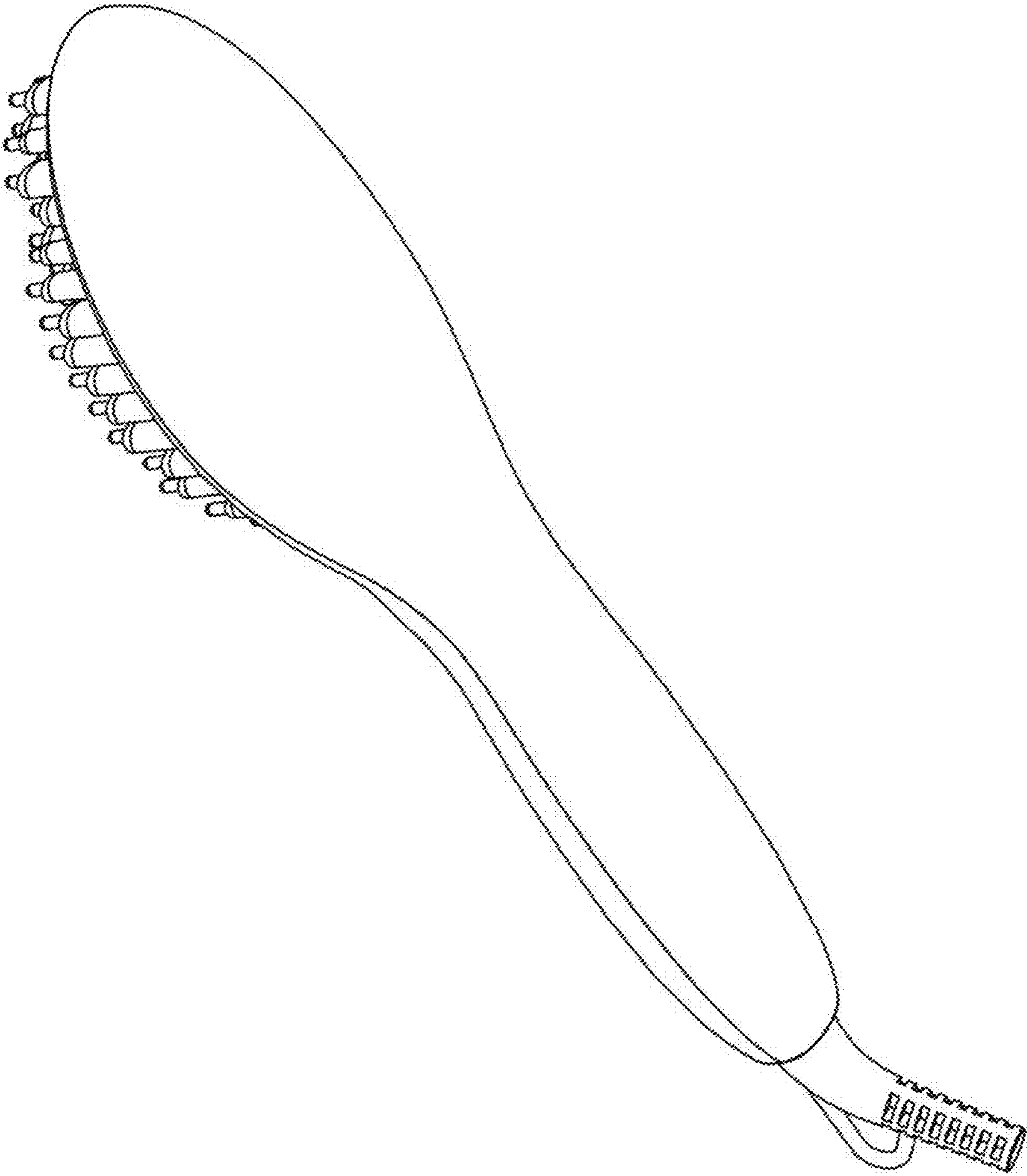


FIG. 8