



US00D821647S

(12) **United States Design Patent**
Parodi

(10) **Patent No.:** **US D821,647 S**
(45) **Date of Patent:** **** Jun. 26, 2018**

(54) **ELECTRIC HAIR DRYER**

(71) Applicant: **Parlux S.p.A.**, Trezzano sul Naviglio
(Milan) (IT)

(72) Inventor: **Paolo Parodi**, Trezzano sul Naviglio
(IT)

(73) Assignee: **PARLUX S.P.A.**, Trezzano sul Naviglio
(Milan) (IT)

(**) Term: **15 Years**

(21) Appl. No.: **29/559,654**

(22) Filed: **Mar. 30, 2016**

(30) **Foreign Application Priority Data**

Mar. 3, 2016 (EM) 003011550

(51) **LOC (11) Cl.** **28-03**

(52) **U.S. Cl.**
USPC **D28/13**

(58) **Field of Classification Search**

USPC 34/283; D30/158; D28/12-16, 18-19,
D28/24, 28, 54.1; D8/14.1, 29.1-29.2, 68
CPC A45D 20/00; A45D 20/04; A45D 20/06;
A45D 20/08; A45D 20/10; A45D 20/12;
A45D 20/122; A45D 20/28; A45D 20/48;
A45D 2020/128; A47K 10/00; B29C
59/00

See application file for complete search history.

(56) **References Cited**

U.S. PATENT DOCUMENTS

D268,290 S * 3/1983 McBrien D28/13
D391,017 S * 2/1998 Gudfin D28/13
D432,716 S * 10/2000 Goetschi D28/13
D456,943 S 5/2002 Micinilio et al.
D460,214 S 7/2002 Parodi
D470,975 S 2/2003 Rizzuto, Jr.
D470,976 S 2/2003 Rizzuto, Jr.
6,671,460 B1 * 12/2003 Smal A45D 20/12
200/18

D494,710 S * 8/2004 Parodi D28/13
D496,754 S * 9/2004 Parodi D28/13
D518,919 S * 4/2006 Parodi D28/13
D520,680 S * 5/2006 Petruccelli, Sr. D28/13
D527,145 S 8/2006 Zimmermann
D528,698 S * 9/2006 Rizzuto, Jr. D28/13
D529,230 S 9/2006 Koenemann
D541,981 S 5/2007 Ceva
D543,313 S 5/2007 Petruccelli, Jr.
D544,147 S 6/2007 Baudouin
D581,590 S * 11/2008 Leung D28/13

(Continued)

OTHER PUBLICATIONS

“Parlux advance light ionic and ceramic hair dryer,” [online], posted Dec. 21, 2016, retrieved May 8, 2017, retrieved from <https://www.amazon.com/Parlux-Advance-Light-Ionic-Ceramic/dp/B01D8K29LG/ref=sr_1_7_a_it?ie=UTF8&qid=1494246782&sr=8-7&keywords=parlux%2Bhair%2Bdryer&th=1>.*

Primary Examiner — Shannon W Morgan
(74) *Attorney, Agent, or Firm* — Jacobson Holman, PLLC.

(57) **CLAIM**

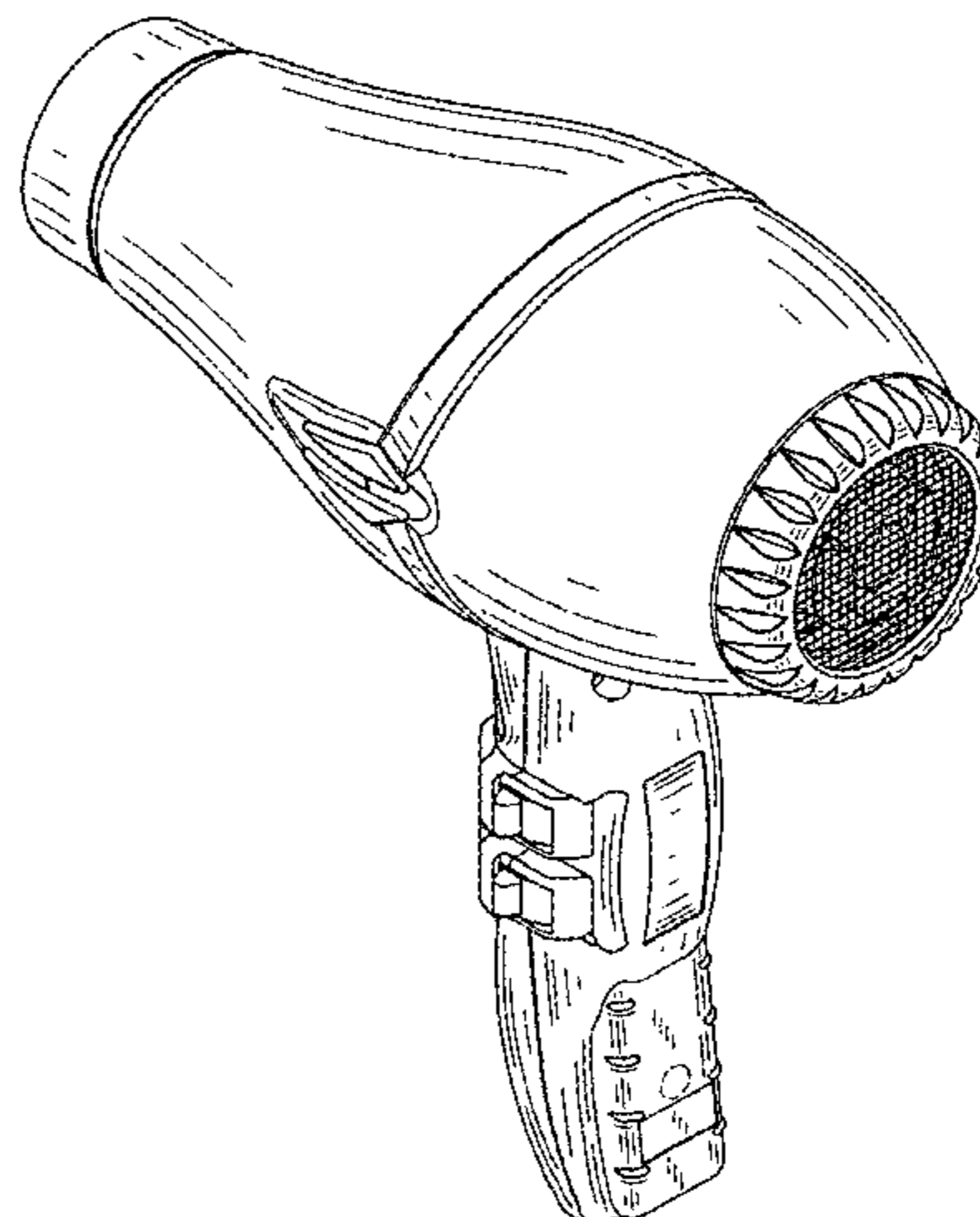
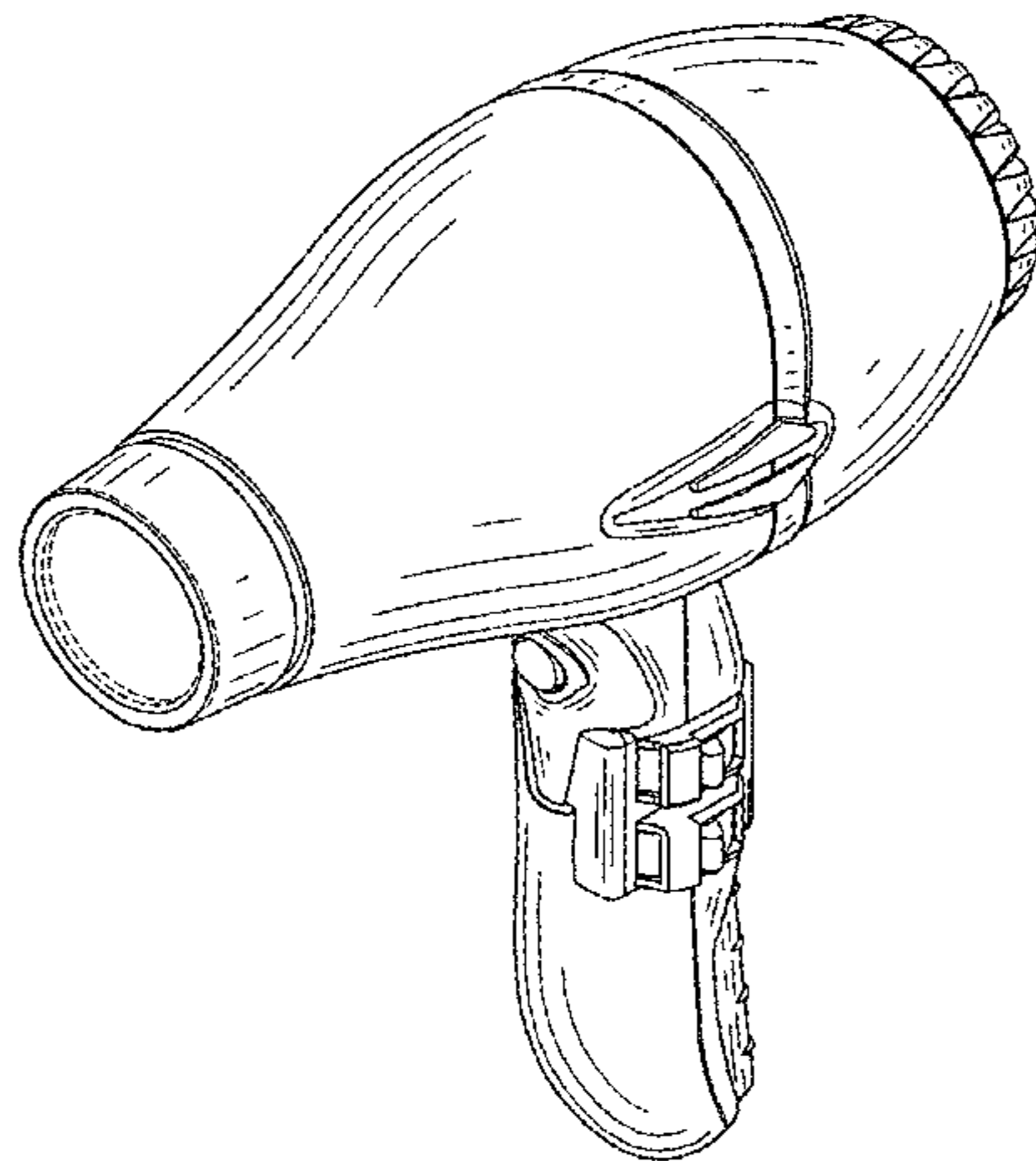
The ornamental design for an electric hair dryer, as shown and described.

DESCRIPTION

FIG. 1 is a front perspective view of an electric hair dryer showing my new design;
FIG. 2 is a rear perspective view of FIG. 1;
FIG. 3 is a right hand side elevational view of FIG. 1;
FIG. 4 is a left hand side elevational view of FIG. 1;
FIG. 5 is a top plan view of FIG. 1;
FIG. 6 is a front elevational view of FIG. 1;
FIG. 7 is a rear elevational view of FIG. 1; and,
FIG. 8 is a bottom view of FIG. 1.

The broken lines shown in the figures depict portions of the electric hair dryer that form no part of the claimed design.

1 Claim, 8 Drawing Sheets



(56)

References Cited

U.S. PATENT DOCUMENTS

D586,036	S *	2/2009	Petrucelli, Jr.	D28/13
D600,406	S	9/2009	Leung	
D601,750	S *	10/2009	Eigenstetter	D28/13
D604,898	S *	11/2009	Parodi	D28/13
D606,247	S	12/2009	Yu et al.	
D606,249	S *	12/2009	Leung	D28/13
D615,243	S	5/2010	Parodi	
D641,521	S *	7/2011	Parodi	D28/13
D678,607	S *	3/2013	Parodi	D28/13
D681,274	S *	4/2013	Huang	D28/13
D681,275	S *	4/2013	Huang	D28/13
D697,667	S *	1/2014	Yoe	D28/13
D715,485	S *	10/2014	Parodi	A45D 20/12
				D28/13
D716,999	S *	11/2014	Americano	A45D 20/122
				D28/13
D758,657	S *	6/2016	Hary	D28/13
2008/0116753	A1 *	5/2008	Carlucci	A45D 20/10
				310/50
2012/0124854	A1 *	5/2012	Lee	A45D 20/12
				34/97
2012/0125909	A1 *	5/2012	Scheunert	A45D 20/12
				219/222
2012/0266483	A1 *	10/2012	Palermo	A45D 20/10
				34/97
2013/0025106	A1 *	1/2013	Hernandez-Laines .	A45D 20/12
				29/428
2013/0133682	A1 *	5/2013	Yoe	A45D 20/124
				132/227
2014/0144459	A1 *	5/2014	Fung	A45D 1/04
				132/271

* cited by examiner

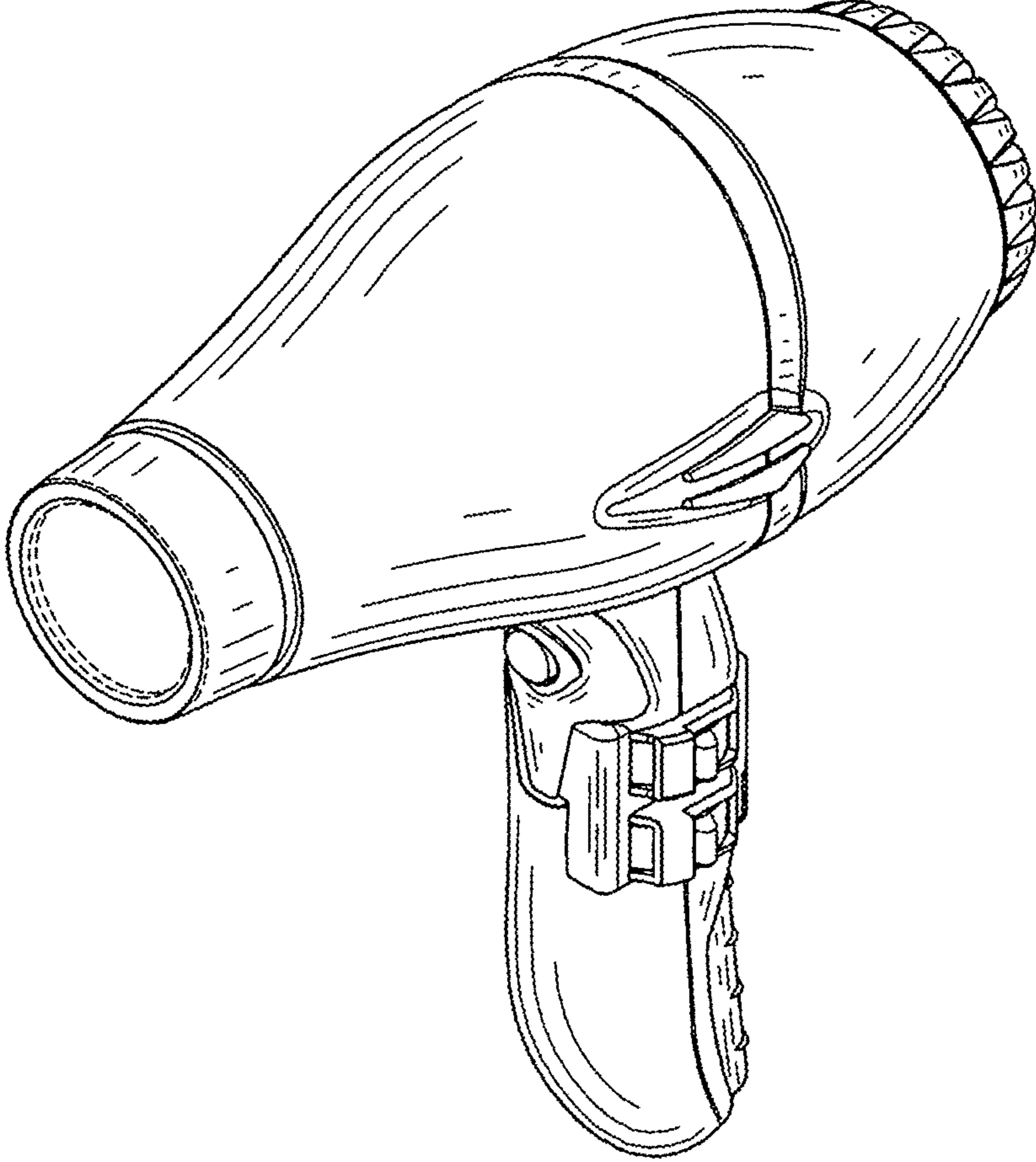


FIG. 1

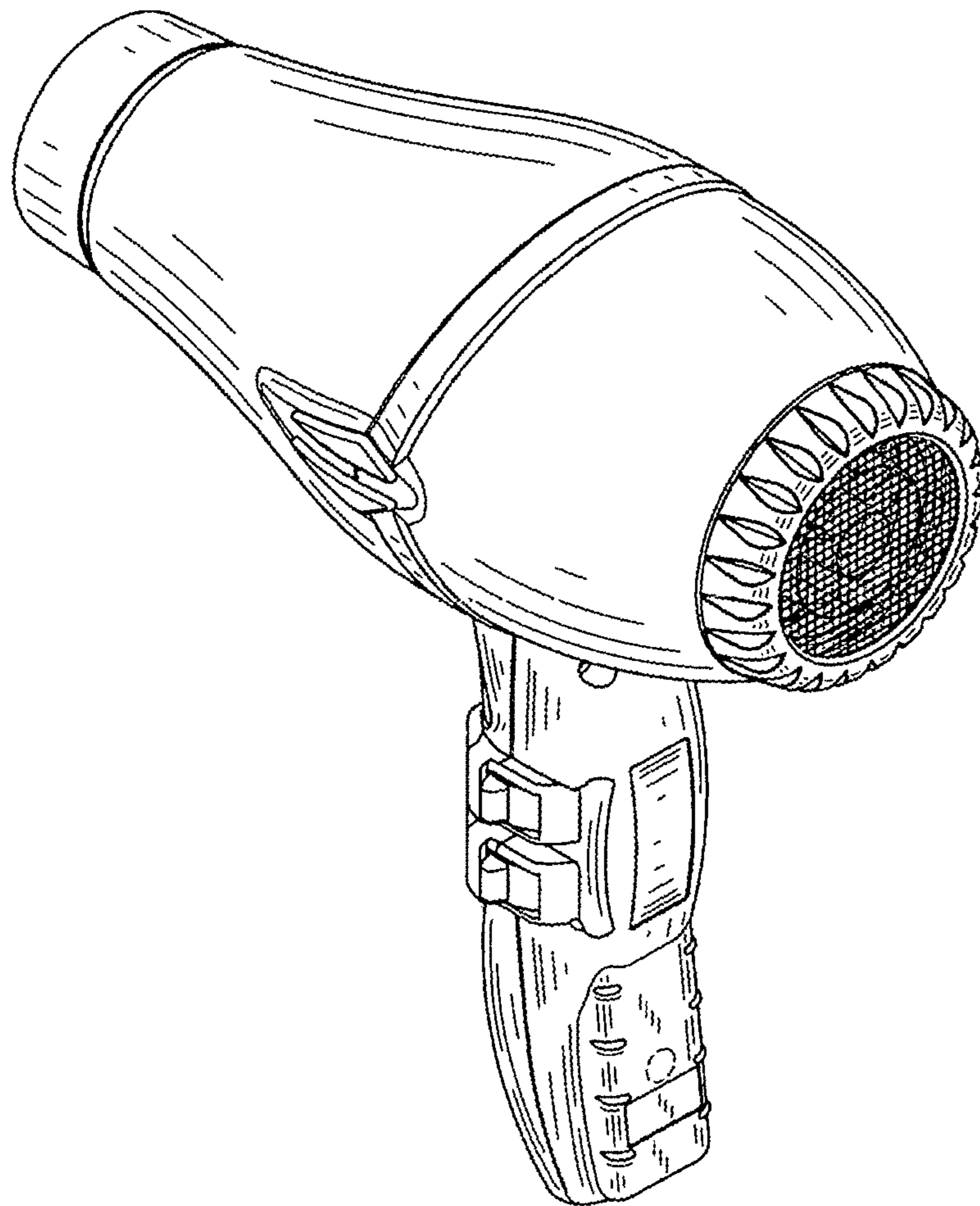


FIG. 2

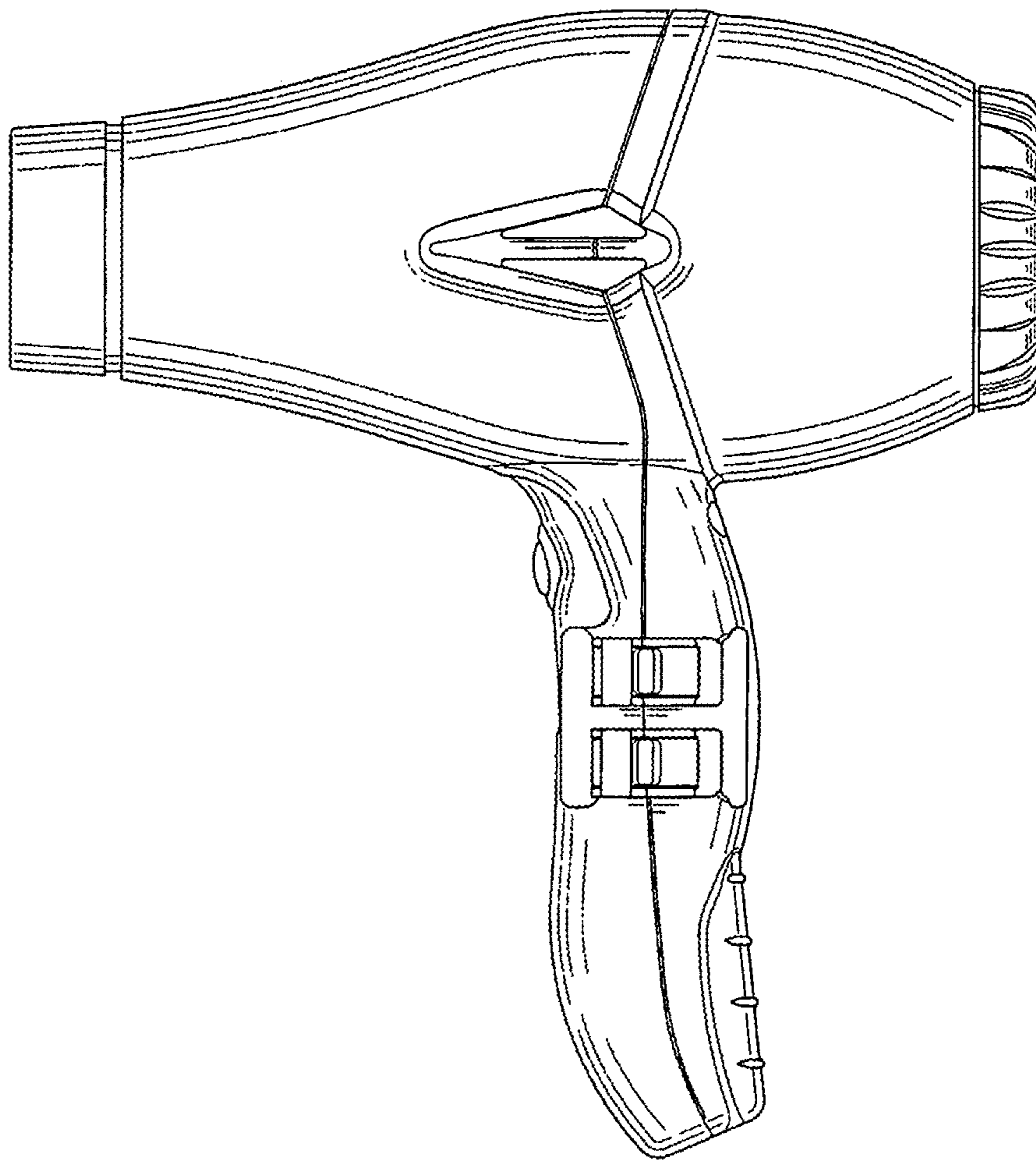


FIG. 3

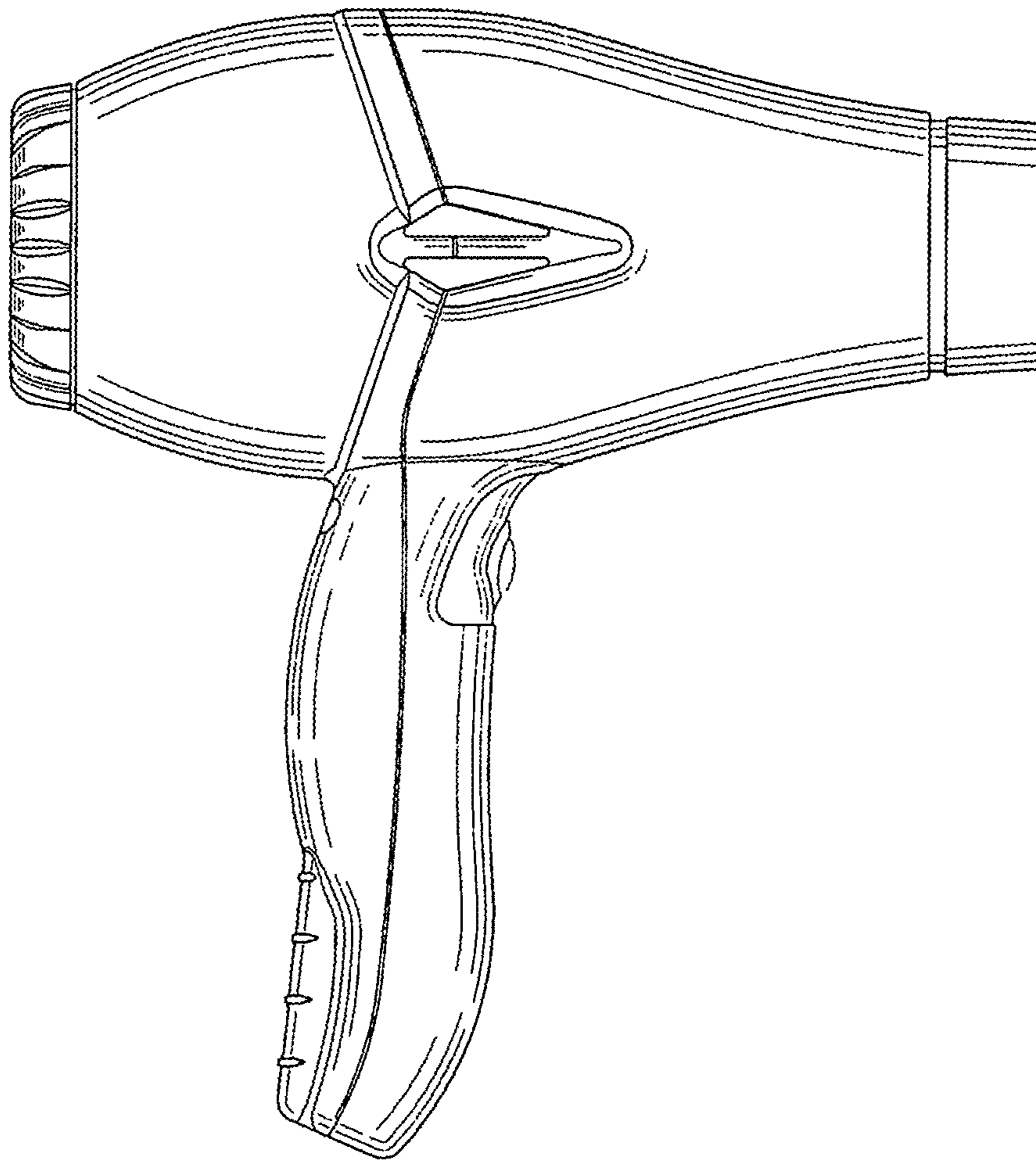


FIG. 4

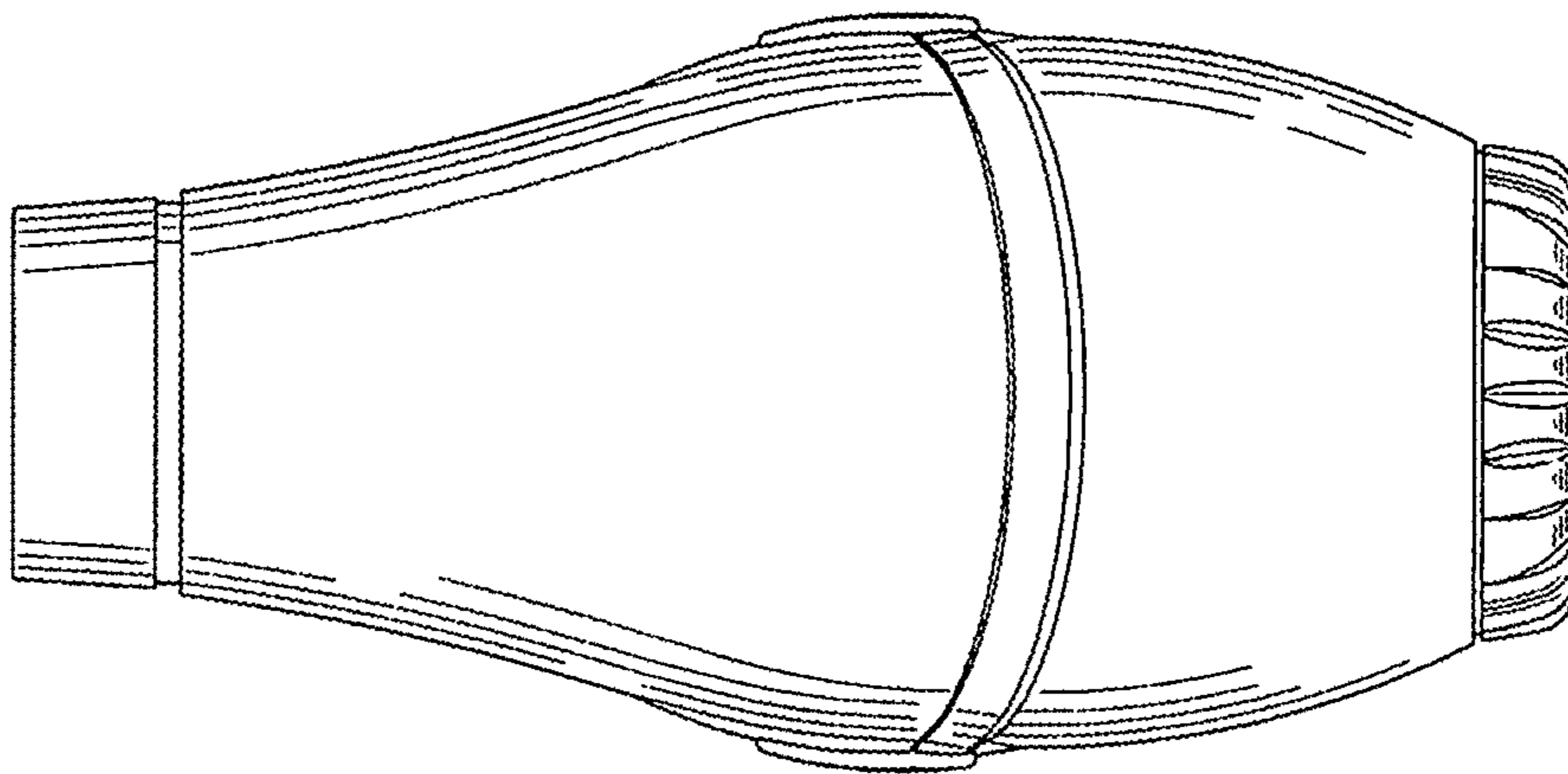


FIG. 5

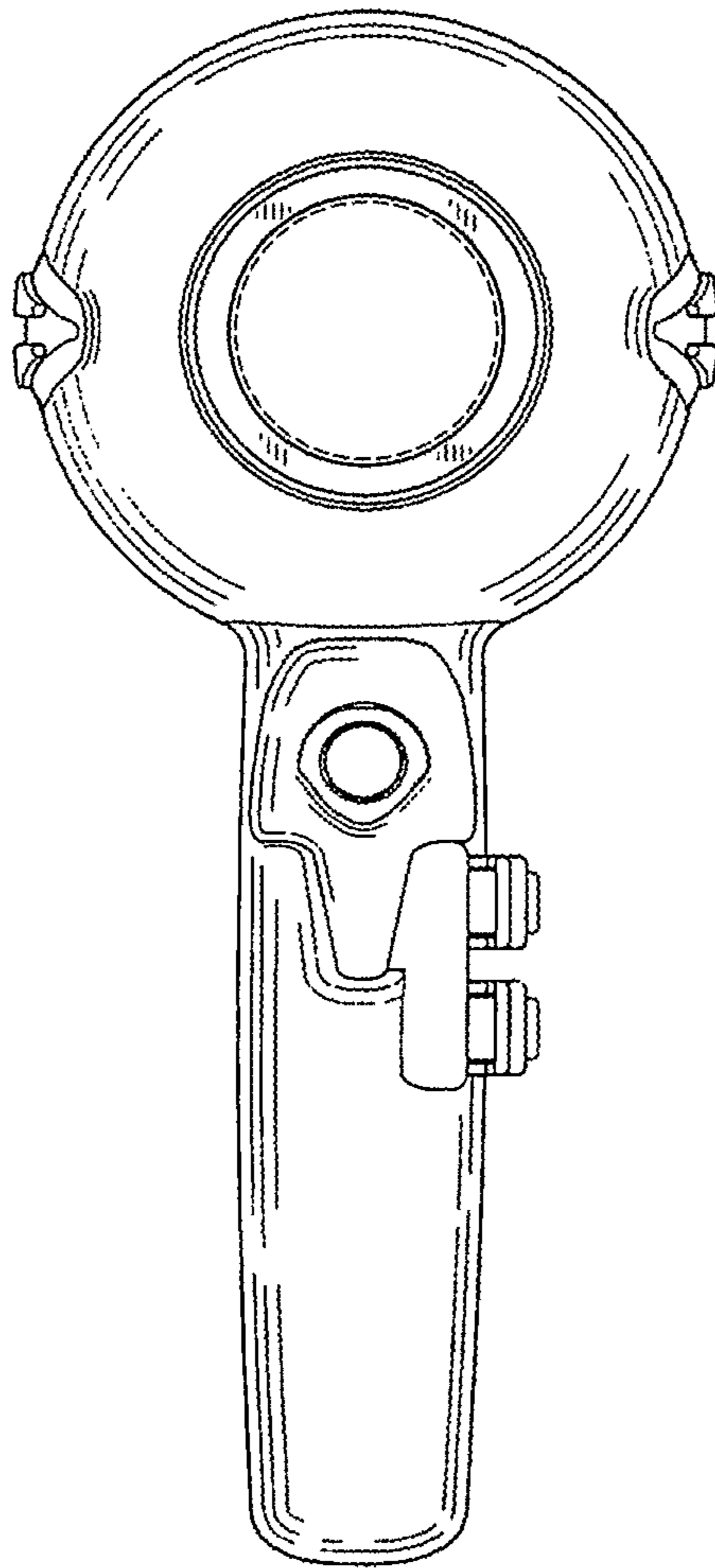


FIG. 6

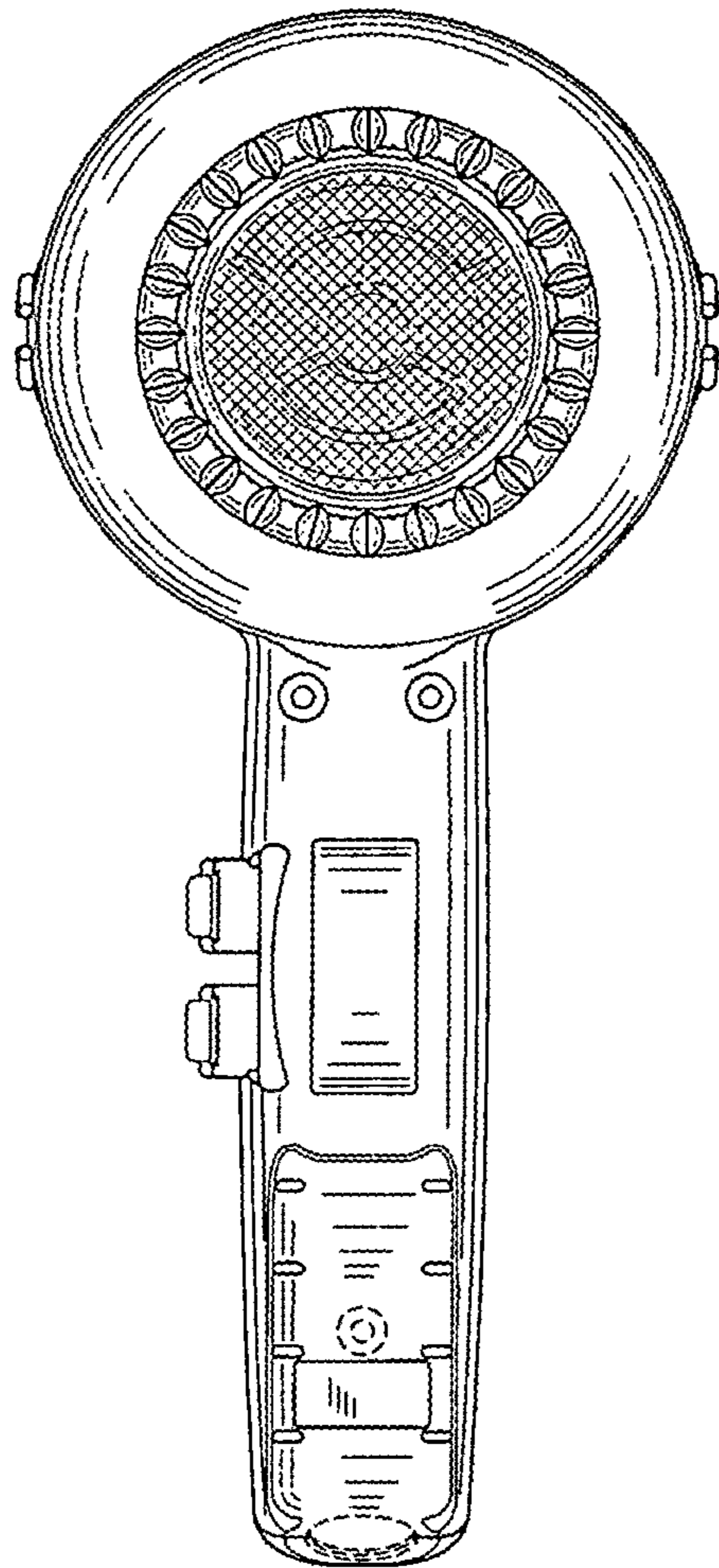


FIG. 7

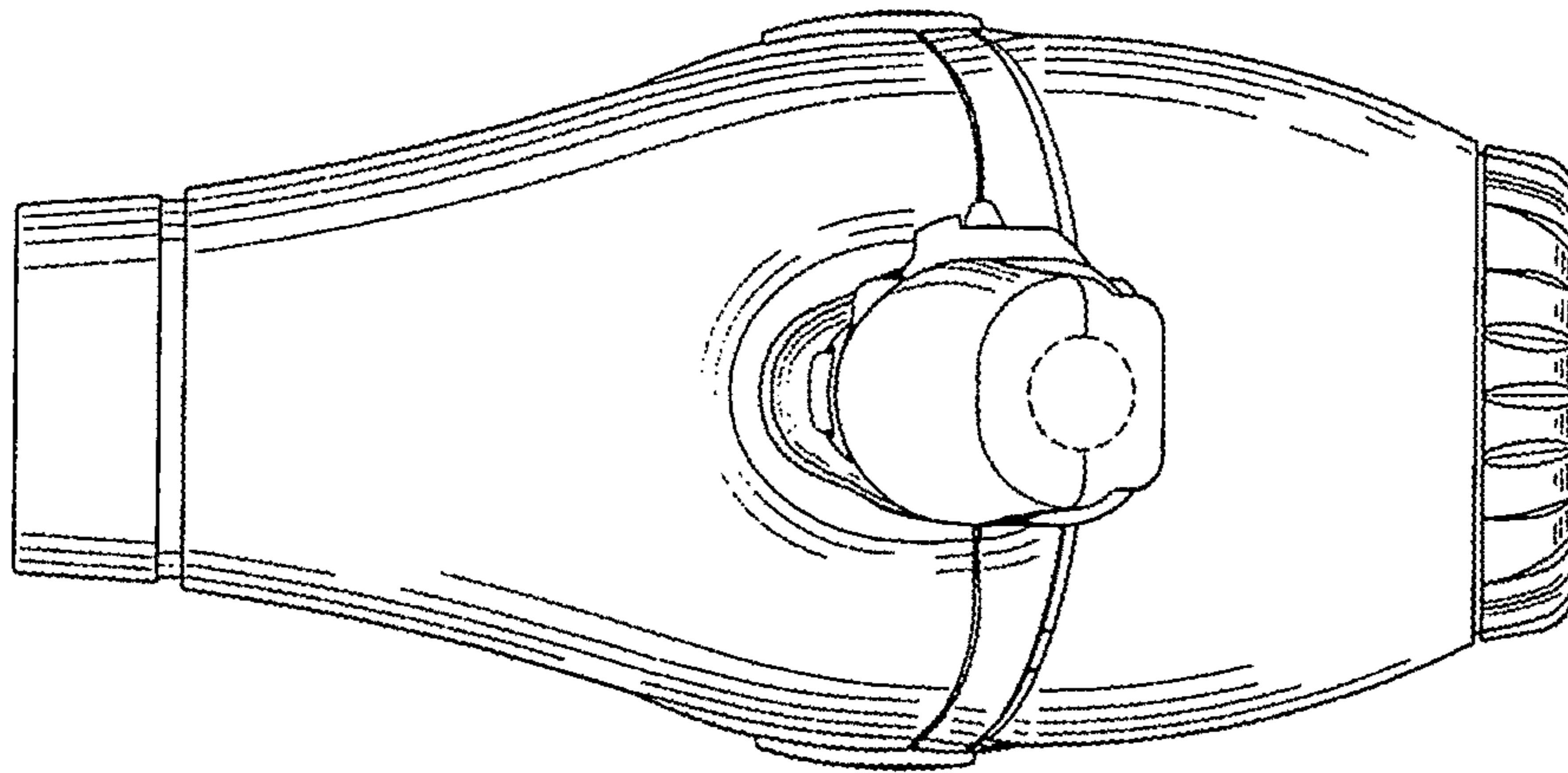


FIG. 8