



US00D821641S

(12) **United States Design Patent**  
**Watson**

(10) **Patent No.:** **US D821,641 S**  
(45) **Date of Patent:** **\*\* Jun. 26, 2018**

- (54) **VAPORIZER TIP**
- (71) Applicant: **Zipline Innovations, LLC**, Denver, CO (US)
- (72) Inventor: **James Matthew Watson**, Katy, TX (US)
- (73) Assignee: **Zipline Innovations, LLC**, Denver, CO (US)
- (\*\*) Term: **15 Years**
- (21) Appl. No.: **29/597,299**
- (22) Filed: **Mar. 16, 2017**
- (51) **LOC (11) Cl.** ..... **27-99**
- (52) **U.S. Cl.**  
USPC ..... **D27/194**
- (58) **Field of Classification Search**  
USPC ..... D27/100, 101, 162–170, 172–195  
CPC ..... A24F 1/30; A24F 47/002; A24F 9/14  
See application file for complete search history.

- 2014/0360514 A1\* 12/2014 Zhu ..... A24F 47/008  
131/329
- 2015/0282528 A1\* 10/2015 Liu ..... A24F 47/008  
131/329
- 2015/0282529 A1\* 10/2015 Li ..... A24F 47/008  
131/273
- 2015/0296889 A1\* 10/2015 Liu ..... A24F 47/008  
131/329
- 2015/0313288 A1\* 11/2015 Liu ..... A24F 47/008  
131/329
- 2015/0335072 A1\* 11/2015 Giller ..... F21V 33/0004  
131/328
- 2015/0374039 A1\* 12/2015 Zhu ..... A24F 47/008  
131/329
- 2016/0000146 A1\* 1/2016 Zhu ..... A24F 47/008  
392/404
- 2016/0073692 A1\* 3/2016 Alarcon ..... A24F 47/008  
131/329
- 2016/0113327 A1\* 4/2016 Wu ..... A24F 47/008  
131/329
- 2016/0120226 A1\* 5/2016 Rado ..... A24F 47/008  
131/329

(Continued)

*Primary Examiner* — Robert M. Spear  
*Assistant Examiner* — Marissa J Cash  
(74) *Attorney, Agent, or Firm* — Seyfarth Shaw LLP

(56) **References Cited**

U.S. PATENT DOCUMENTS

- D683,897 S \* 6/2013 Liu ..... D27/170
- D720,499 S \* 12/2014 Alima ..... D27/167
- D724,264 S \* 3/2015 Chambers ..... D27/101
- D729,440 S \* 5/2015 Liu ..... D27/101
- D740,488 S \* 10/2015 Leidel ..... D27/167
- D747,547 S \* 1/2016 Liu ..... D27/101
- D749,261 S \* 2/2016 Chen ..... D27/162
- D769,519 S \* 10/2016 Chen ..... D27/101
- D771,307 S \* 11/2016 Wu ..... D27/101
- D774,247 S \* 12/2016 Chen ..... D27/101
- D776,868 S \* 1/2017 Rado ..... D27/162
- D776,869 S \* 1/2017 Heidl ..... D27/163
- D792,022 S \* 7/2017 Li ..... D27/167
- D799,114 S \* 10/2017 Li ..... D27/167
- D800,382 S \* 10/2017 Mathias ..... D27/167
- D804,718 S \* 12/2017 Mathias ..... D27/162

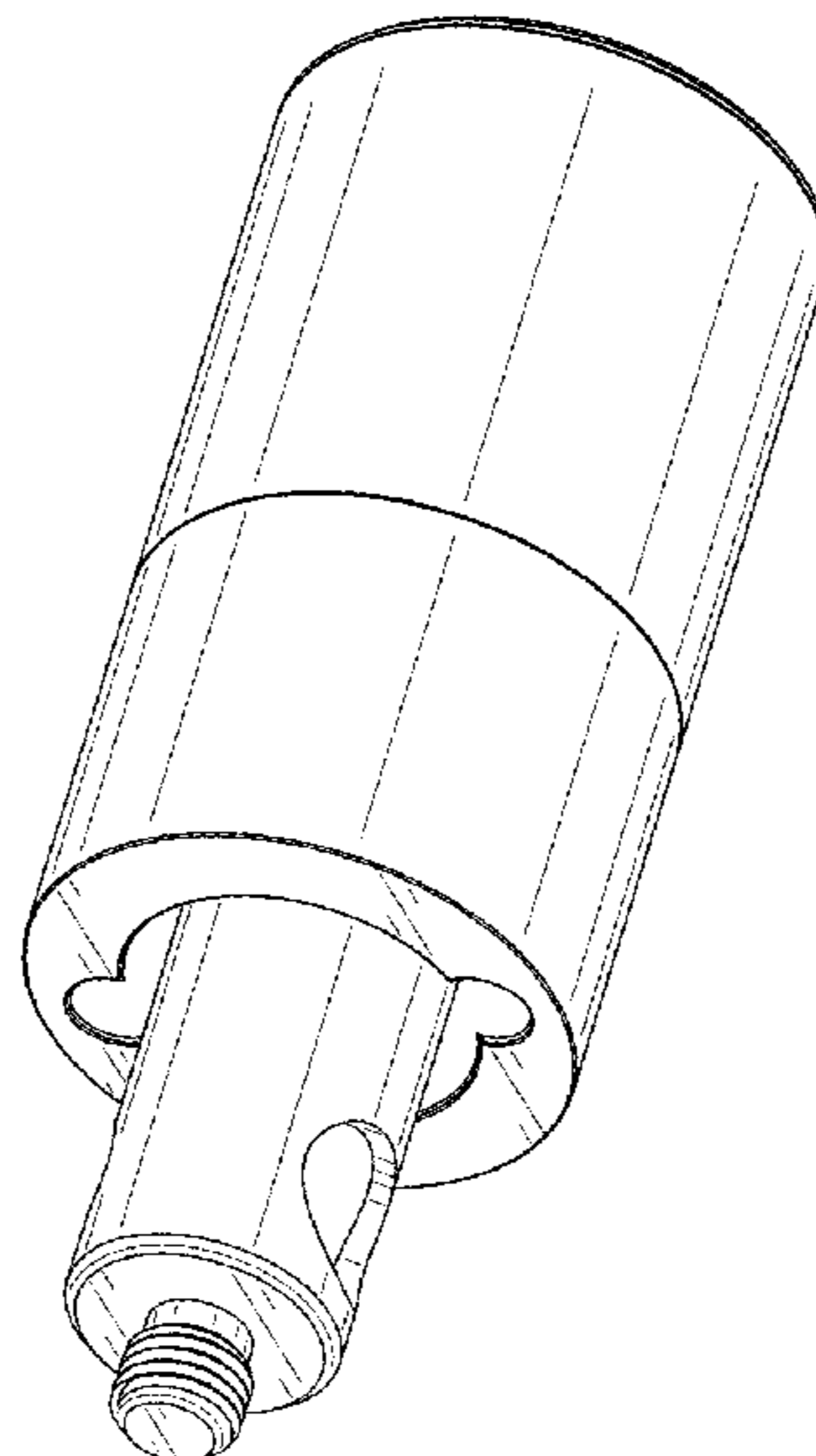
(57) **CLAIM**

The ornamental design for a vaporizer tip, as shown and described.

**DESCRIPTION**

FIG. 1 is a front perspective view of a vaporizer tip;  
FIG. 2 is a top view thereof;  
FIG. 3 is a bottom view thereof;  
FIG. 4 is a front view thereof;  
FIG. 5 is a rear view thereof;  
FIG. 6 is a left-side view thereof; and,  
FIG. 7 is a right-side view thereof.

**1 Claim, 6 Drawing Sheets**



(56)

**References Cited**

U.S. PATENT DOCUMENTS

2016/0121058 A1\* 5/2016 Chen ..... A61M 11/04  
128/200.19  
2016/0144458 A1\* 5/2016 Boldrini ..... B23K 31/02  
228/176  
2016/0150821 A1\* 6/2016 Liu ..... A24F 47/008  
131/329  
2016/0219935 A1\* 8/2016 Qiu ..... A24F 47/008  
2016/0262452 A1\* 9/2016 Zhu ..... A24F 47/008  
2016/0295920 A1\* 10/2016 Liu ..... H05B 3/0014  
2016/0338413 A1\* 11/2016 Li ..... A24F 47/008  
2017/0013881 A1\* 1/2017 Liu ..... A24F 47/008  
2017/0079327 A1\* 3/2017 Wu ..... A24F 47/008  
2017/0105453 A1\* 4/2017 Li ..... A24F 47/008  
2017/0112193 A1\* 4/2017 Chen ..... A24F 47/008  
2017/0119060 A1\* 5/2017 Li ..... A24F 47/008

\* cited by examiner

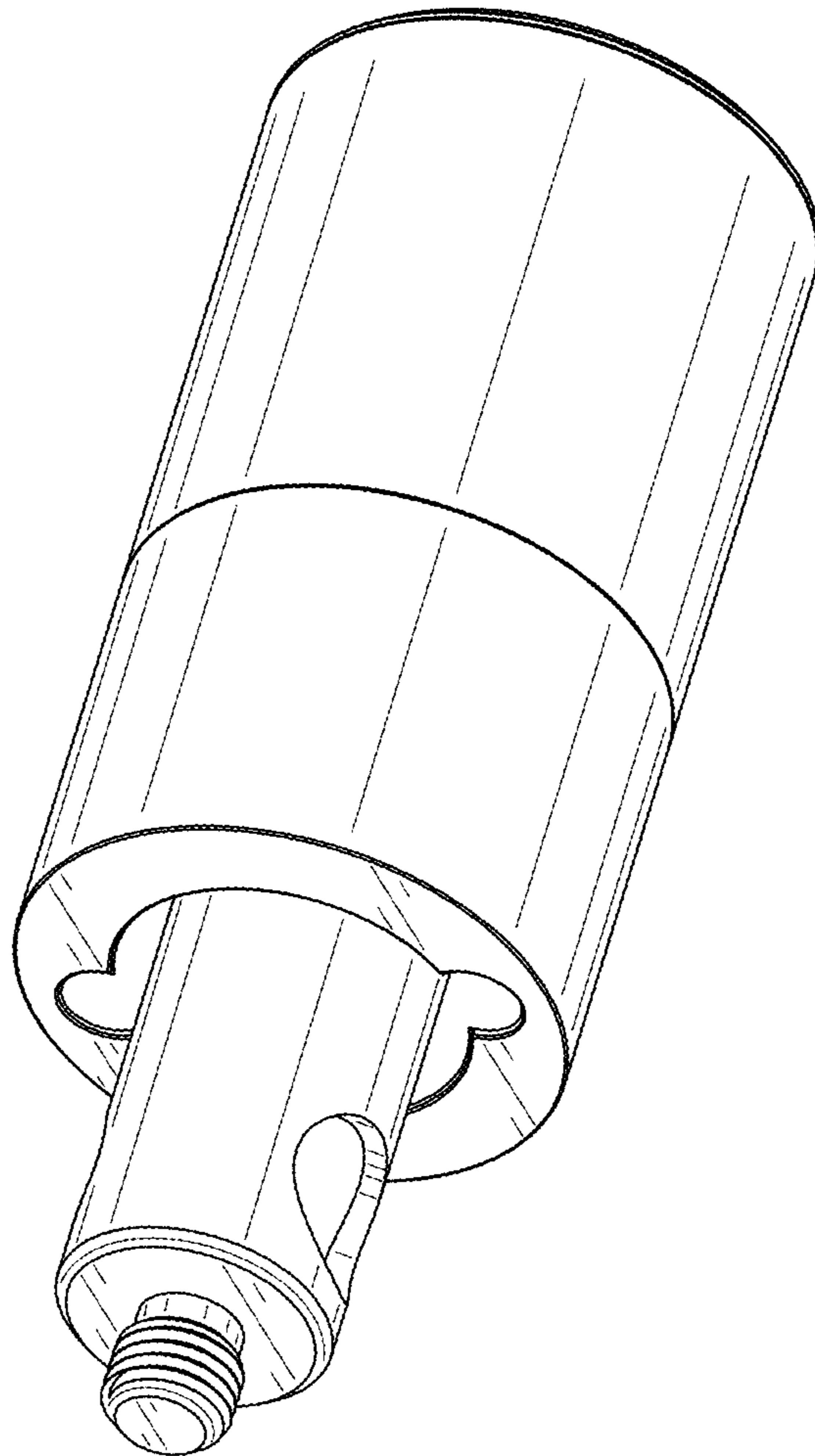


FIG. 1

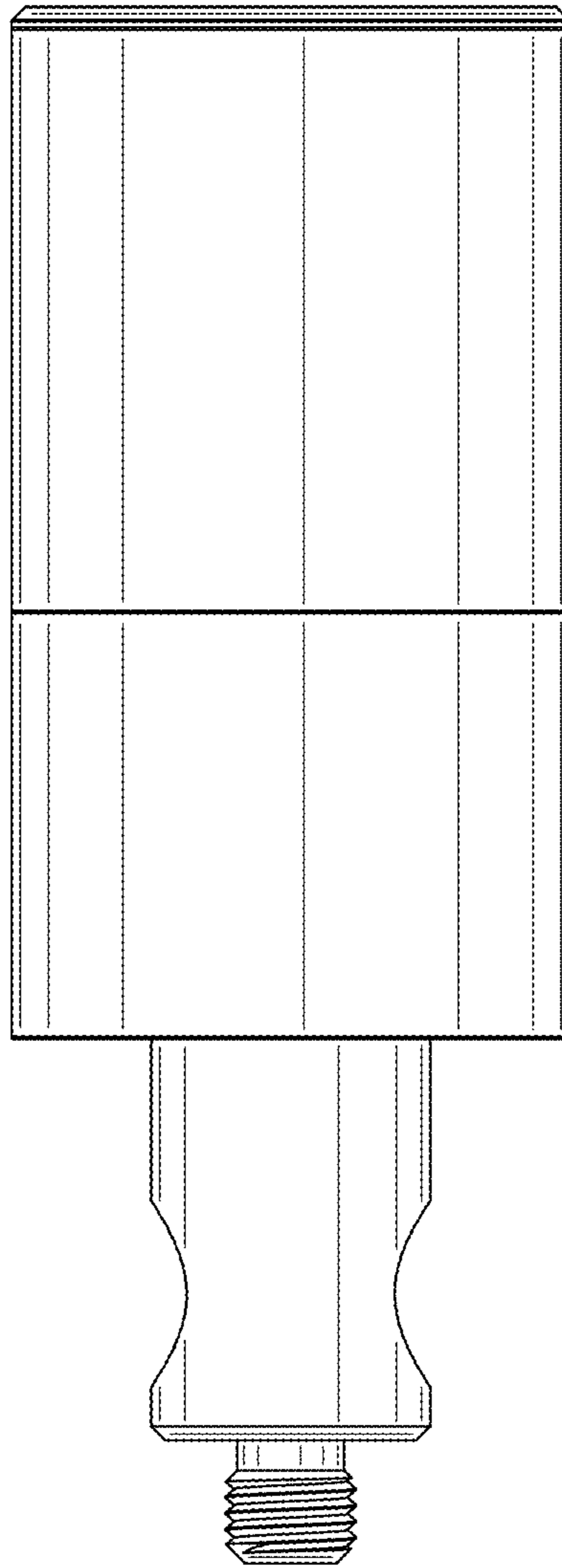


FIG. 2

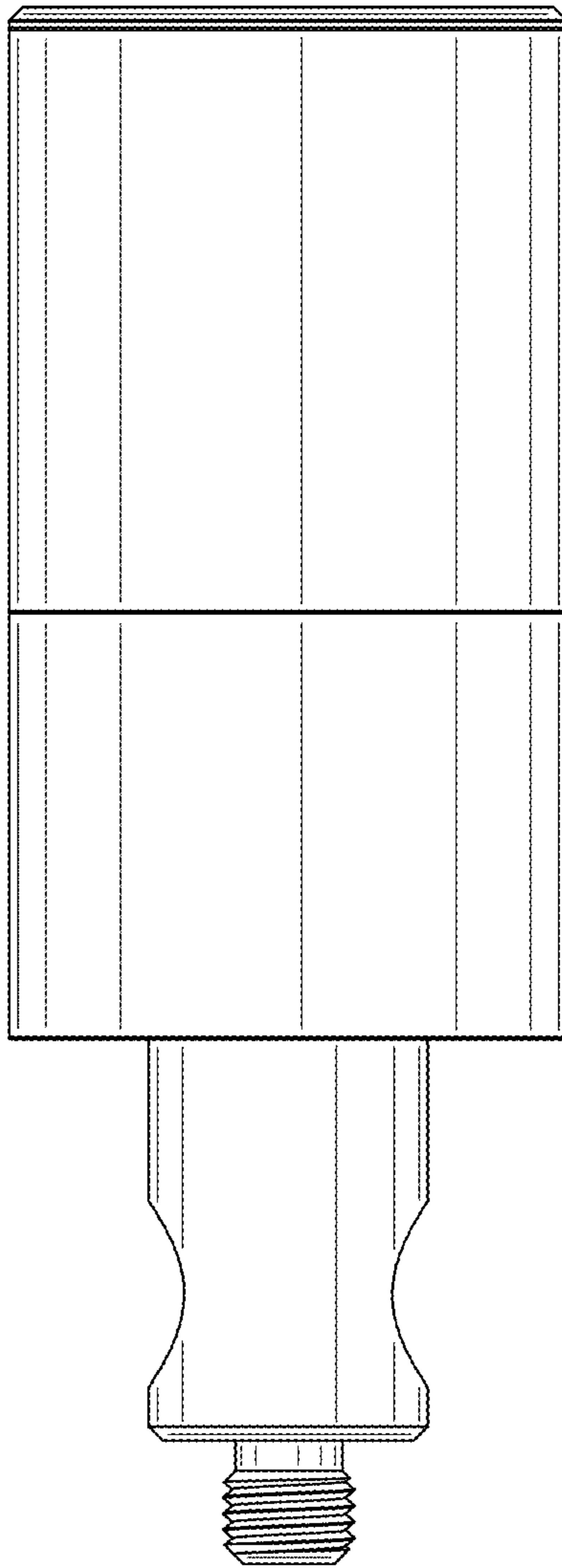


FIG. 3

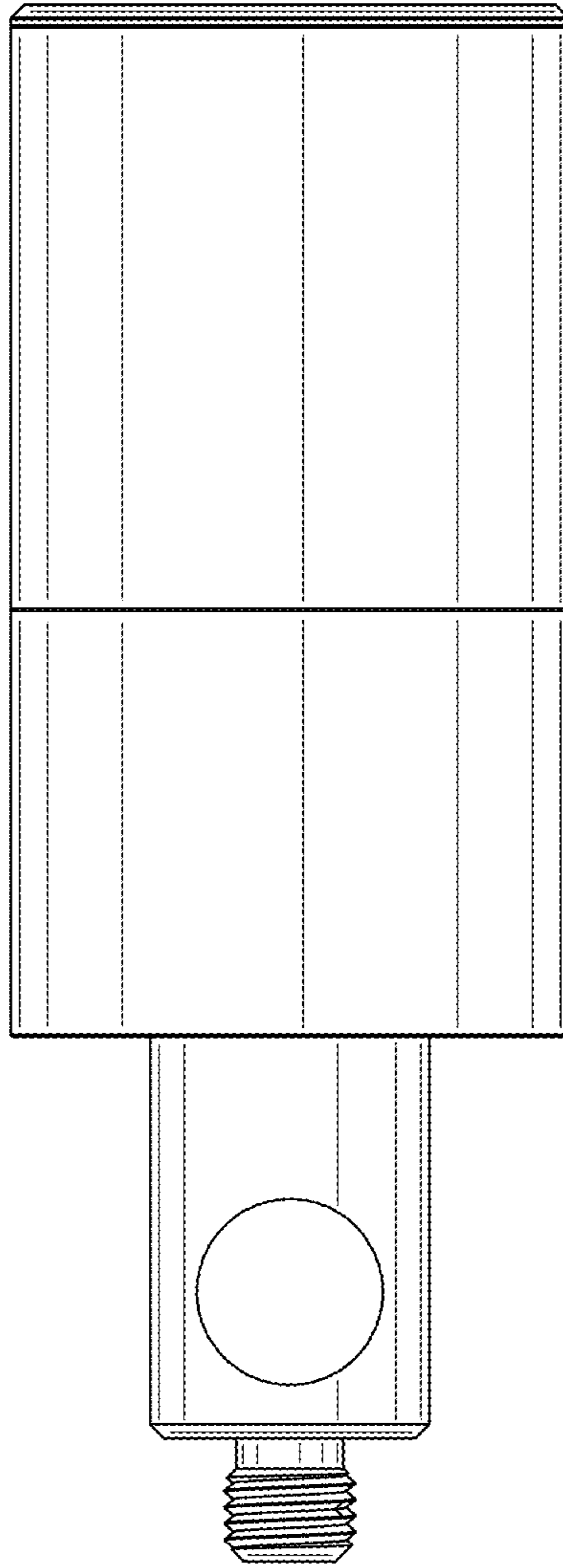


FIG. 4

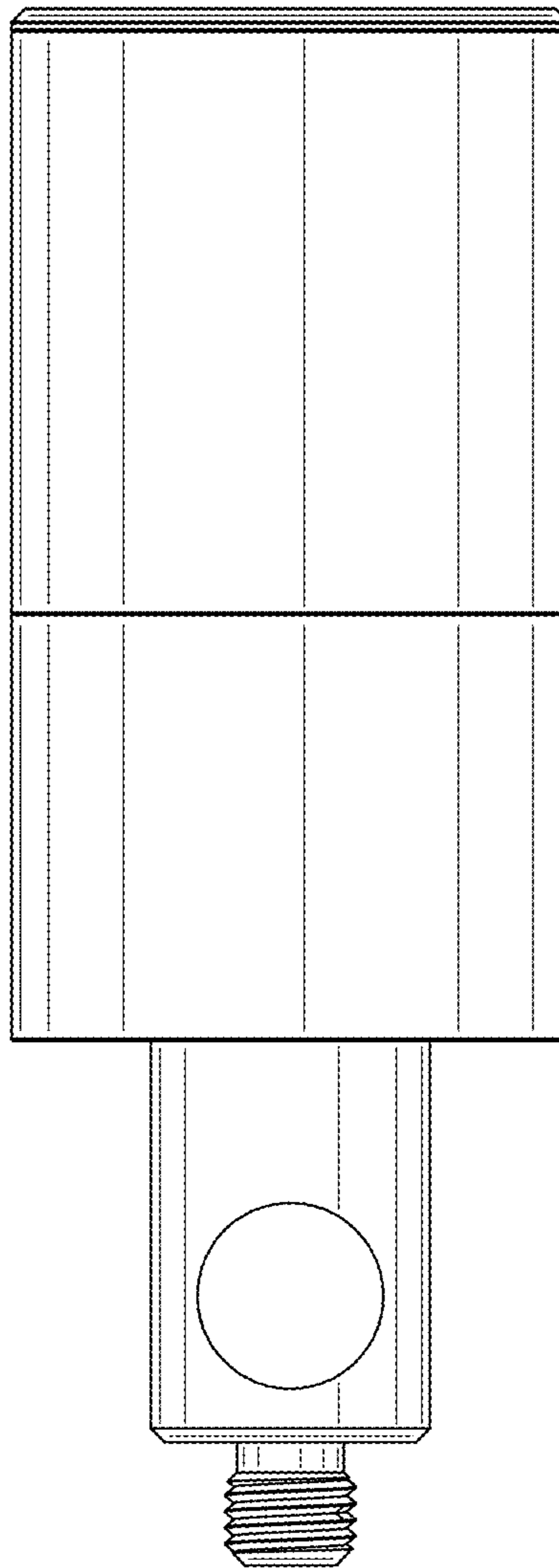


FIG. 5

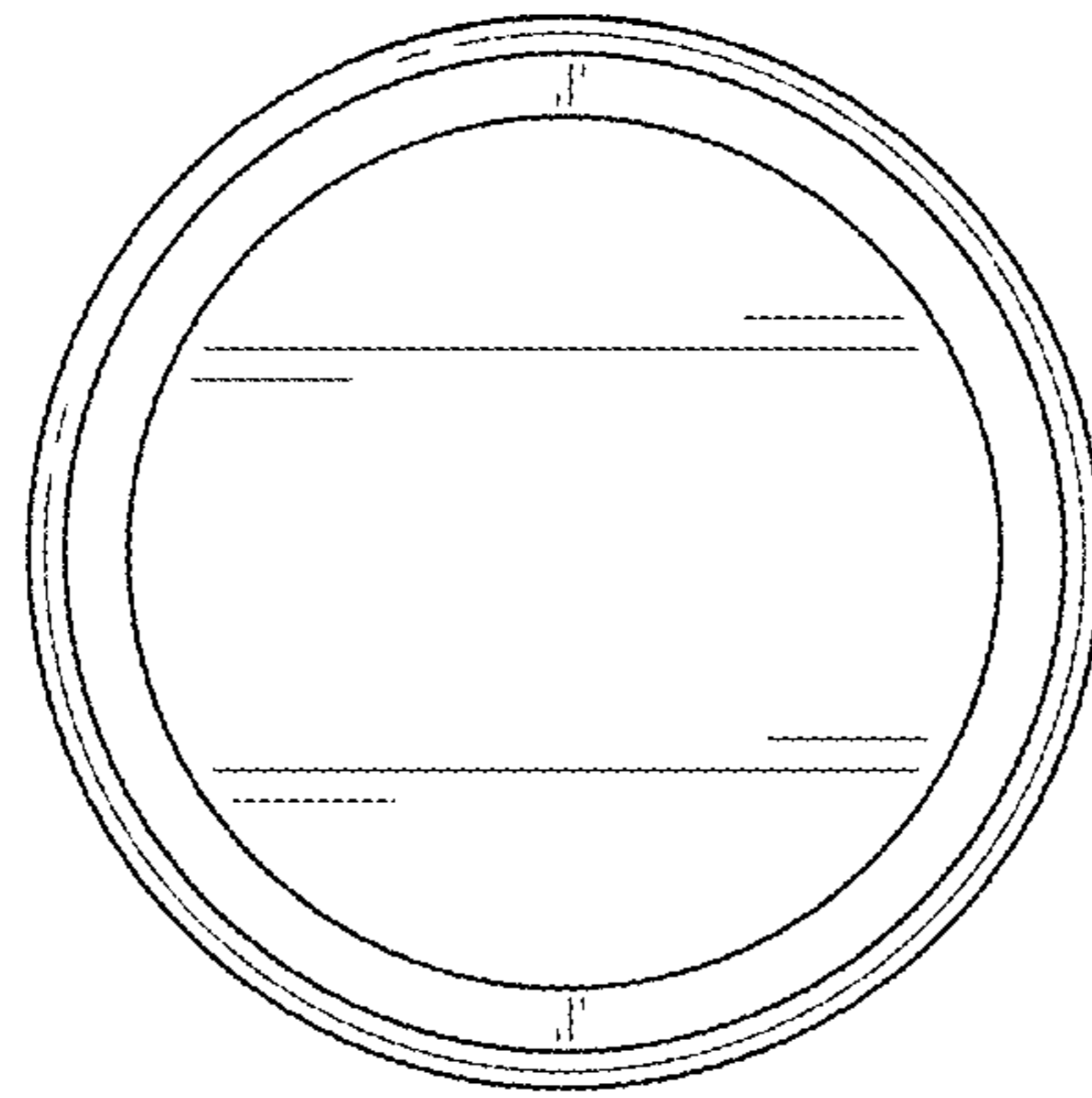


FIG. 6

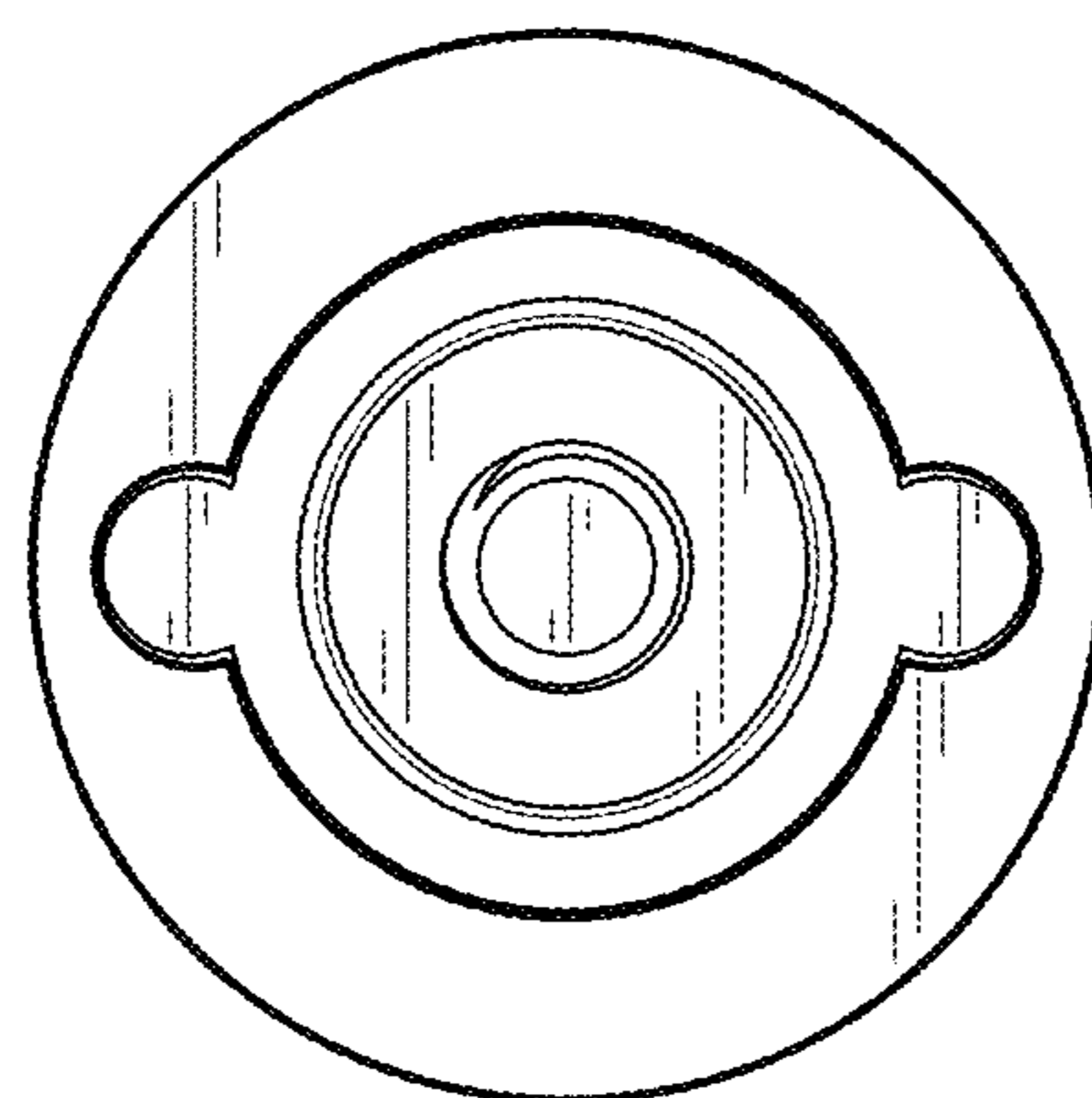


FIG. 7