



US00D821640S

(12) **United States Design Patent**
Qiu

(10) **Patent No.:** **US D821,640 S**
(45) **Date of Patent:** **** Jun. 26, 2018**

- (54) **ELECTRONIC CIGARETTE**
- (71) Applicant: **Changzhou Patent Electronic Technology Co., LTD**, Changzhou, Jiangsu (CN)
- (72) Inventor: **Weihua Qiu**, Jiangsu (CN)
- (73) Assignee: **CHANGZHOU PATENT ELECTRONIC TECHNOLOGY CO., LTD**, Changzhou, Jiangsu (CN)
- (**) Term: **15 Years**
- (21) Appl. No.: **29/600,763**
- (22) Filed: **Apr. 14, 2017**
- (30) **Foreign Application Priority Data**
Dec. 6, 2016 (CN) 2016 3 0594124
- (51) **LOC (11) Cl.** **27-02**
- (52) **U.S. Cl.**
USPC **D27/162**
- (58) **Field of Classification Search**
USPC D27/100, 101, 106, 108, 161, 162, 163, D27/165-172, 174, 175, 183, 186-190, D27/193, 194, 195, 131, 141, 142, 152, D27/153, 160; D24/110; 131/273, 274, 131/191, 330, 329, 328; 128/202.21, 128/203.12; D9/516, 522, 523, 572
CPC A24F 47/002; A24F 47/004; A24F 47/006; A24F 47/008; A61M 15/06
See application file for complete search history.

- D769,520 S * 10/2016 Hua D27/167
- D770,678 S * 11/2016 Shin D27/163
- D772,477 S * 11/2016 Shin D27/163
- D778,494 S * 2/2017 Scott D27/189
- D799,111 S * 10/2017 Qiu D27/101
- D799,744 S * 10/2017 Qiu D27/101
- D801,507 S * 10/2017 Kelnhofer D23/366
- D801,581 S * 10/2017 Scott D27/189
- D808,073 S * 1/2018 Leidel D27/162

* cited by examiner

Primary Examiner — Susan Bennett Hattan

Assistant Examiner — Rebecca Tsehaye

(74) *Attorney, Agent, or Firm* — Novick, Kim & Lee, PLLC; Allen Xue

(57) **CLAIM**

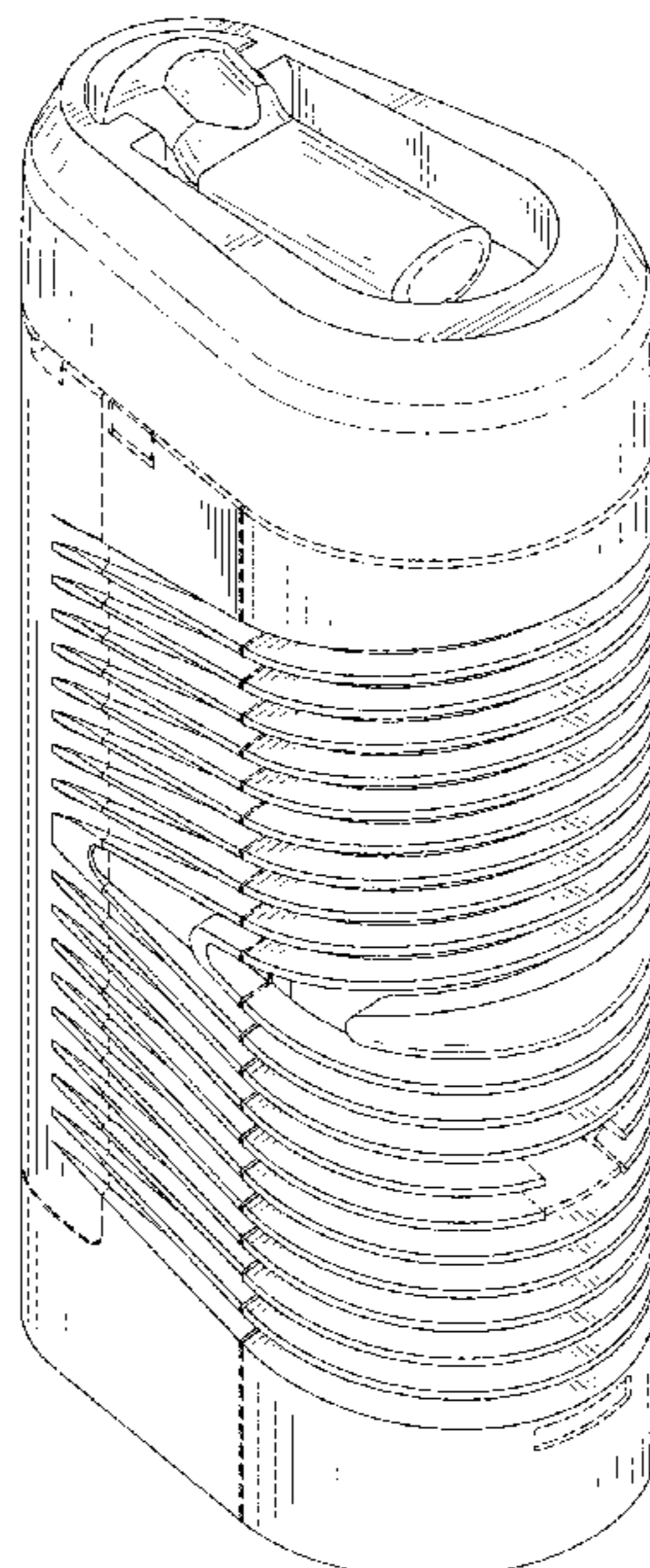
I claim the ornamental design for an electronic cigarette, as shown and described.

DESCRIPTION

FIG. 1 is a top perspective view of an electronic cigarette showing my new design with the mouthpiece off;
 FIG. 2 is a bottom rear left perspective view thereof;
 FIG. 3 is a front elevational view thereof;
 FIG. 4 is a rear elevational view thereof;
 FIG. 5 is a left side elevational view thereof;
 FIG. 6 is a right side elevational view thereof;
 FIG. 7 is a top plan view thereof;
 FIG. 8 is a bottom plan view thereof; and,
 FIG. 9 is another top front right perspective view thereof with a mouthpiece in a position of use.
 The broken lines show unclaimed portions of the design and form no part of the claimed design.

1 Claim, 9 Drawing Sheets

- (56) **References Cited**
U.S. PATENT DOCUMENTS
D738,489 S * 9/2015 Formica D24/110
D768,331 S * 10/2016 Chen D27/101



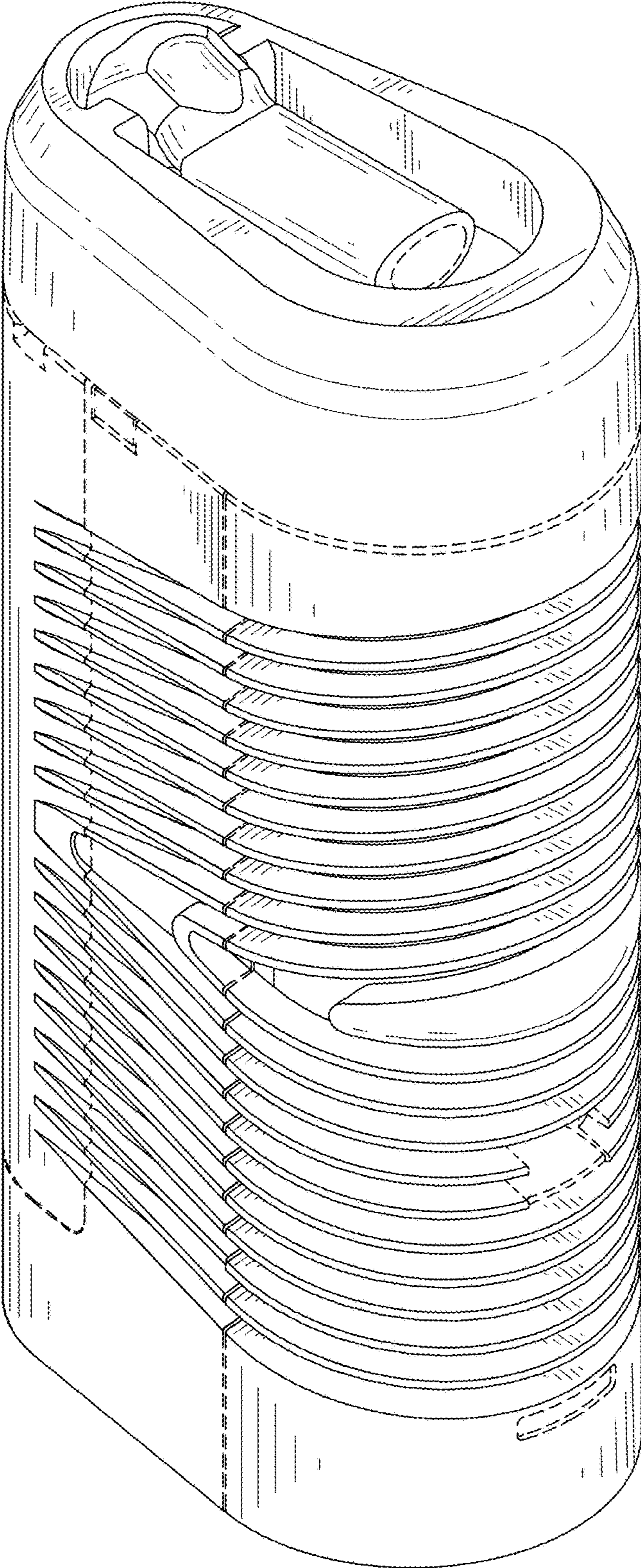


FIG. 1

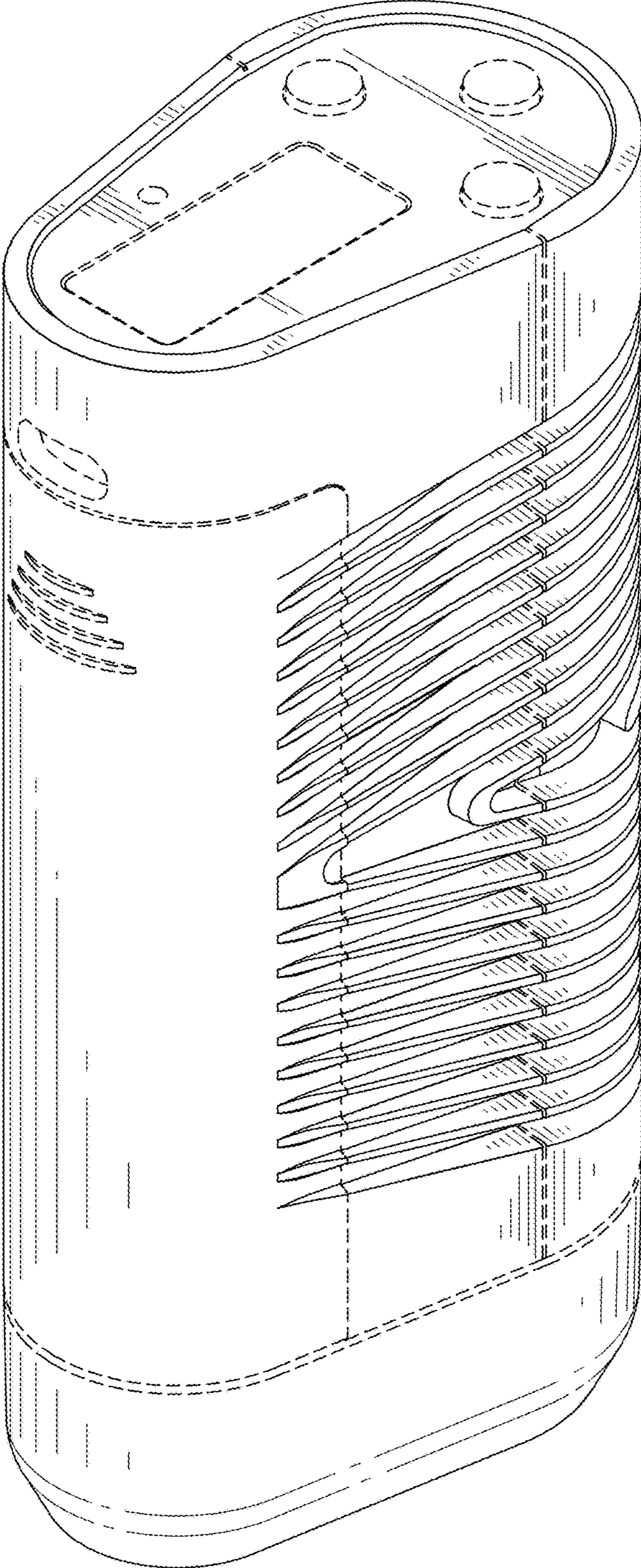


FIG. 2

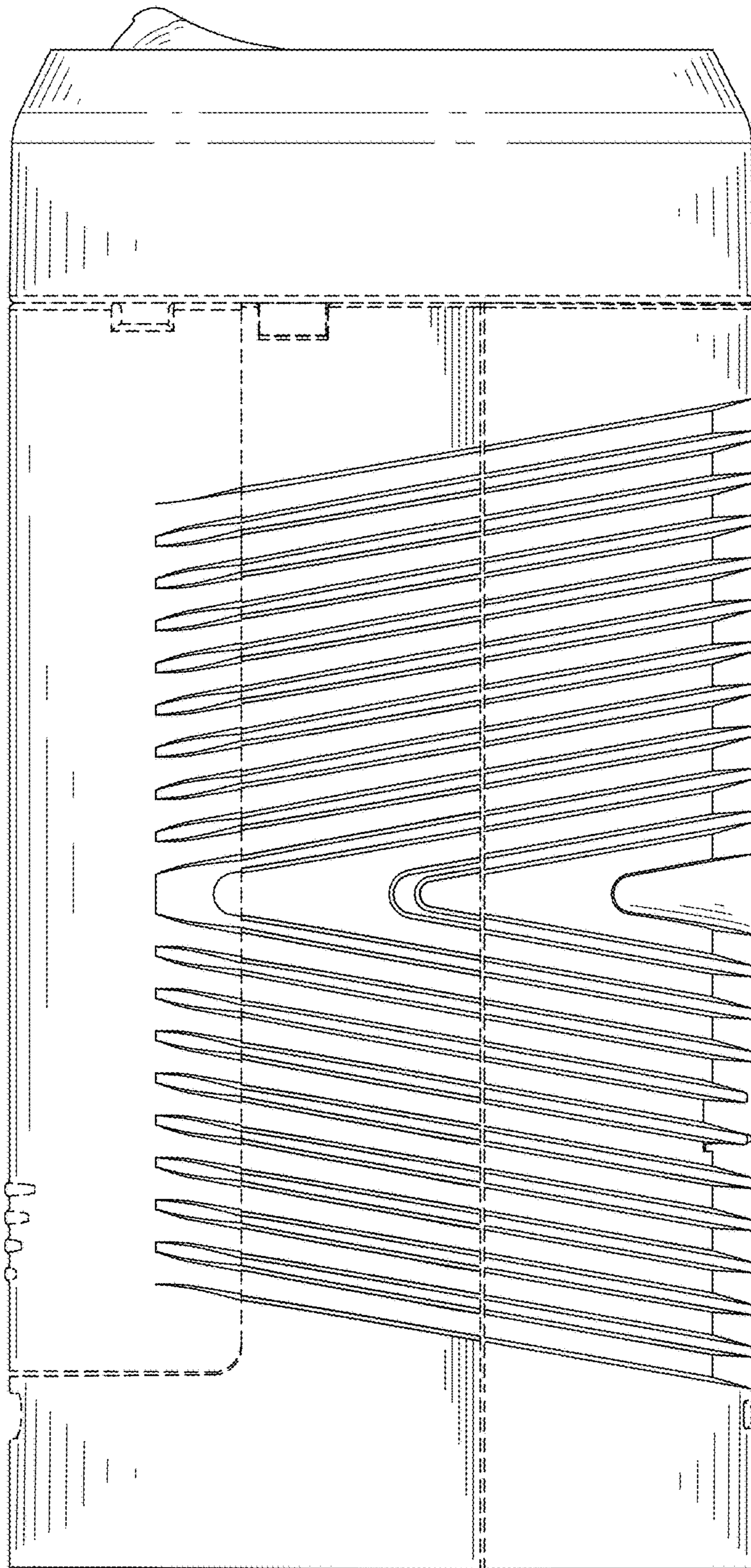


FIG. 3

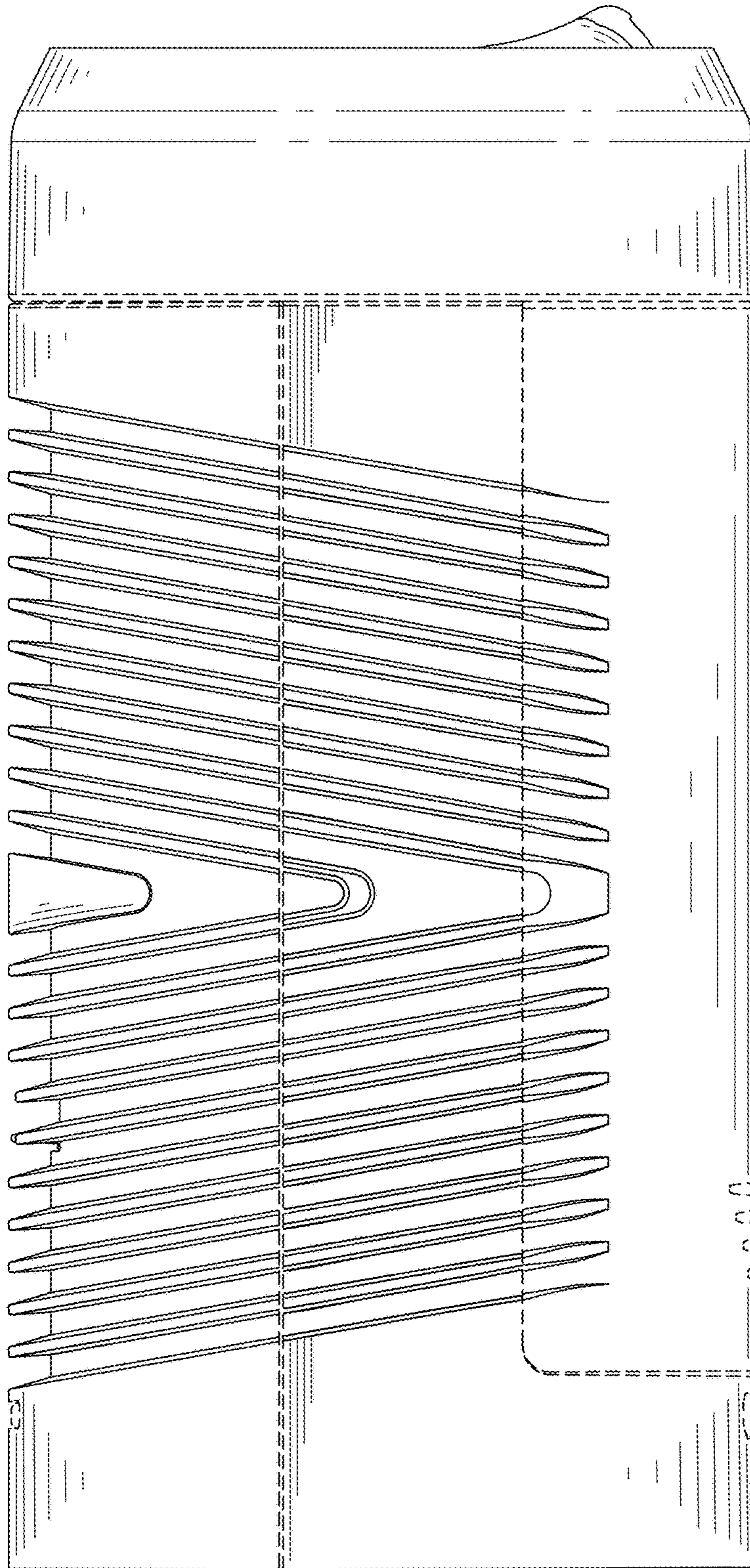


FIG. 4

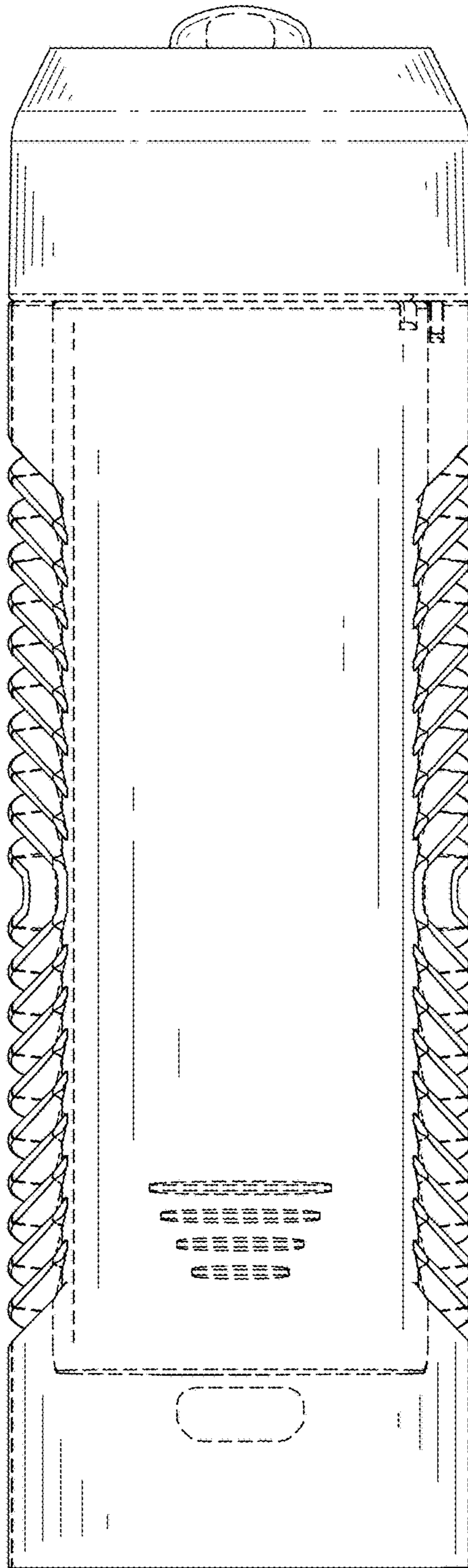


FIG. 5

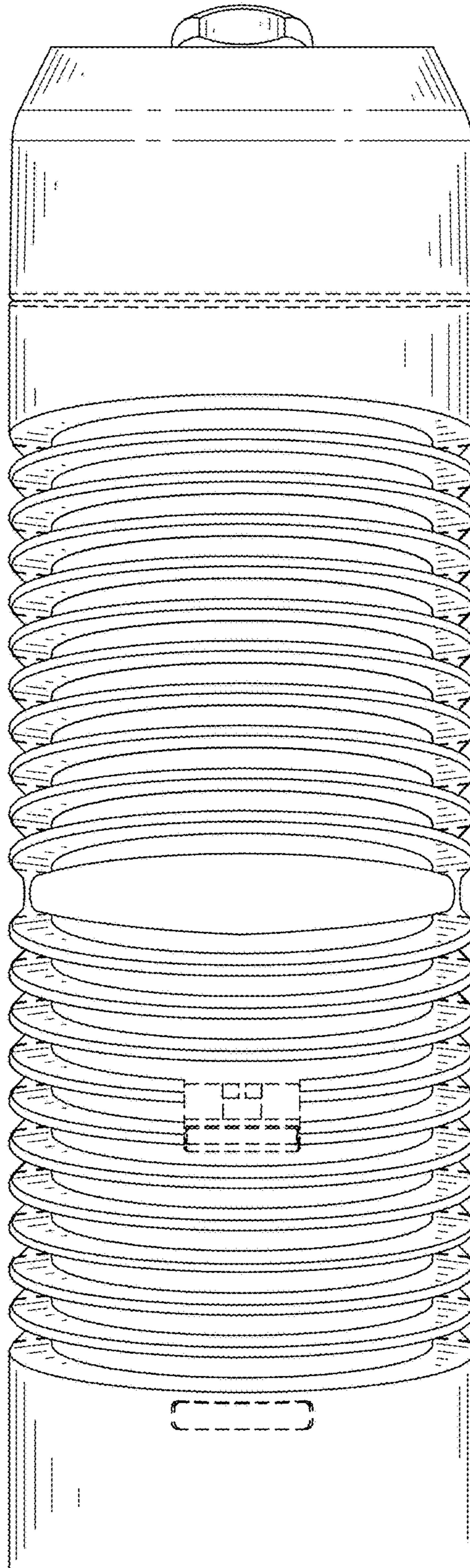


FIG. 6

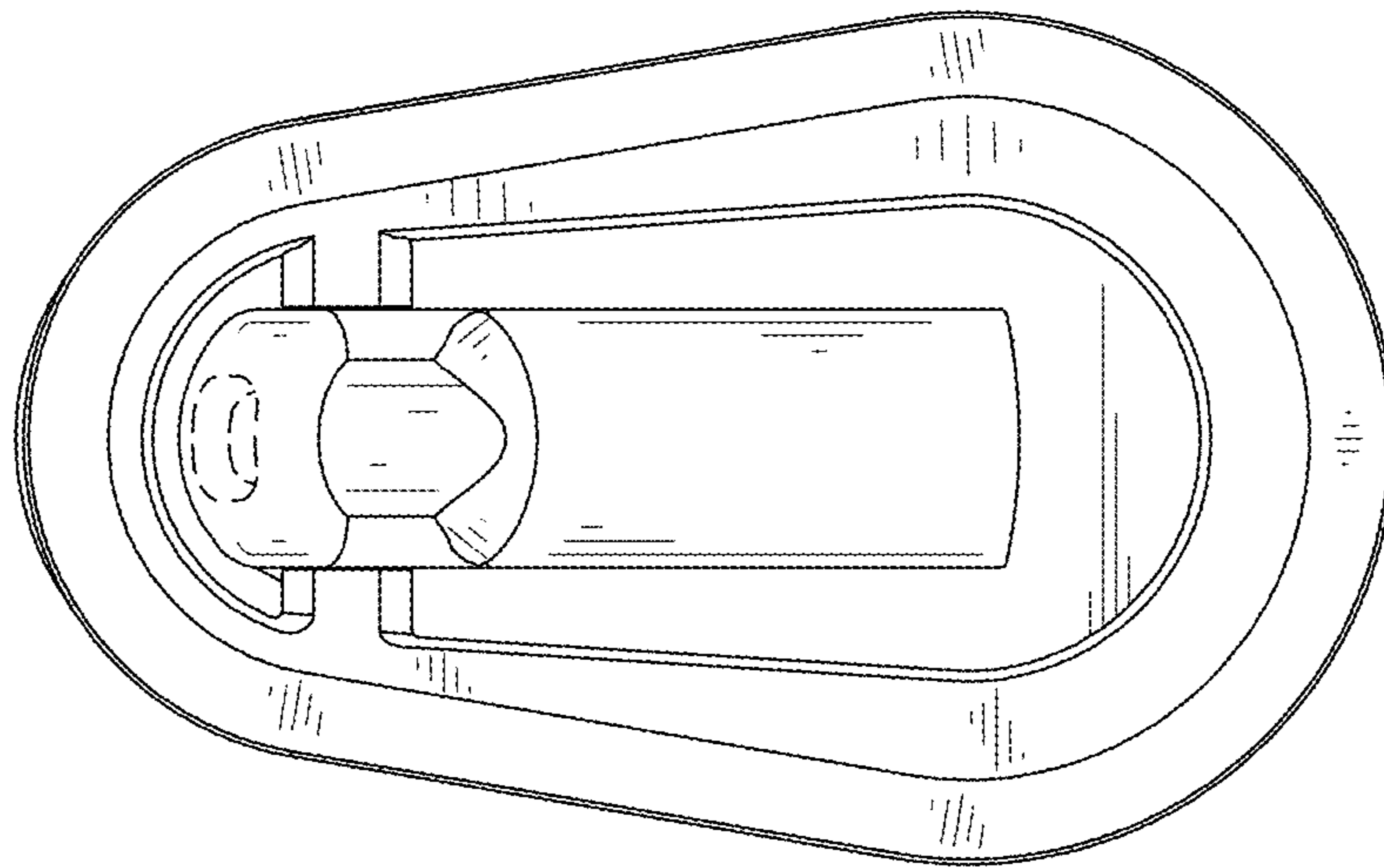


FIG. 7

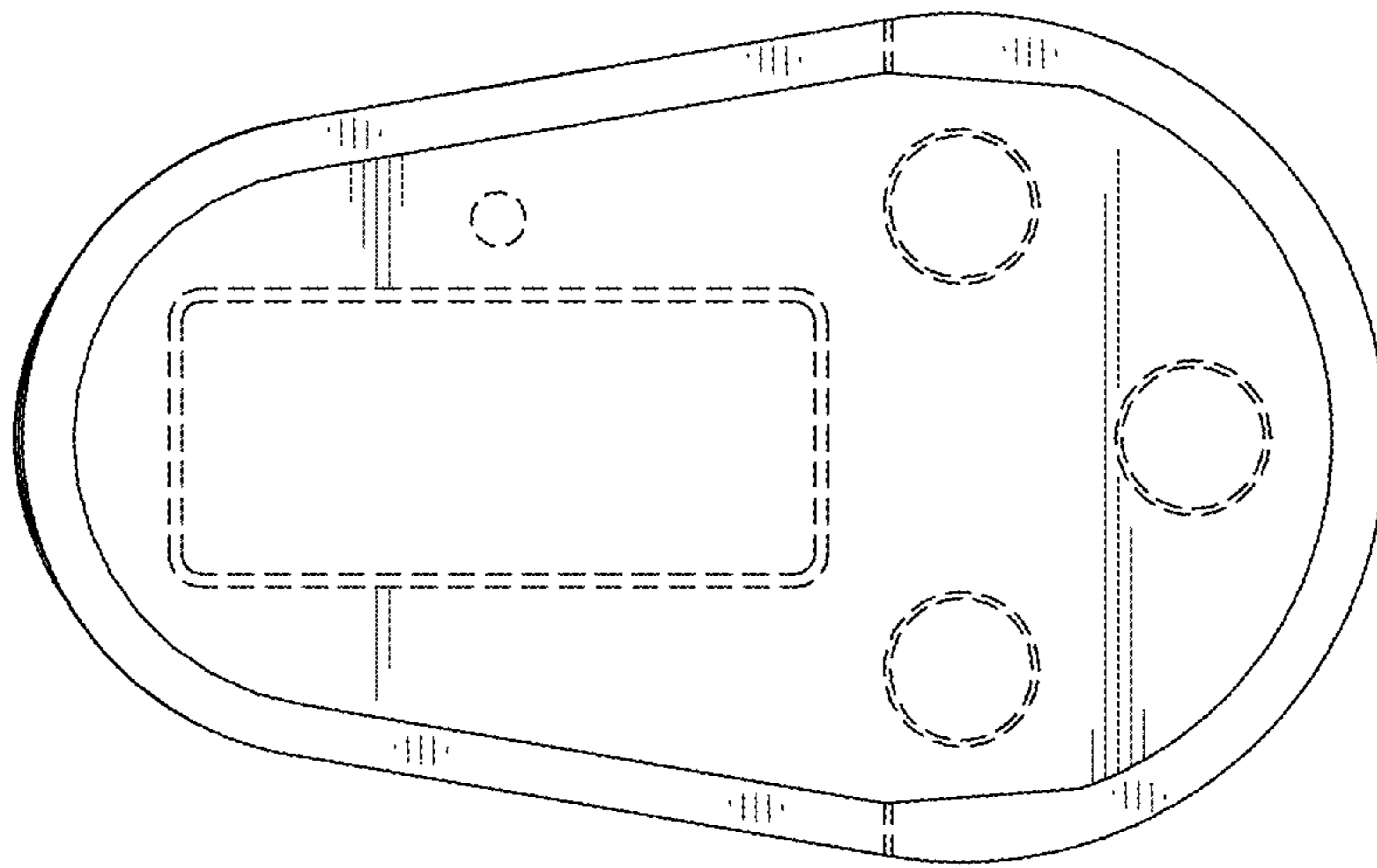


FIG. 8

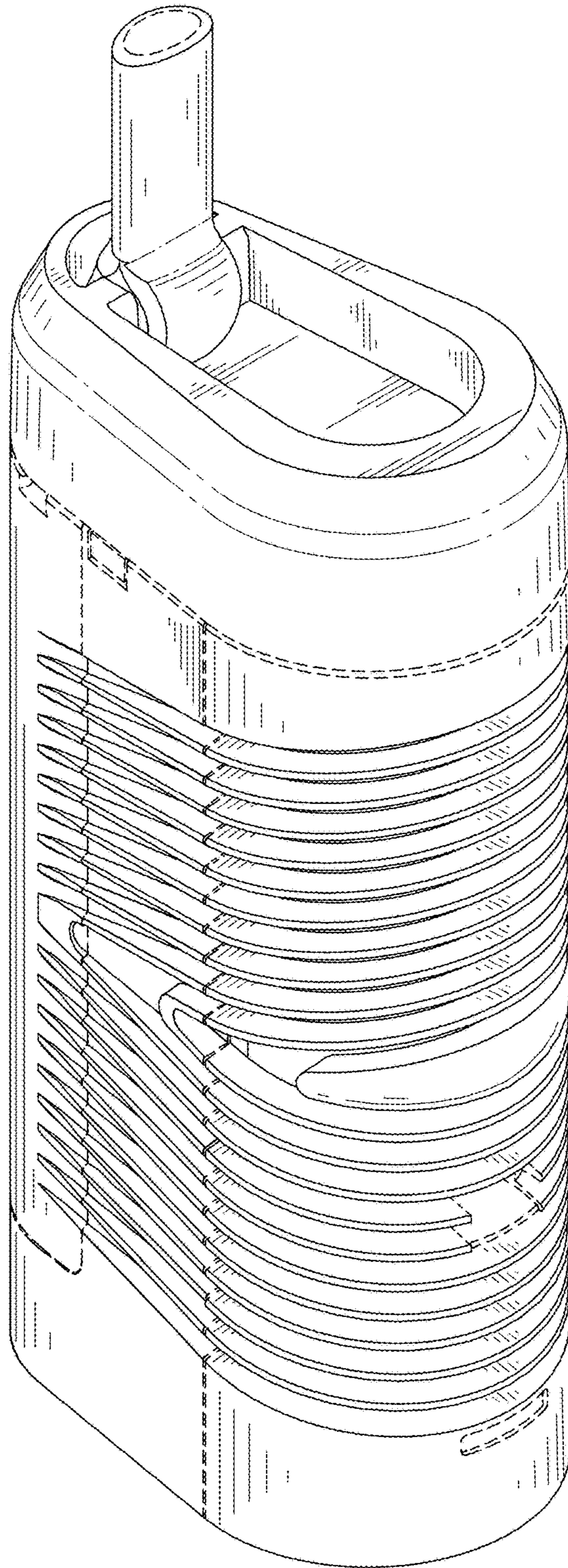


FIG. 9