



US00D821635S

(12) **United States Design Patent**
Wu

(10) **Patent No.:** **US D821,635 S**
(45) **Date of Patent:** **** Jun. 26, 2018**

(54) **VEHICLE LIGHT**

(71) Applicant: **COPLUS INC.**, Tainan (TW)

(72) Inventor: **Po-Hua Wu**, Tainan (TW)

(73) Assignee: **Coplus Inc.**, Tainan (TW)

(**) Term: **15 Years**

(21) Appl. No.: **29/584,718**

(22) Filed: **Nov. 16, 2016**

(30) **Foreign Application Priority Data**

May 24, 2016 (TW) 105302917

(51) **LOC (11) Cl.** **26-99**

(52) **U.S. Cl.**
USPC **D26/122**

(58) **Field of Classification Search**

USPC D26/1, 24, 28-36, 61-65, 118-124
CPC F21V 21/14; F21V 15/01; F21V 14/02;
F21V 21/30; F21V 21/00; F21V 14/00;
F21S 18/00; F21S 8/003; F21S 8/043;
G02B 7/022

See application file for complete search history.

(56) **References Cited**

U.S. PATENT DOCUMENTS

5,680,260 A * 10/1997 Farcella G02B 7/022
359/818
D769,491 S * 10/2016 Lai D26/28

D770,652 S * 11/2016 Lai D26/28
D771,286 S * 11/2016 Tsai D26/28
D772,447 S * 11/2016 Lin D26/28
D779,692 S * 2/2017 del Rosario D26/28
D786,461 S * 5/2017 Zhang D26/28
D788,335 S * 5/2017 Tsai D26/28
D796,095 S * 8/2017 Huang D26/28
D798,475 S * 9/2017 Georgitsis D26/28
D800,933 S * 10/2017 Chiu D26/28

* cited by examiner

Primary Examiner — Brian N. Vinson

(74) *Attorney, Agent, or Firm* — Lewis Roca Rothgerber
Christie LLP

(57) **CLAIM**

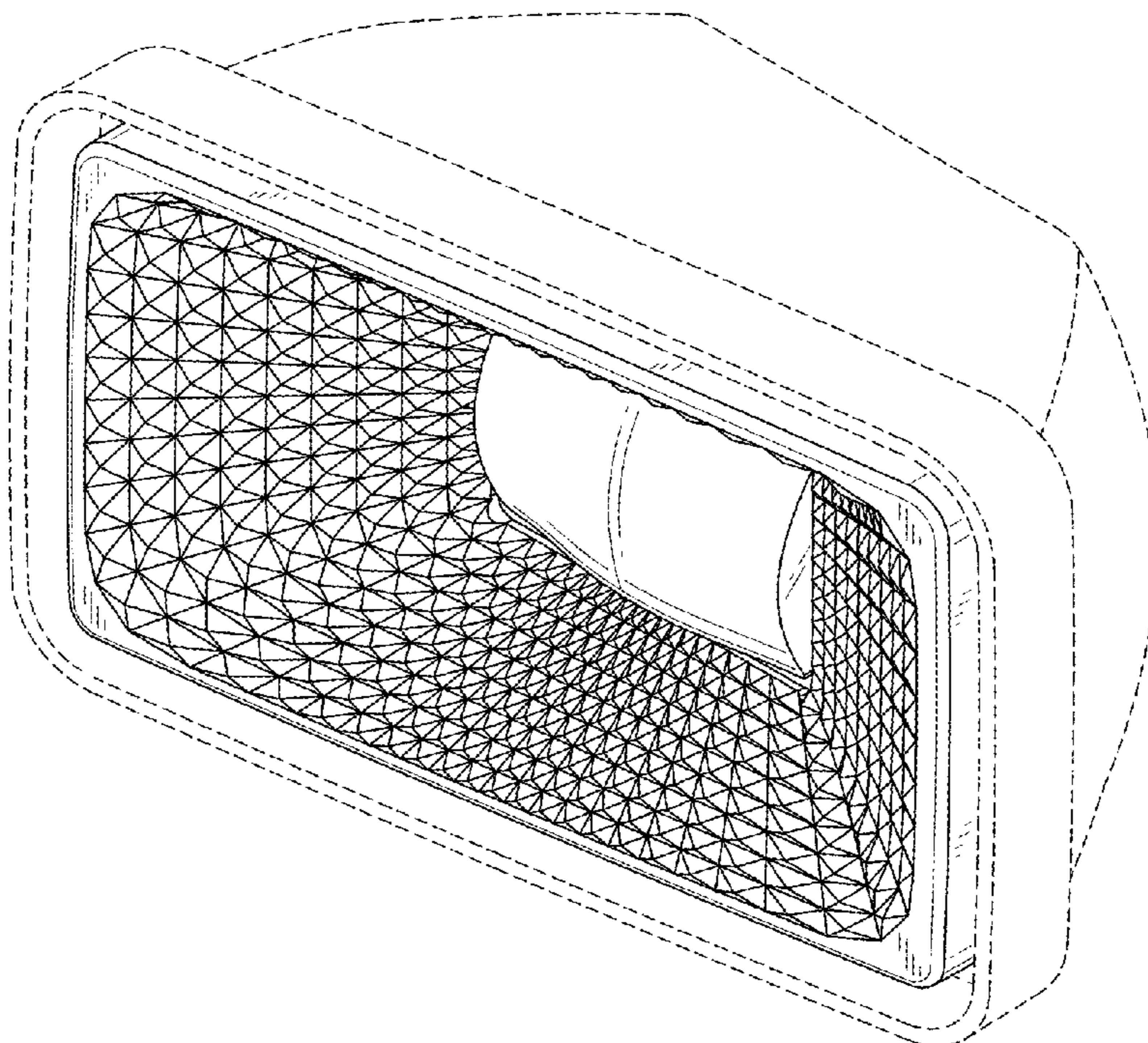
The ornamental design for a vehicle light, as shown and described.

DESCRIPTION

FIG. 1 is a front perspective view of the vehicle light;
FIG. 2 is a front view thereof;
FIG. 3 is a rear view thereof;
FIG. 4 is a left side view thereof;
FIG. 5 is a right side view thereof;
FIG. 6 is a top view thereof; and,
FIG. 7 is a bottom view thereof.

The broken lines in the drawings are for illustrative purpose only and form no part of the claimed design.

1 Claim, 4 Drawing Sheets



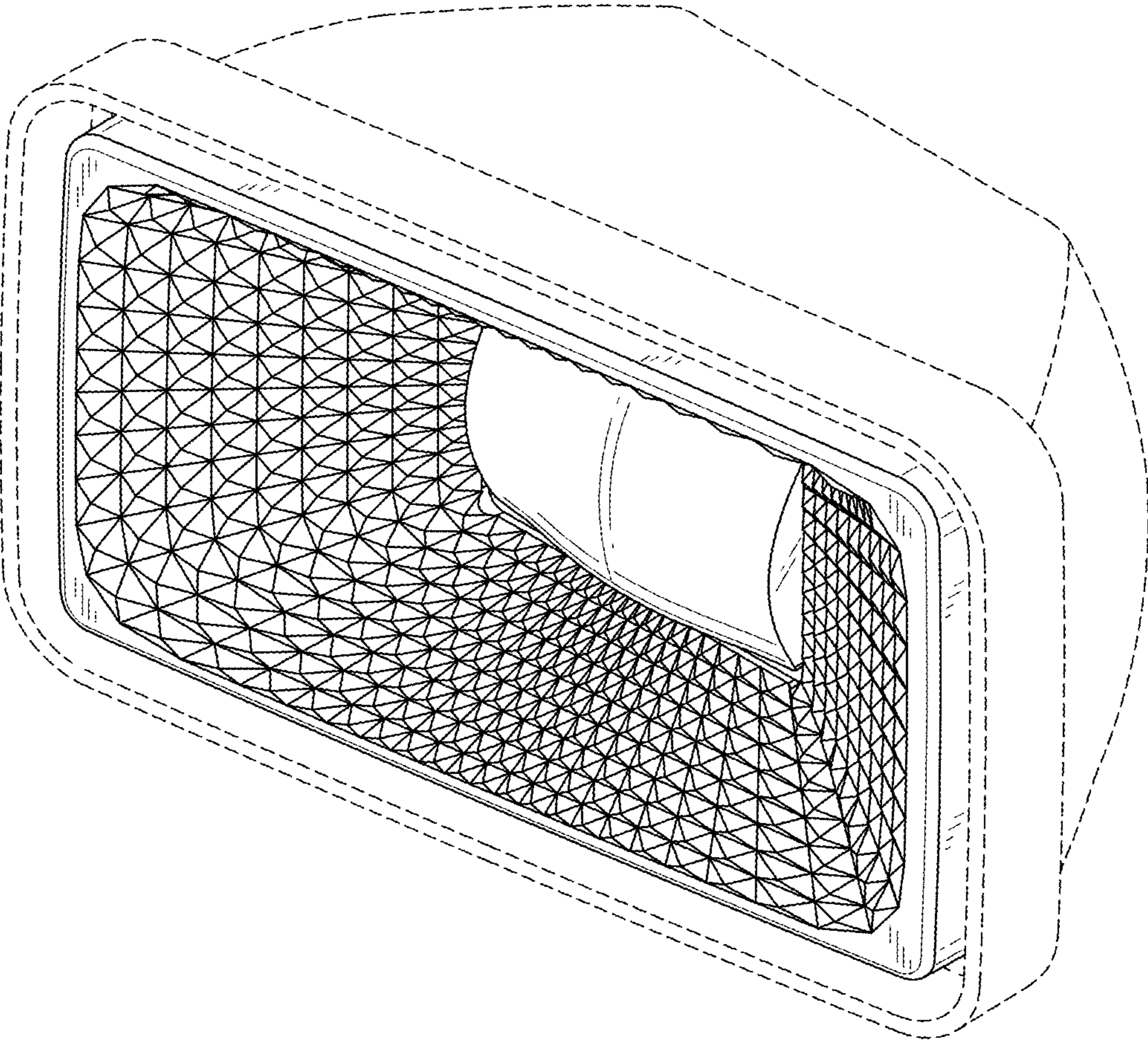


FIG. 1

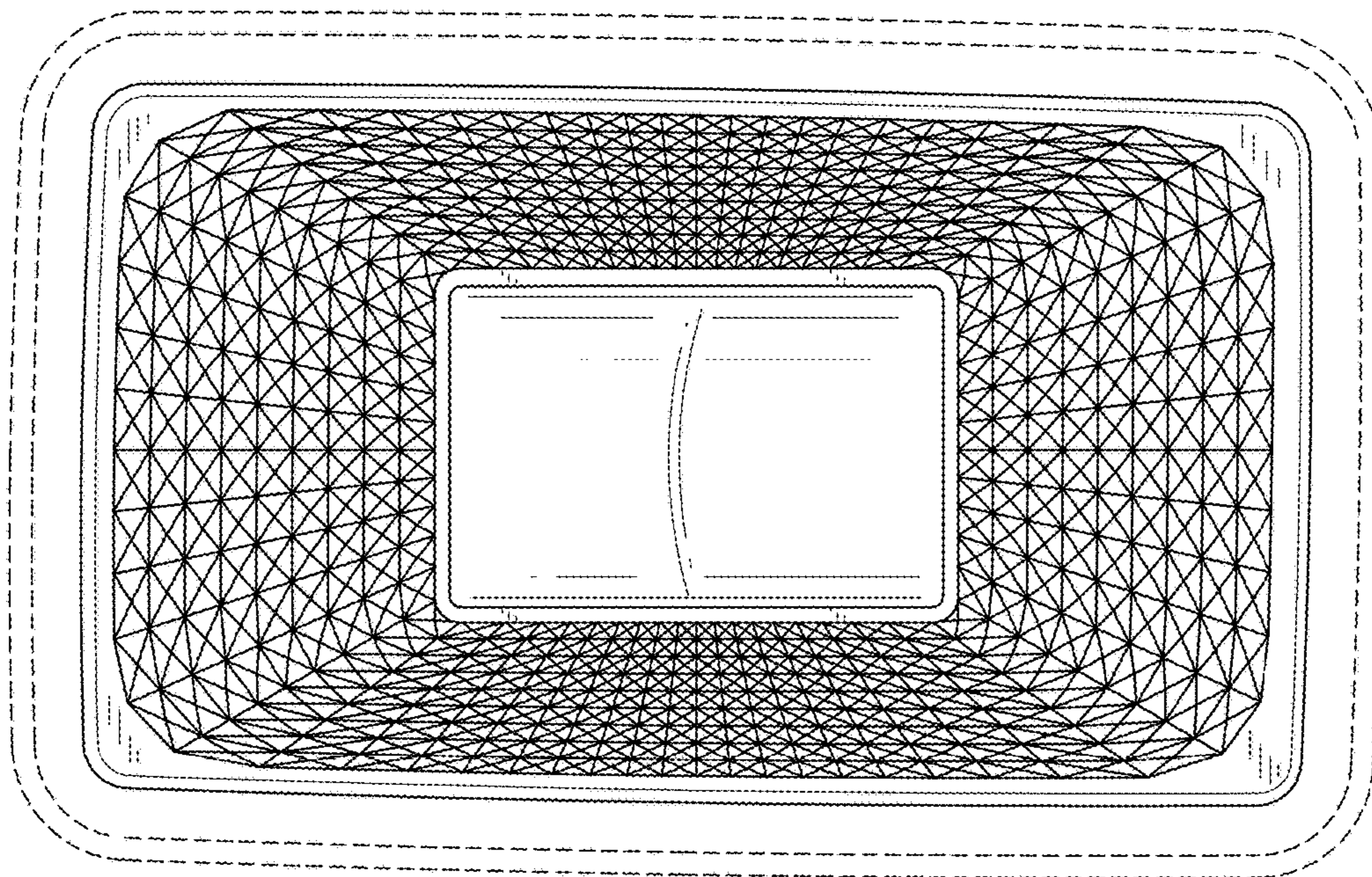


FIG. 2

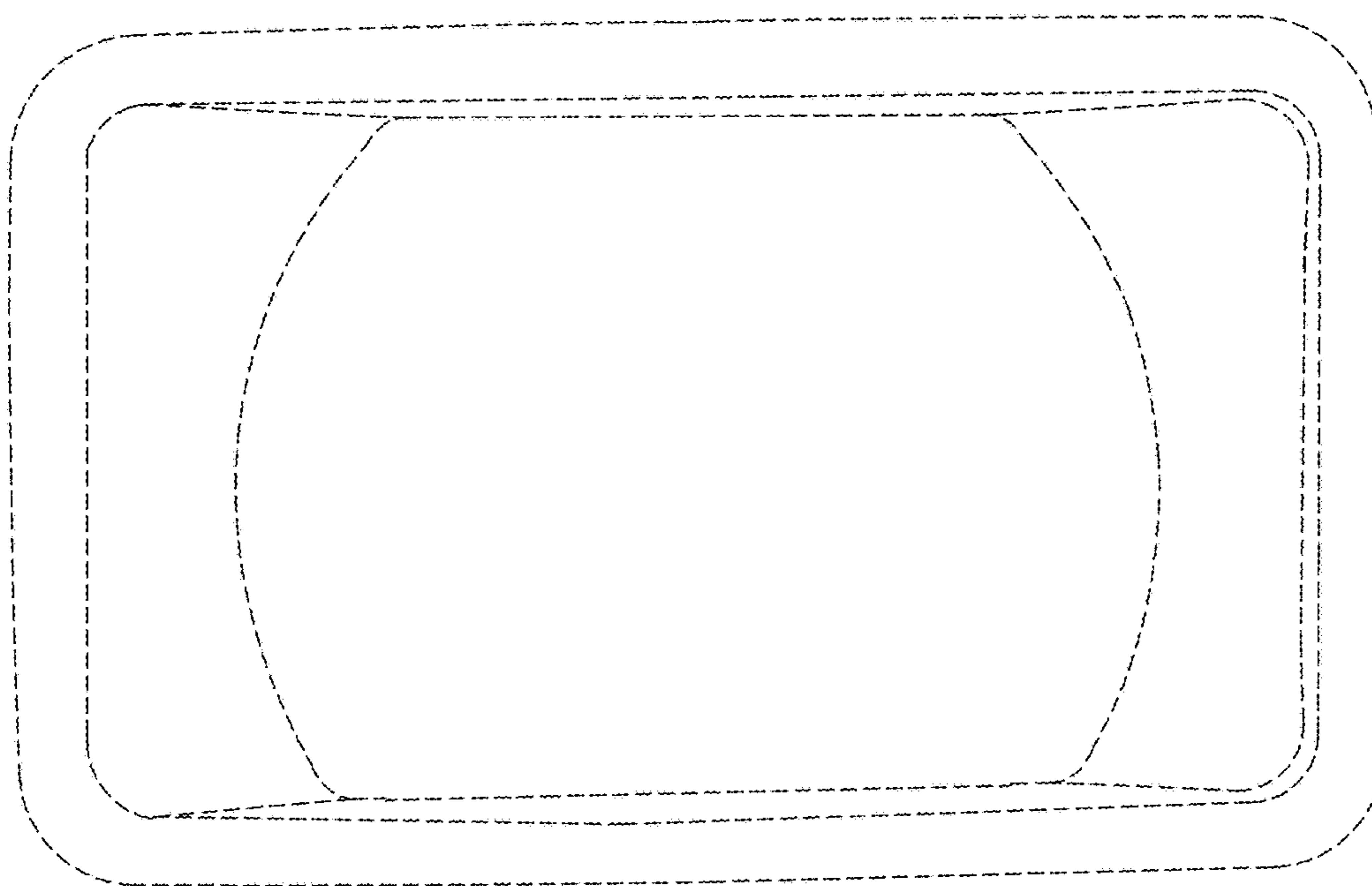


FIG. 3

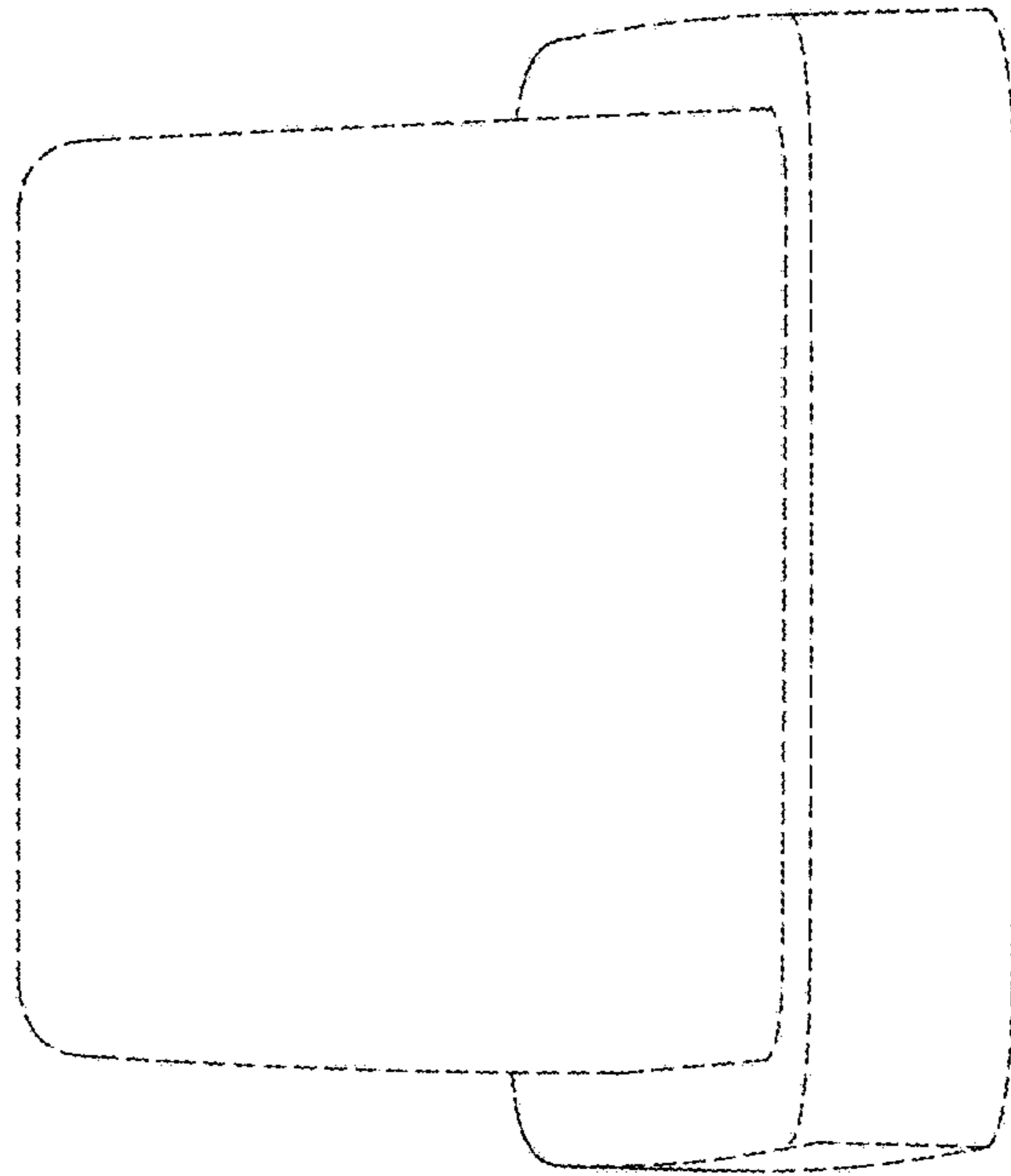


FIG. 4

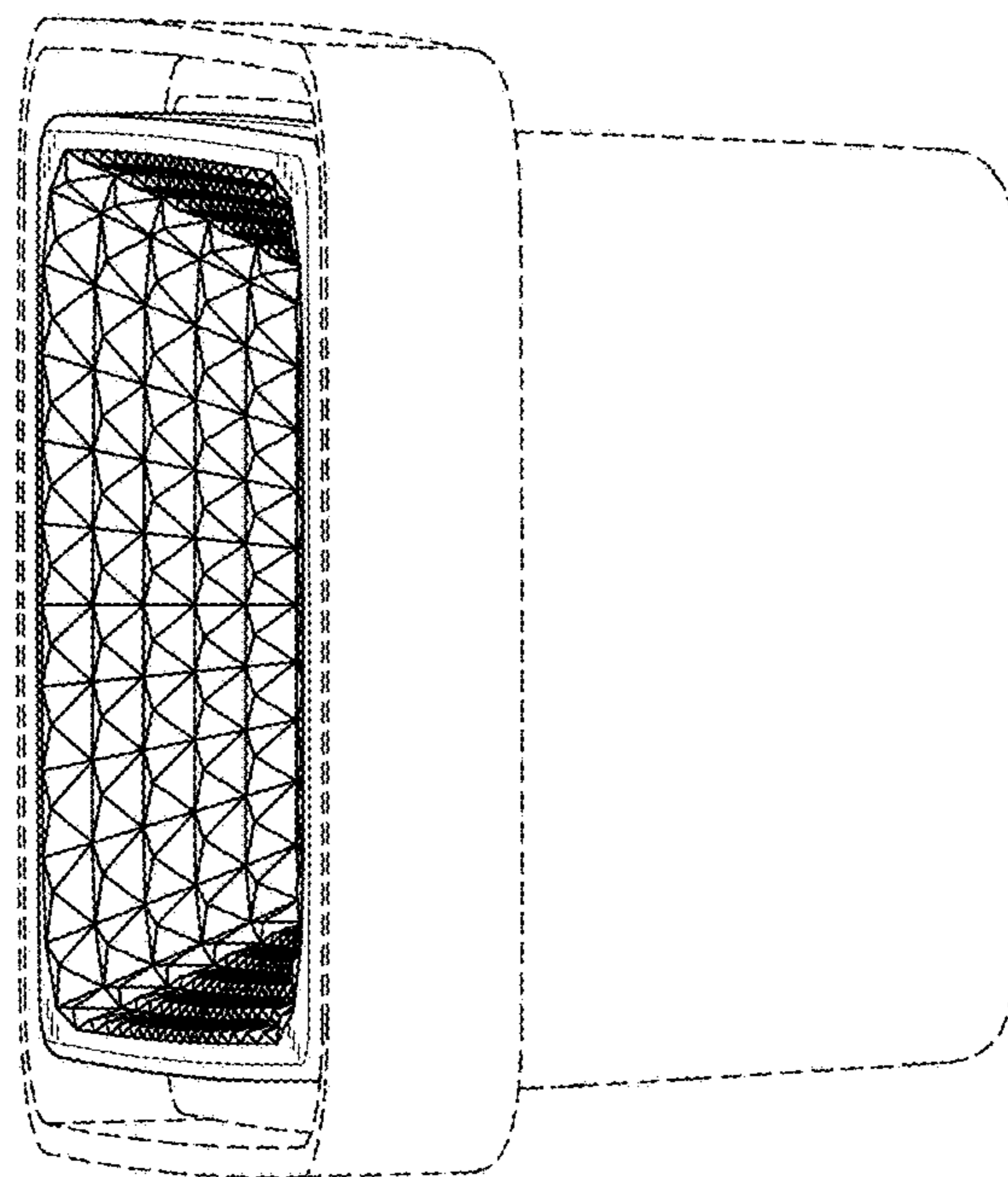


FIG. 5

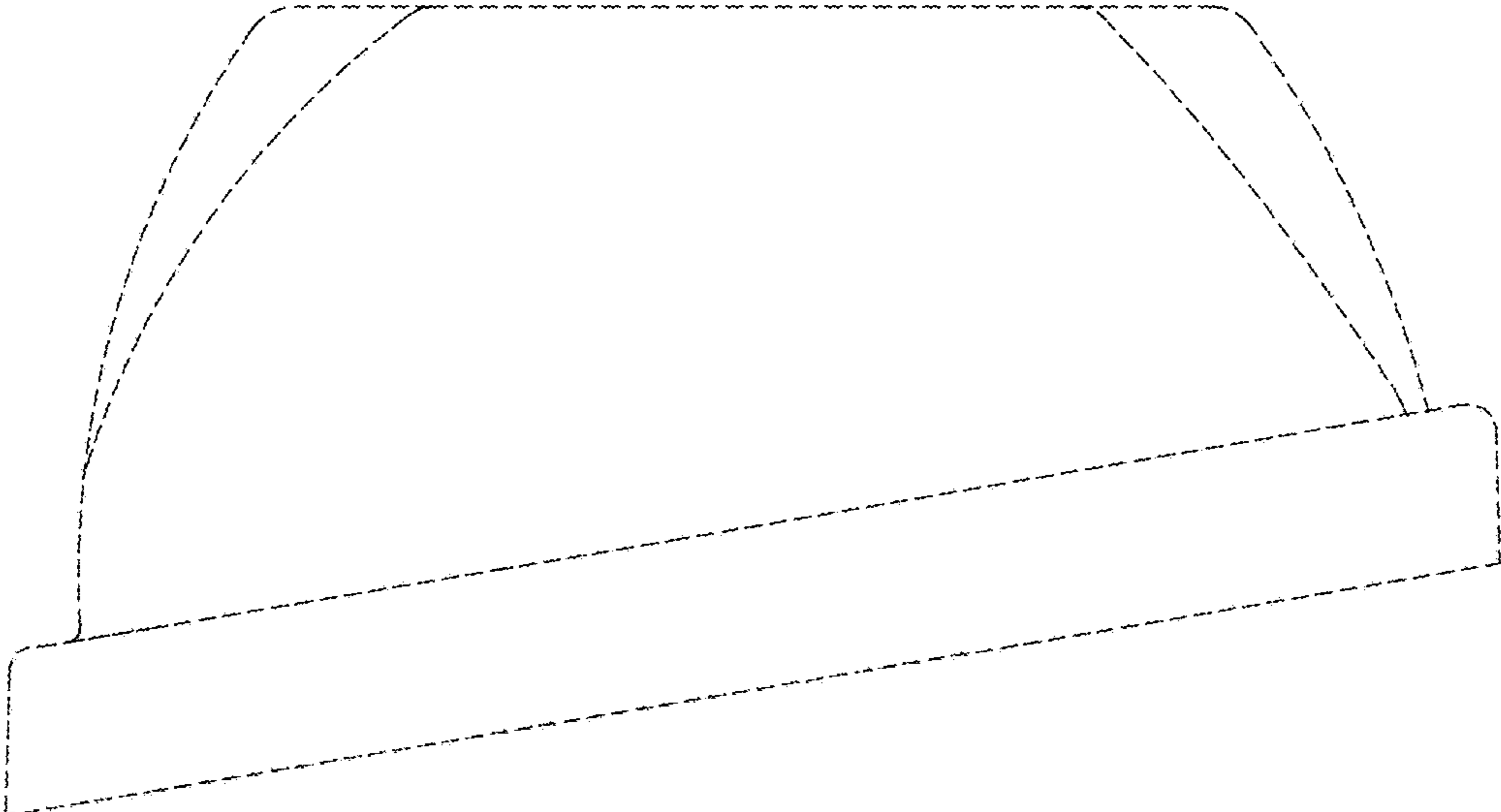


FIG. 6

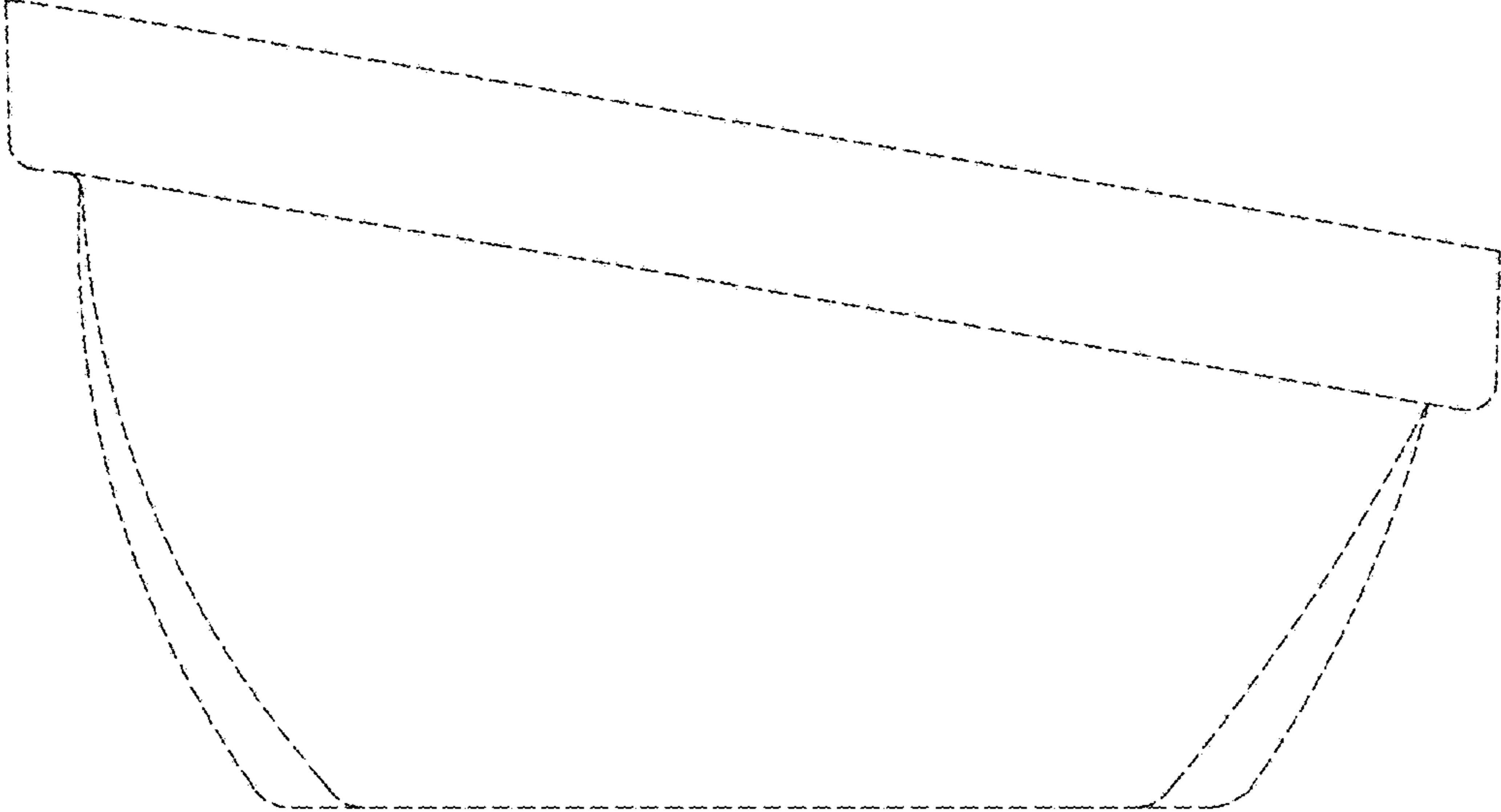


FIG. 7