

US00D821634S

(12) **United States Design Patent** (10) **Patent No.:** **US D821,634 S**
Wu (45) **Date of Patent:** **** Jun. 26, 2018**

(54) **VEHICLE LIGHT**
(71) Applicant: **COPLUS INC.**, Tainan (TW)
(72) Inventor: **Po-Hua Wu**, Tainan (TW)
(73) Assignee: **Coplus Inc.**, Tainan (TW)
(**) Term: **15 Years**

D765,287 S * 8/2016 Kosugi D26/28
D769,491 S * 10/2016 Lai D26/28
D770,652 S * 11/2016 Lai D26/28
D779,692 S * 2/2017 del Rosario D26/28
D784,578 S * 4/2017 Giolito D26/28
D788,335 S * 5/2017 Tsai D26/28
D788,958 S * 6/2017 Ko D26/28
D796,095 S * 8/2017 Huang D26/28
D798,475 S * 9/2017 Georgitsis D26/28
D800,933 S * 10/2017 Chiu D26/28

* cited by examiner

(21) Appl. No.: **29/584,727**
(22) Filed: **Nov. 16, 2016**

Primary Examiner — Brian N. Vinson
(74) *Attorney, Agent, or Firm* — Lewis Roca Rothgerber
Christie LLP

(30) **Foreign Application Priority Data**

May 24, 2016 (TW) 105302916
(51) **LOC (11) Cl.** **26-99**
(52) **U.S. Cl.**
USPC **D26/120**

(57) **CLAIM**

The ornamental design for a vehicle light, as shown and described.

(58) **Field of Classification Search**
USPC D26/1, 2, 24, 28–36, 61–65, 118–124
CPC . F21V 21/14; F21V 15/01; F21V 4/02; F21V
21/30; F21V 21/00; F21V 14/00; F21S
8/00; F21S 8/003; F21S 8/043; F21Y
2105/001
See application file for complete search history.

DESCRIPTION

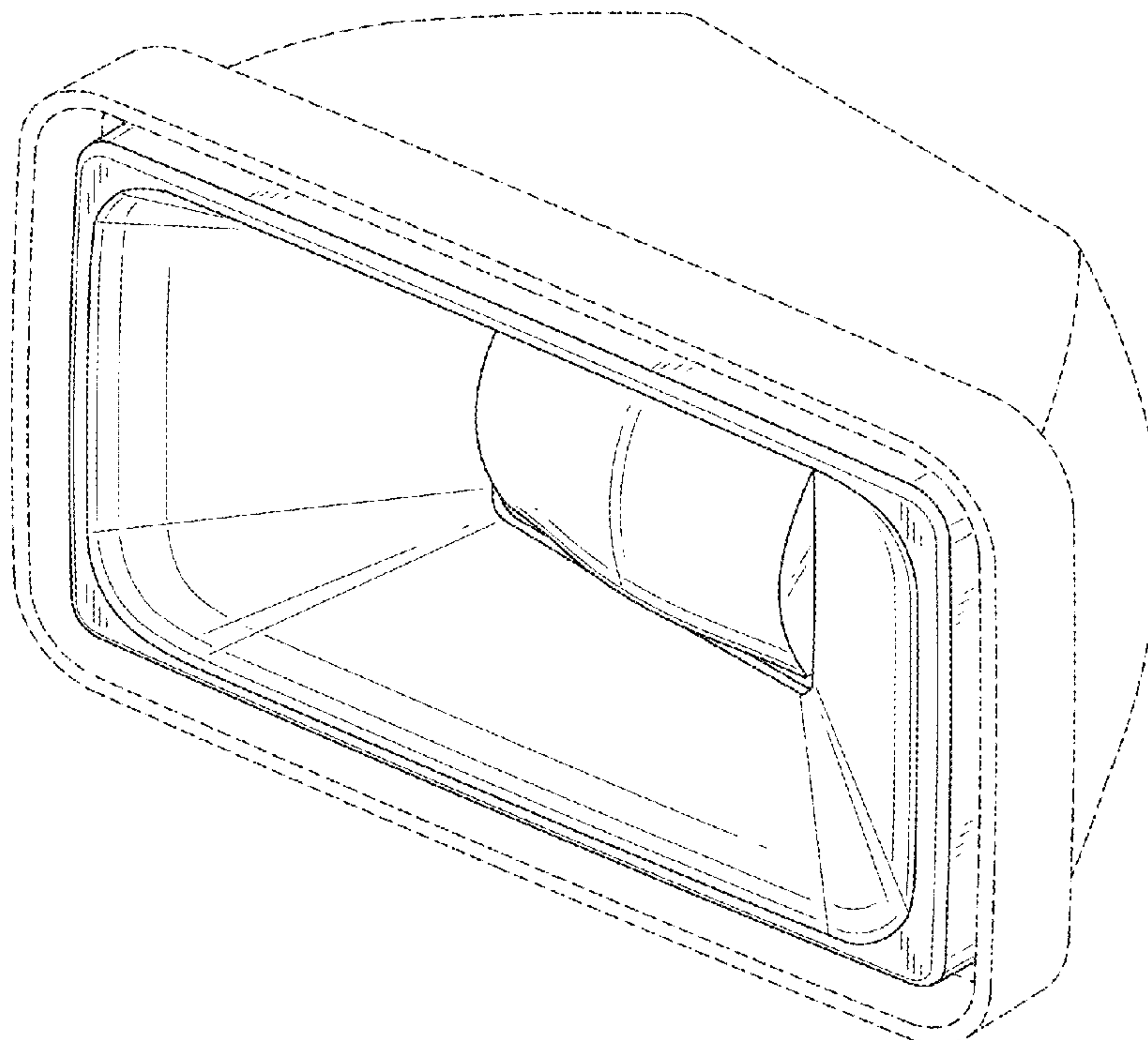
FIG. 1 is a front perspective view of the vehicle light;
FIG. 2 is a front view thereof;
FIG. 3 is a rear view thereof;
FIG. 4 is a left side view thereof;
FIG. 5 is a right side view thereof;
FIG. 6 is a top view thereof; and,
FIG. 7 is a bottom view thereof.
The broken lines in the drawings are for illustrative purpose
only and form no part of the claimed design.

(56) **References Cited**

U.S. PATENT DOCUMENTS

5,680,260 A * 10/1997 Farcella G02B 7/022
359/818
D739,058 S * 9/2015 Hayez D26/28

1 Claim, 4 Drawing Sheets



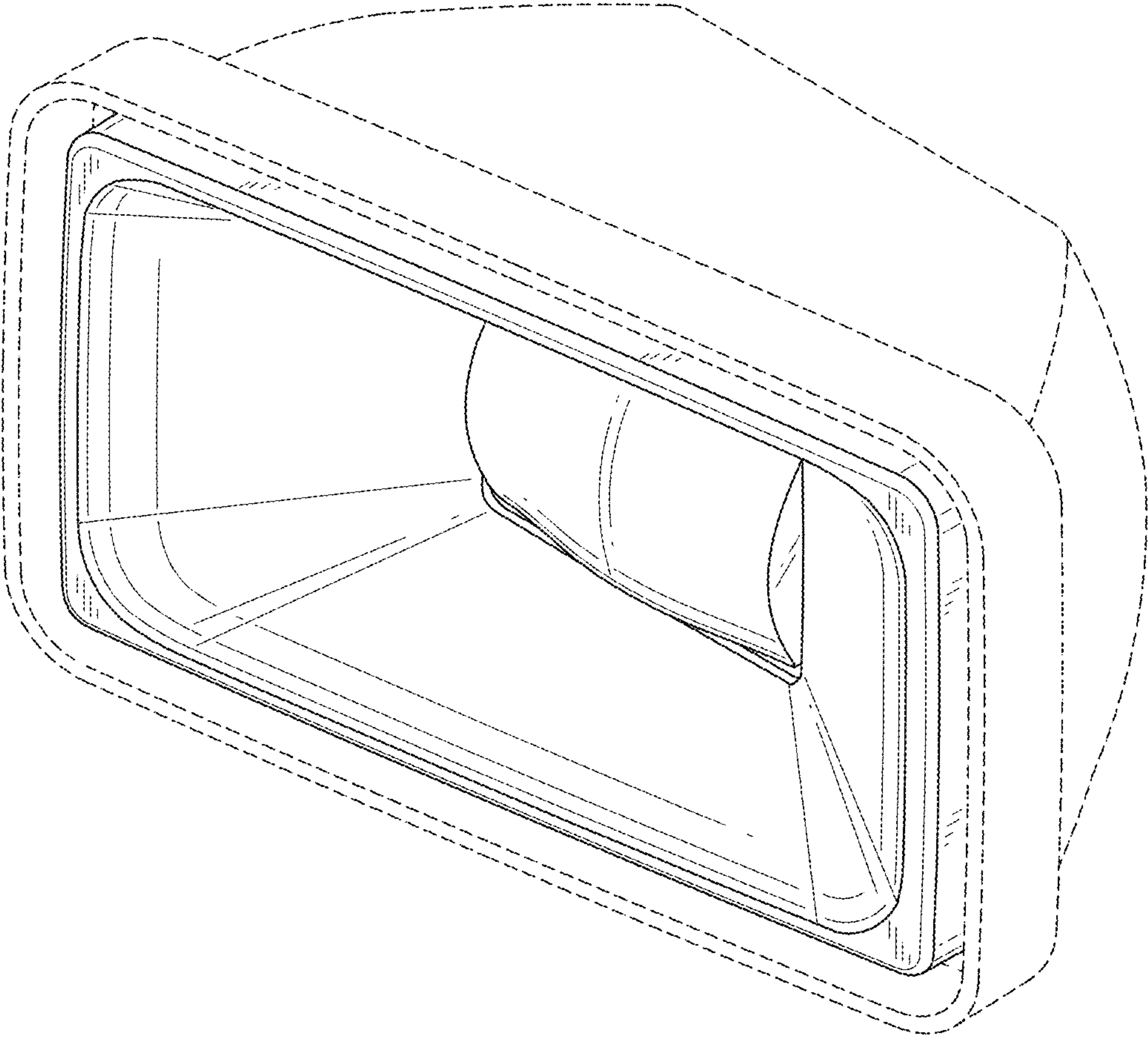


FIG. 1

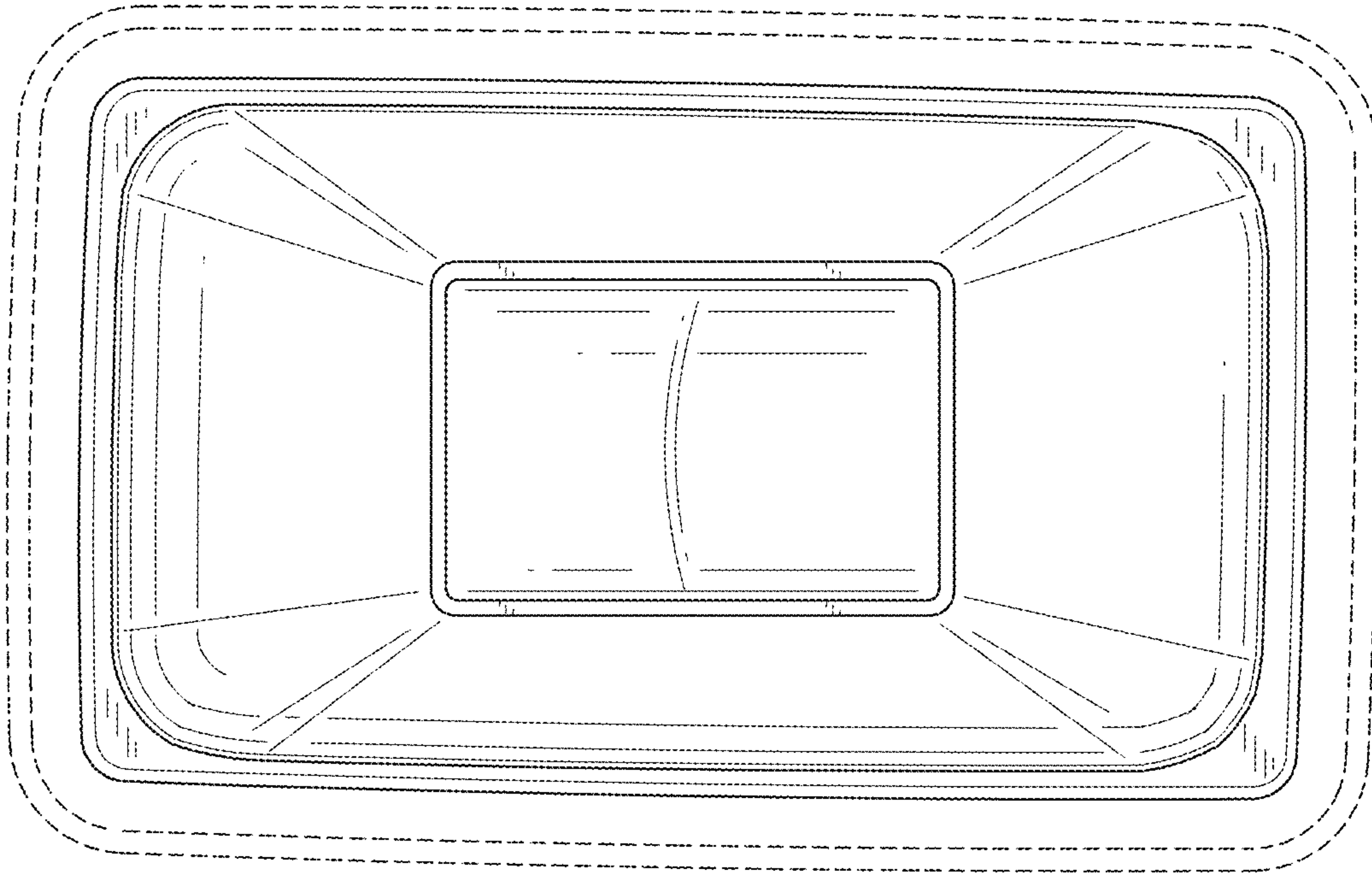


FIG. 2

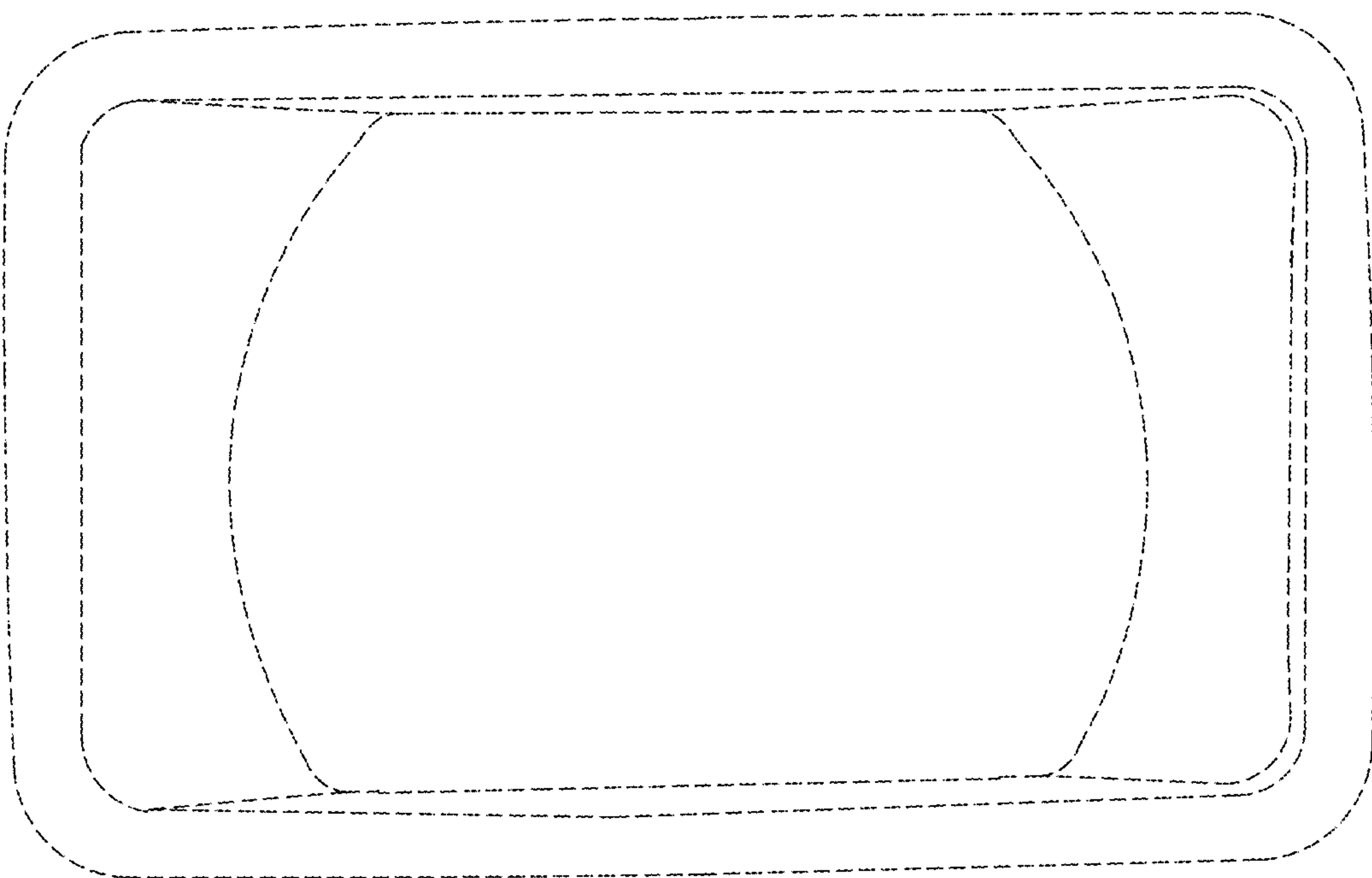


FIG. 3

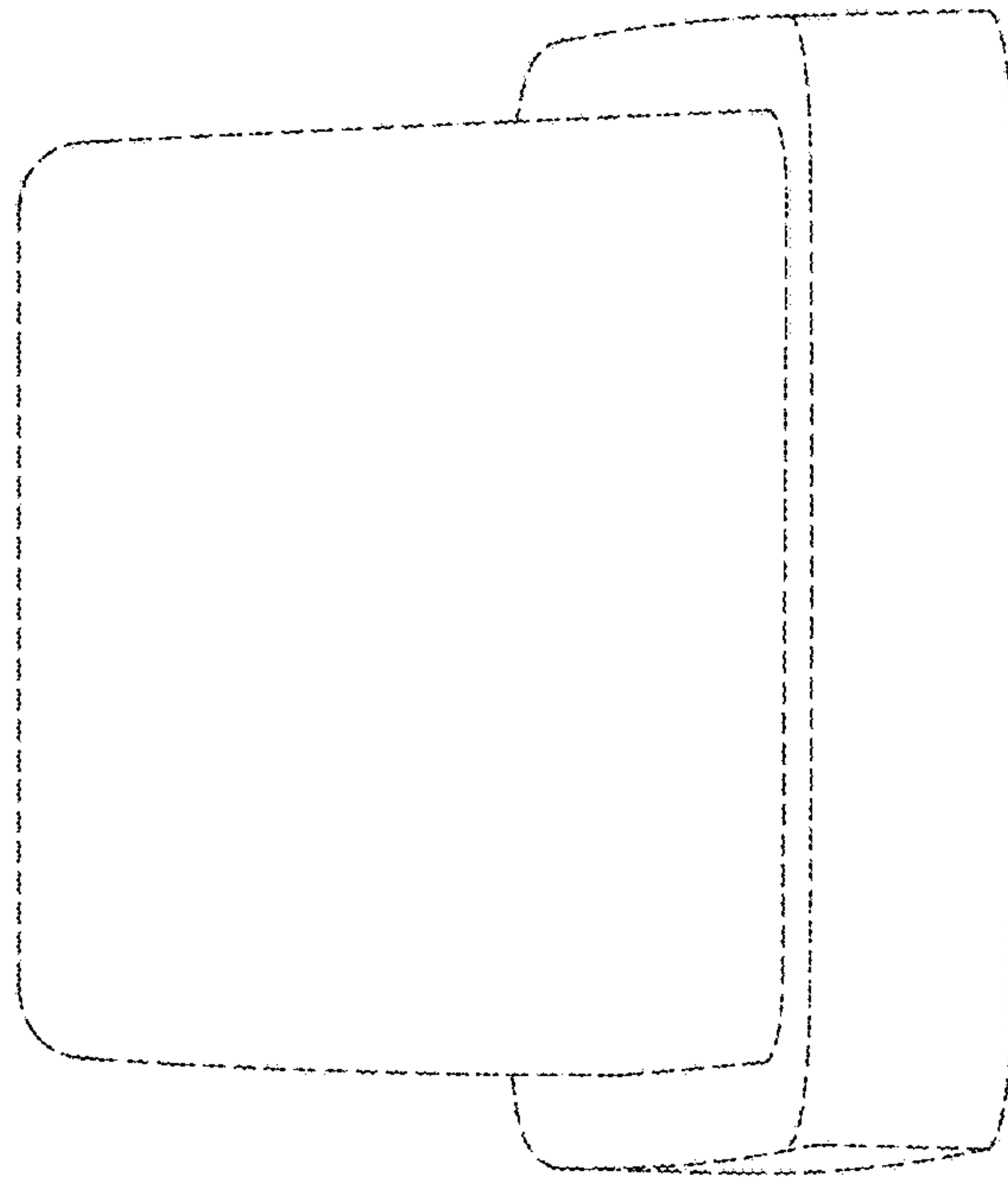


FIG. 4

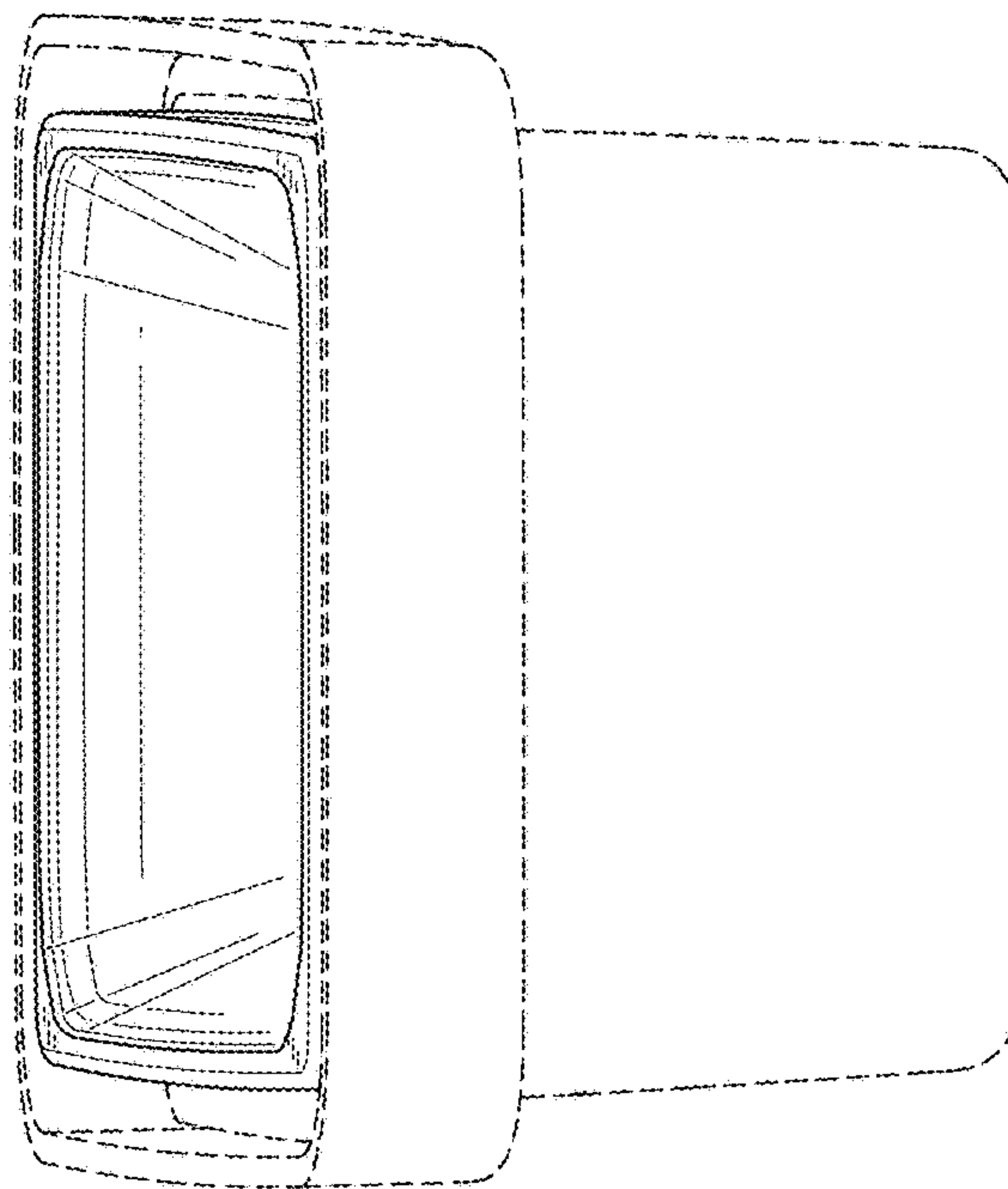


FIG. 5

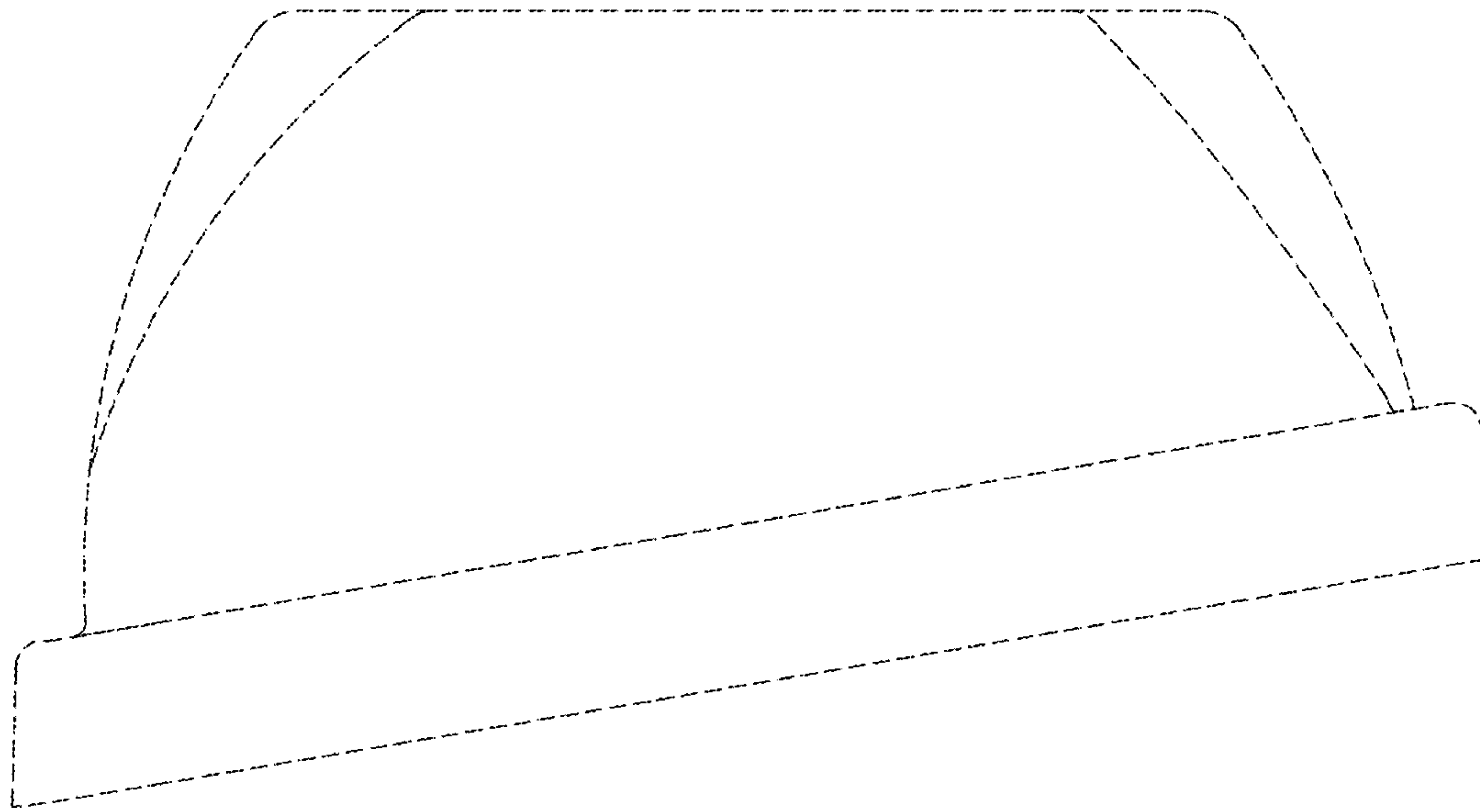


FIG. 6

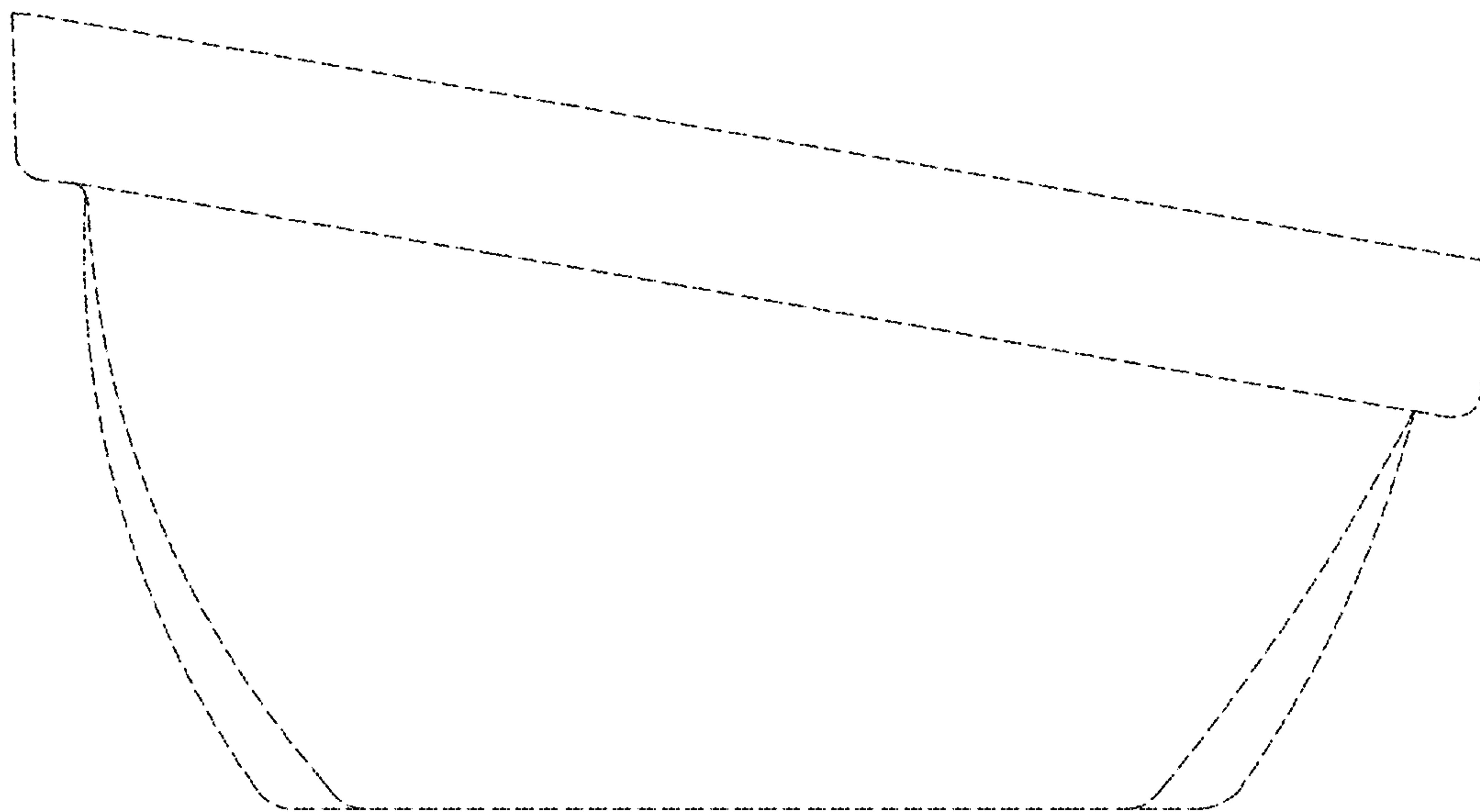


FIG. 7