



US00D821631S

(12) **United States Design Patent**
Gambrel et al.

(10) **Patent No.:** **US D821,631 S**
(45) **Date of Patent:** **** Jun. 26, 2018**

(54) **LIGHTING FIXTURE**

(71) Applicant: **The Urban Electric Company**, North Charleston, SC (US)
(72) Inventors: **Steven Gambrel**, New York, NY (US); **Michael Amato**, Johns Island, SC (US); **David Dawson**, Charleston, SC (US); **Jonathan Charpia**, Summerville, SC (US); **Christopher Roof**, Charleston, SC (US); **Joeangel Casanova**, North Charleston, SC (US); **Courtney Salsbury**, Mount Pleasant, SC (US); **Brianna Magagnoli**, North Charleston, SC (US)
(73) Assignee: **The Urban Electric Company**, North Charleston, SC (US)

(**) Term: **15 Years**

(21) Appl. No.: **29/608,978**

(22) Filed: **Jun. 27, 2017**

(51) **LOC (11) Cl.** **26-03**

(52) **U.S. Cl.**

USPC **D26/88**

(58) **Field of Classification Search**

USPC D26/72, 84, 85, 87, 88, 92, 107, 118,

D26/129, 132, 134, 136

CPC F21S 8/03; F21S 8/031; F21S 8/04; F21S

8/06; F21S 8/061; F21S 8/063; F21S

8/065

See application file for complete search history.

(56) **References Cited**

U.S. PATENT DOCUMENTS

D80,062	S	*	12/1929	Von Nessen	D26/130
D87,935	S	*	10/1932	Muench	D26/88
D89,305	S	*	2/1933	Hale	D26/88
D565,235	S	*	3/2008	Smith	D26/118
D596,779	S	*	7/2009	Silver	D26/88
D655,440	S	*	3/2012	Sabernig	D26/137

* cited by examiner

Primary Examiner — Clare E Heflin

(74) *Attorney, Agent, or Firm* — Jeffrey T. Stover;
Haynsworth Sinkler Boyd, P.A.

(57) **CLAIM**

The ornamental design for a lighting fixture, as shown and described.

DESCRIPTION

FIG. 1 is a top perspective view of a new lighting fixture;

FIG. 2 is a bottom perspective view thereof;

FIG. 3 is a front elevation view thereof.

FIG. 4 is a back elevational view thereof;

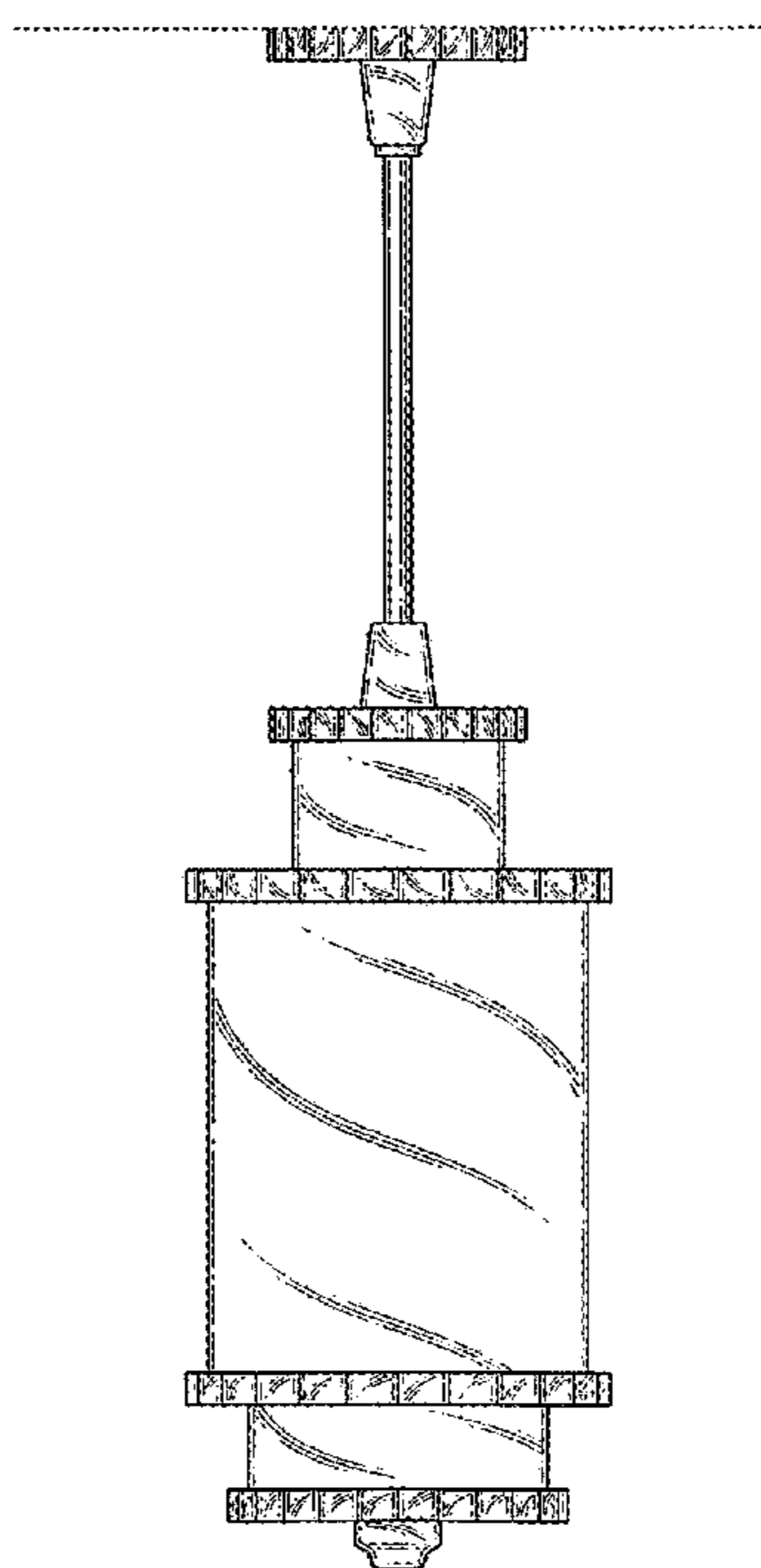
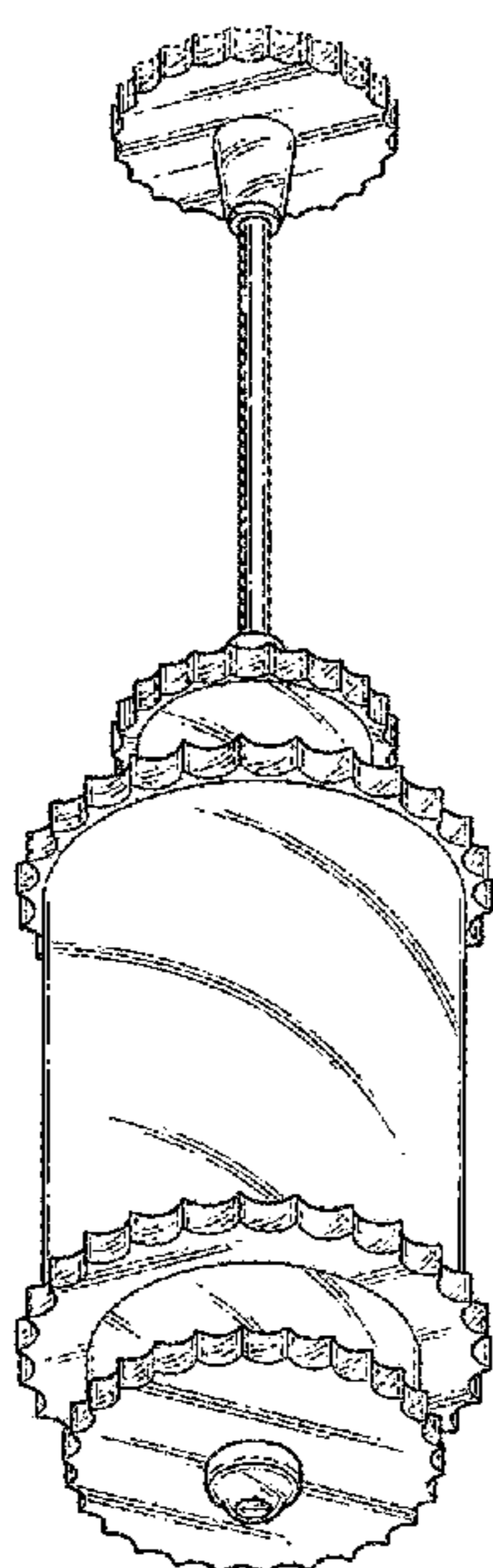
FIG. 5 is a left elevation view thereof;

FIG. 6 is a right elevation view thereof; and,

FIG. 7 is a bottom plan view thereof.

The broken line disclosure in the views represents portions of the fixture which form no part of the claimed design. The broken-line perimeter of the top surface of this lighting fixture is intended to demonstrate that no portion of this surface forms part of the claimed design.

1 Claim, 7 Drawing Sheets



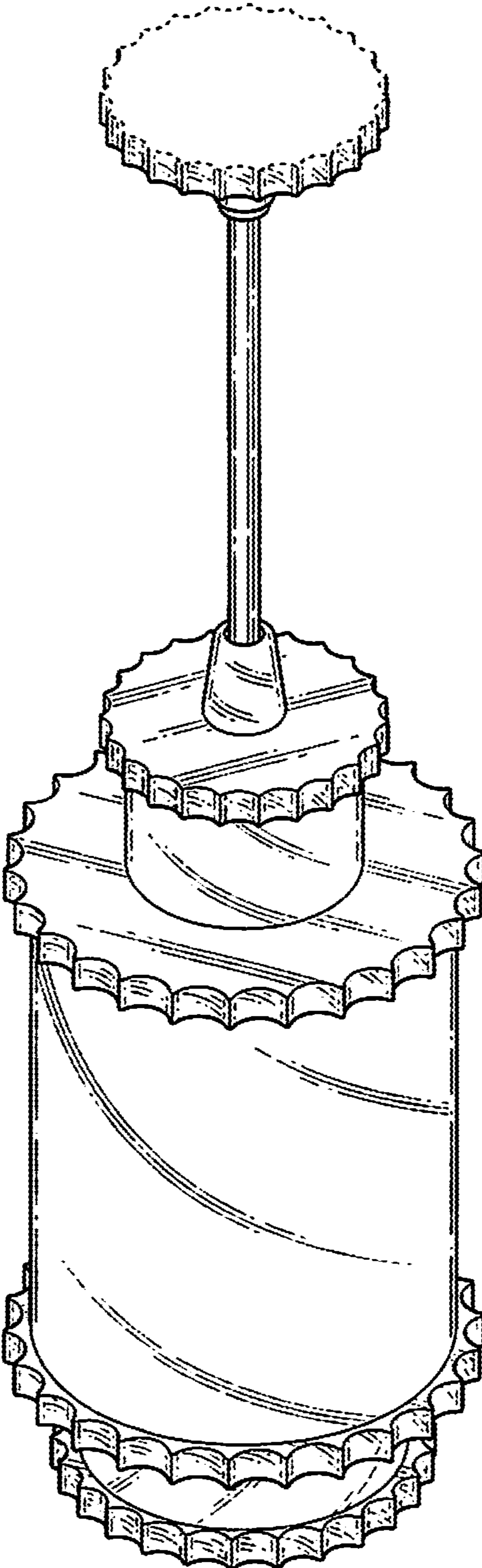


FIG. 1

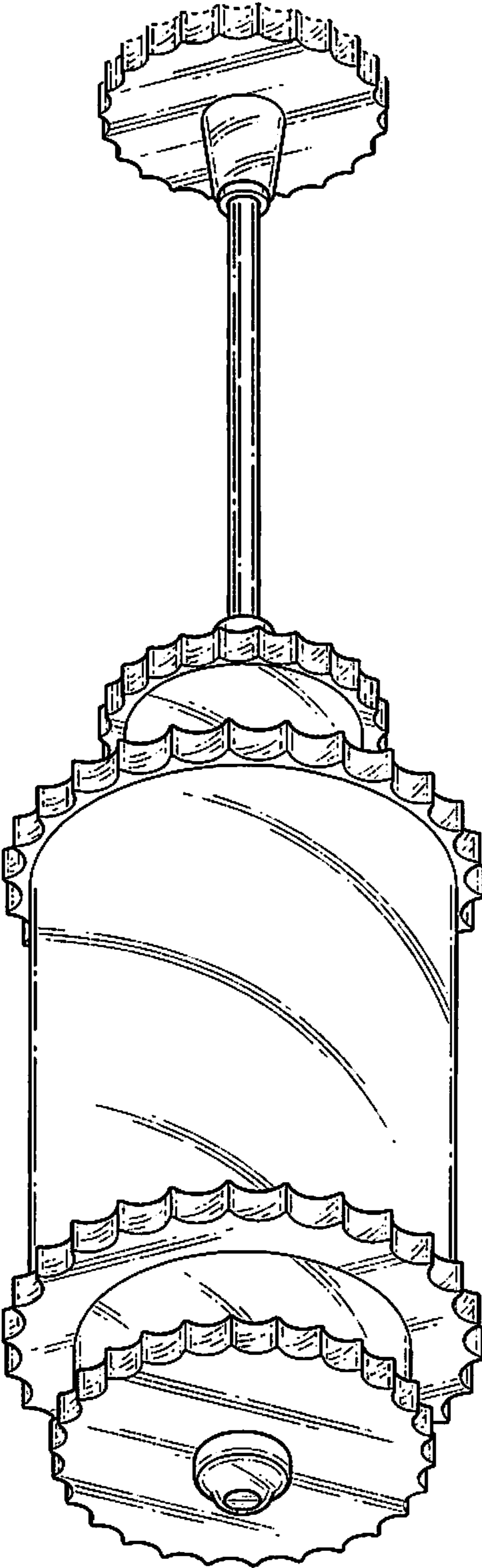


FIG. 2

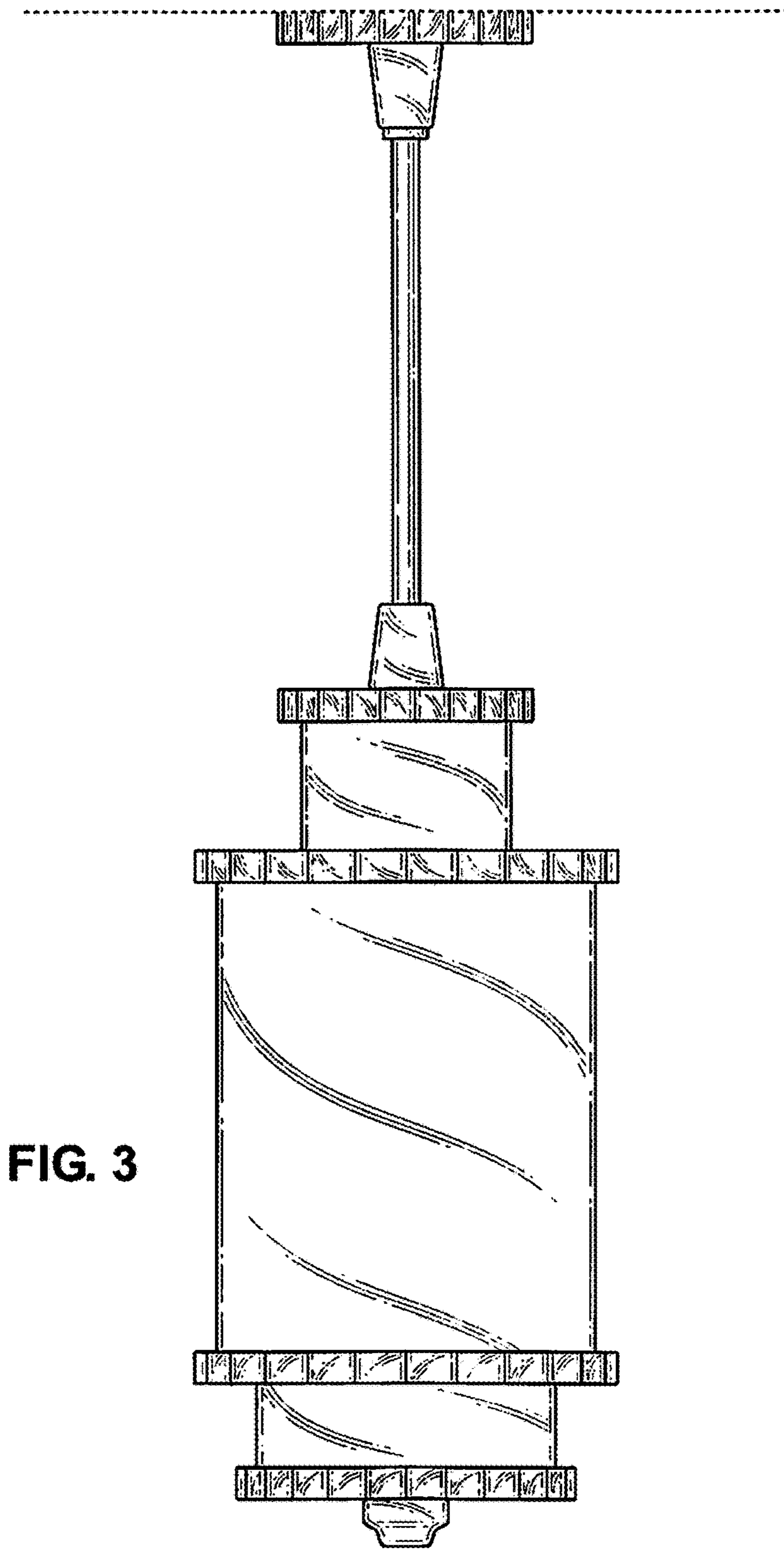


FIG. 3

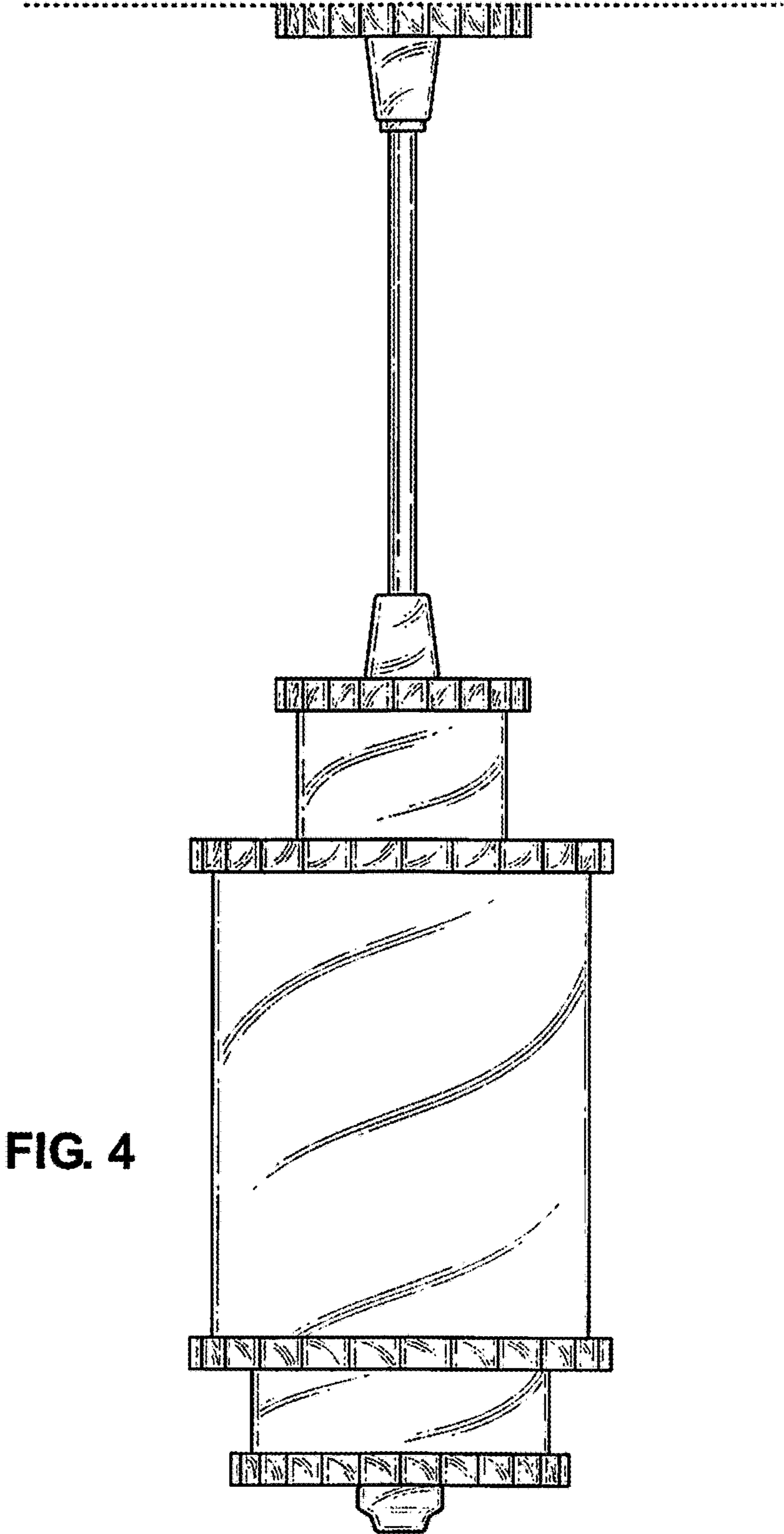


FIG. 4

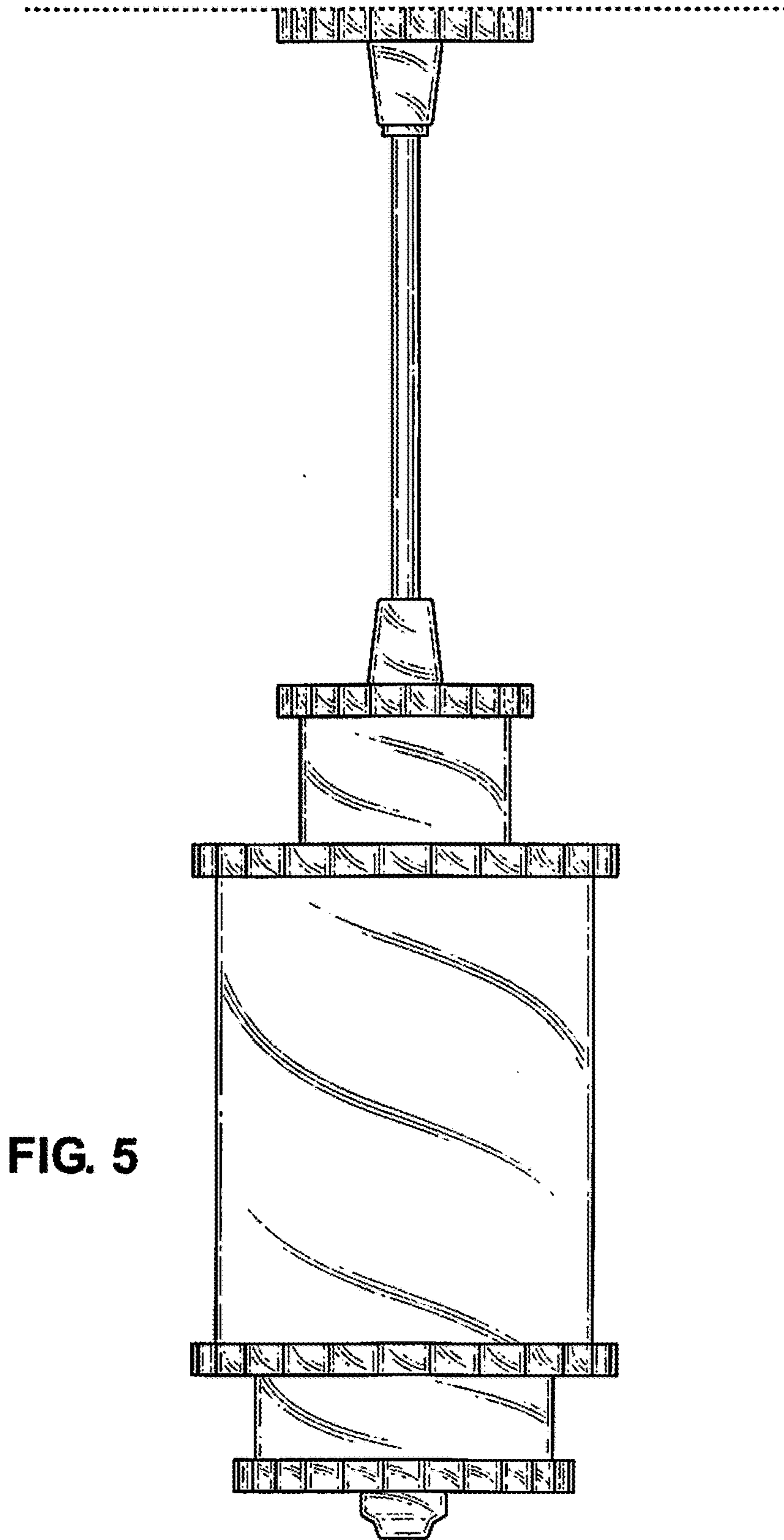


FIG. 5

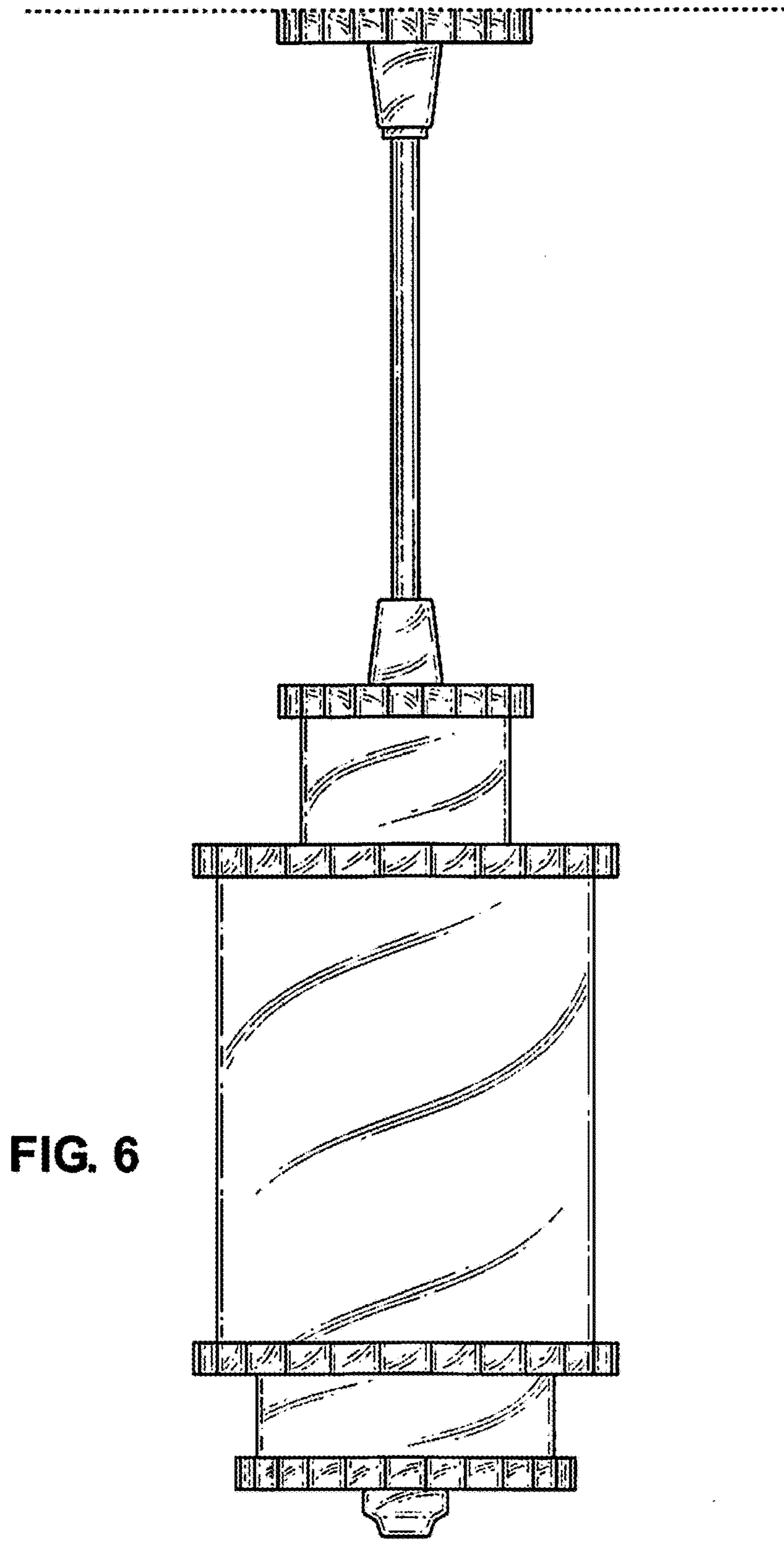


FIG. 6

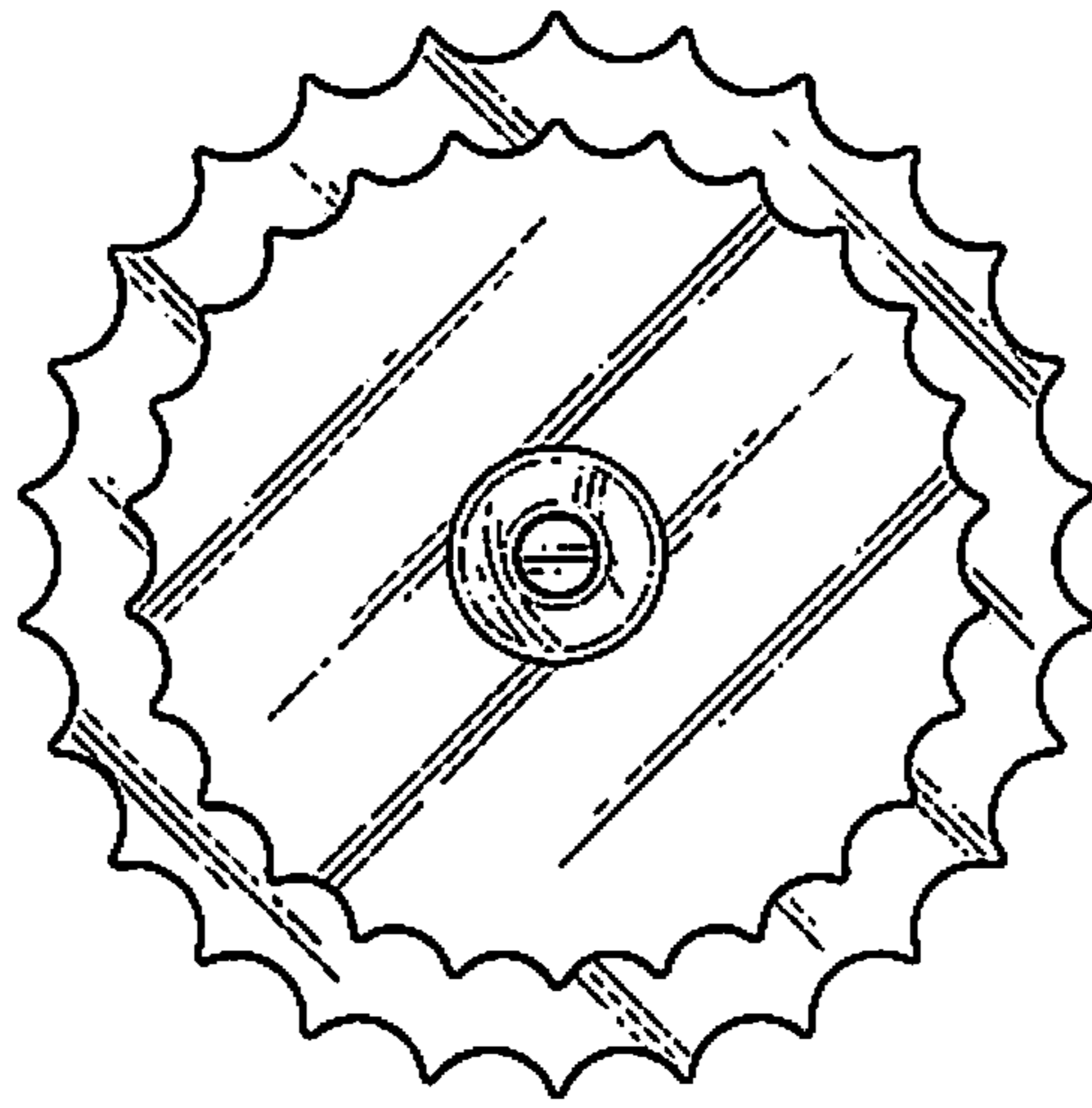


FIG. 7