



US00D821629S

(12) **United States Design Patent**  
**Amato et al.**

(10) **Patent No.:** **US D821,629 S**  
(45) **Date of Patent:** **\*\* Jun. 26, 2018**

(54) **LIGHTING FIXTURE**

(71) Applicant: **The Urban Electric Company**, North Charleston, SC (US)

(72) Inventors: **Michael Amato**, Johns Island, SC (US); **David Dawson**, Charleston, SC (US); **Jonathan Charpia**, Summerville, SC (US); **Christopher Roof**, Charleston, SC (US); **Joeangel Casanova**, North Charleston, SC (US); **Courteney Salsbury**, Mount Pleasant, SC (US); **Brianna Magagnoli**, Charleston, SC (US)

(73) Assignee: **The Urban Electric Company**, North Charleston, SC (US)

(\*\*) Term: **15 Years**

(21) Appl. No.: **29/574,369**

(22) Filed: **Aug. 15, 2016**

(51) **LOC (11) Cl.** ..... **26-03**

(52) **U.S. Cl.**  
USPC ..... **D26/87**

(58) **Field of Classification Search**  
USPC ..... D26/72, 85, 87, 92, 118, 120, 138, 142, D26/145, 155  
CPC .... F21S 8/03; F21S 8/033; F21S 8/035; F21S 8/036; F21S 8/037; F21V 1/146; F21V 3/0409; F21V 7/041; F21V 7/043; F21V 7/045; F21V 7/046; F21V 7/05; F21V 7/06

See application file for complete search history.

(56) **References Cited**

**U.S. PATENT DOCUMENTS**

D62,514 S \* 6/1923 Williamson ..... D26/92  
D65,920 S \* 11/1924 Monroe ..... D26/87  
D161,187 S \* 12/1950 Klepper ..... D26/128

D288,136 S \* 2/1987 Pfister ..... D26/87  
D309,955 S \* 8/1990 Gismondi ..... D26/87  
D367,936 S \* 3/1996 Kay ..... D26/87  
D439,364 S \* 3/2001 Avigor ..... D26/118  
D501,944 S \* 2/2005 Friedman ..... D26/87  
D559,426 S \* 1/2008 Hoernig ..... D26/87  
D561,927 S \* 2/2008 Hoernig ..... D26/87  
D574,992 S \* 8/2008 Citterio ..... D26/87  
D588,296 S \* 3/2009 Sabernig ..... D26/87  
D626,679 S \* 11/2010 Verelst ..... D26/85

**OTHER PUBLICATIONS**

Boudreaux Wall Light—Product No. ELK447619 from Elk Lighting. Found at lightology.com visited Feb. 1, 2018. (Year: 2018).\*

\* cited by examiner

*Primary Examiner* — Clare E Heflin

(74) *Attorney, Agent, or Firm* — Jeffrey T. Stover; Haynesworth Sinkler Boyd, P.A.

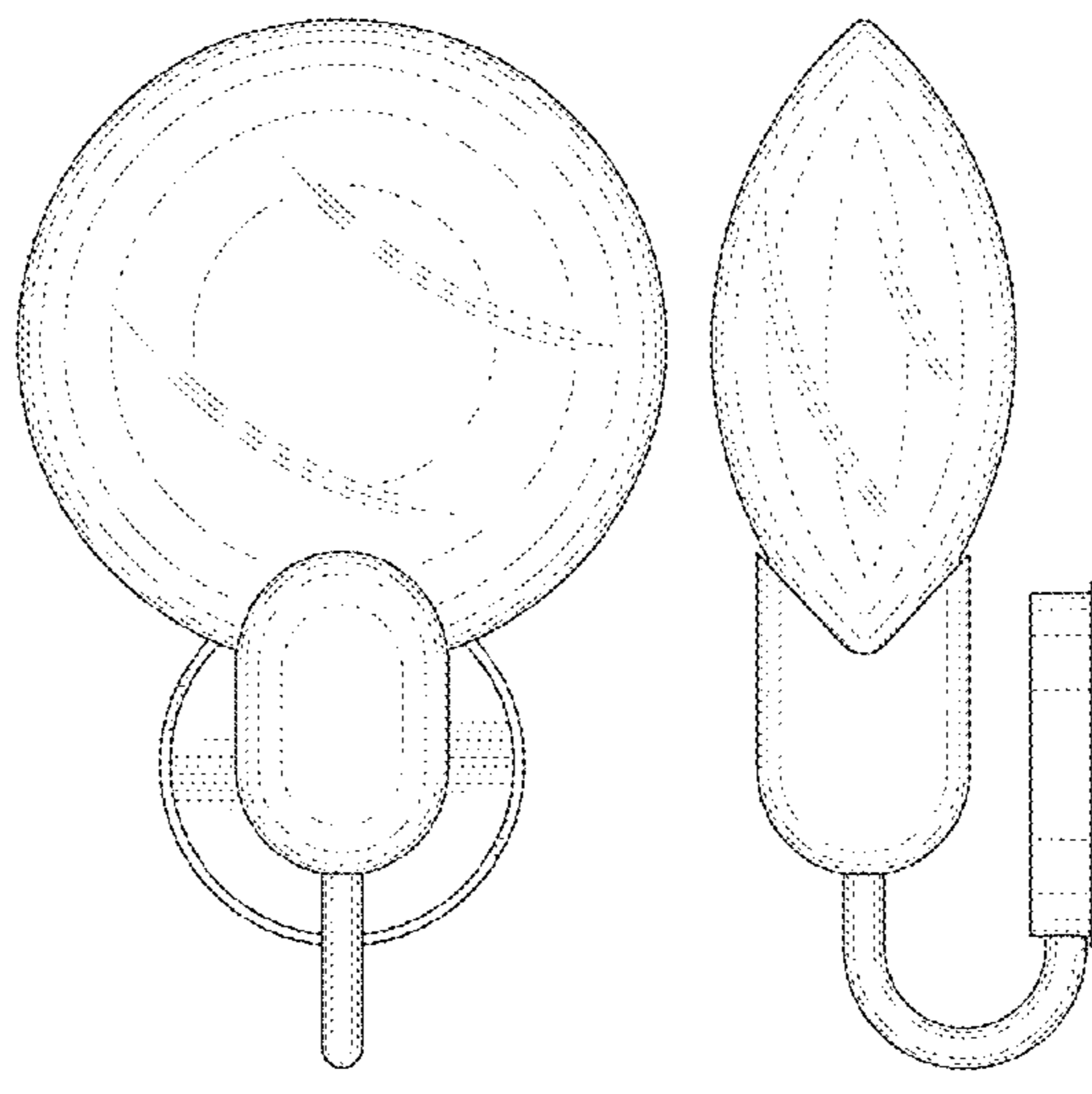
(57) **CLAIM**

The ornamental design for a lighting fixture, as shown and described.

**DESCRIPTION**

FIG. 1 is a top perspective view of a lighting fixture showing the new design;  
FIG. 2 is a front elevational view thereof;  
FIG. 3 is a back elevational view thereof.  
FIG. 4 is a right side elevational view thereof;  
FIG. 5 is a left side elevational view thereof;  
FIG. 6 is a top plan view thereof;  
FIG. 7 is a bottom plan view thereof; and,  
FIG. 8 is a top-rear perspective view thereof.  
The vertical broken line in FIGS. 4 and 5, and the horizontal broken line in FIGS. 6 and 7 represent environment that forms no part of the claimed design. The broken lines in FIGS. 3 and 8 represent the rear surface of the wall mount which forms no part of the claimed design.

**1 Claim, 8 Drawing Sheets**



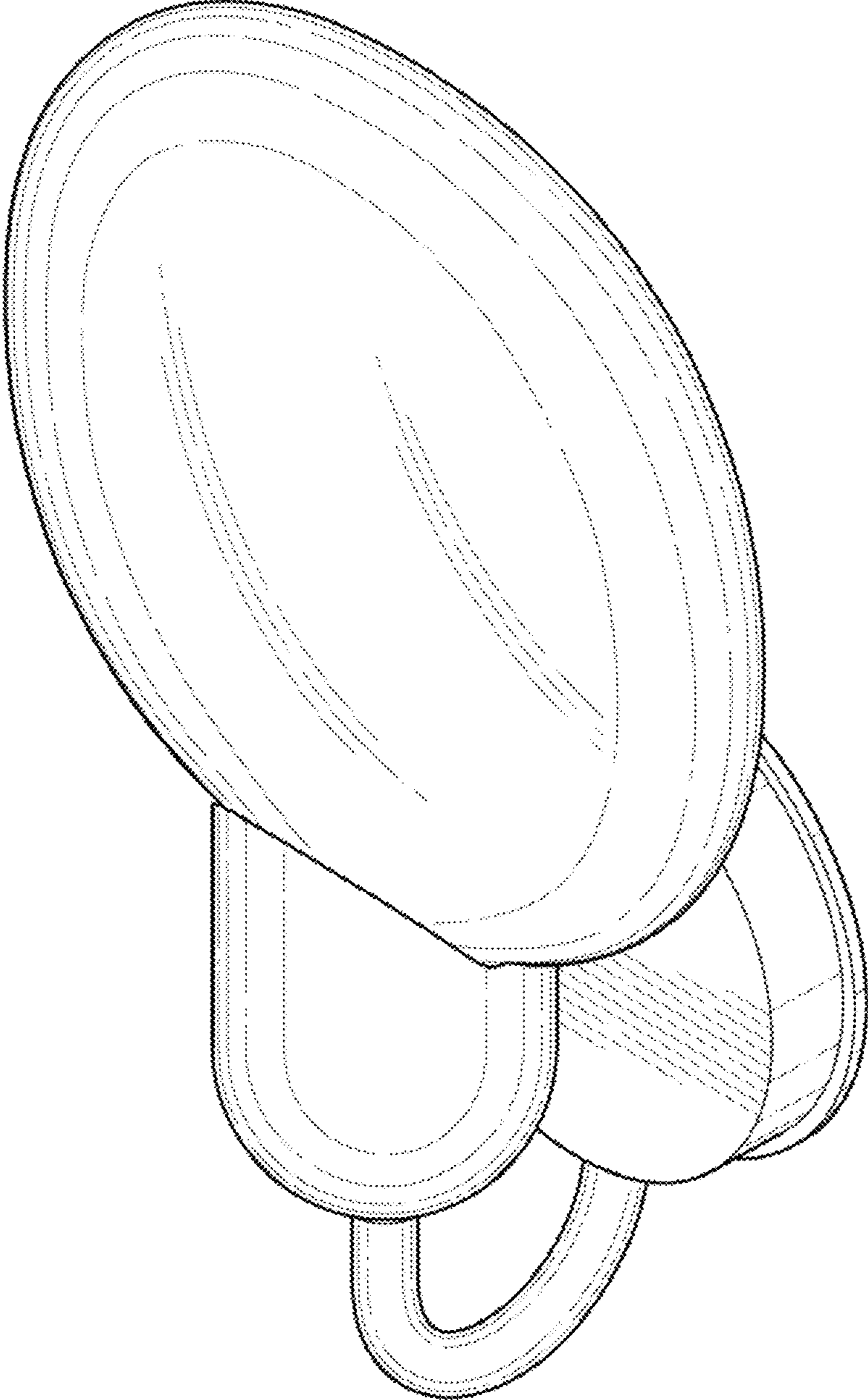


FIG. 1

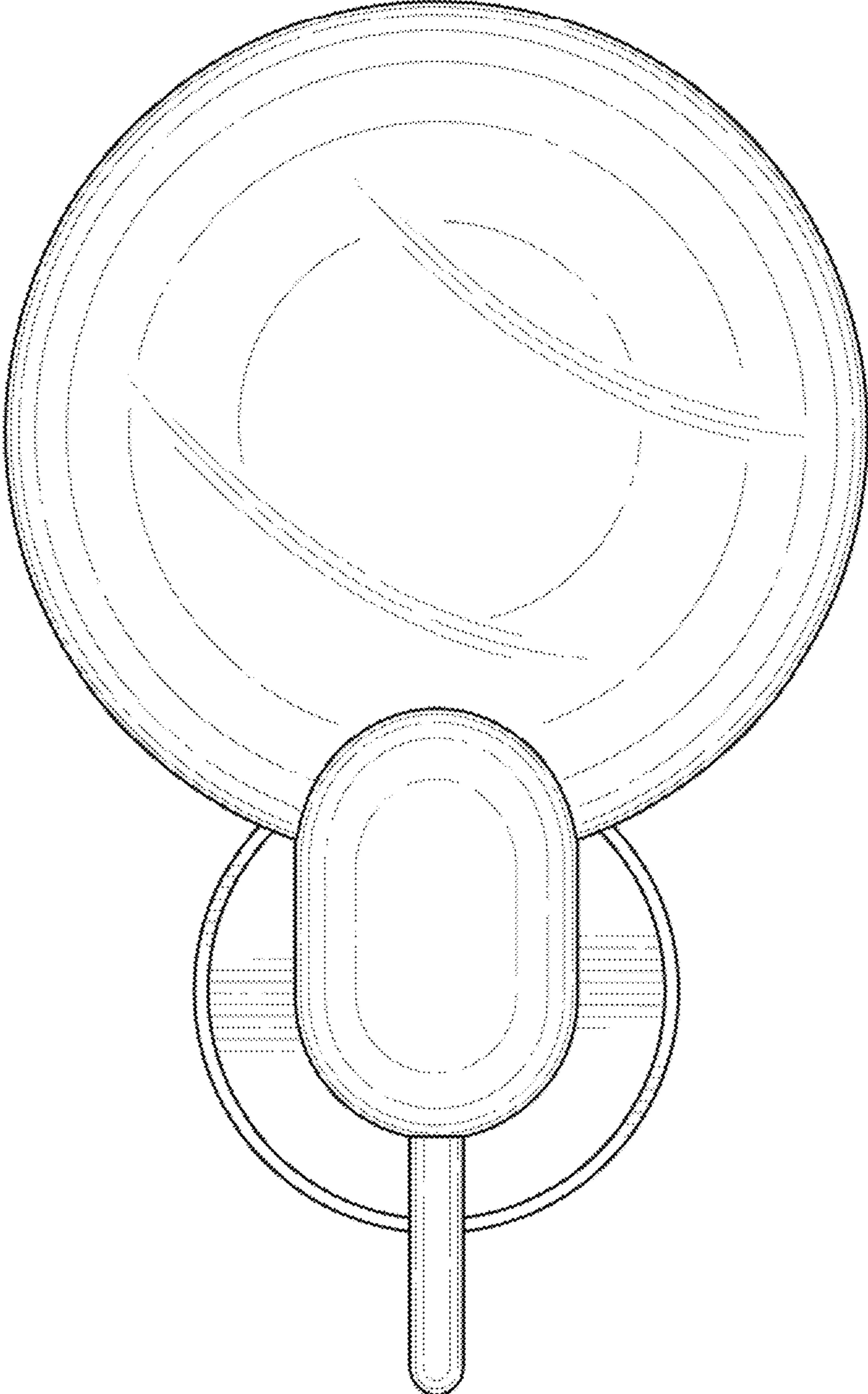


FIG. 2

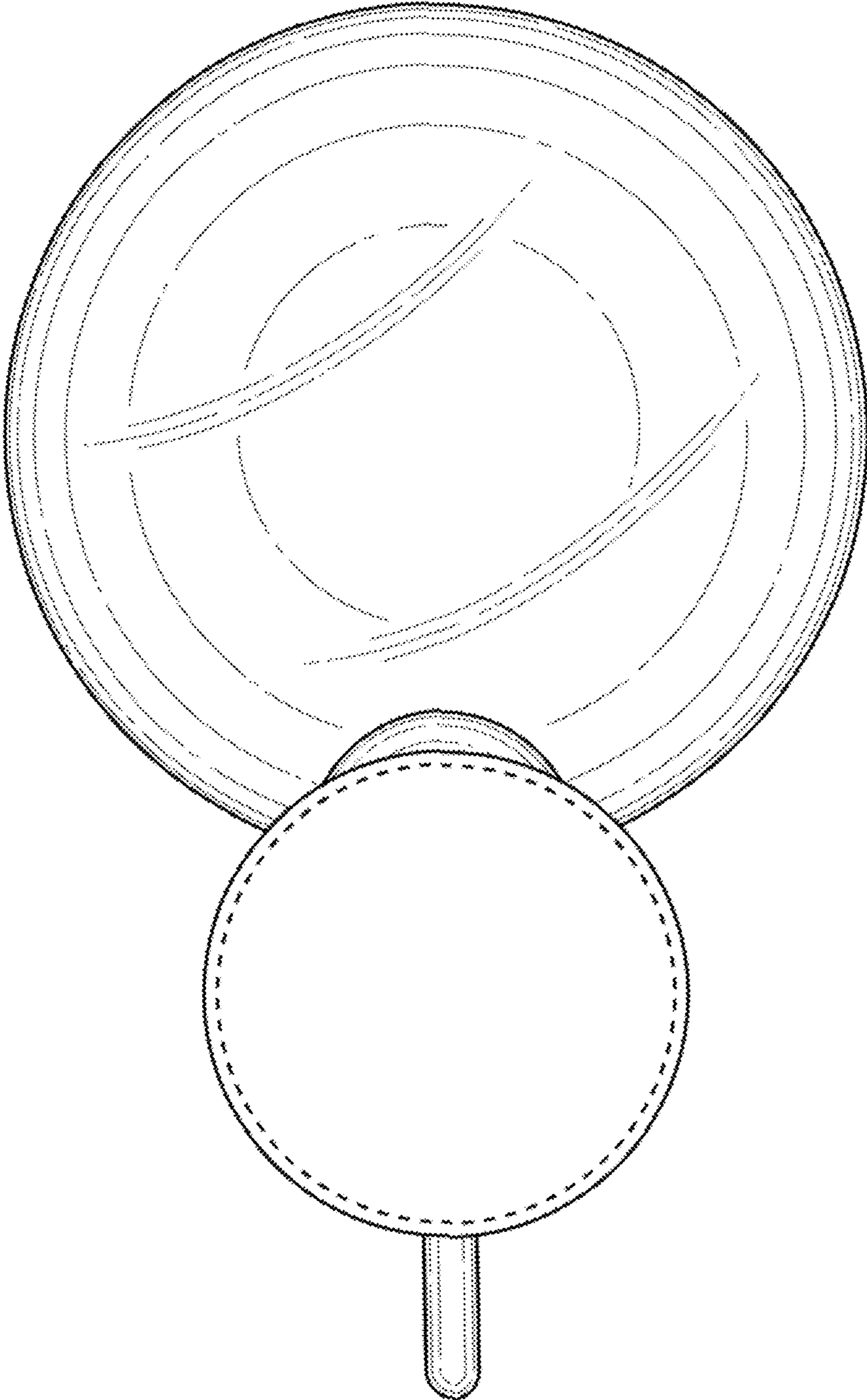


FIG. 3

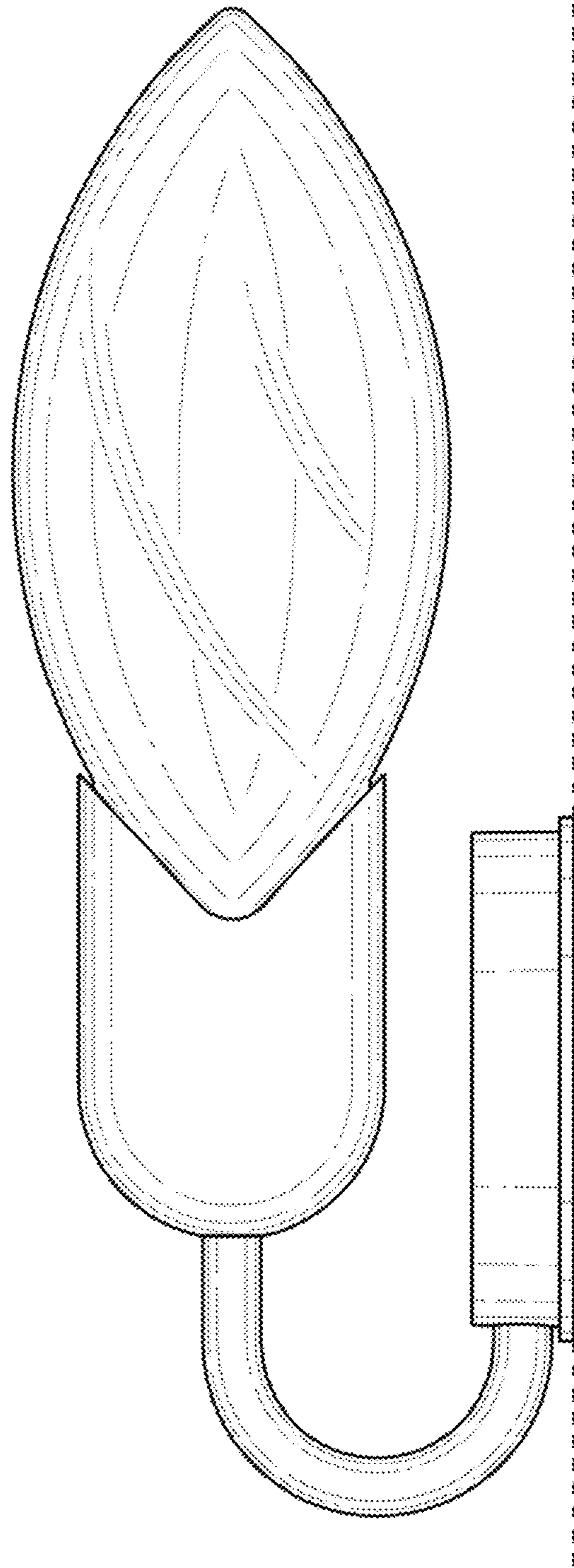


FIG. 4

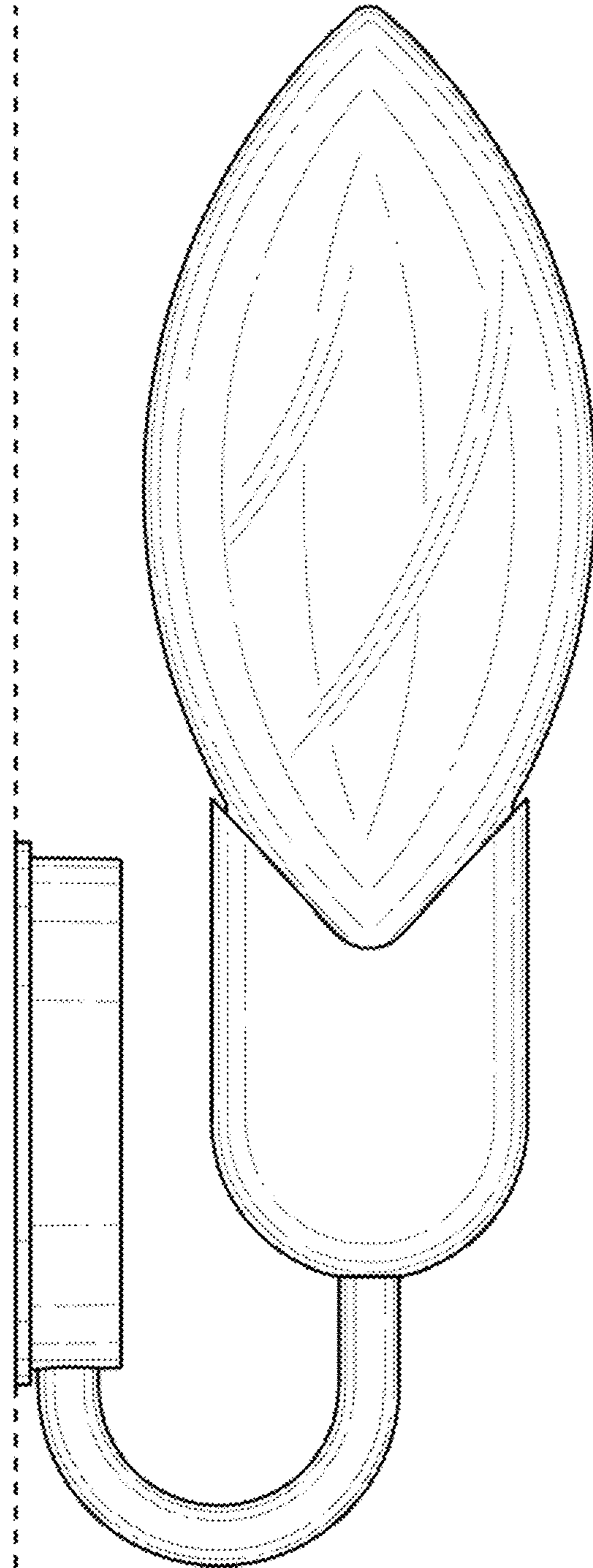


FIG. 5

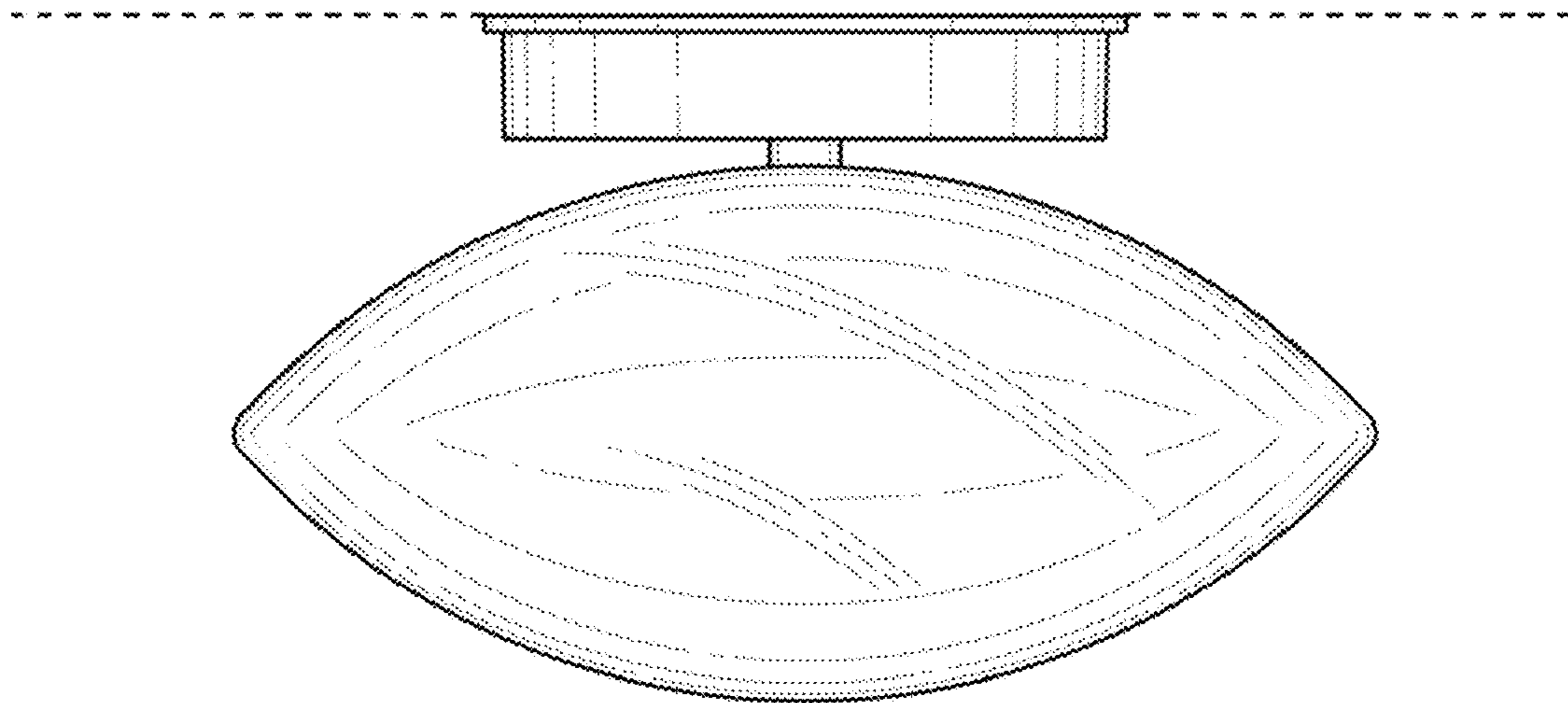


FIG. 6

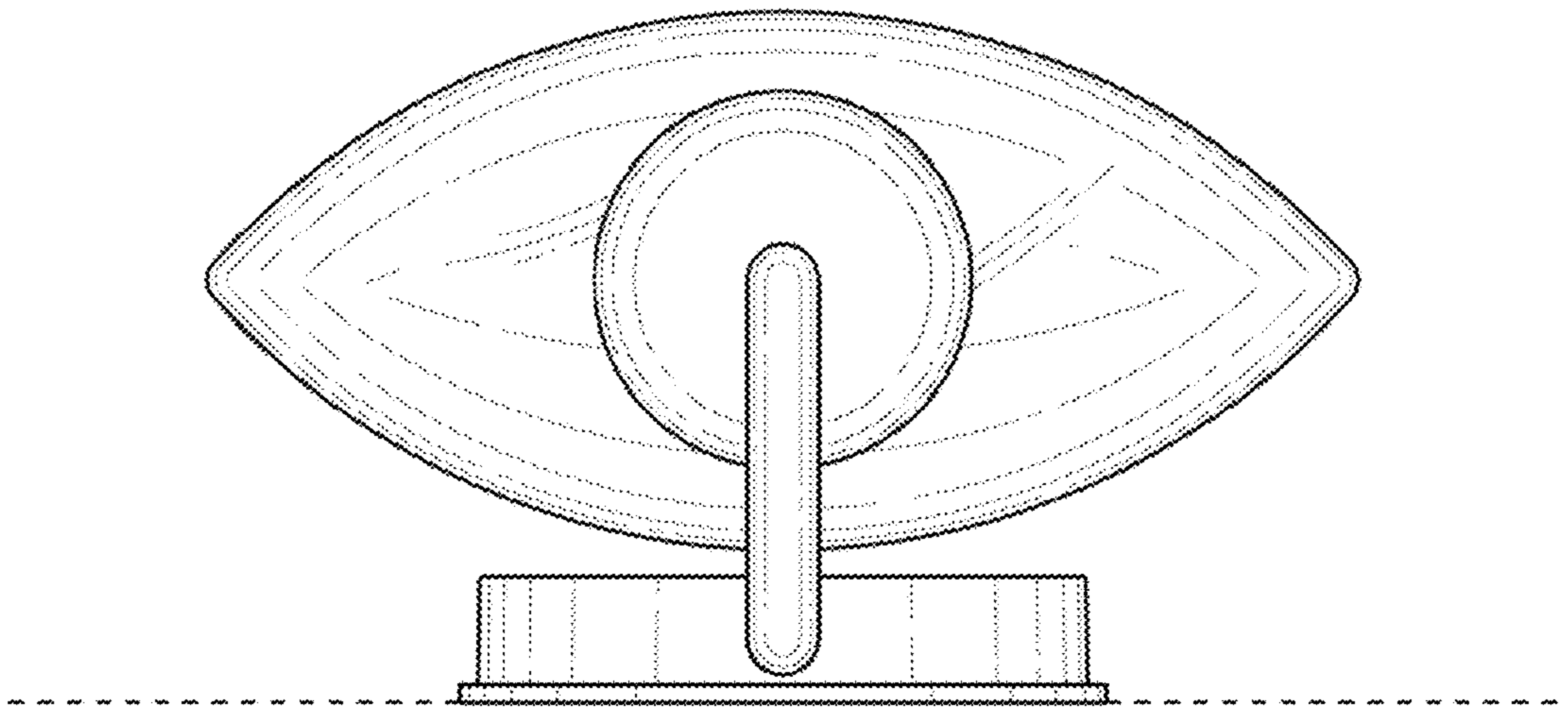


FIG. 7



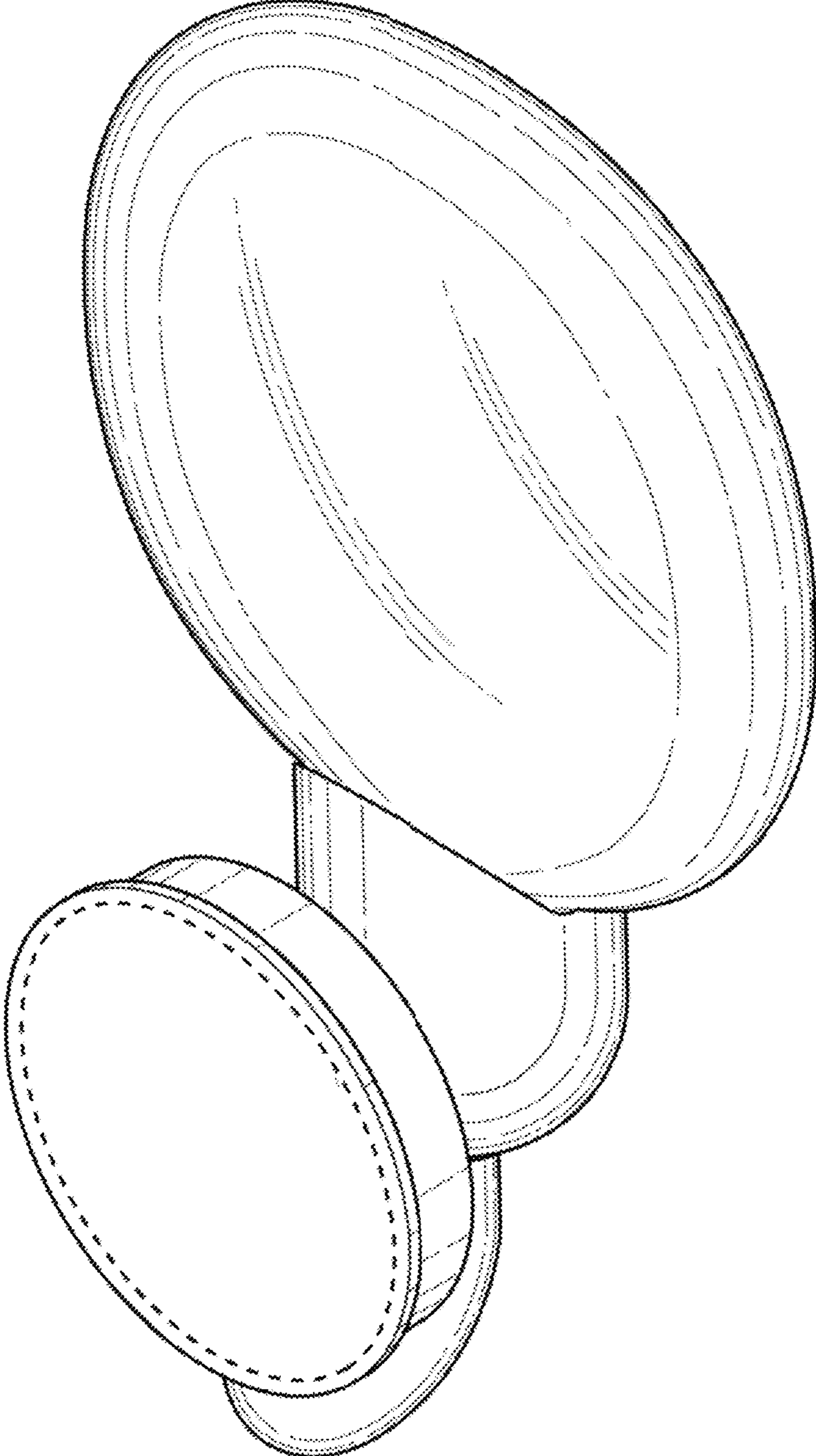


FIG. 8